



US00D346679S

United States Patent [19]

[11] Patent Number: **Des. 346,679**

Bradd et al.

[45] Date of Patent: **** May 3, 1994**

[54] **CARPET CLEANER**

[75] Inventors: **Sidney H. Bradd, Solon; Milton G. Kieft; Gerald L. Melegari, both of North Canton, all of Ohio**

[73] Assignee: **The Hoover Company, North Canton, Ohio**

[**] Term: **14 Years**

[21] Appl. No.: **7,693**

[22] Filed: **Apr. 28, 1993**

D. 222,092	9/1971	Burgoon	D32/19
D. 238,849	2/1976	Jones .	
D. 252,150	6/1979	Webb	D32/15
D. 253,471	11/1979	Bothum et al.	D15/53
D. 274,380	6/1984	Palmer	D32/16
D. 295,566	5/1988	Hetherington et al.	D32/21
D. 298,479	11/1988	Jacobs et al.	D32/16
D. 309,202	7/1990	Yuen	D32/18
3,939,527	2/1976	Jones	15/353
3,964,925	6/1976	Burgoon	134/21
3,974,541	8/1976	Silvis et al.	15/320

Primary Examiner—Ruth McInroy

Related U.S. Application Data

[63] Continuation of Ser. No. 632,514, Dec. 24, 1990, abandoned.

[52] U.S. Cl. **D32/22; D32/21**

[58] Field of Search 15/320, 321, 340.2-340.4, 15/49.1, 50.1, 50.3, 52.1, 78, 79.1, 79.2, 82, 87; D32/1, 15-16, 19-22

[57] **CLAIM**

The ornamental design for a carpet cleaner, as shown and described.

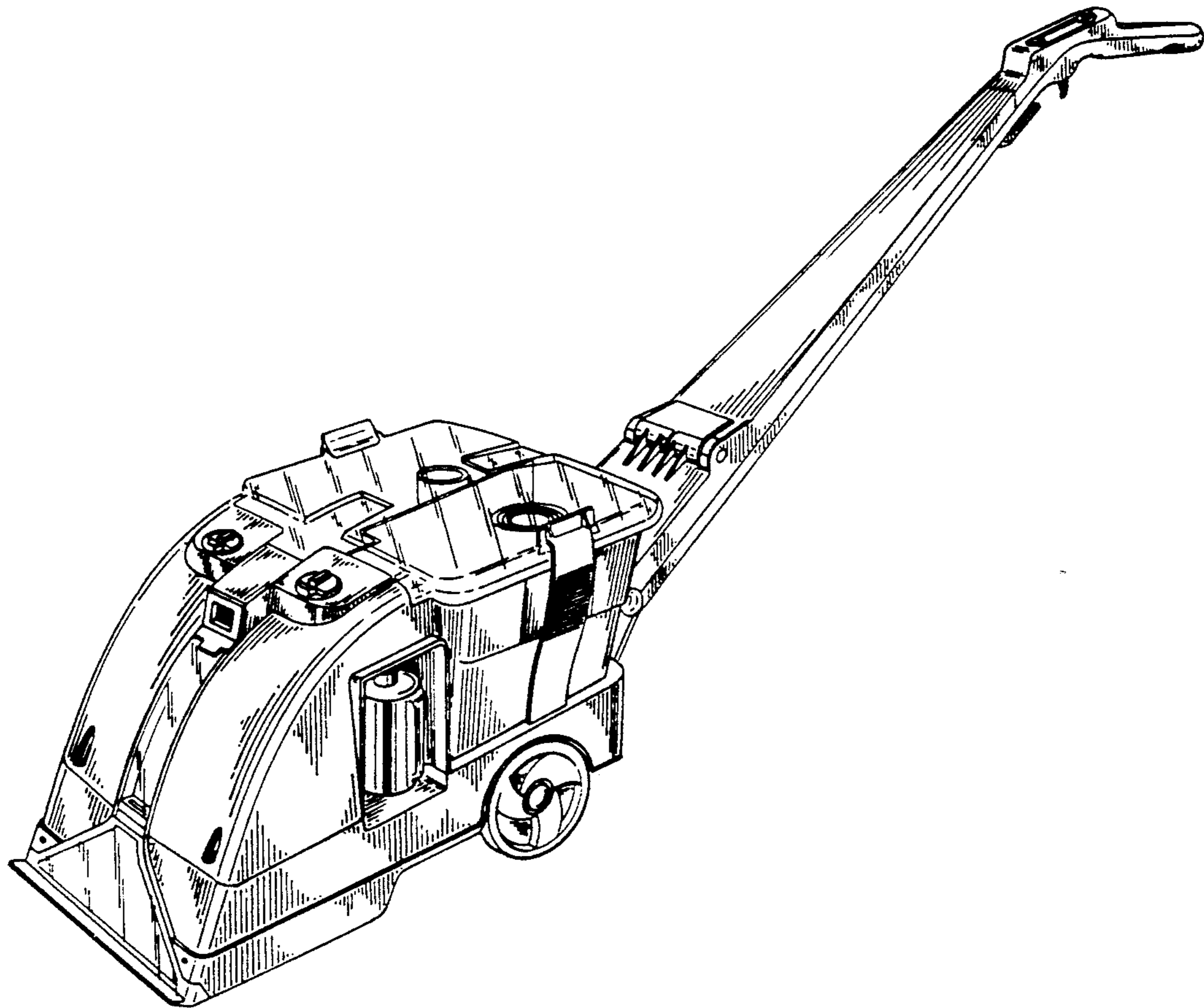
DESCRIPTION

FIG. 1 is a top, front and right side perspective view of a carpet cleaner showing my new design;
 FIG. 2 is a right side elevational view thereof, with the handle in a folded position;
 FIG. 3 is a left side elevational view thereof, with the handle in a folded position;
 FIG. 4 is a partial front elevational view thereof;
 FIG. 5 is a partial top plan view thereof;
 FIG. 6 is a rear elevational view thereof, with the handle showing broken away for ease of illustration; and,
 FIG. 7 is a partial bottom plan view thereof.

References Cited

U.S. PATENT DOCUMENTS

D. 43,295	11/1912	Wright .	
D. 47,020	3/1915	Boyer .	
D. 212,246	9/1968	Schowalter	D32/19
D. 219,348	12/1970	Anderson	D32/15



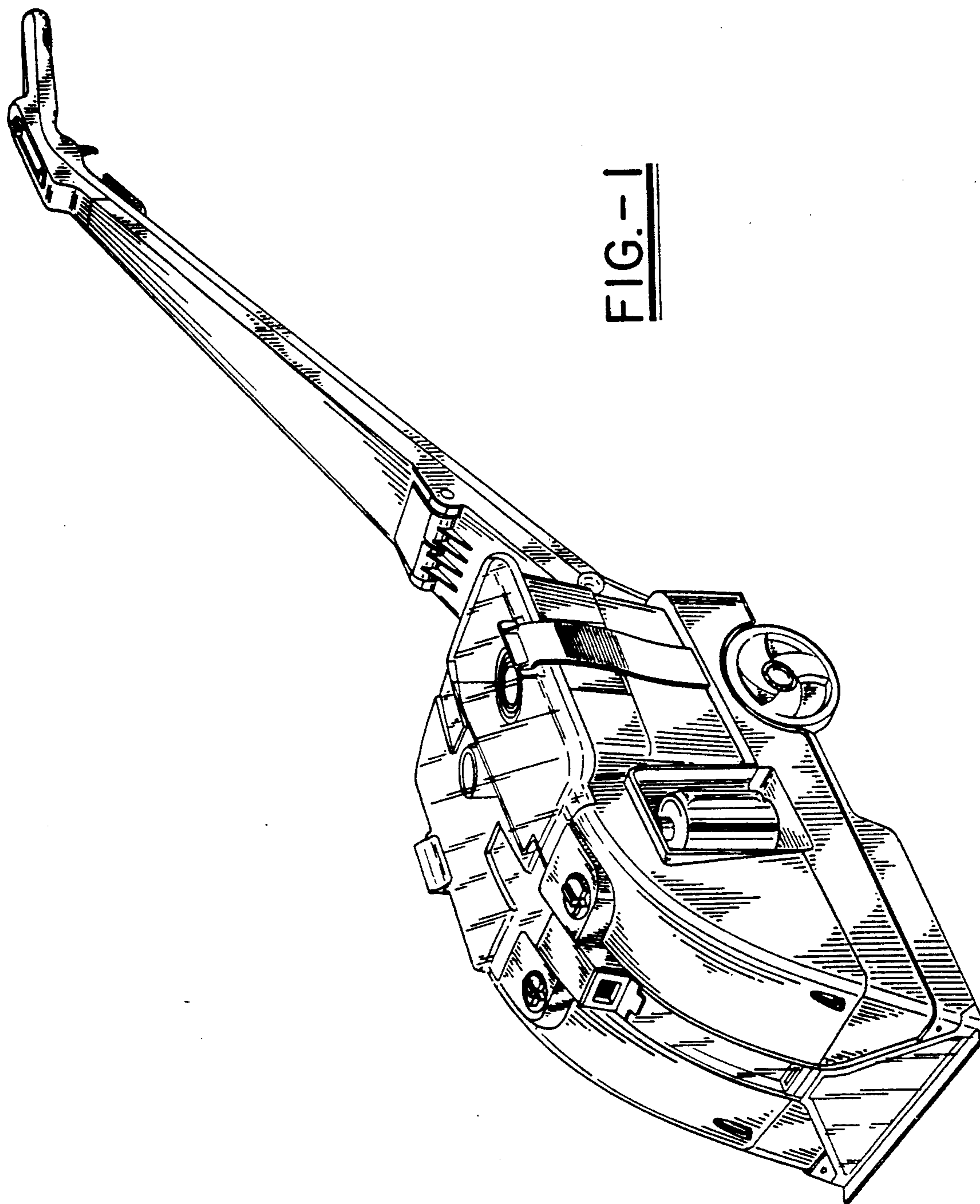


FIG.-1

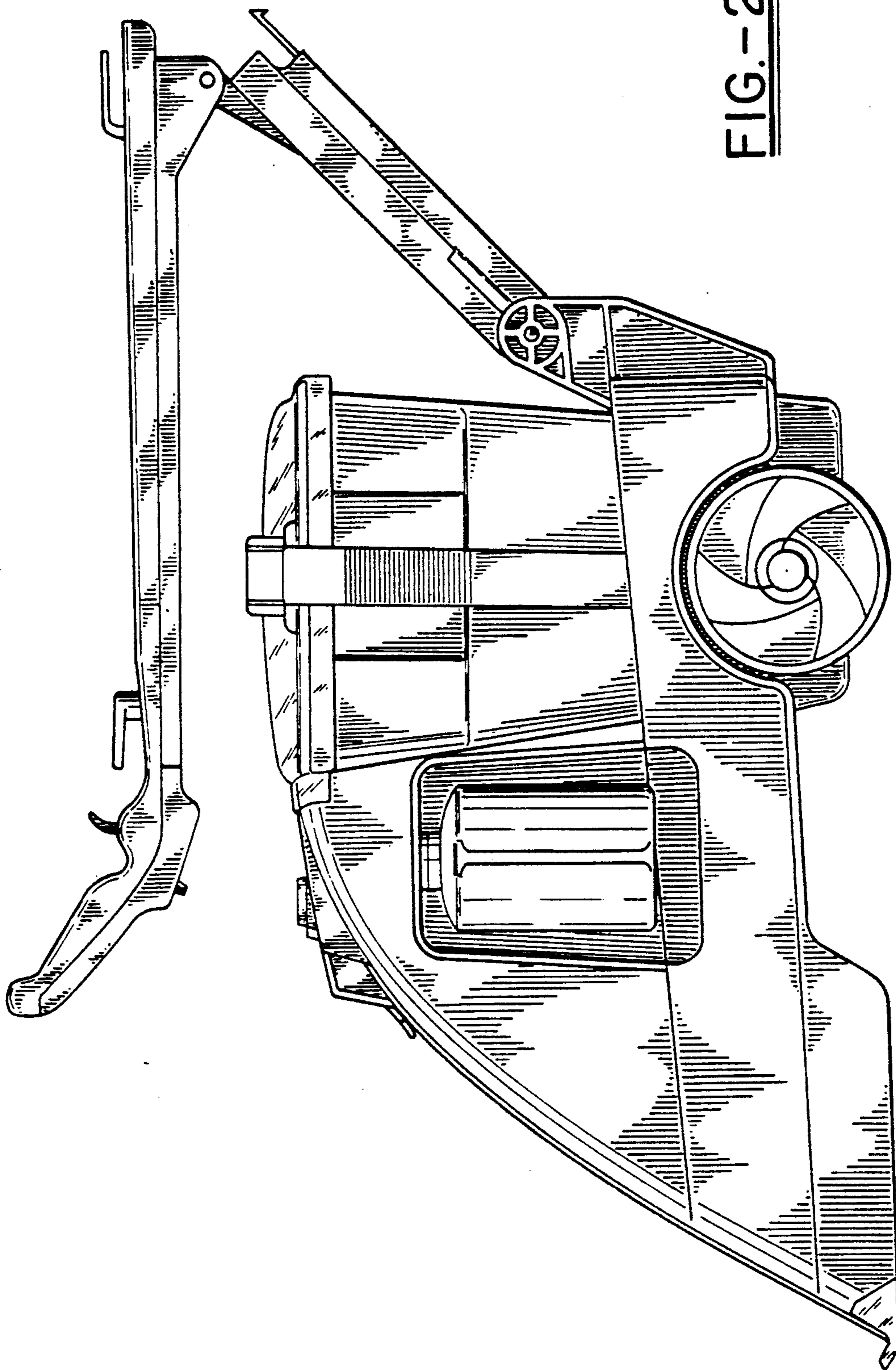


FIG.-2

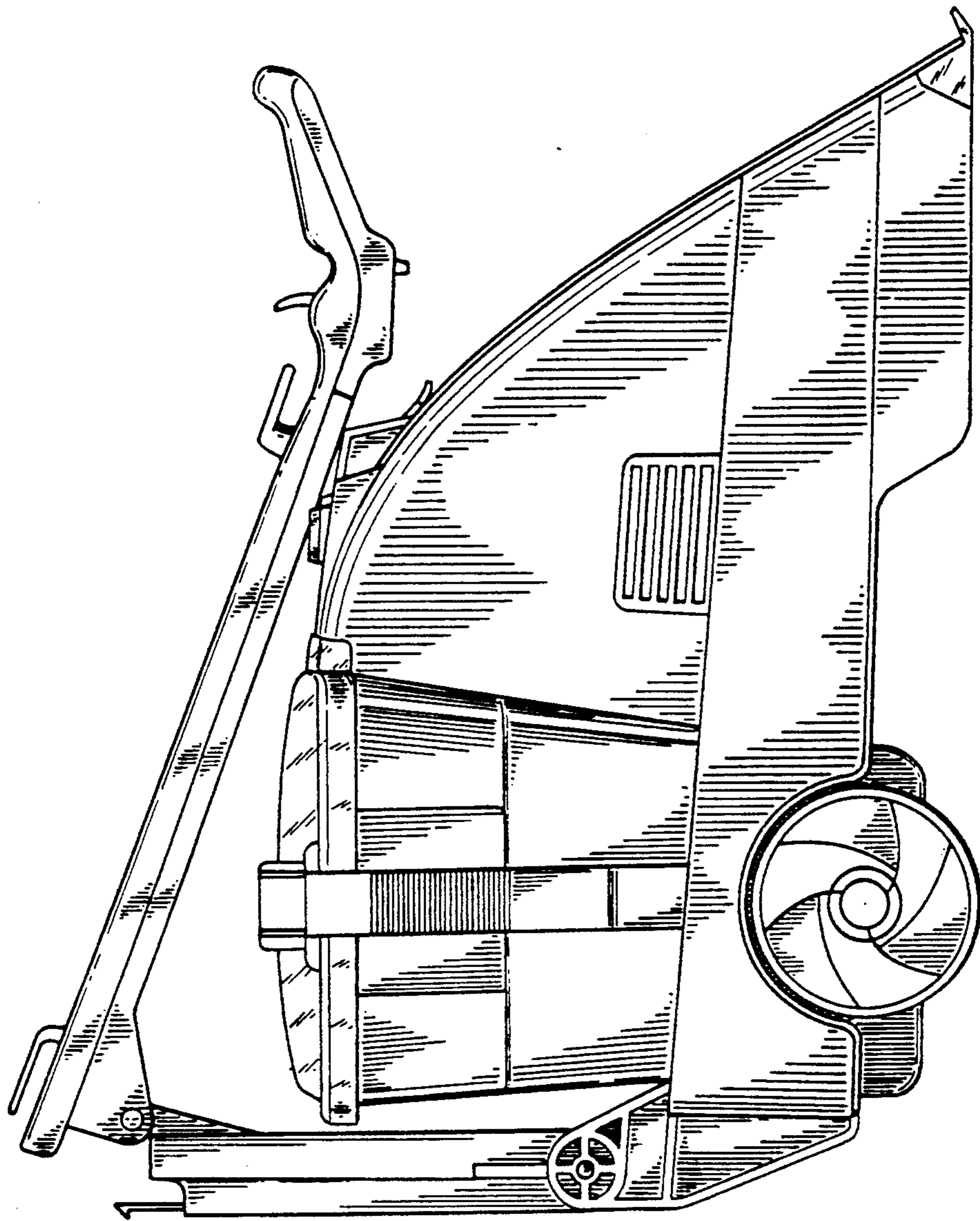


FIG.-3

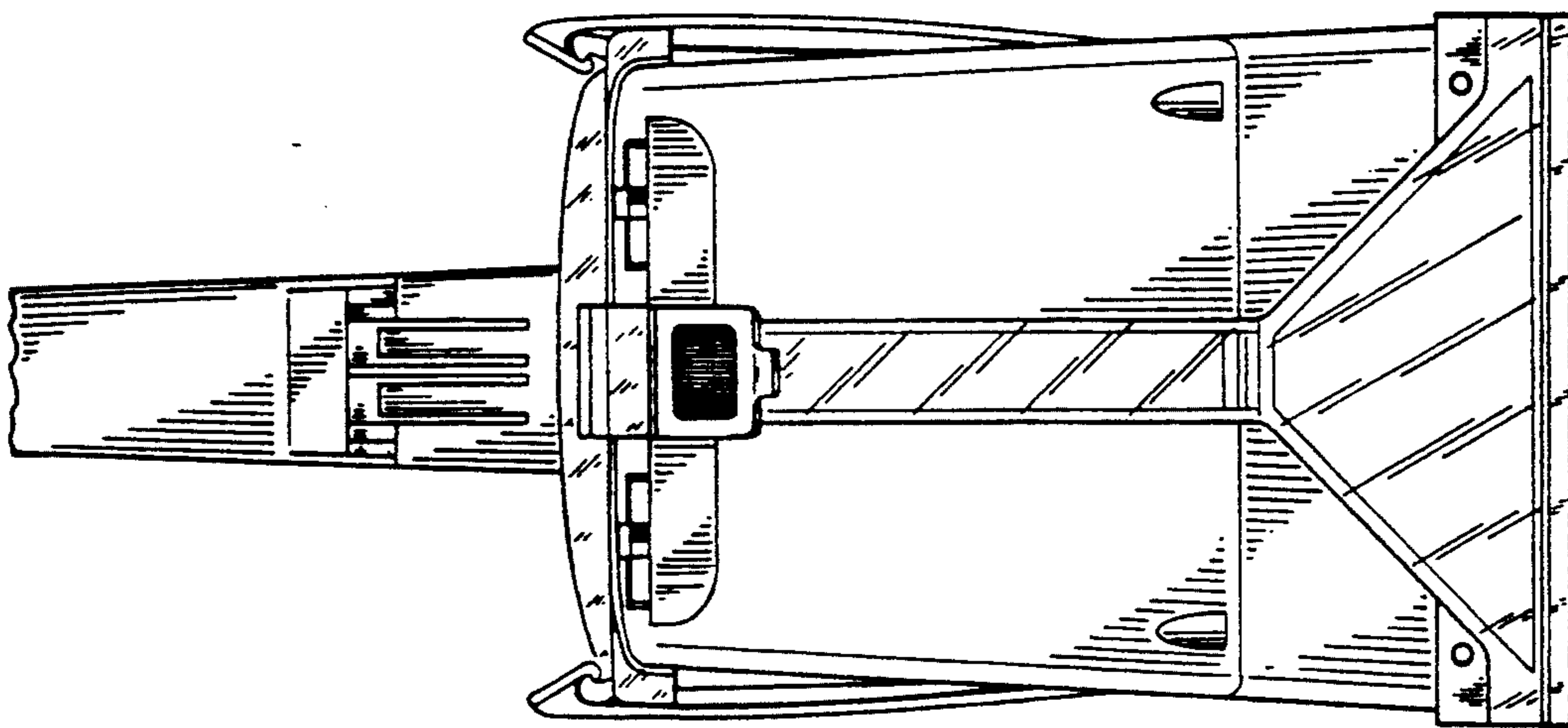


FIG.-4

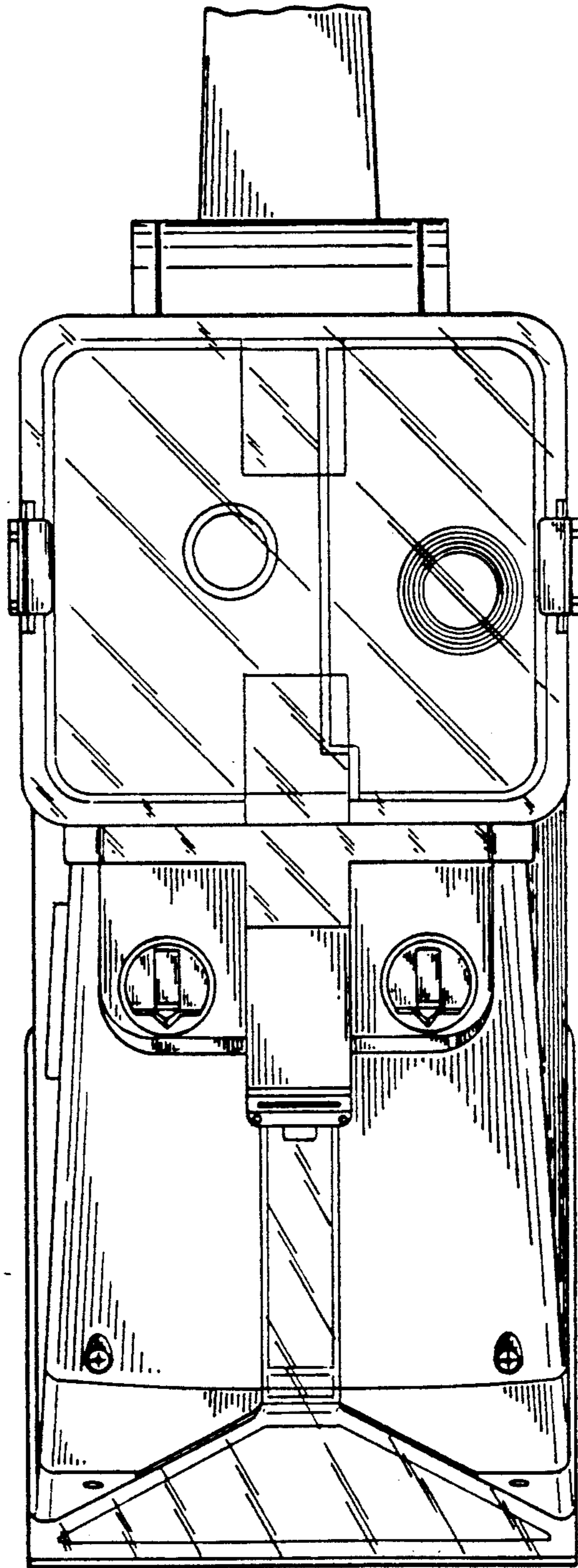


FIG.-5

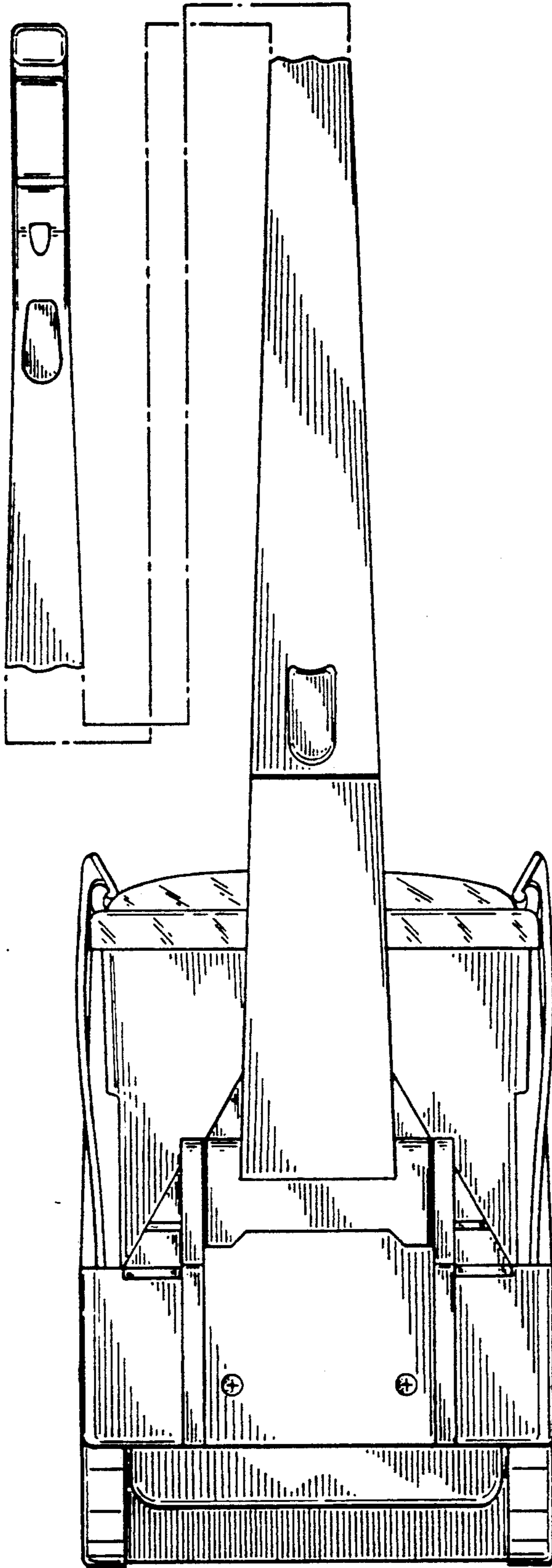


FIG.-6

FIG.-7

