



US00D346673S

United States Patent [19]

[11] Patent Number: **Des. 346,673**

Newman

[45] Date of Patent: **** May 3, 1994**

[54] WATER PIPE

[76] Inventor: **Mark R. Newman**, P.O. Box 17009,
Tucson, Ariz. 85731

[**] Term: **14 Years**

[21] Appl. No.: **12,447**

[22] Filed: **Sep. 2, 1993**

[52] U.S. Cl. **D27/162**

[58] Field of Search 131/173; **D27/162**

[56] References Cited

U.S. PATENT DOCUMENTS

D. 249,070	8/1978	Evans	D27/162
D. 249,282	9/1978	Nielsen	D27/162
D. 265,595	7/1982	Galanter	D27/162
3,881,499	5/1975	McFadden et al.	131/173
4,171,703	10/1979	Locke	131/173
4,203,455	5/1980	Byrd, Jr.	131/173
4,216,785	8/1980	Erickson	131/173

OTHER PUBLICATIONS

Odyssey Glass Catalog, Nov. 1977, no page number, bong, item No. FT114 "Missle", located at left of page. Odyssey Glass Catalog, Nov. 1977, no page number, bong, item No. 201 located at right of page.

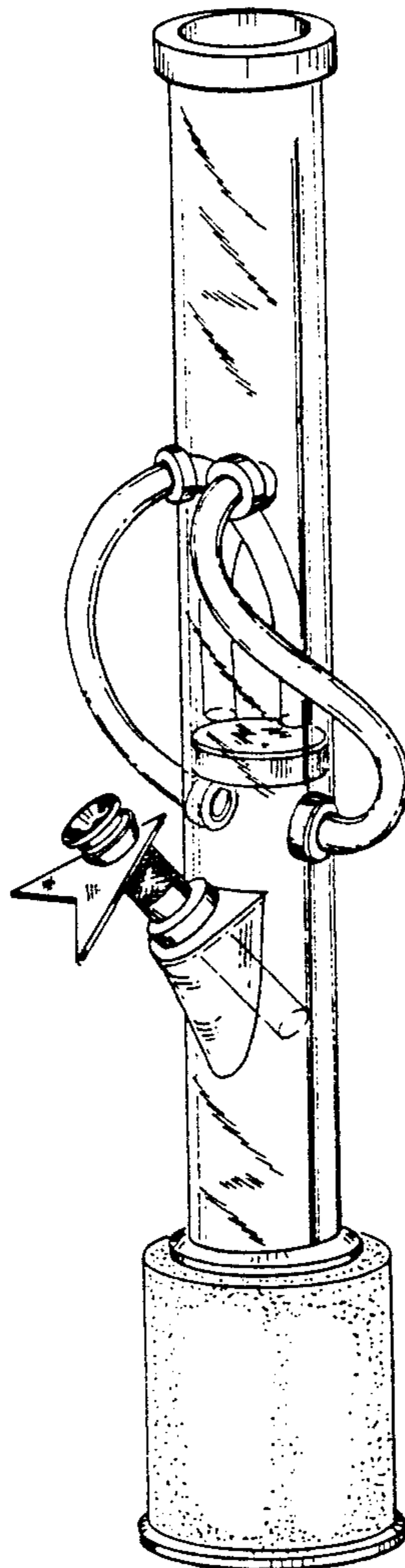
Primary Examiner—Wallace R. Burke
Assistant Examiner—H. Baynham
Attorney, Agent, or Firm—Victor Flores

[57] CLAIM

The ornamental design for a water pipe, as shown and described.

DESCRIPTION

FIG. 1 is a front elevational view thereof the water pipe showing my design;
FIG. 2 is a right side elevational view thereof with the opposite side view being a mirror image thereof;
FIG. 3 is a top plan view thereof; and,
FIG. 4 is a perspective view thereof.
The undisclosed bottom and rear views are unornamented.



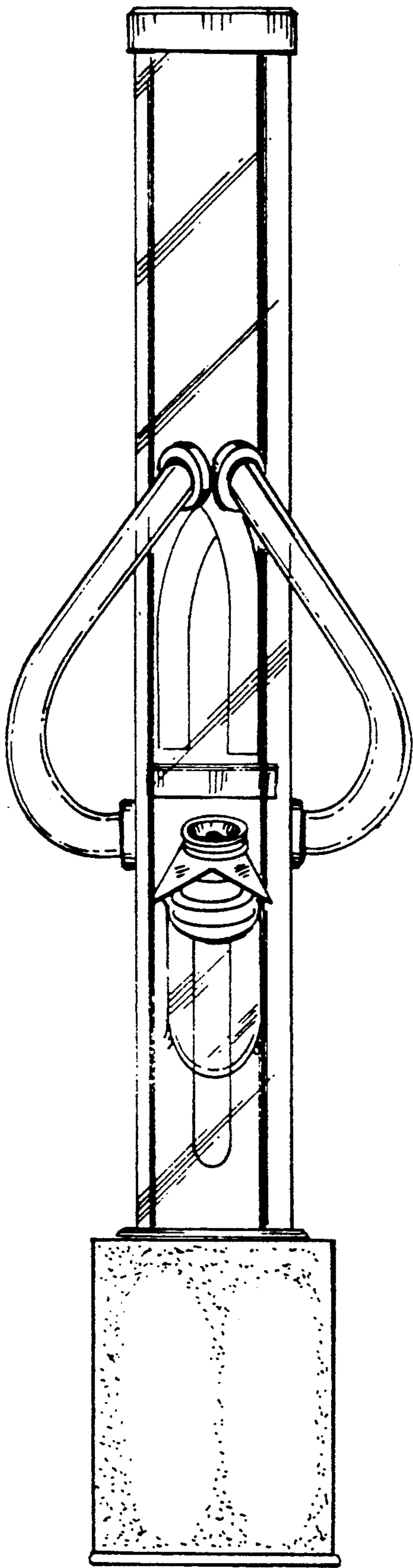


FIG. 1

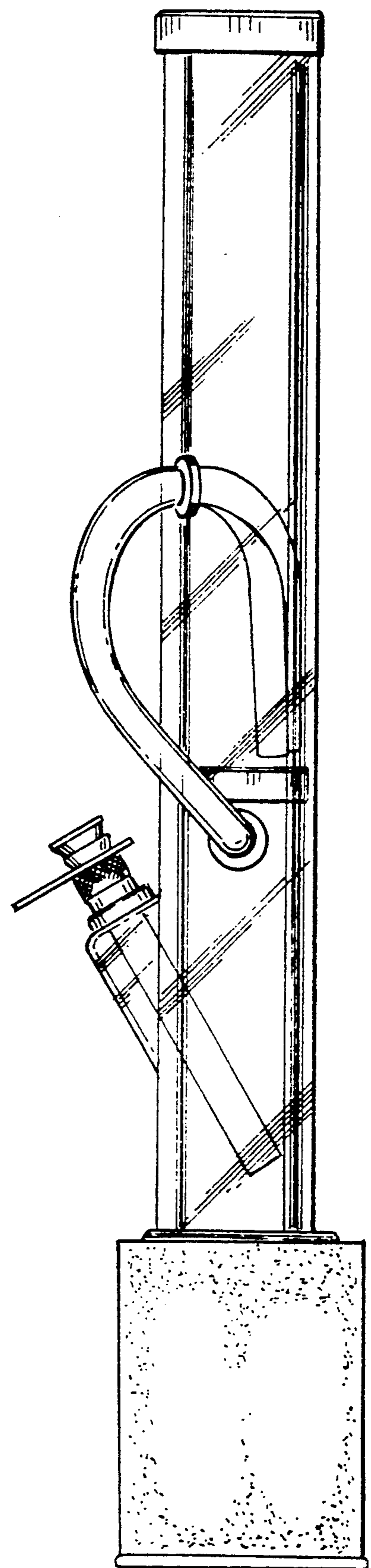


FIG. 2

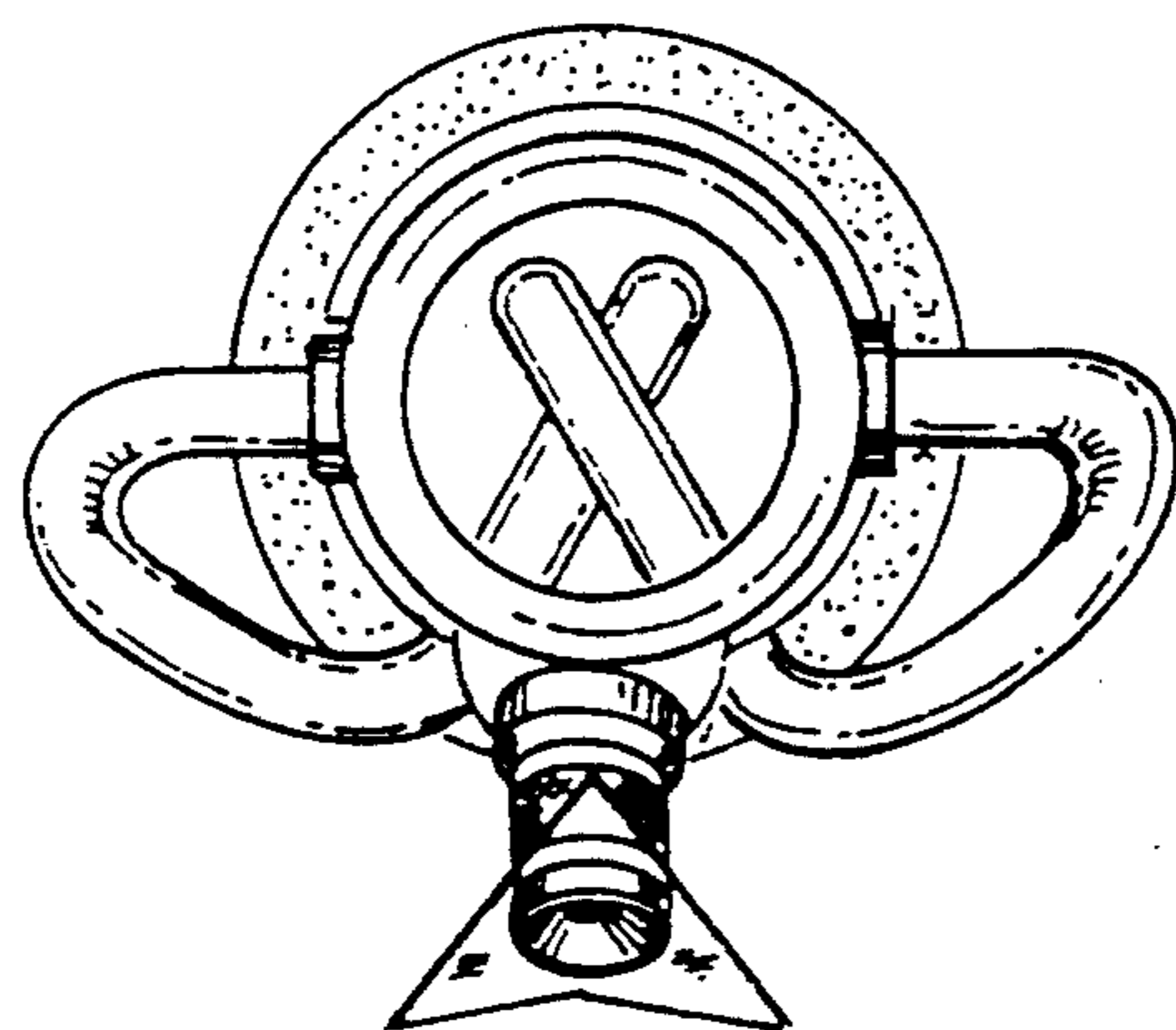


FIG. 3

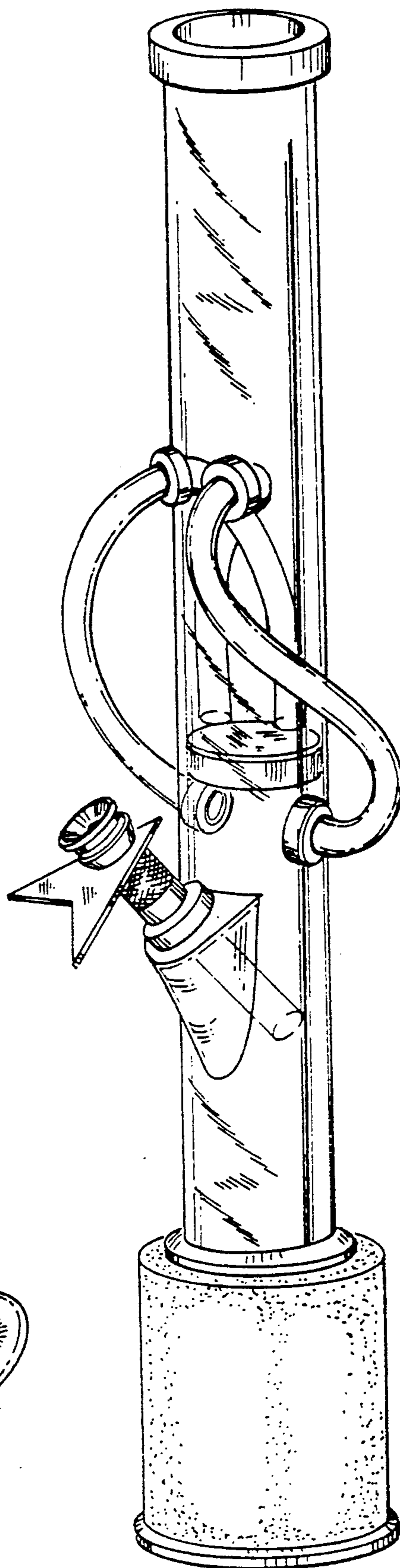


FIG. 4