



US00D346672S

# United States Patent [19]

[11] Patent Number: **Des. 346,672**

Chan

[45] Date of Patent: **\*\* May 3, 1994**

## [54] TABLE LAMP

[76] Inventor: **James Chan**, No. 1, Lane 27, Ping An Street, Changhua, Taiwan

[\*\*] Term: **14 Years**

[21] Appl. No.: **713,329**

[22] Filed: **Jun. 11, 1991**

[52] U.S. Cl. .... **D26/109**

[58] Field of Search ..... **362/410-414; D26/93, 102-112**

### [56] References Cited

#### U.S. PATENT DOCUMENTS

D. 130,572 12/1941 Livers ..... D26/109  
2,371,861 3/1945 Weir ..... D26/109 X

## OTHER PUBLICATIONS

Home Lighting & Accessories, Aug. 1989, p. 64, Genesis Lighting, Inc. Table Lamp.

Industrial Design, May/Jun.-1985, p. 58, Robert Sonnetman Desk Lamp.

*Primary Examiner*—Susan J. Lucas  
*Attorney, Agent, or Firm*—Bacon & Thomas

## [57] CLAIM

The ornamental design for a table lamp, as shown and described.

## DESCRIPTION

FIG. 1 is a front elevational view of a table lamp showing my new design;

FIG. 2 is a rear elevational view thereof;

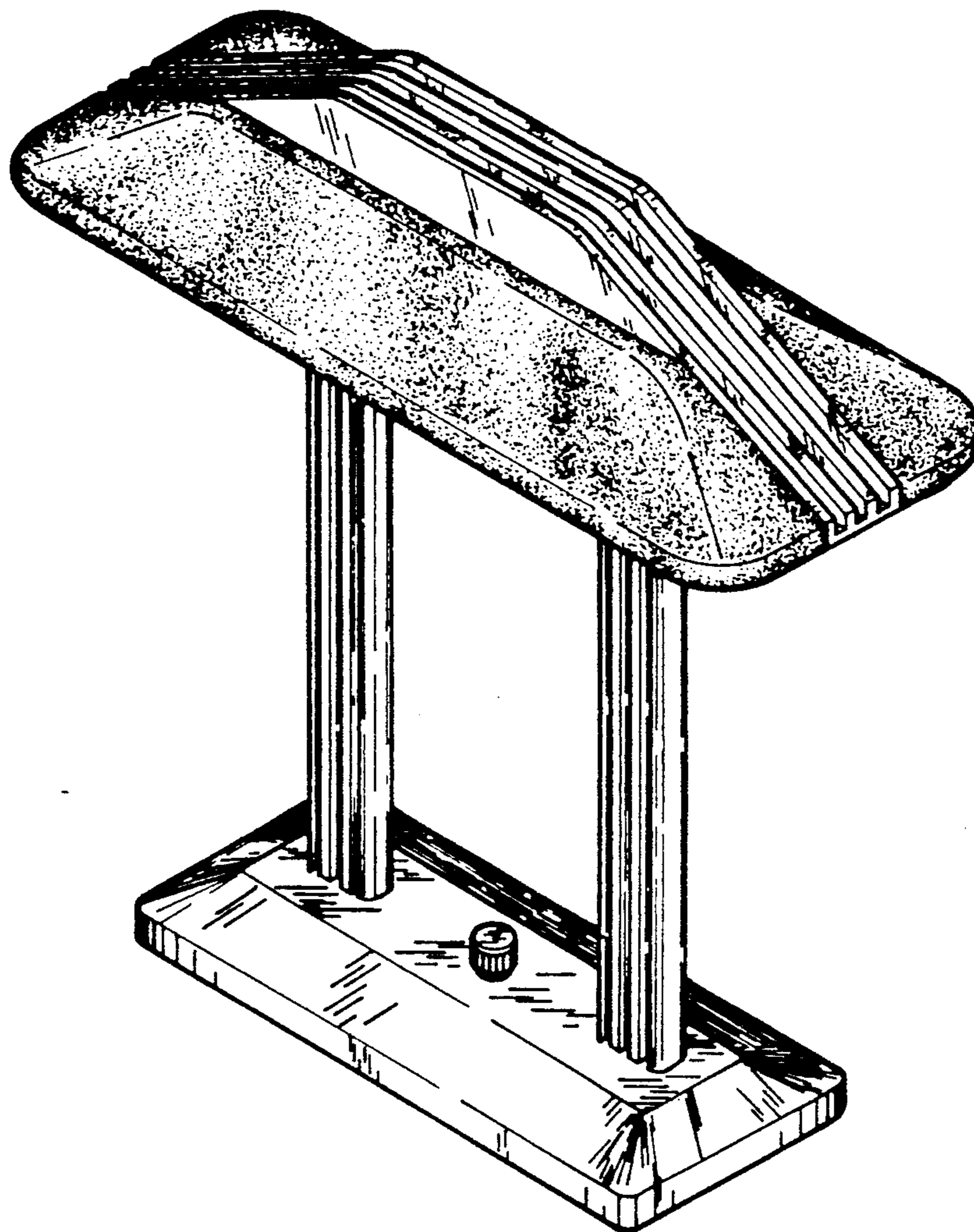
FIG. 3 is a left side elevational view thereof;

FIG. 4 is a right side elevational view thereof;

FIG. 5 is a top plan view thereof;

FIG. 6 is a bottom plan view thereof; and,

FIG. 7 is a front perspective view thereof.



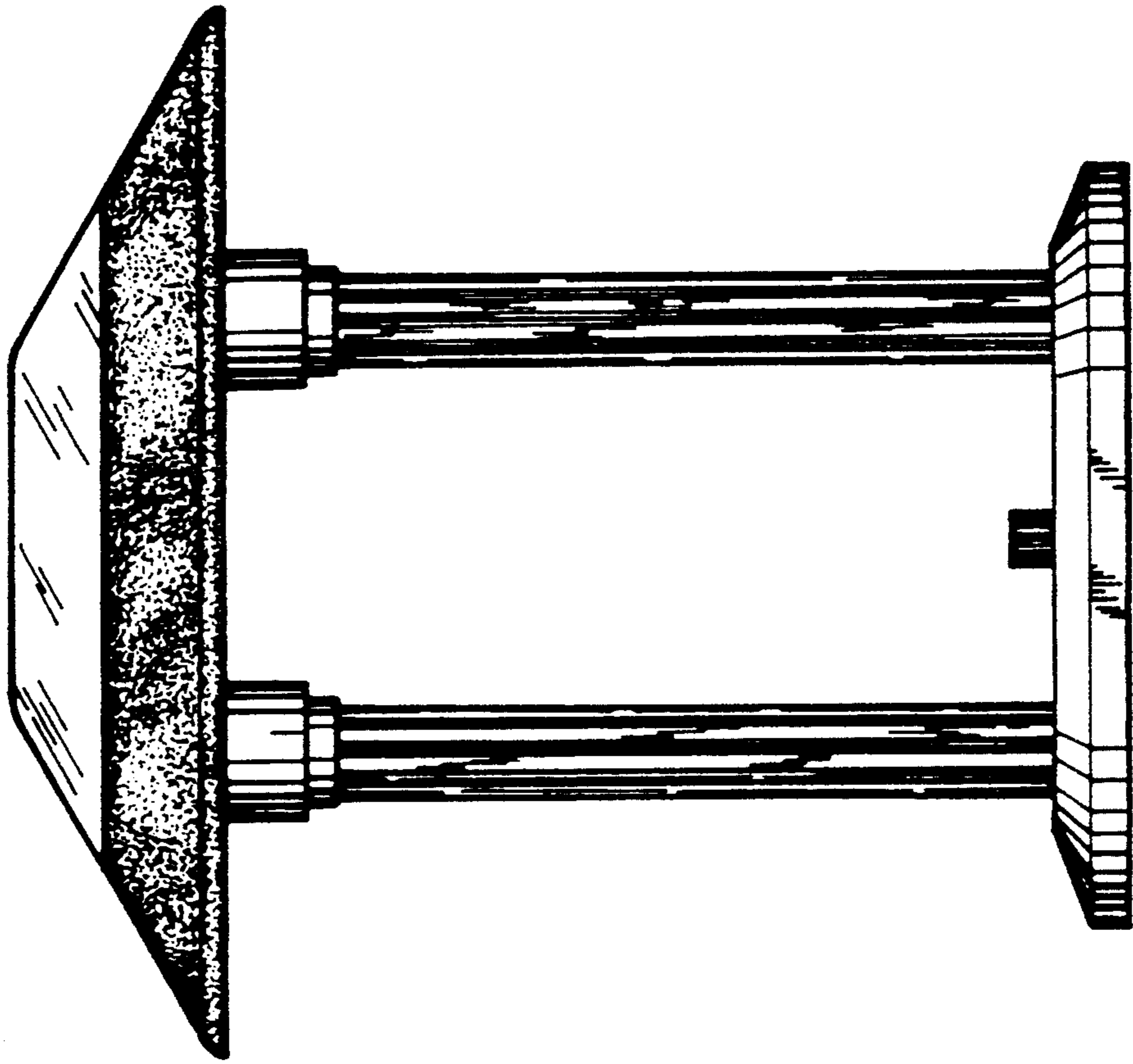


FIG. 1

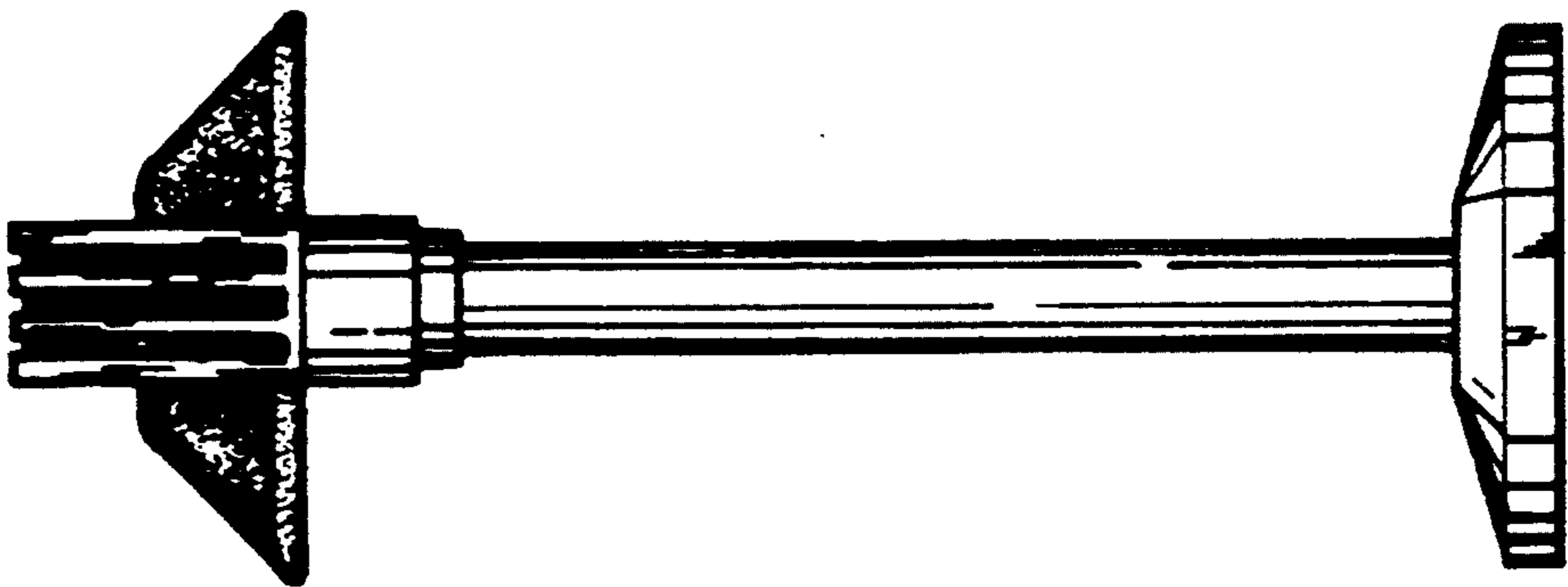


FIG. 3

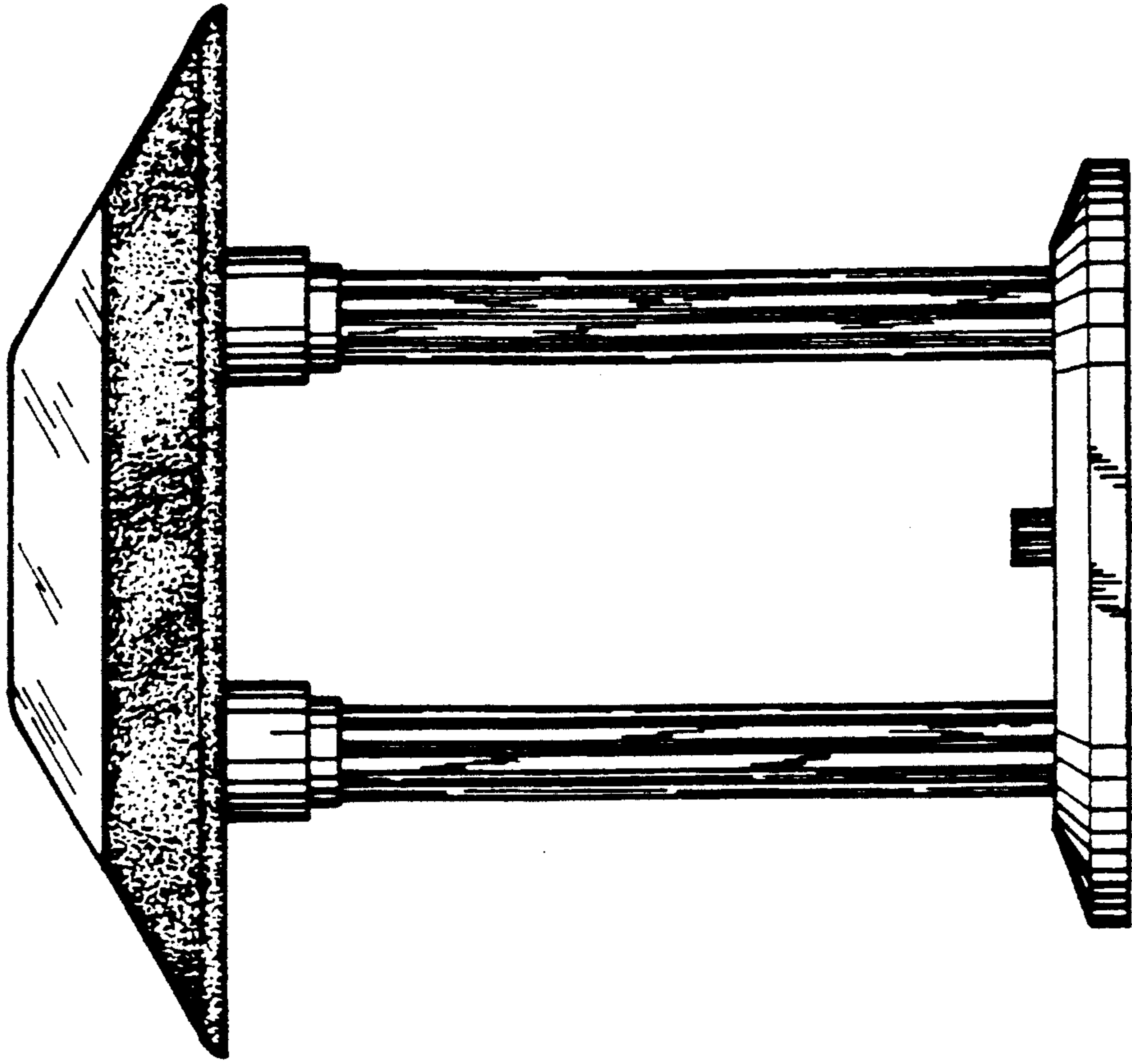


FIG. 2

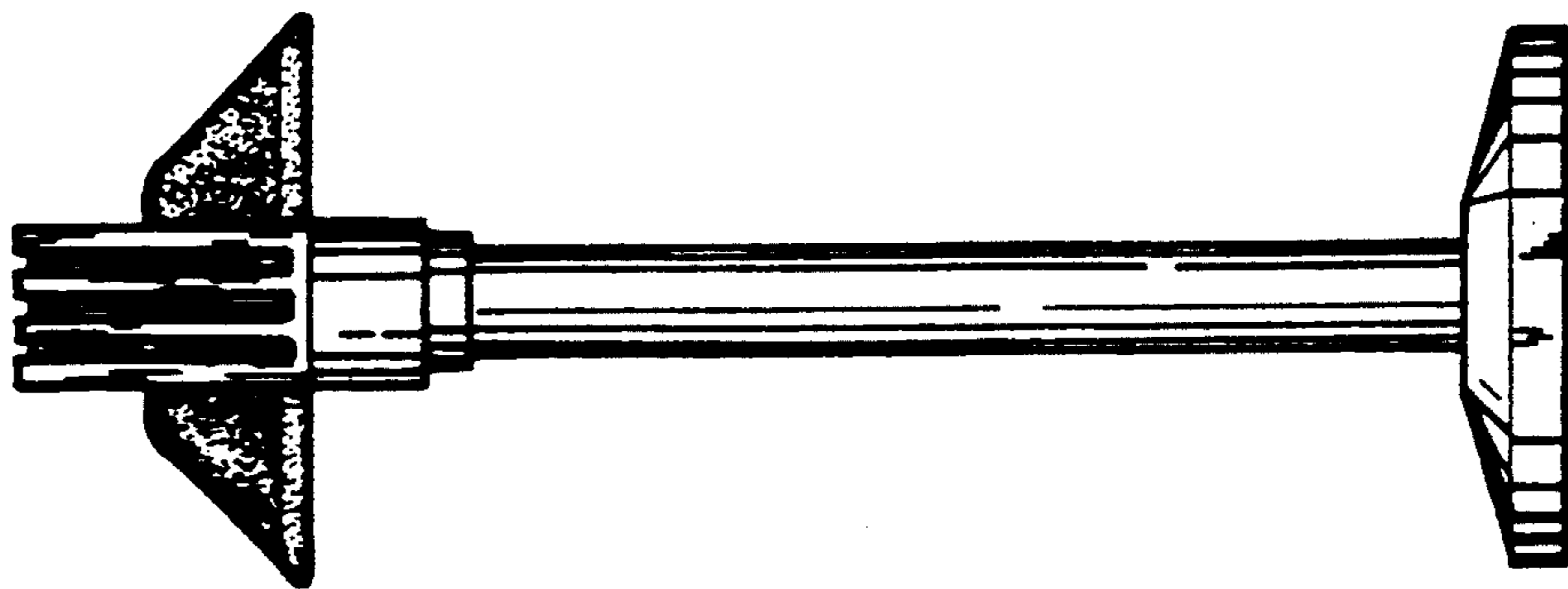


FIG. 4



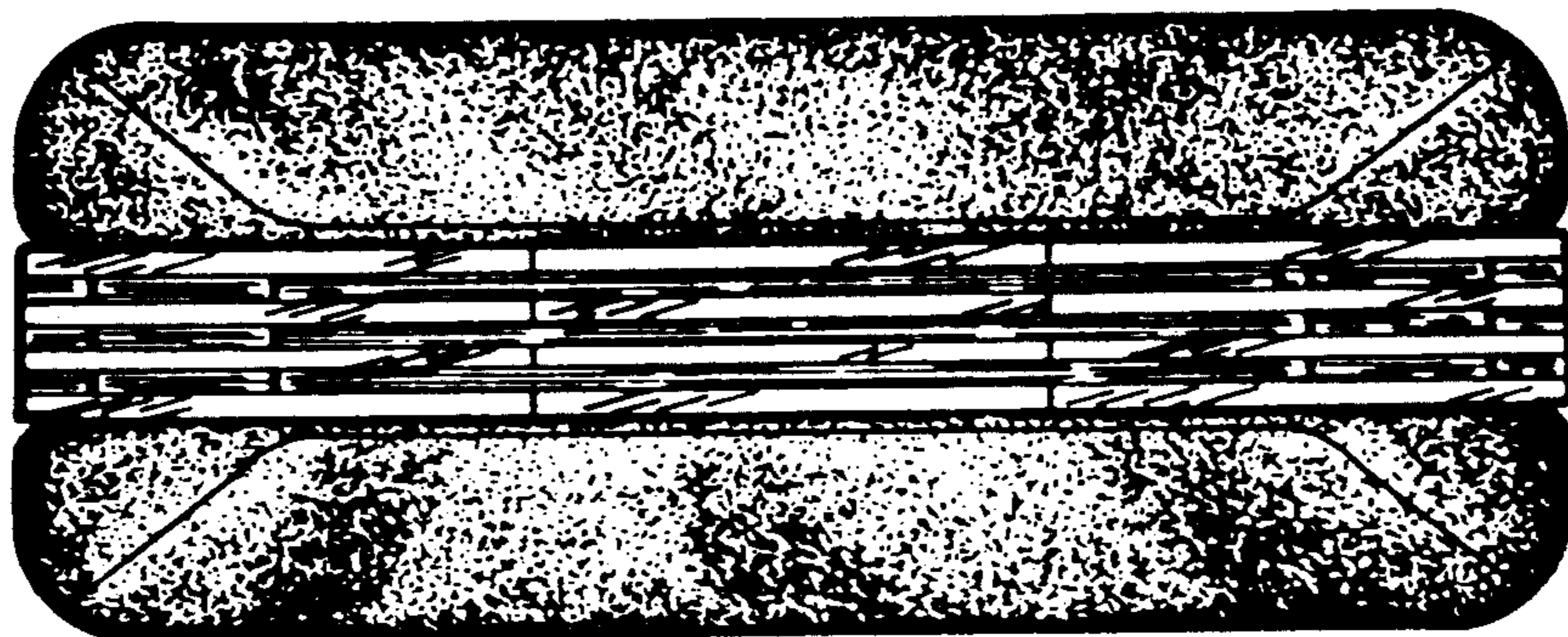


FIG. 5

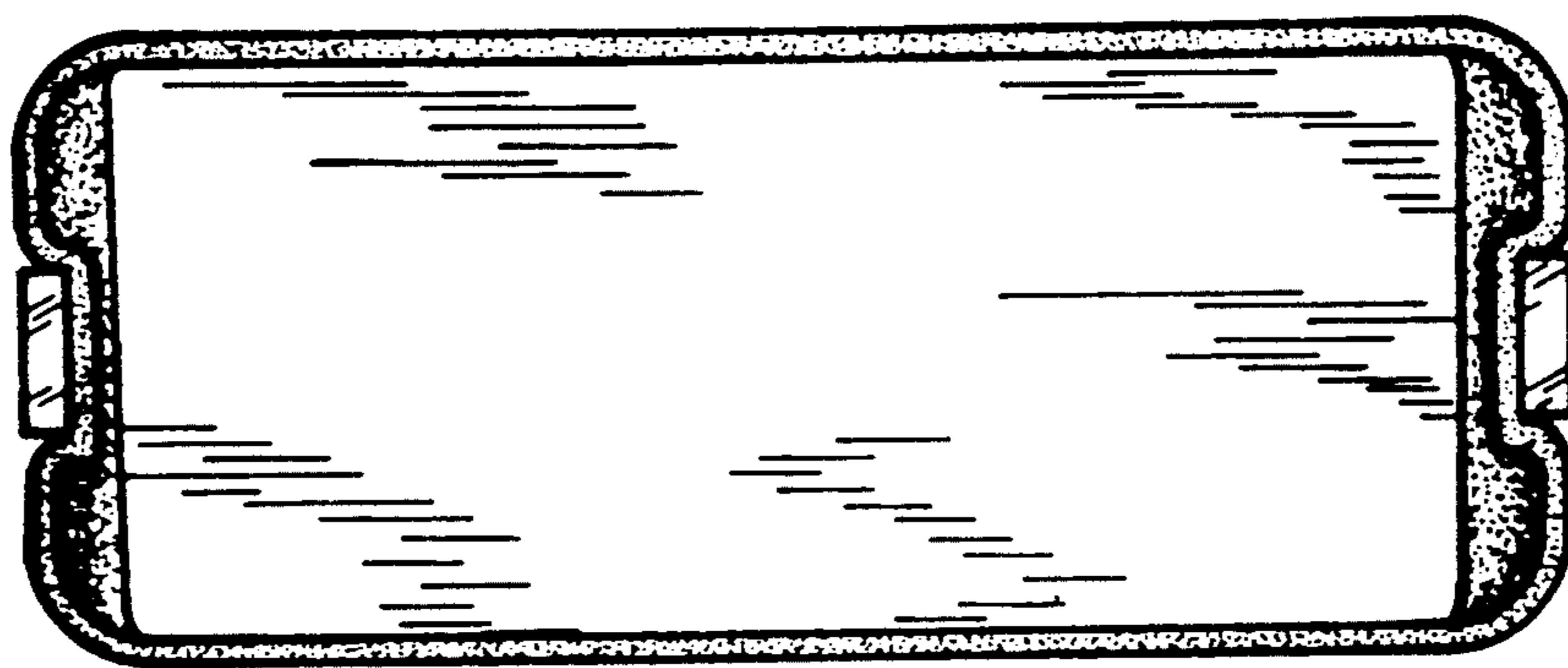


FIG. 6

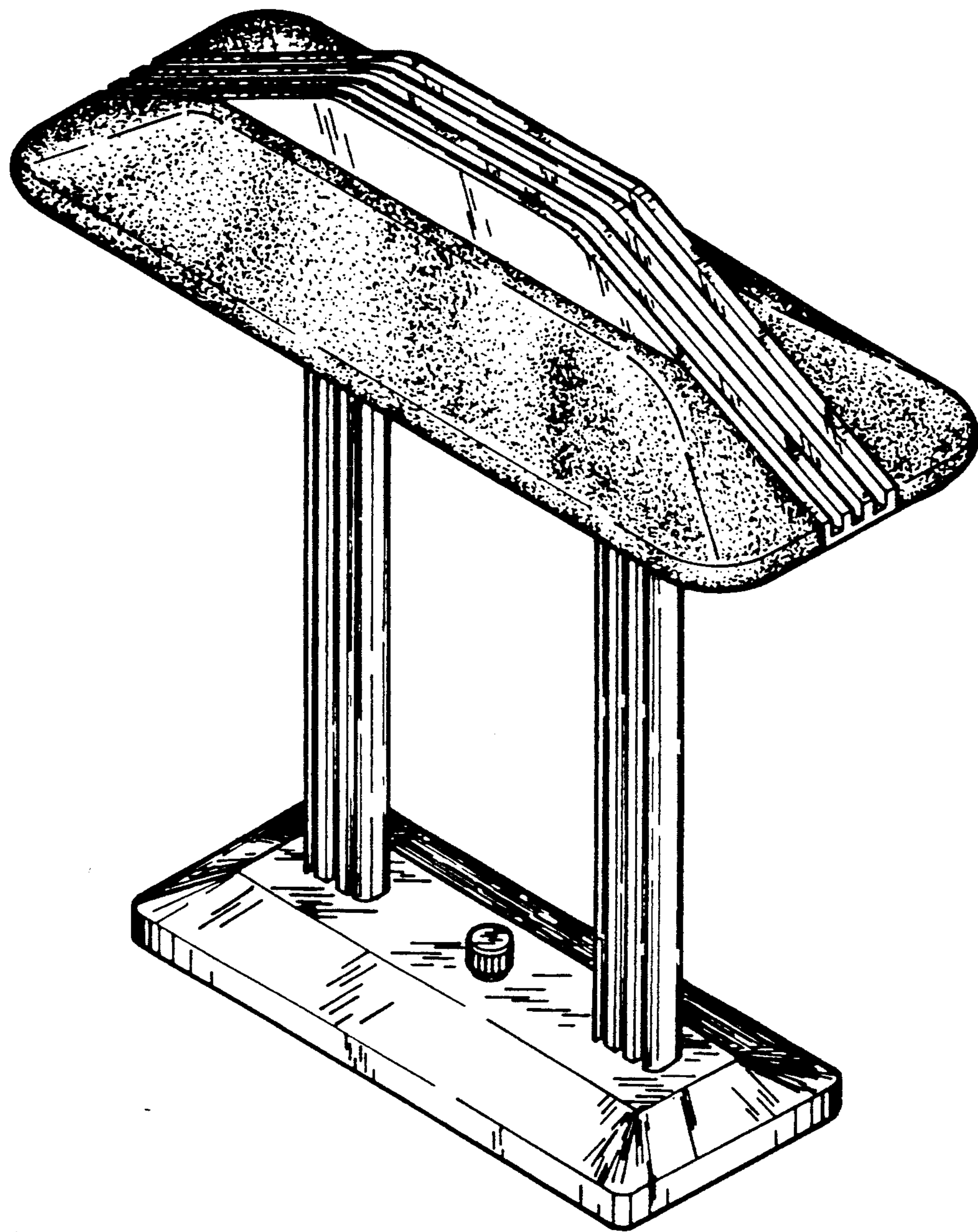


FIG. 7