



US00D346671S

# United States Patent [19]

[11] Patent Number: **Des. 346,671**

**Herring**

[45] Date of Patent: **\*\* May 3, 1994**

[54] **SOLAR POWERED PAIR OF VEHICLE SAFETY LIGHTS**

4,646,207 2/1987 Levin .  
4,646,208 2/1987 Hayashi .

[76] Inventor: **Terry K. Herring, 719 S. Main St.,  
Montpelier, Ind. 47359**

*Primary Examiner*—Susan J. Lucas  
*Attorney, Agent, or Firm*—Terry M. Gernstein

[\*\*] Term: **14 Years**

[57] **CLAIM**

[21] Appl. No.: **873,051**

The ornamental design for a solar powered pair of vehicle safety lights, as shown and described.

[22] Filed: **Apr. 24, 1992**

[52] U.S. Cl. .... **D26/35**

[58] Field of Search ..... 362/61, 80, 80.1, 83,  
362/83.3, 240, 812, 183; 340/463-479;  
D26/28-36; D10/114

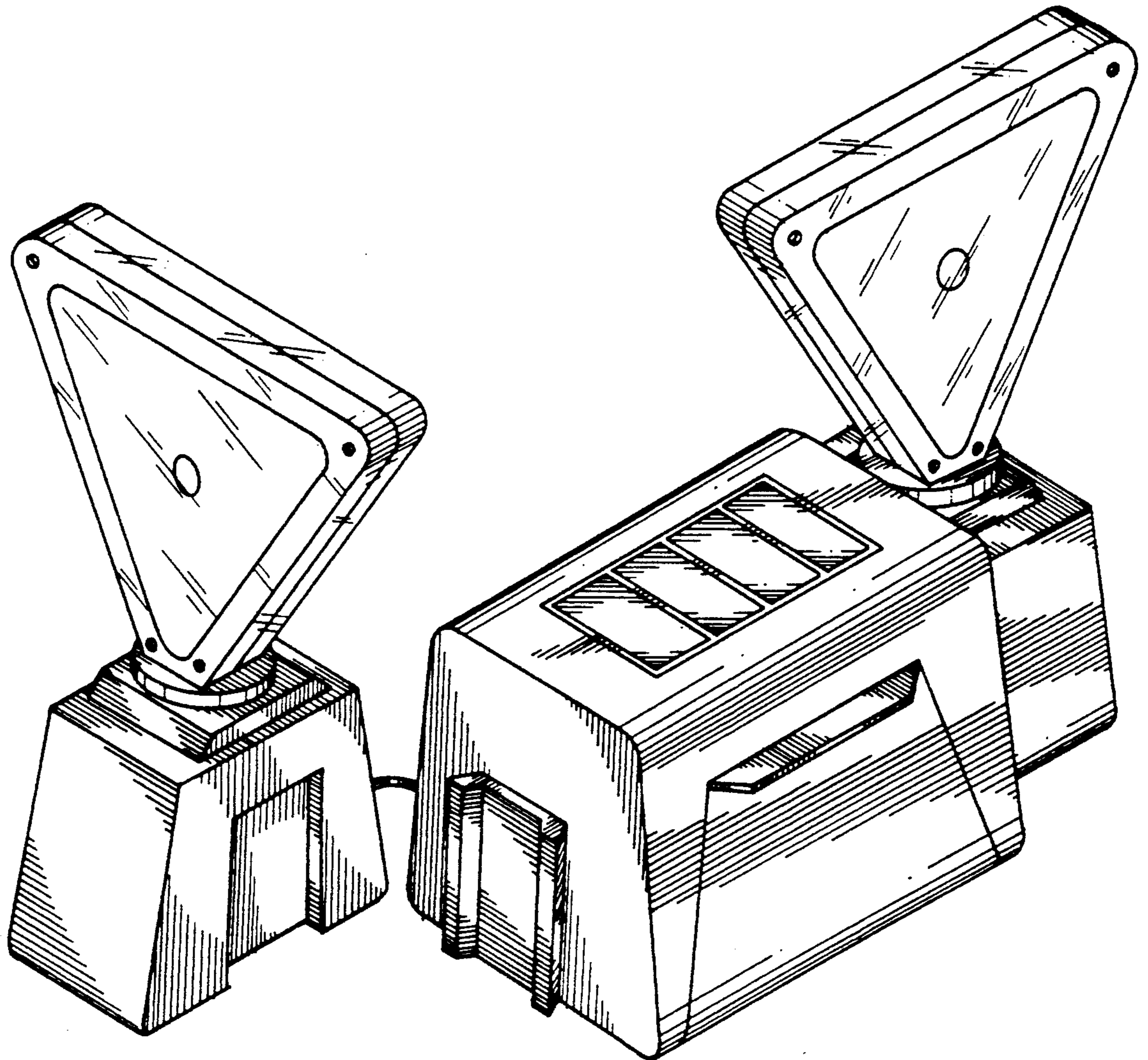
### DESCRIPTION

### [56] References Cited

#### U.S. PATENT DOCUMENTS

D. 55,739	7/1920	Becker	.....	D26/30
D. 74,808	3/1928	Smith	.....	D26/35
4,613,847	9/1986	Scolari et al.	.....	340/473
4,644,449	2/1987	Smith-Williams	.....	

FIG. 1 is a perspective view of the solar powered pair of vehicle safety lights embodying the design of the present invention;  
FIG. 2 is a front elevational view thereof in the assembled condition;  
FIG. 3 is a rear elevational view thereof;  
FIG. 4 is an end elevational view thereof, the end opposite being a mirror image of the end shown in FIG. 4;  
FIG. 5 is a top plan view thereof; and,  
FIG. 6 is a bottom view thereof.



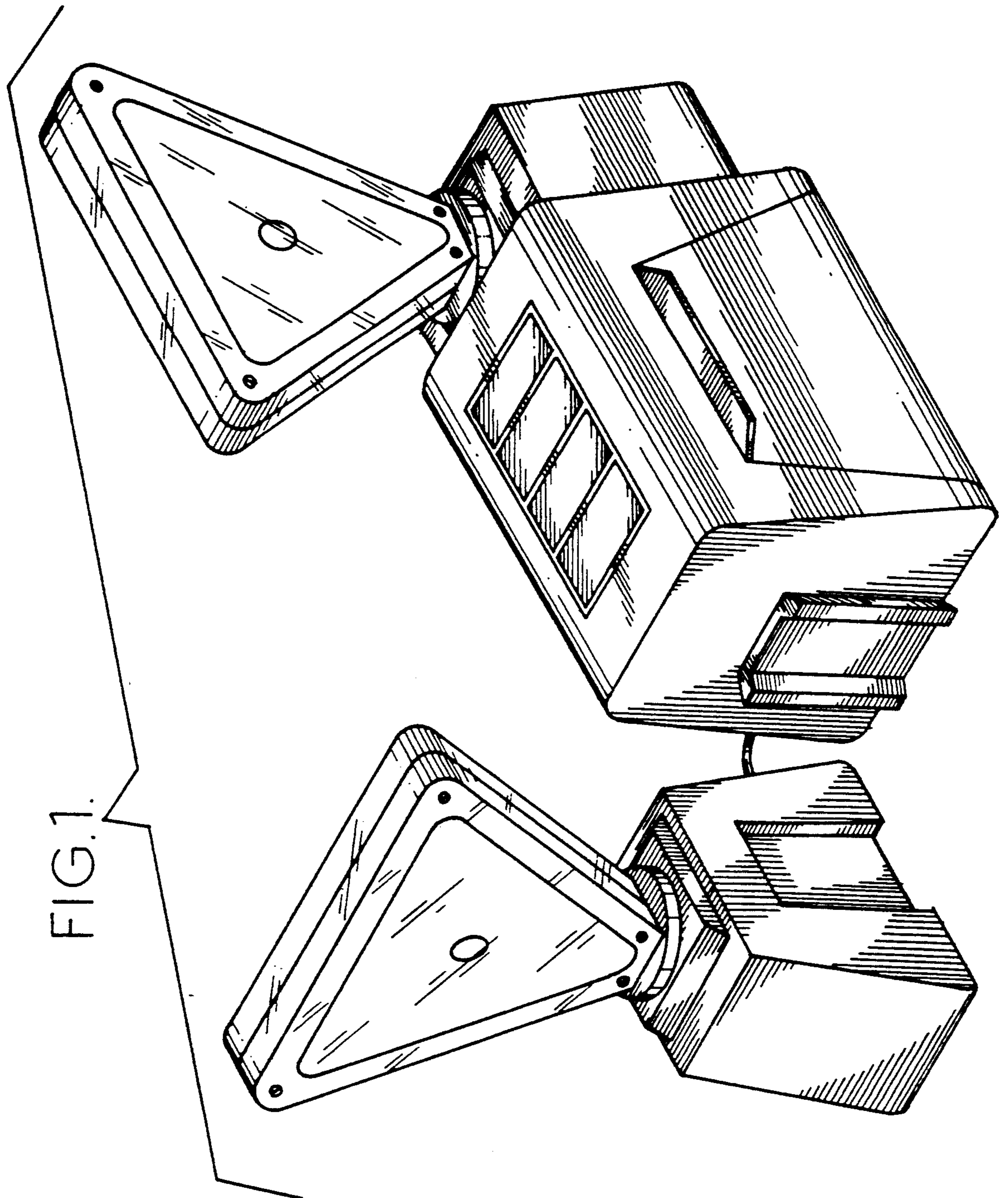


FIG. 4.

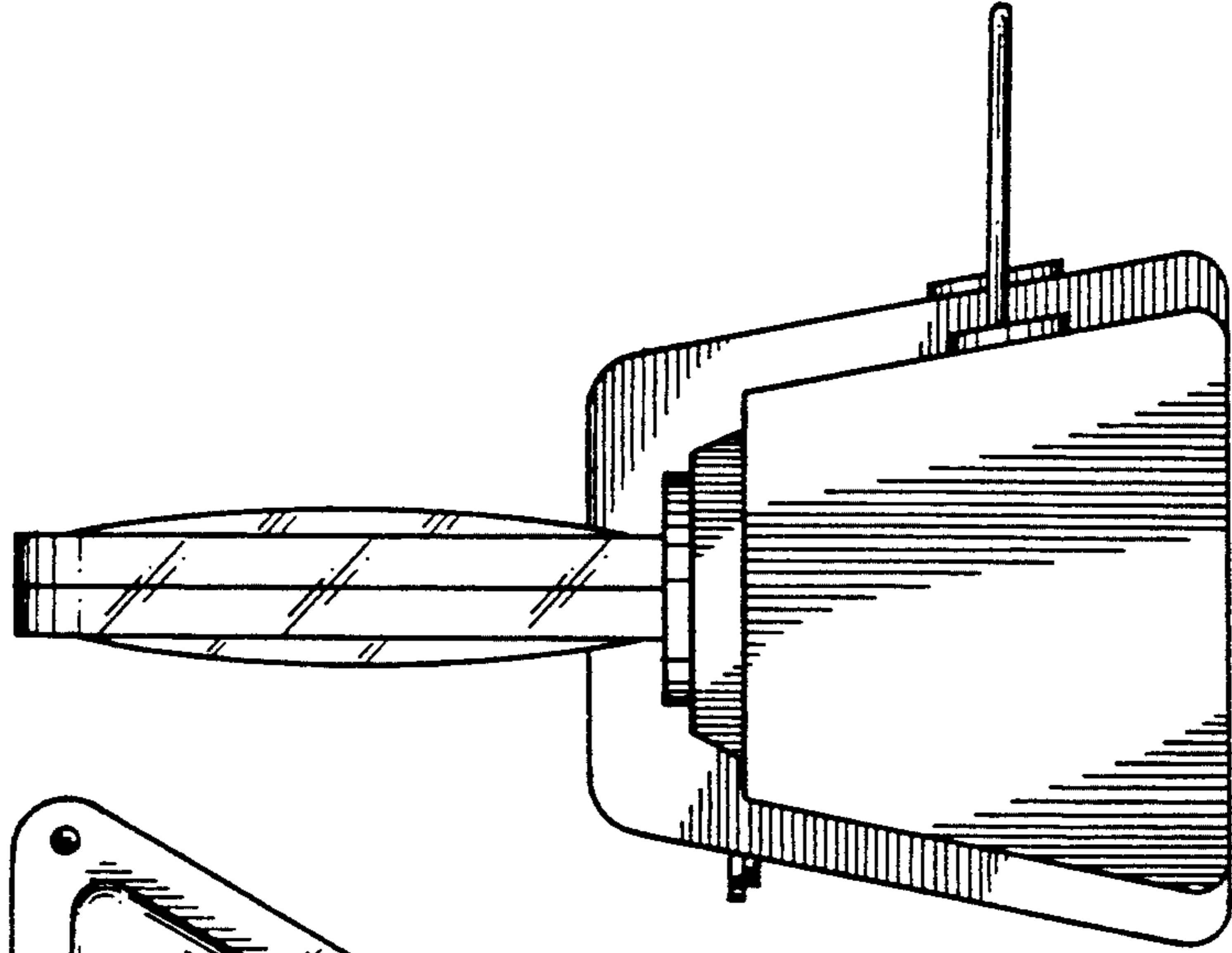


FIG. 2.

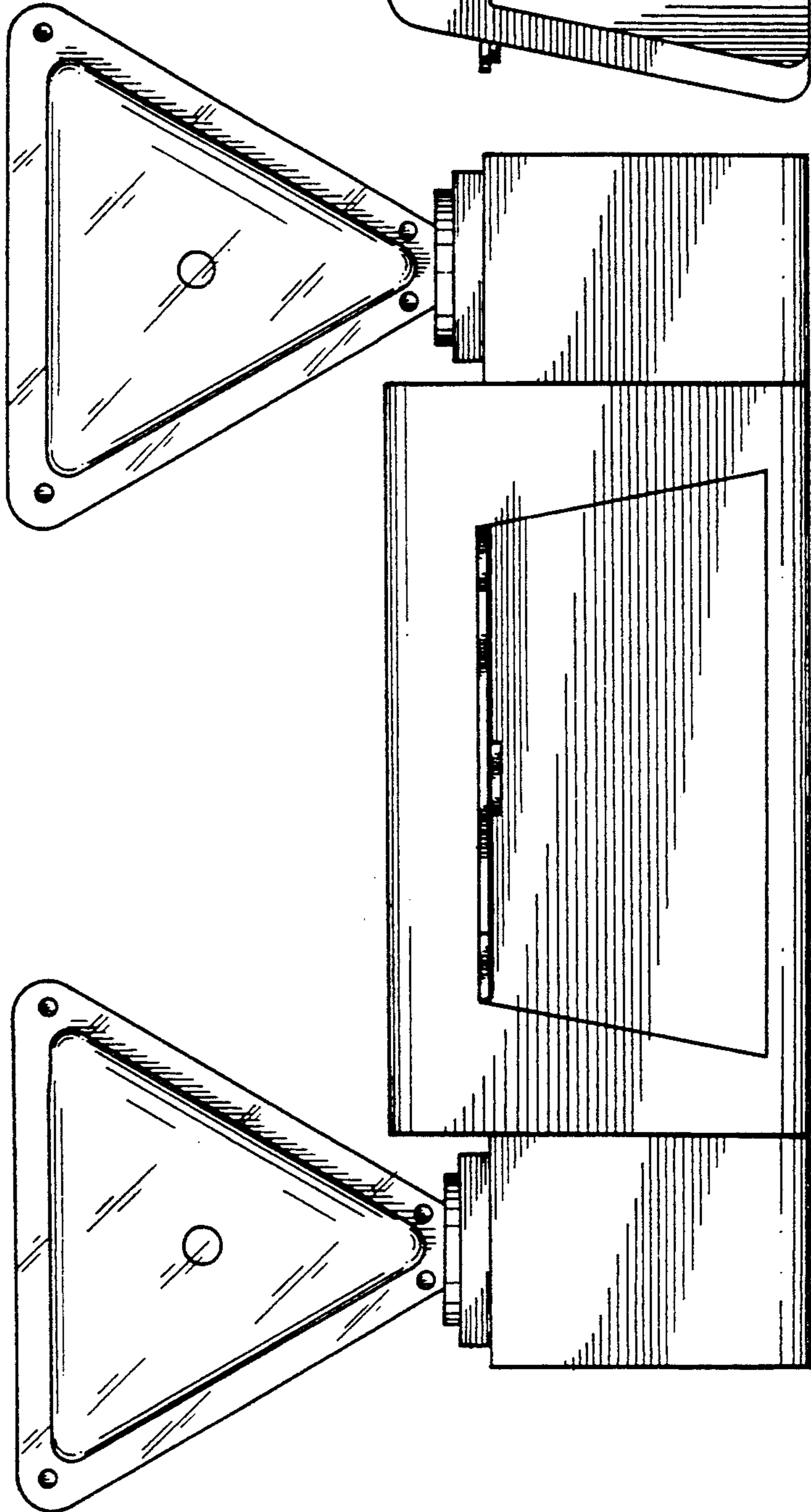
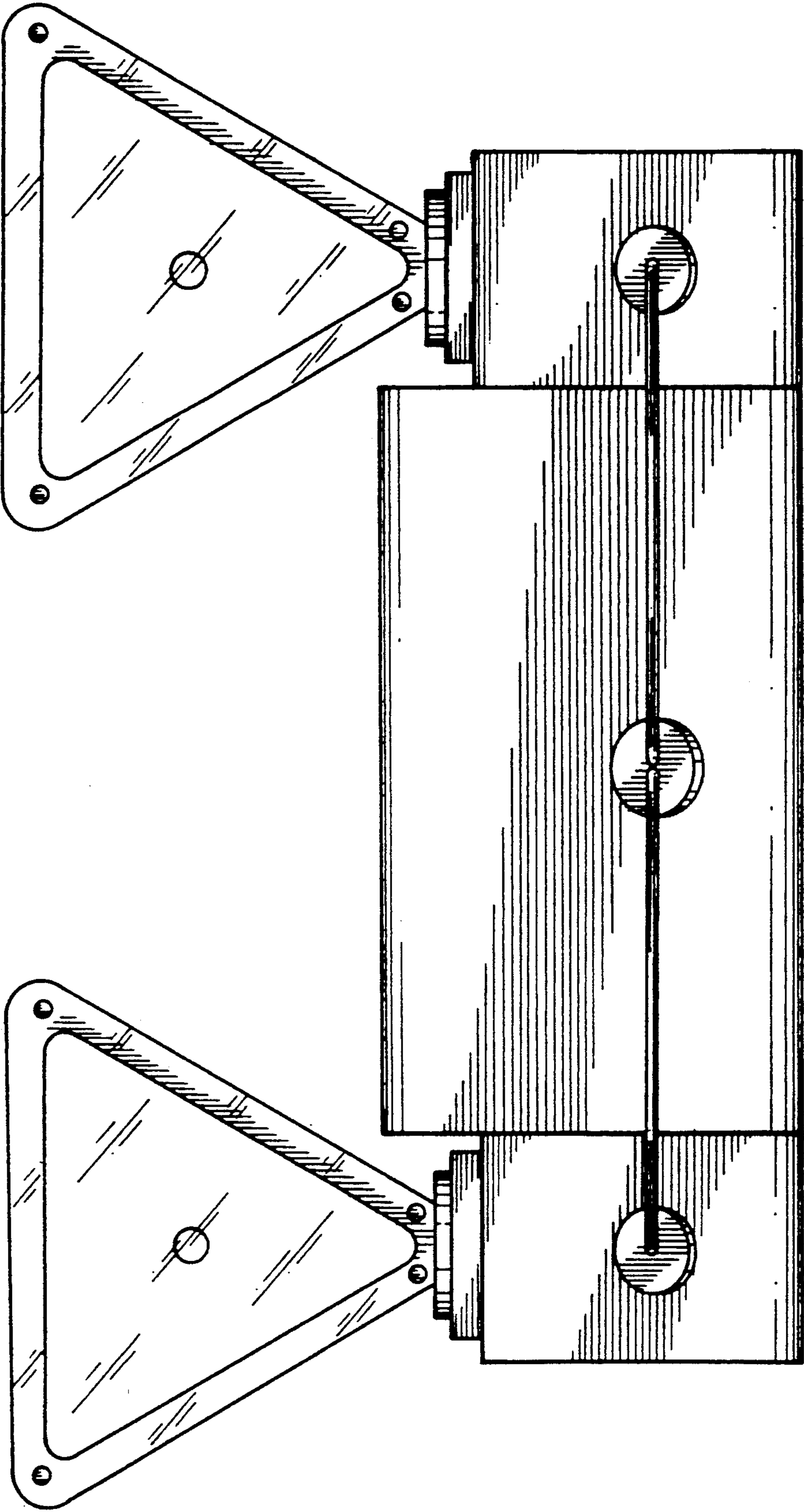


FIG. 3.



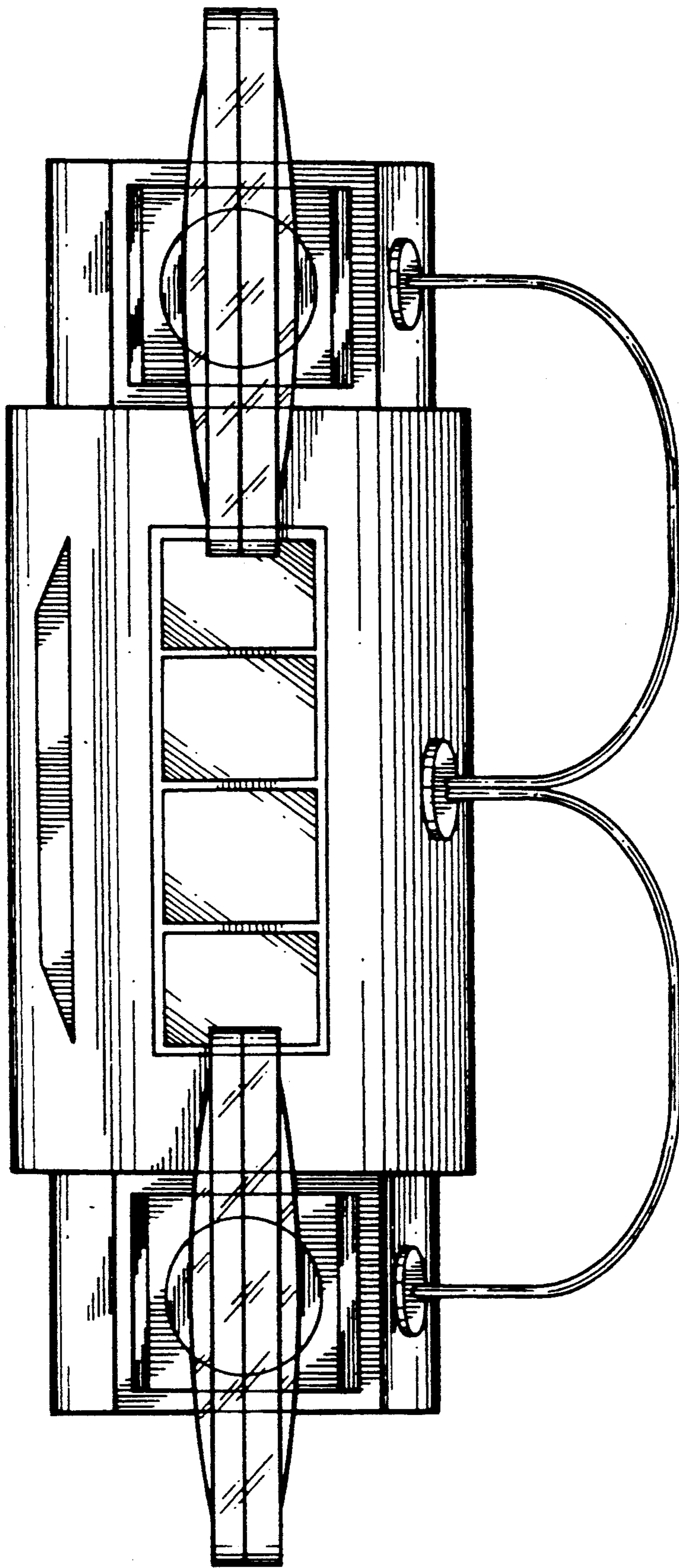


FIG. 5.

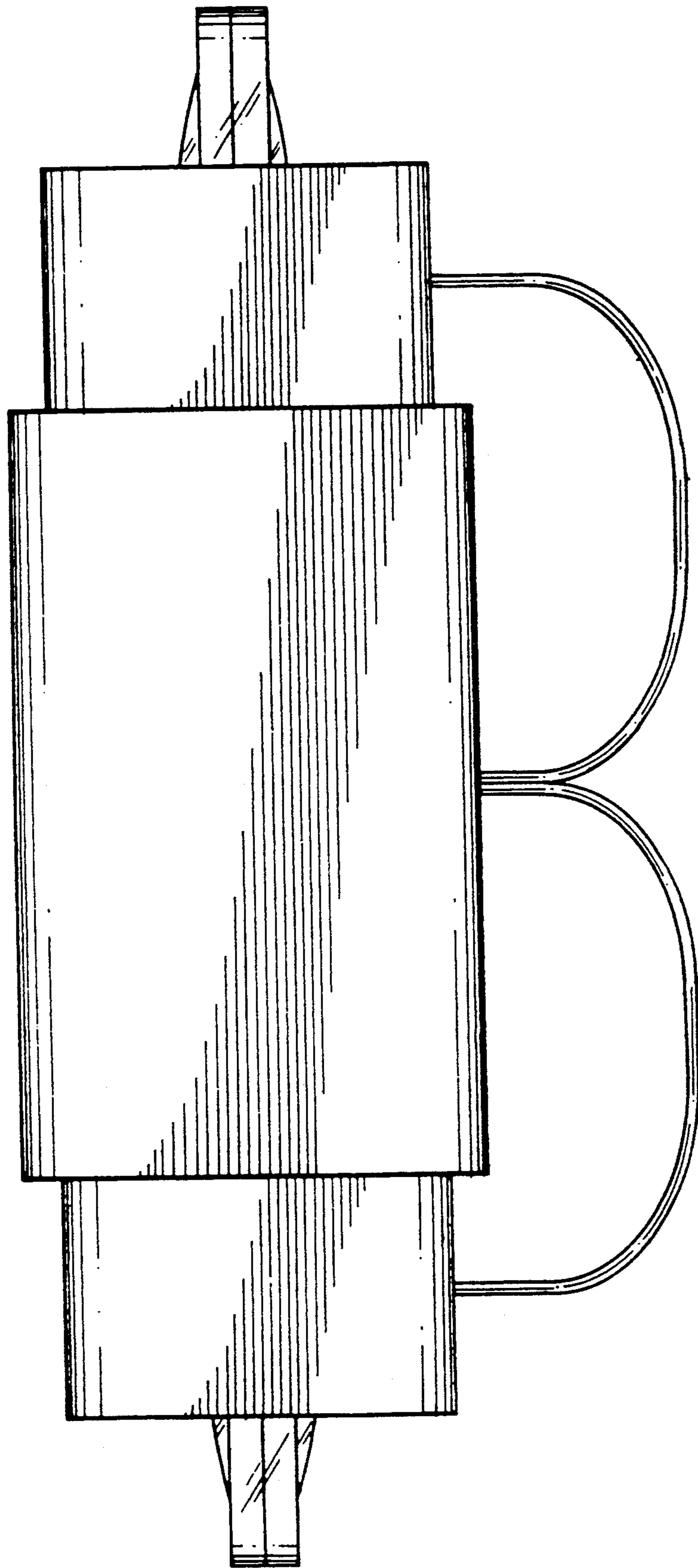


FIG. 6.