



US00D346668S

United States Patent [19]

[11] Patent Number: **Des. 346,668**

Bancroft

[45] Date of Patent: **** May 3, 1994**

[54] **FRAME MEMBER**

Attorney, Agent, or Firm—Macdonald J. Wiggins

[76] Inventor: **Joseph C. Bancroft**, 134 Harmony La., McComb, Miss. 39648

[57] **CLAIM**

The ornamental design for a frame member, as shown and described.

[**] Term: **14 Years**

[21] Appl. No.: **940,822**

[22] Filed: **Sep. 8, 1992**

[52] U.S. Cl. **D25/124**

[58] Field of Search 49/501, 504, DIG. 2; D25/60, 124

DESCRIPTION

FIG. 1 is a fragmentary top perspective view of the frame member showing my design;
FIG. 2 is a top plan view thereof broken away to indicate indeterminate length;
FIG. 3 is a bottom plan view thereof broken away to indicate indeterminate length;
FIG. 4 is a front elevational view thereof in which the rear elevational view is a mirror image of the front view;
FIG. 5 is a right elevational view thereof broken away to indicate indeterminate length; and,
FIG. 6 is a left elevational view thereof broken away to indicate indeterminate length.

[56] References Cited

U.S. PATENT DOCUMENTS

- D. 289,203 4/1987 Hardy D25/124
- D. 299,969 2/1989 Hardy D25/124
- 4,740,405 4/1988 Tanaka et al. 49/504

Primary Examiner—A. Hugo Word
Assistant Examiner—Doris Clark

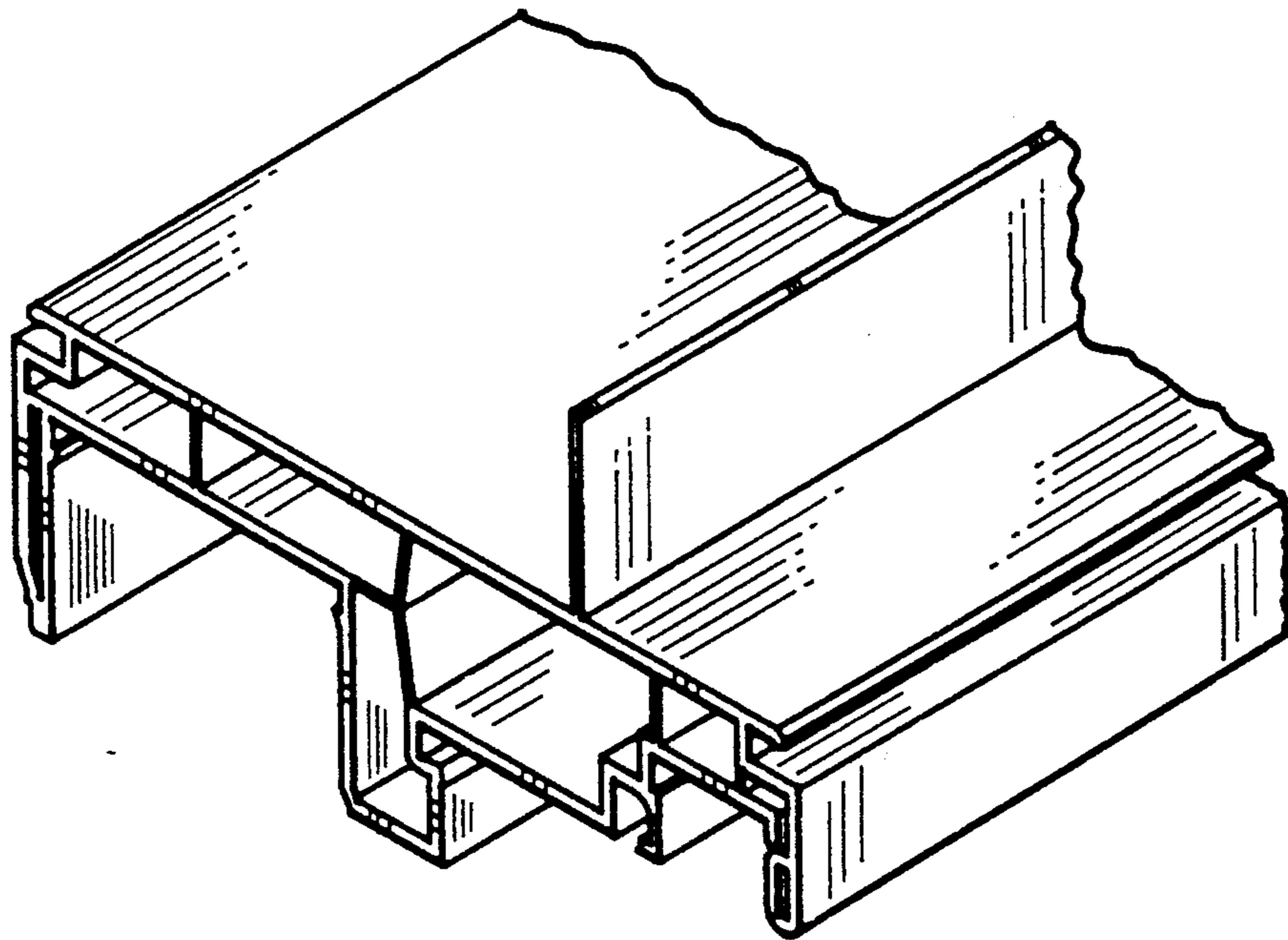


FIG. 1

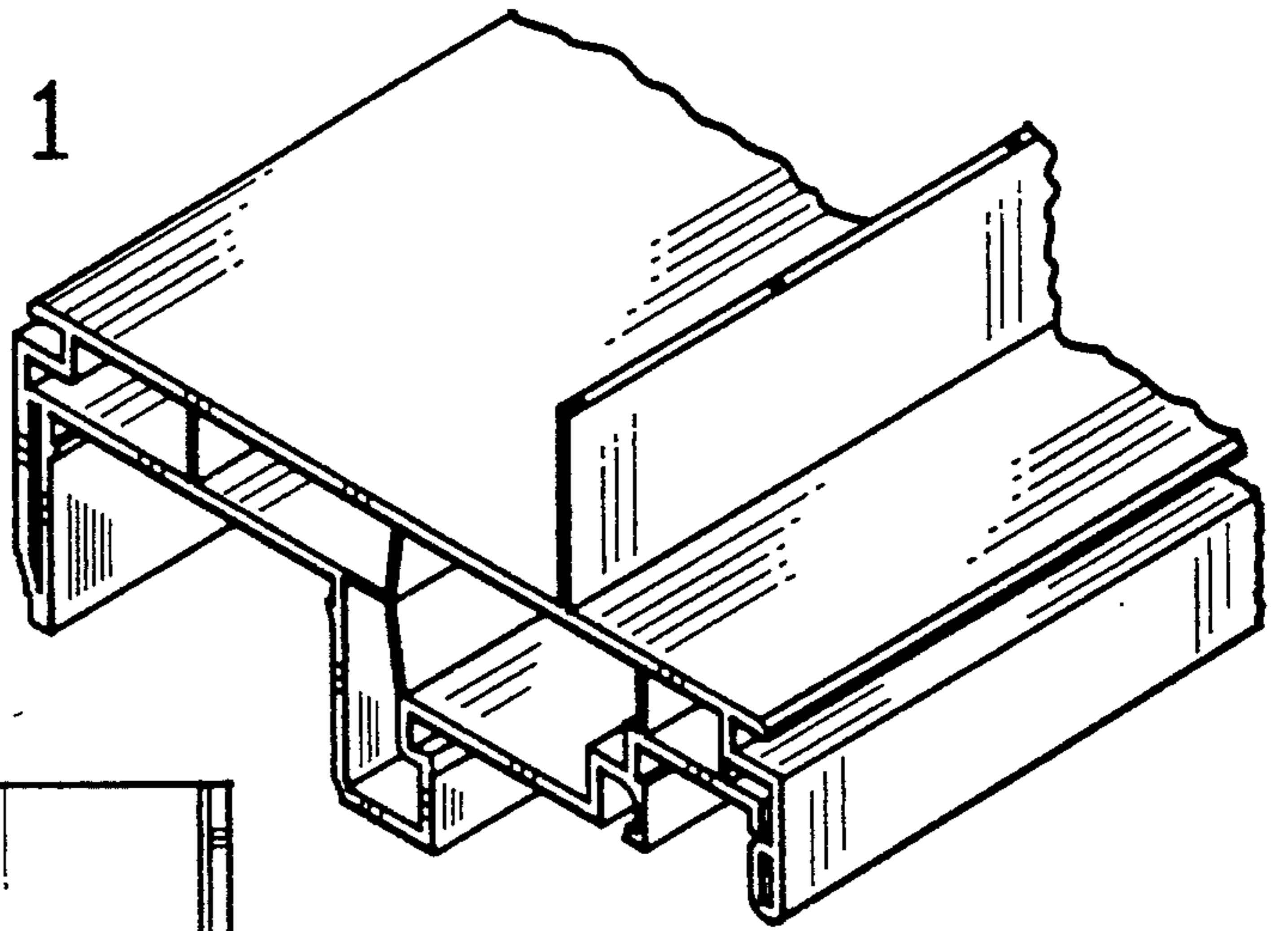


FIG. 2

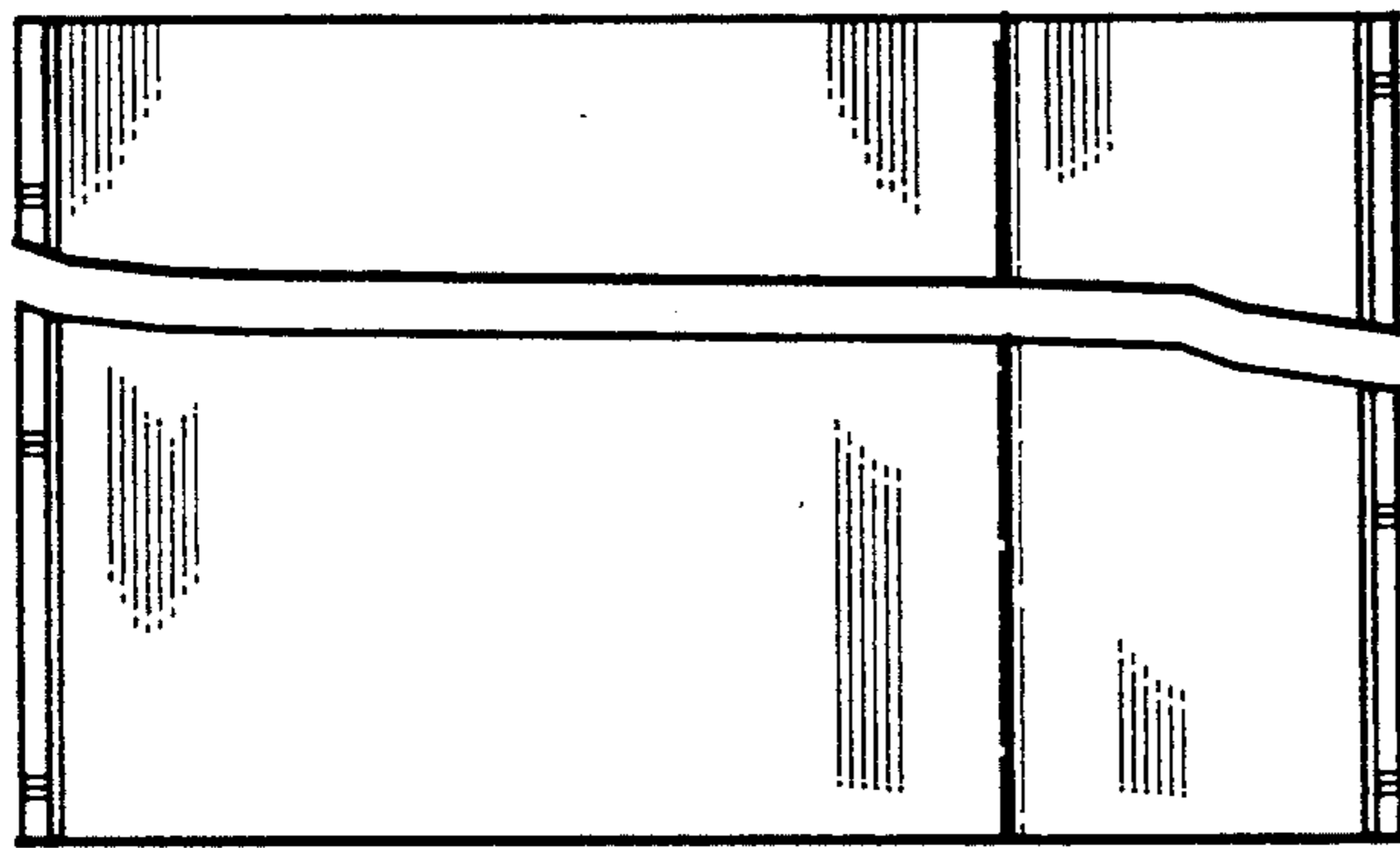


FIG. 3

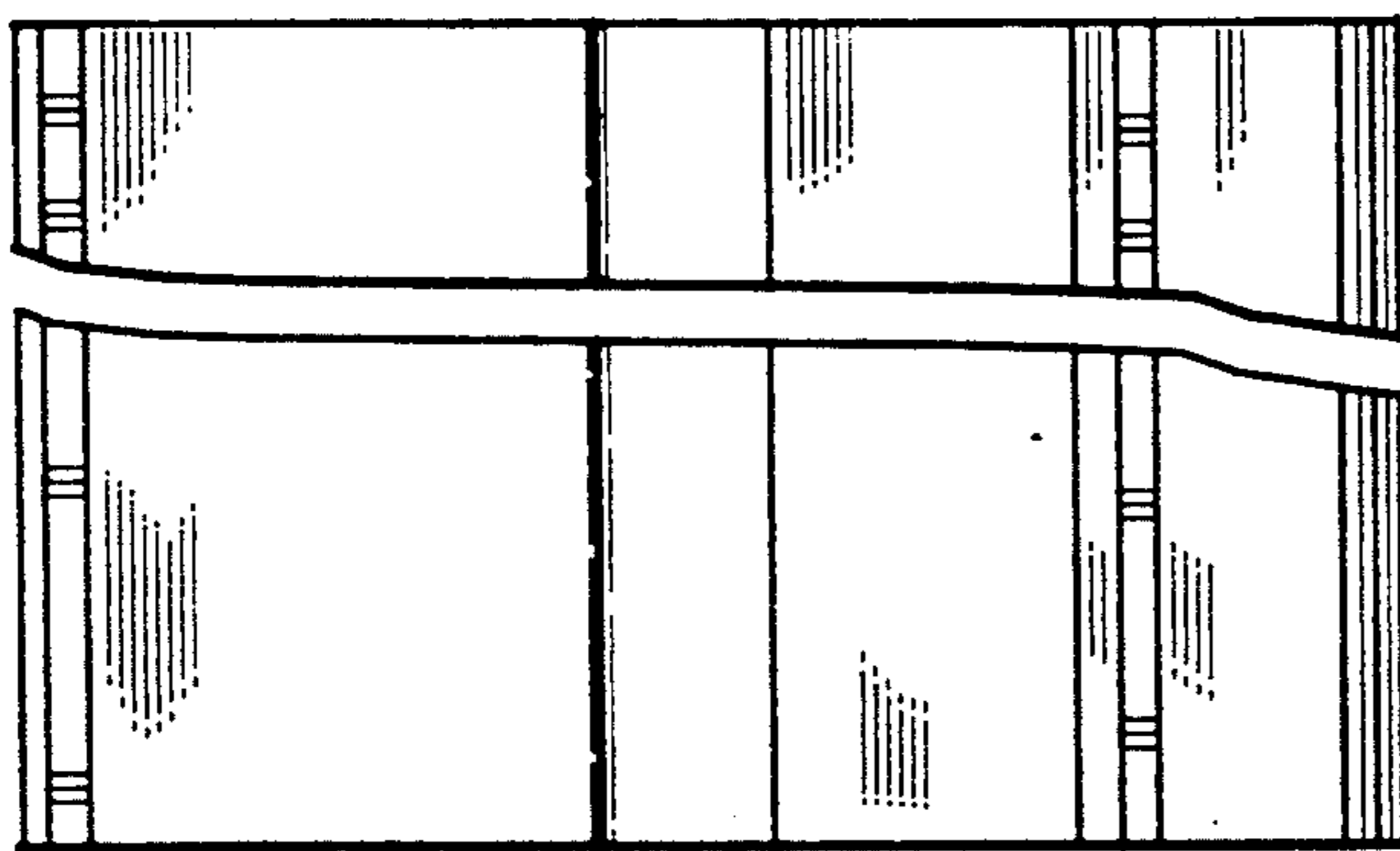


FIG. 4

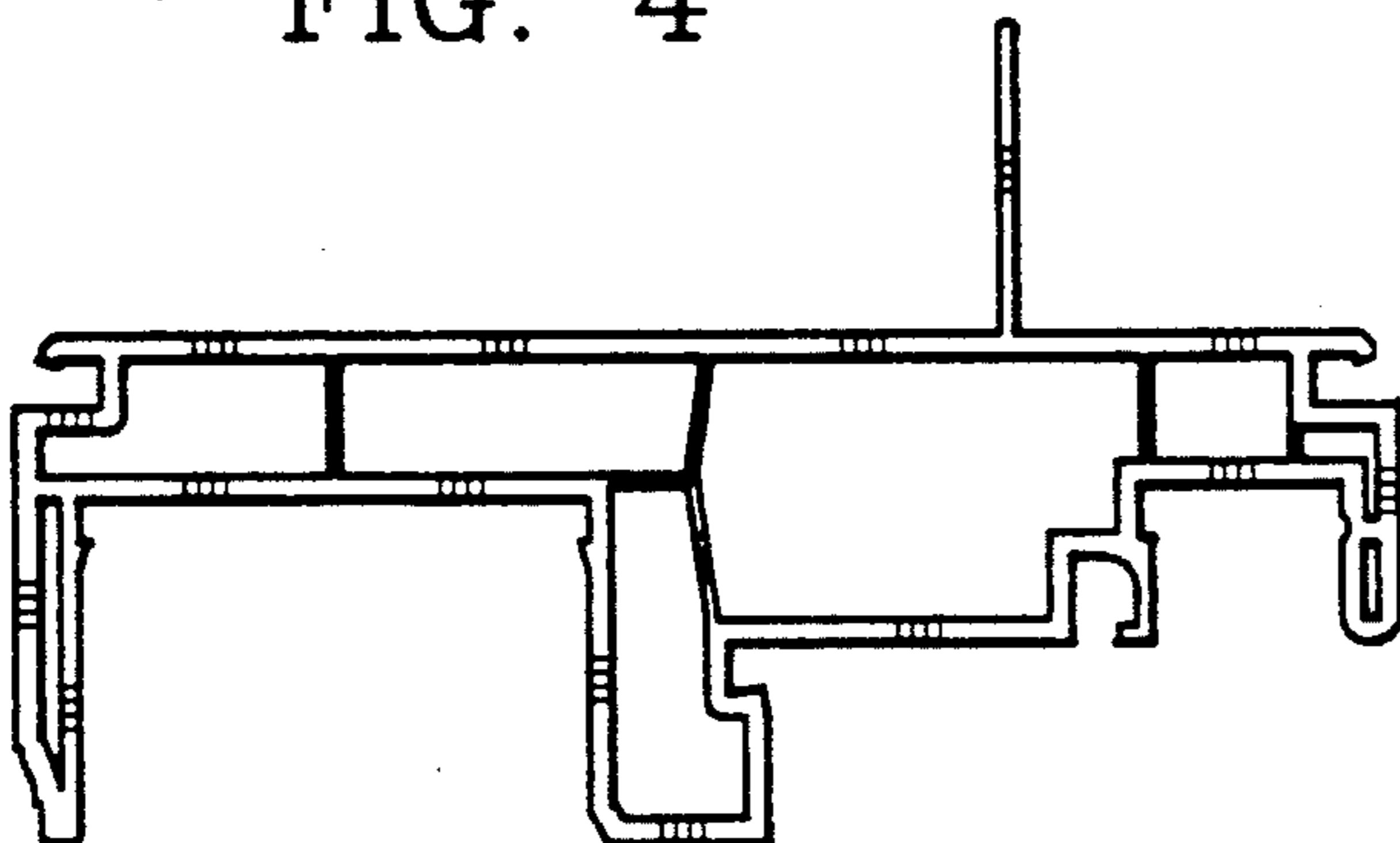


FIG. 5

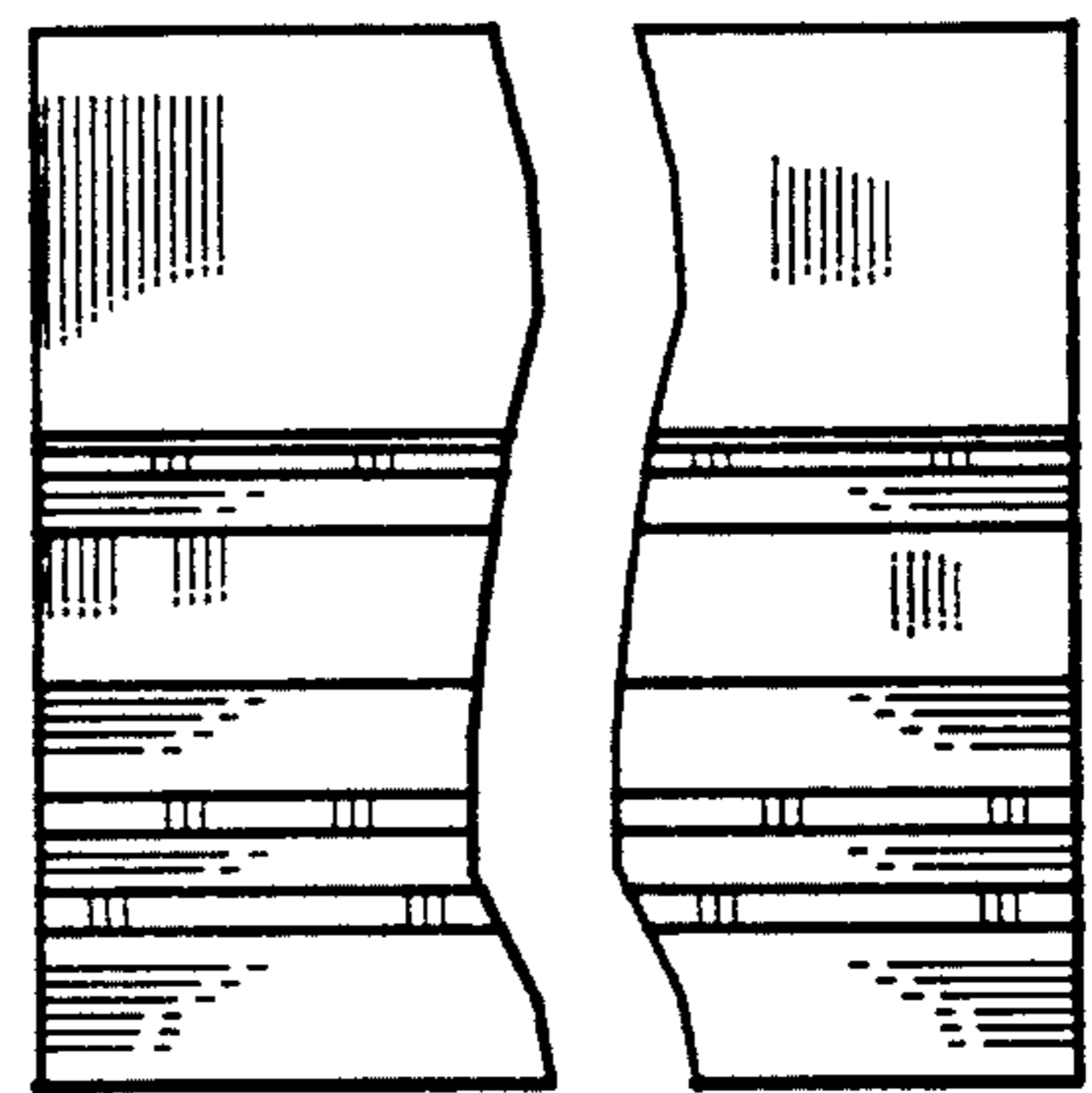


FIG. 6

