



US00D346667S

United States Patent [19]

[11] Patent Number: **Des. 346,667**

Blomquist et al.

[45] Date of Patent: **** May 3, 1994**

[54] RETAINING WALL BLOCK

DESCRIPTION

[75] Inventors: **Peter J. Blomquist**, Lake Elmo; **Todd P. Strand**, Forest Lake, both of Minn.

FIG. 1 is a perspective view of a retaining wall block showing our new design;

FIG. 2 is a front elevational view thereof;

FIG. 3 is a rear elevational view thereof;

FIG. 4 is a side elevational view thereof, as viewed from the right in FIG. 2;

FIG. 5 is a side elevational view thereof, as viewed from the left in FIG. 2;

FIG. 6 is a top plan view thereof;

FIG. 7 is a bottom plan view thereof;

FIG. 8 is a perspective view of a second embodiment of a retaining wall block showing our new design;

FIG. 9 is a front elevational view thereof of the retaining wall block of FIG. 8;

FIG. 10 is a rear elevational view of the retaining wall block of FIG. 8;

FIG. 11 is a side elevational view of the retaining wall block of FIG. 8, as taken from the right in FIG. 9;

FIG. 12 is a left elevational view of the retaining wall block of FIG. 8, as taken from the left in FIG. 9;

FIG. 13 is a top plan view of the retaining wall block of FIG. 8;

FIG. 14 is a bottom plan view of the retaining wall block of FIG. 8;

FIG. 15 is a perspective view of a third embodiment of a retaining wall block showing our new design;

FIG. 16 is a front elevational view thereof of the retaining wall block of FIG. 15;

FIG. 17 is a rear elevational view of the retaining wall block of FIG. 15;

FIG. 18 is a side elevational view of the retaining wall block of FIG. 15, as taken from the right in FIG. 15;

FIG. 19 is a left elevational view of the retaining wall block of FIG. 15, as taken from the left in FIG. 16;

FIG. 20 is a top plan view of the retaining wall block of FIG. 15; and,

FIG. 21 is a bottom plan view of the retaining wall block of FIG. 15.

[73] Assignee: **Kiltie Corporation**, North St. Paul, Minn.

[**] Term: **14 Years**

[21] Appl. No.: **942,074**

[22] Filed: **Sep. 9, 1992**

[52] U.S. Cl. **D25/113**

[58] Field of Search 52/596, 598, 607-609; 405/284, 286; D25/113-118

[56] References Cited

U.S. PATENT DOCUMENTS

198,651	12/1877	McMullen	404/34
D. 249,558	9/1978	Blomqvist	D25/2
D. 295,788	5/1988	Forsberg	D25/113
D. 319,885	9/1991	Blomquist et al.	D25/113
D. 321,060	10/1991	Blomquist et al.	D25/118
697,014	4/1902	Putnam	D25/113
4,860,505	8/1989	Bender	52/98
4,884,378	12/1989	Scheiniller	405/284
4,993,206	2/1991	Pardo	405/286
5,044,834	9/1991	Janopaul, Jr.	405/286

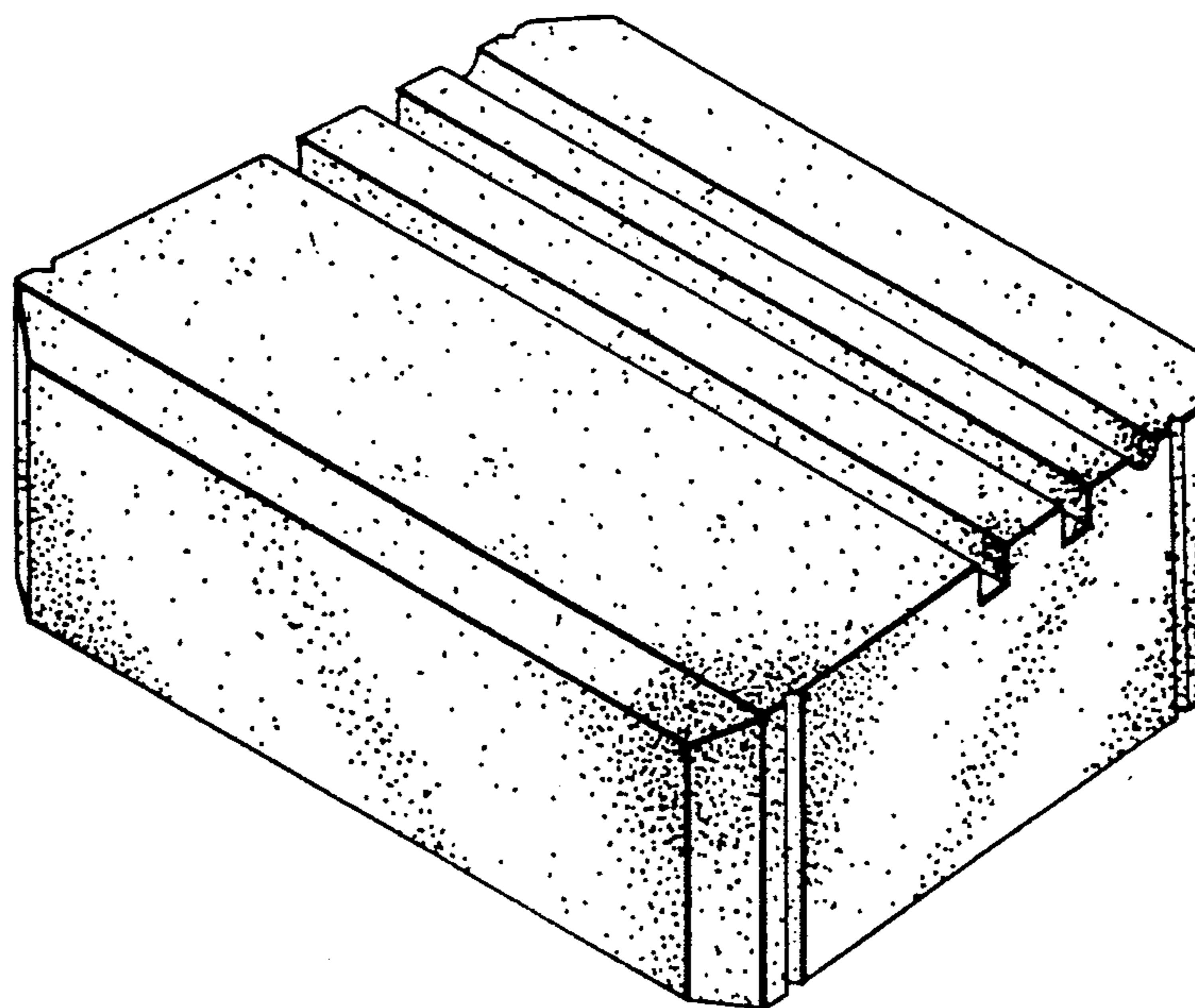
Primary Examiner—A. Hugo Word

Assistant Examiner—Doris Clark

Attorney, Agent, or Firm—Kinney & Lange

[57] CLAIM

The ornamental design for a retaining wall block, as shown and described.



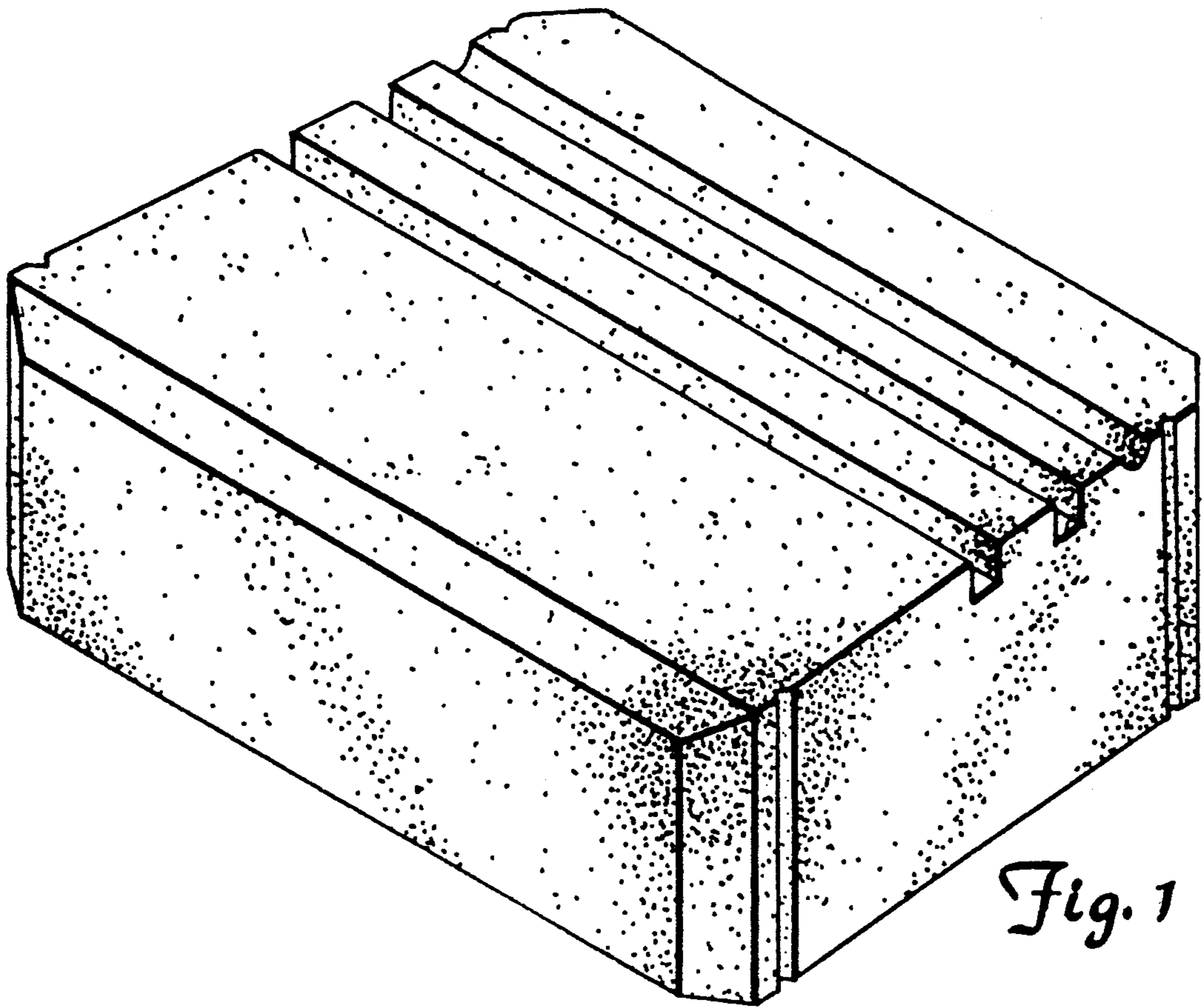


Fig. 1

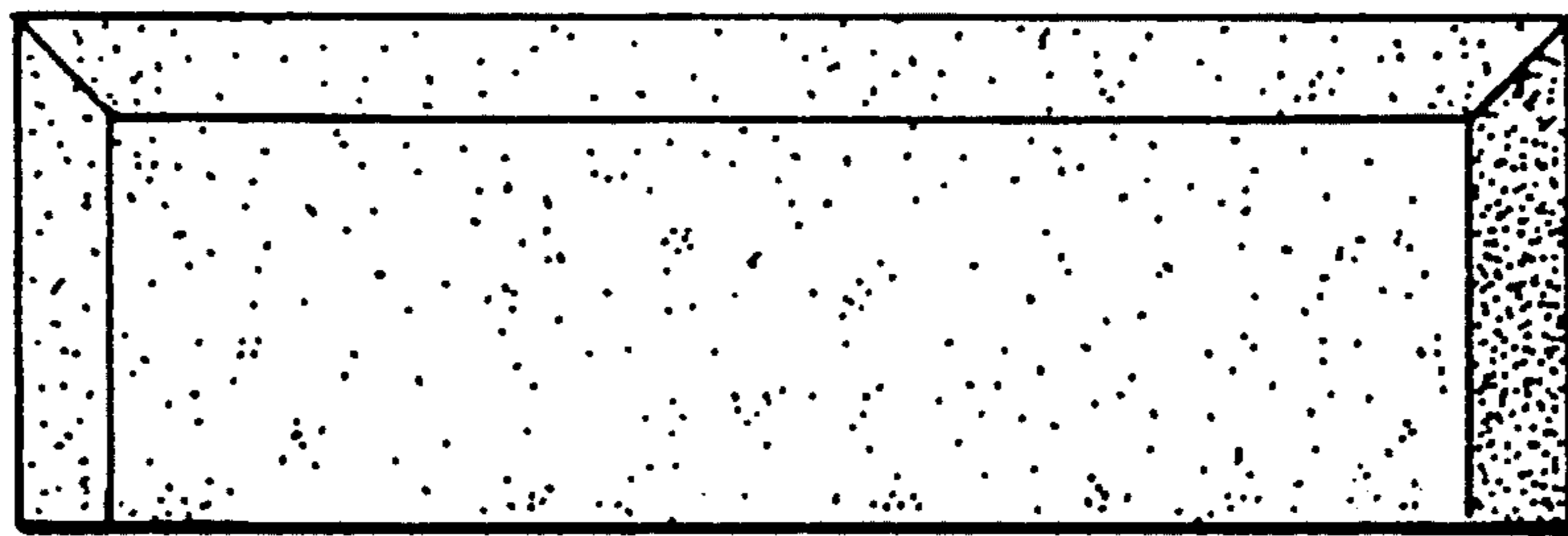


Fig. 2

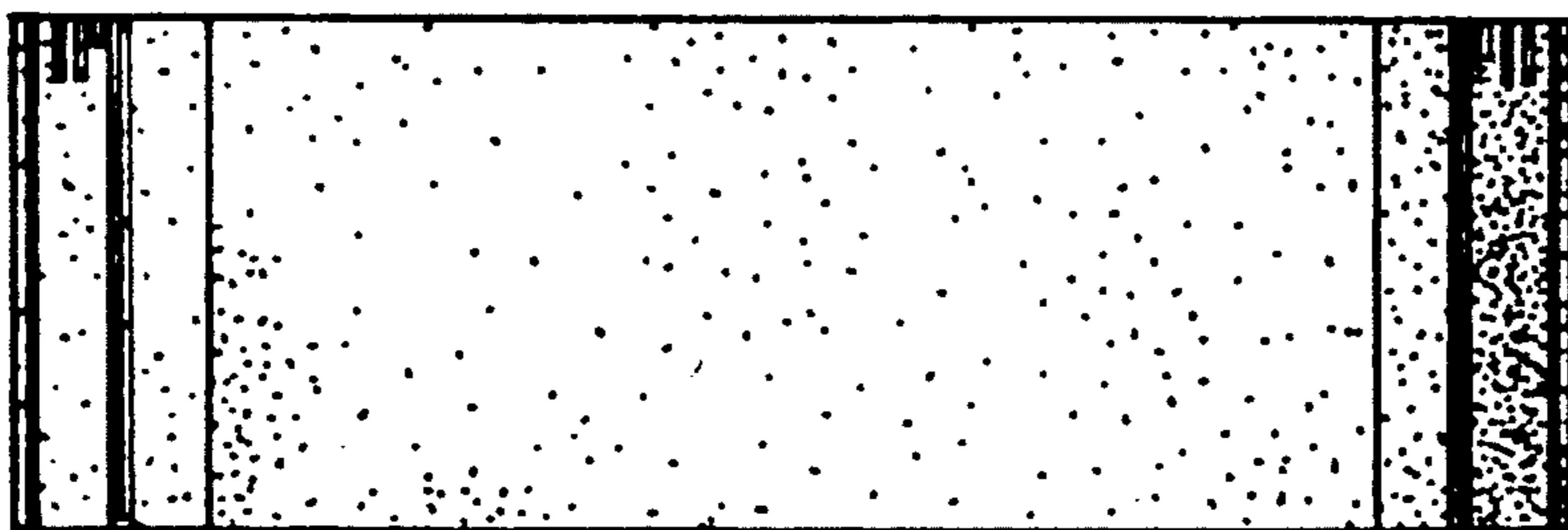


Fig. 3



Fig. 4

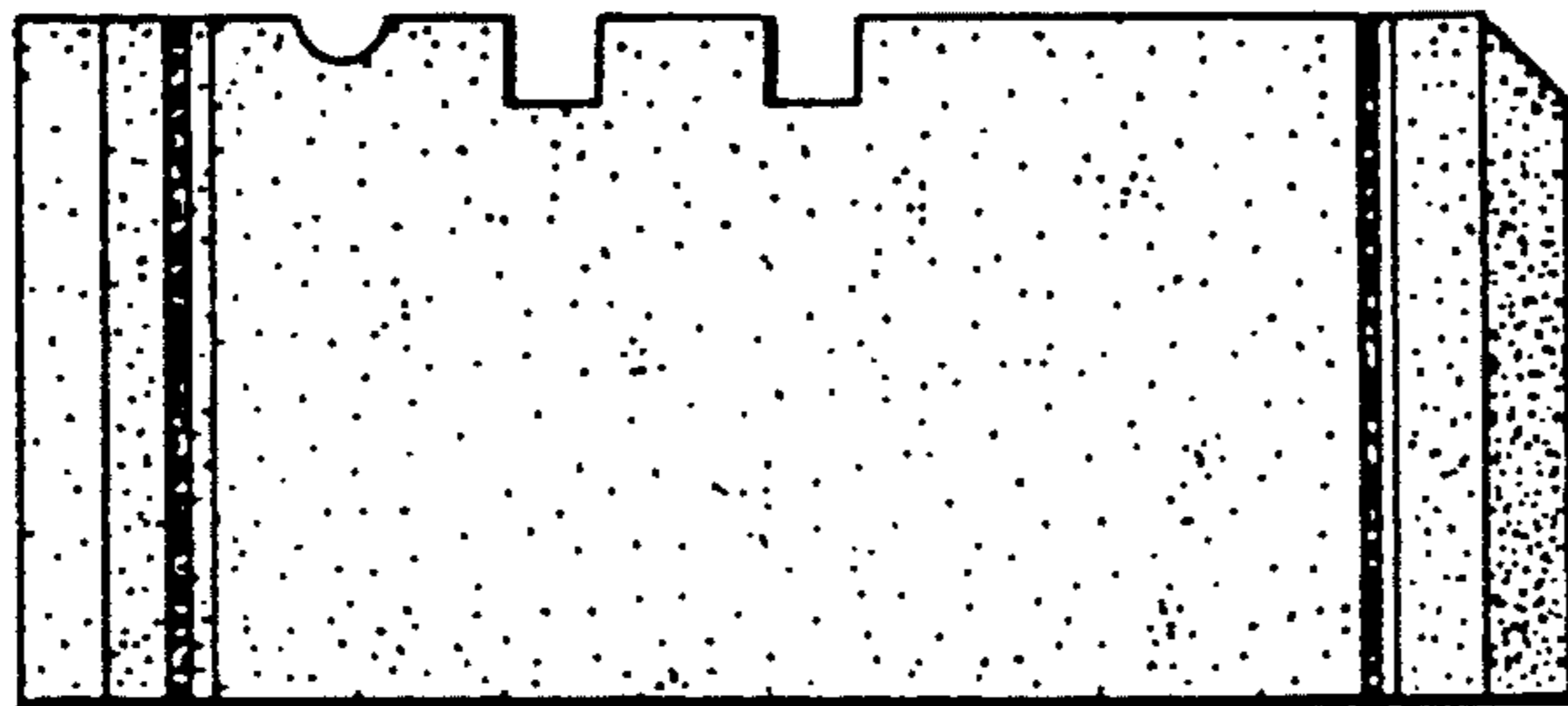


Fig. 5

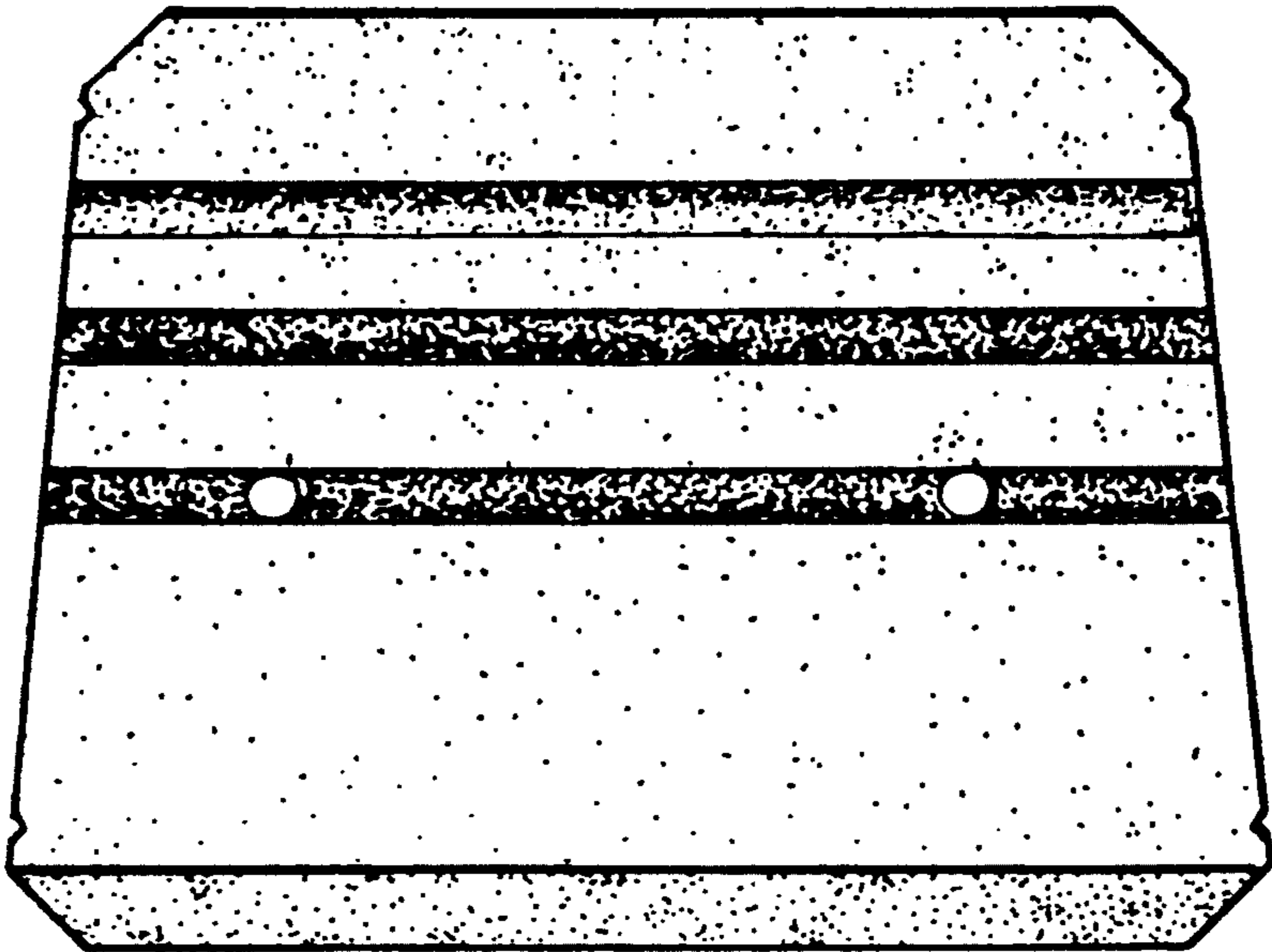


Fig. 6

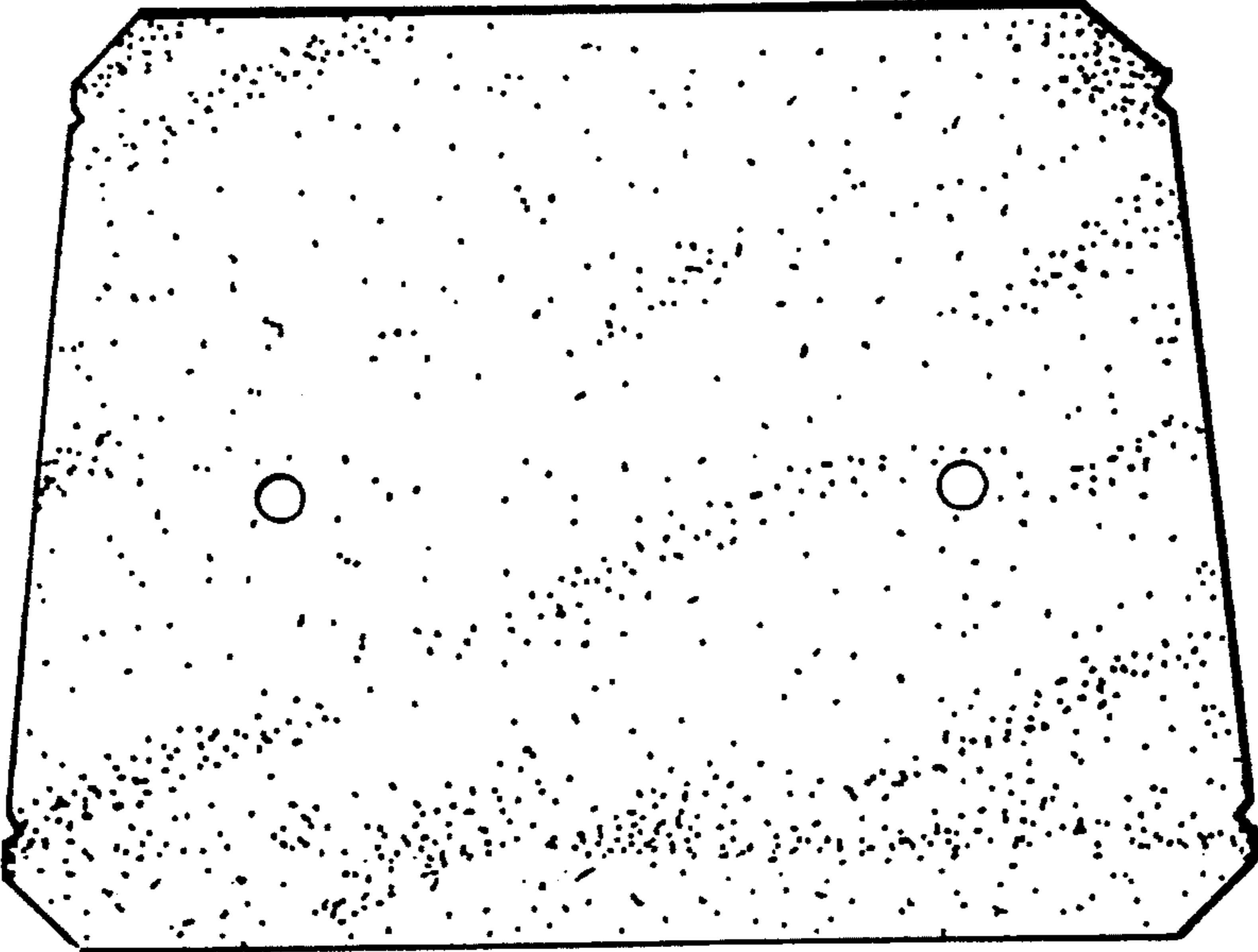


Fig. 7

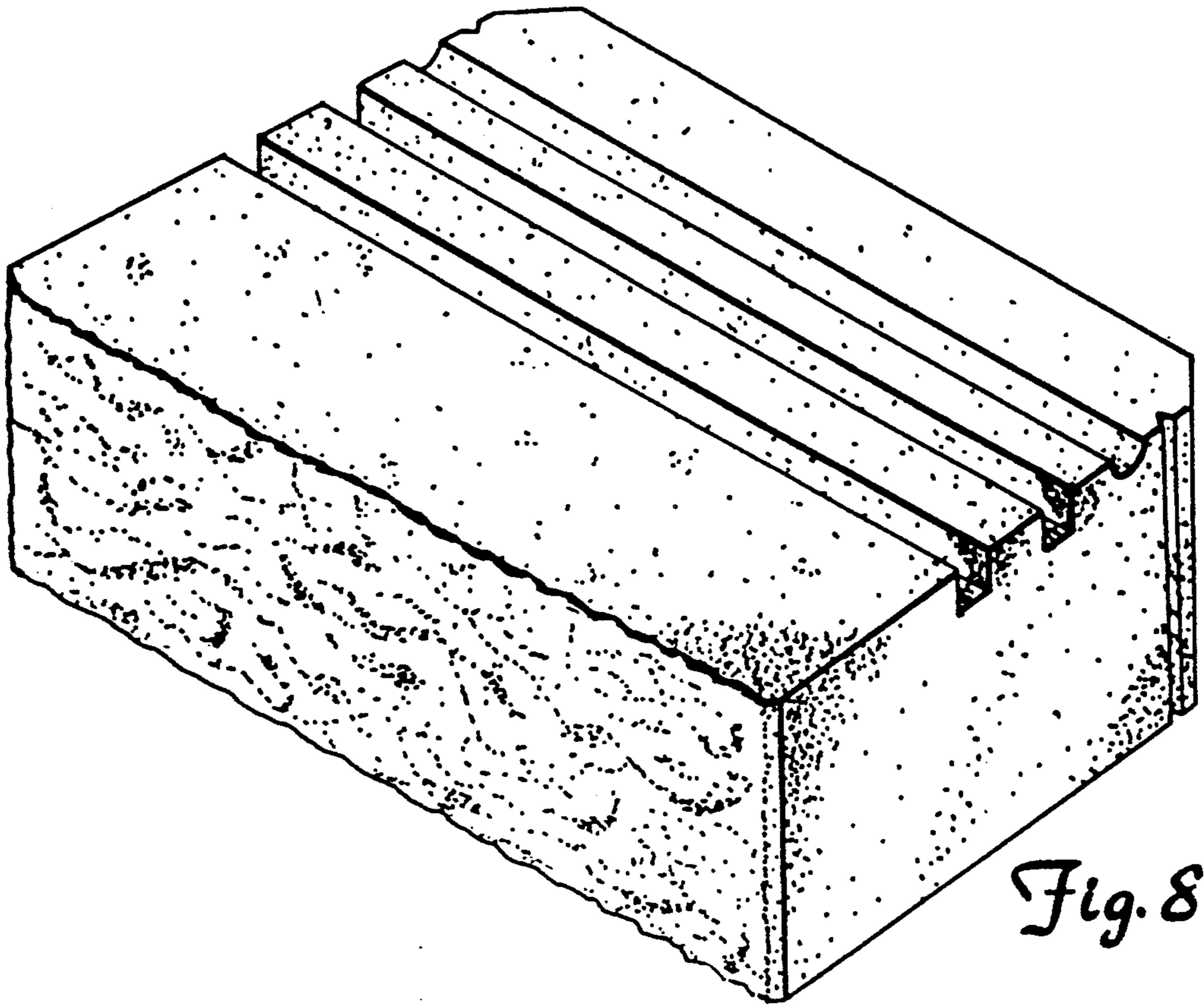


Fig. 8

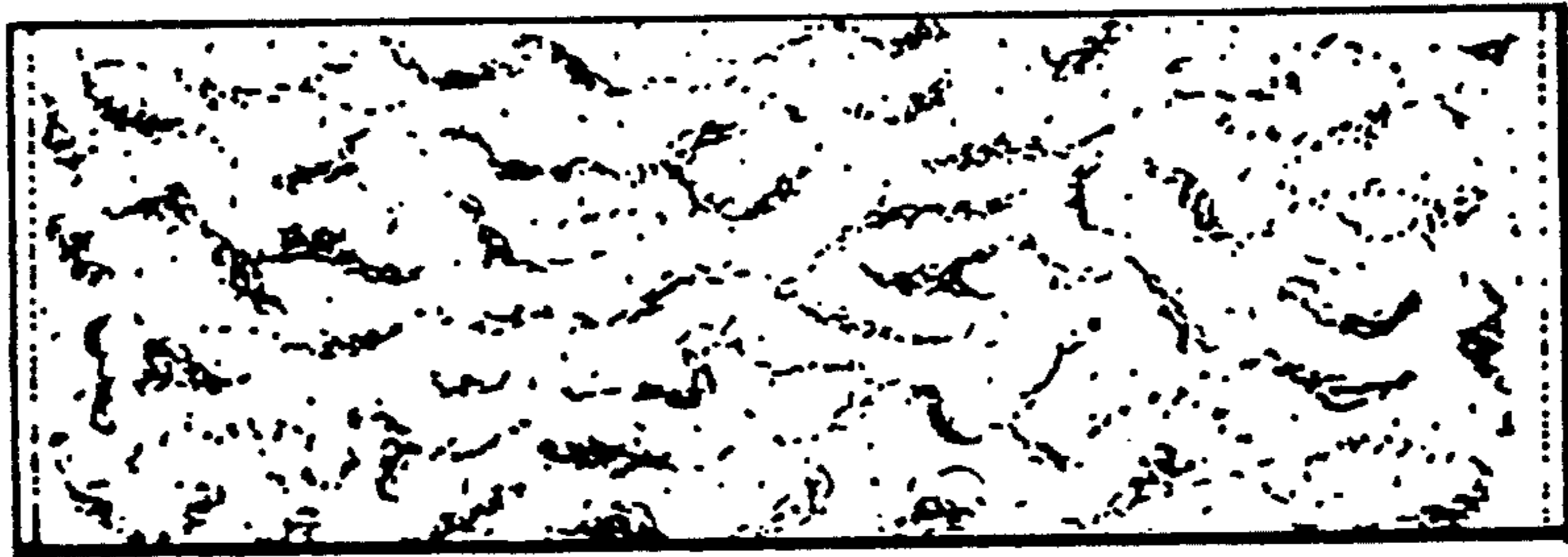


Fig. 9

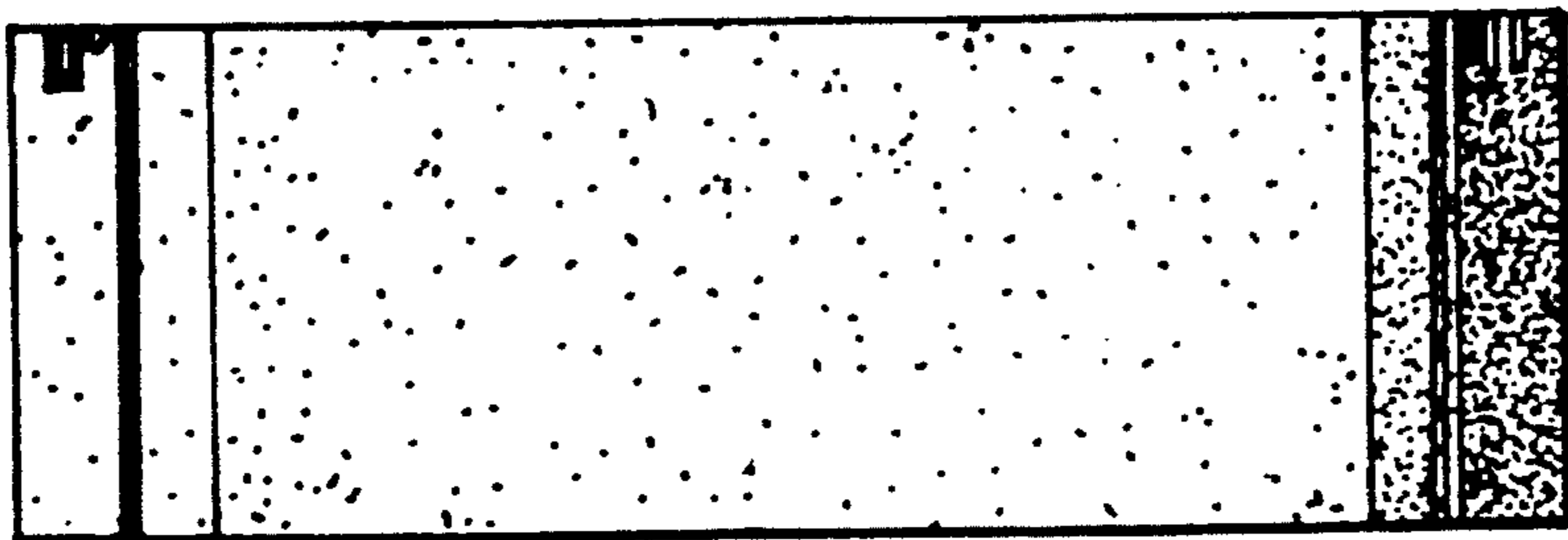


Fig. 10

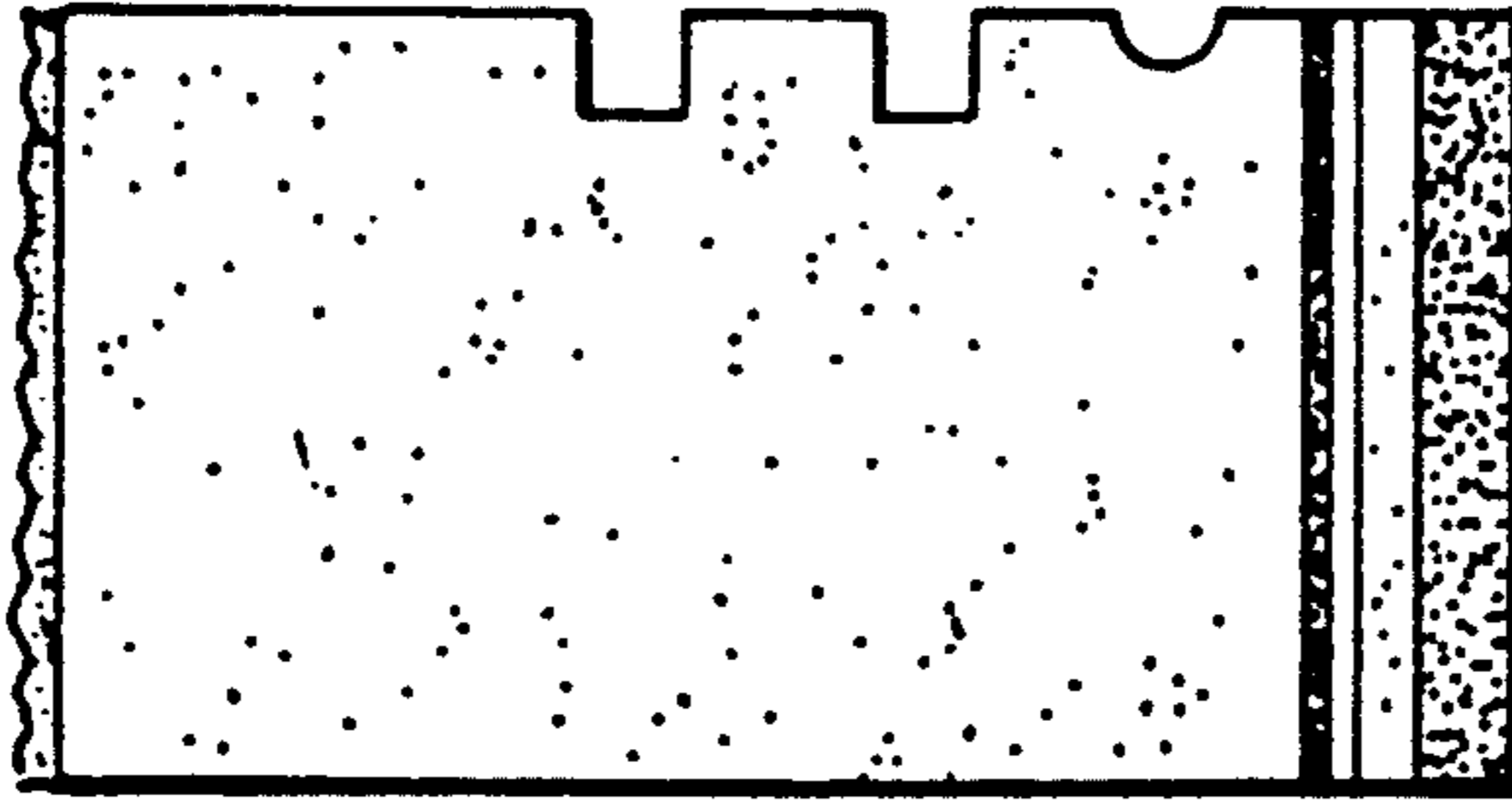


Fig. 11

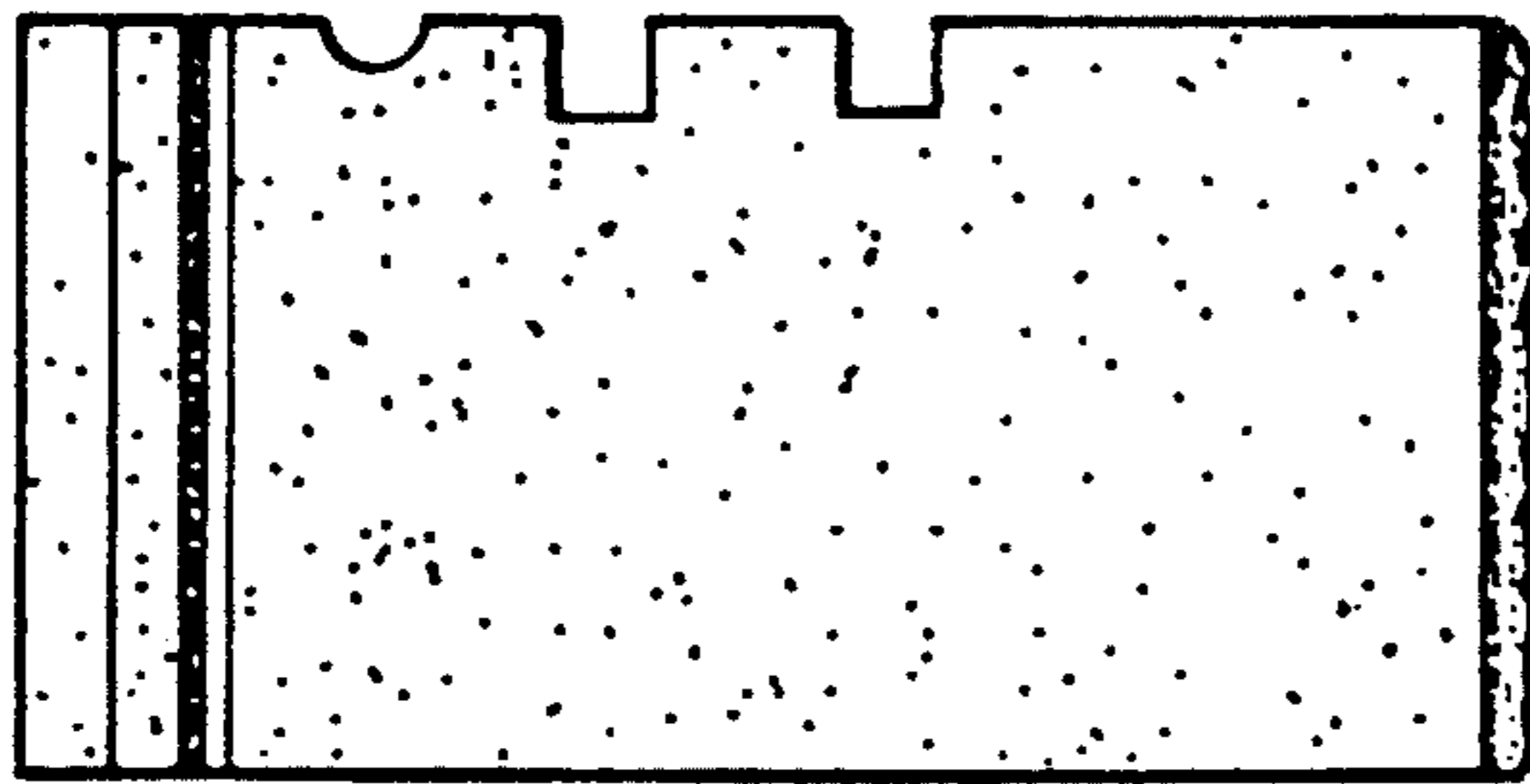


Fig. 12

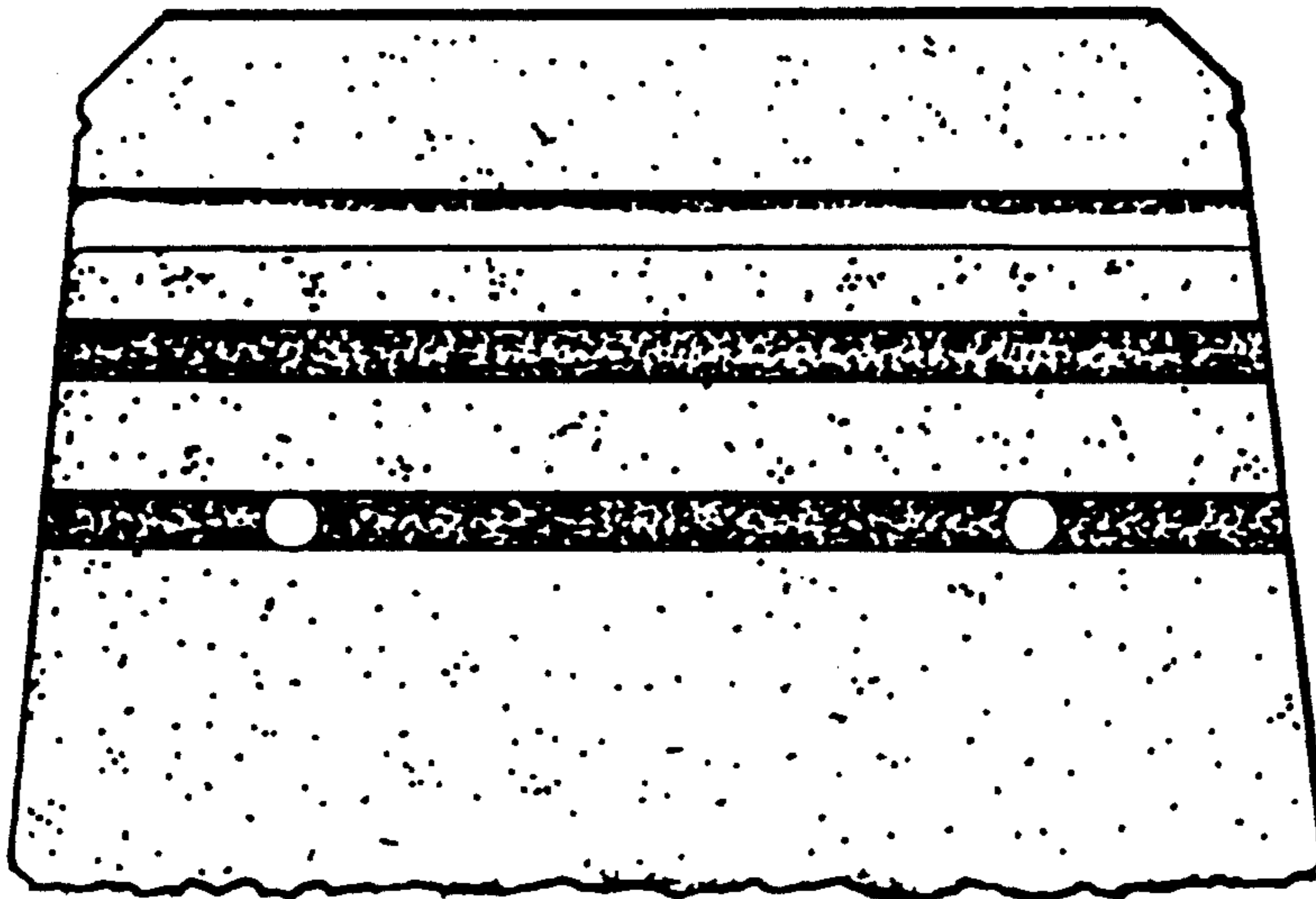


Fig. 13

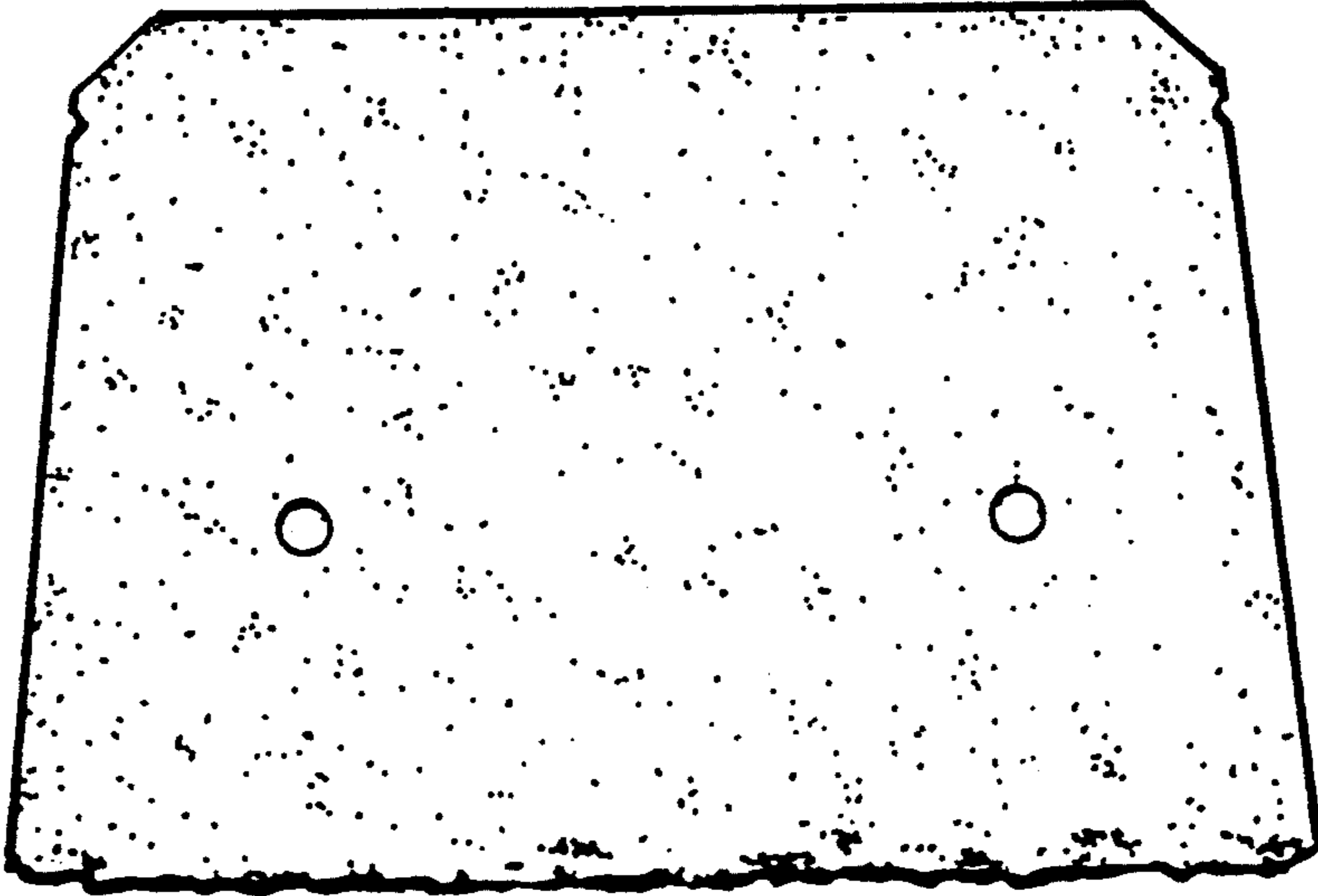


Fig. 14

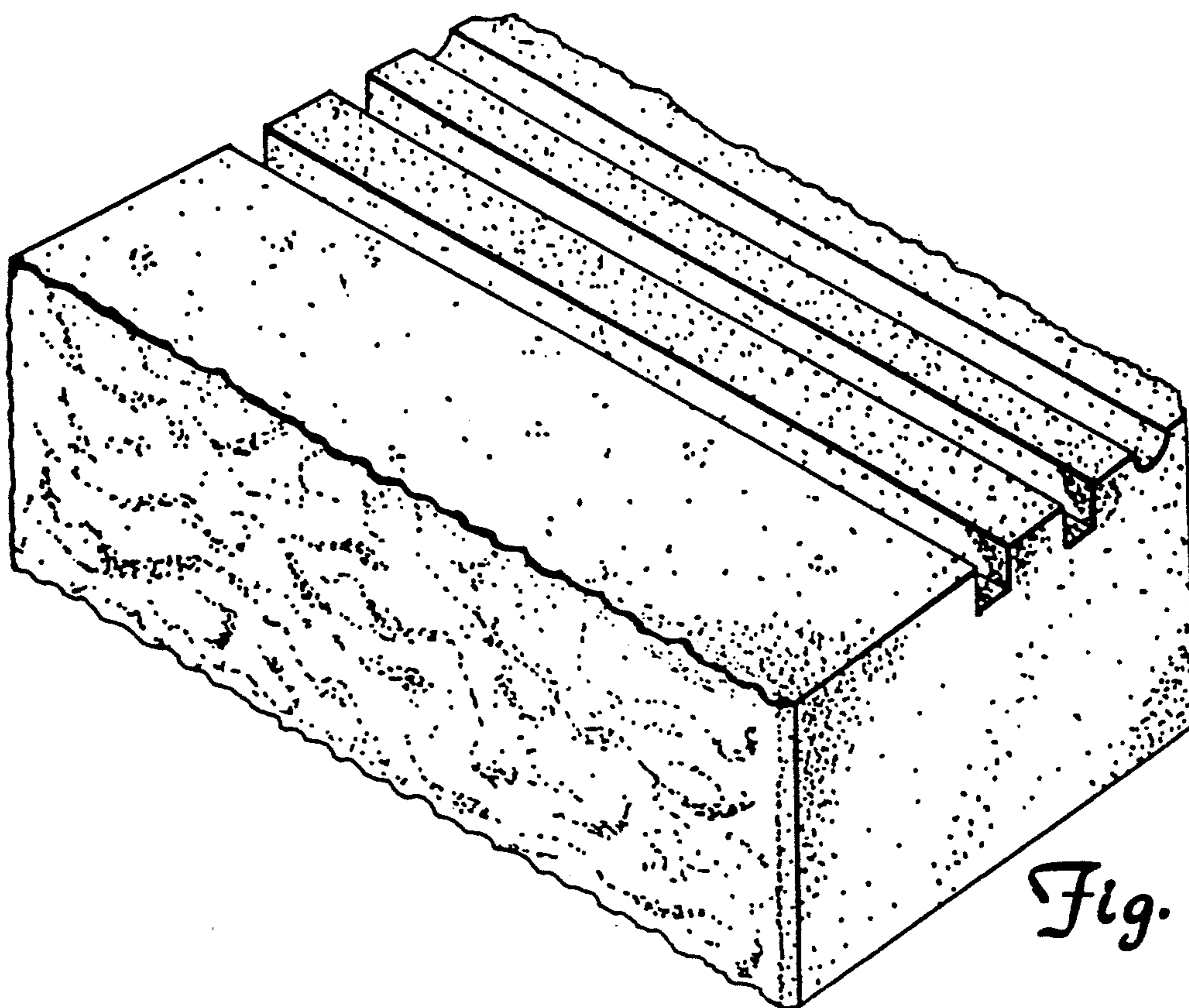


Fig. 15

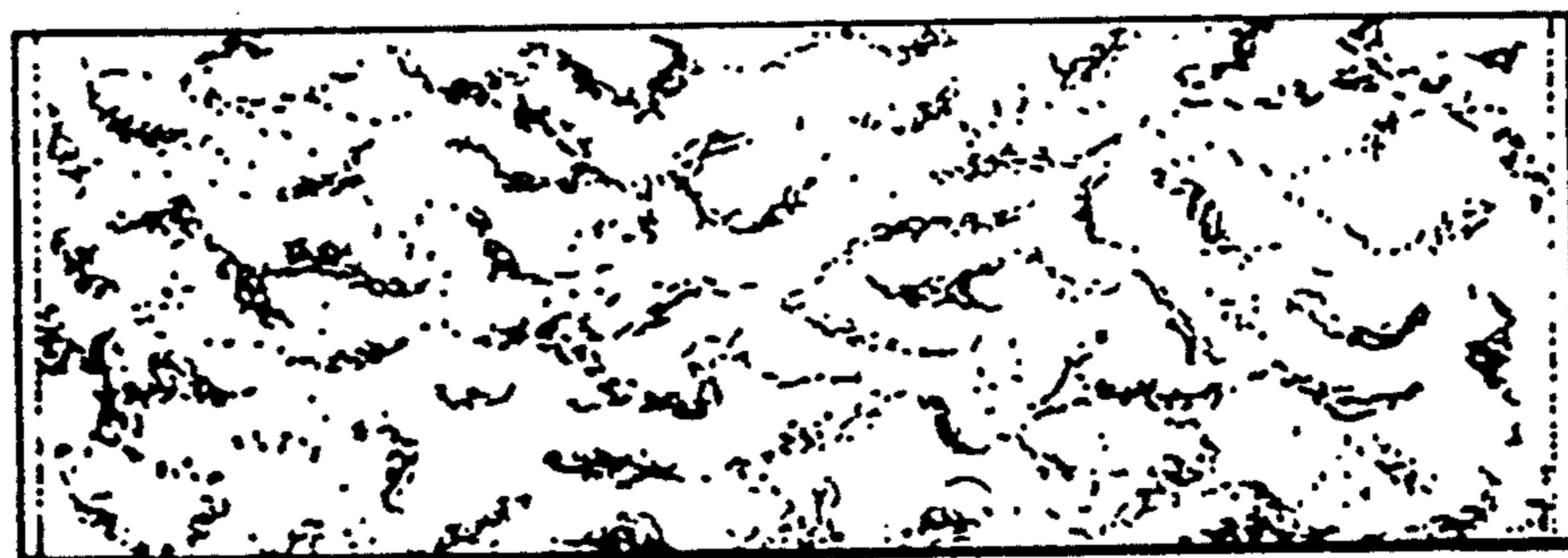


Fig. 16



Fig. 17

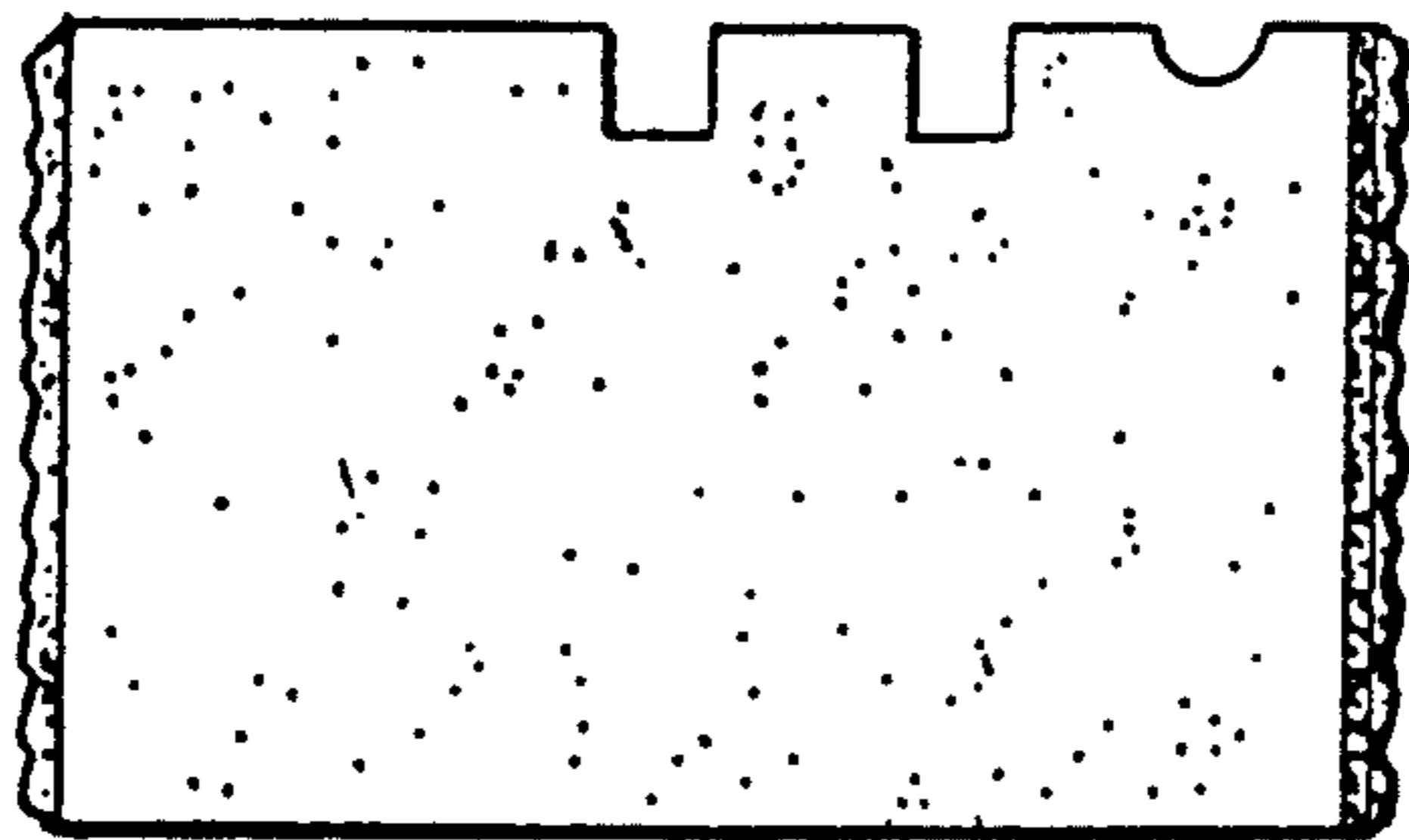


Fig. 18

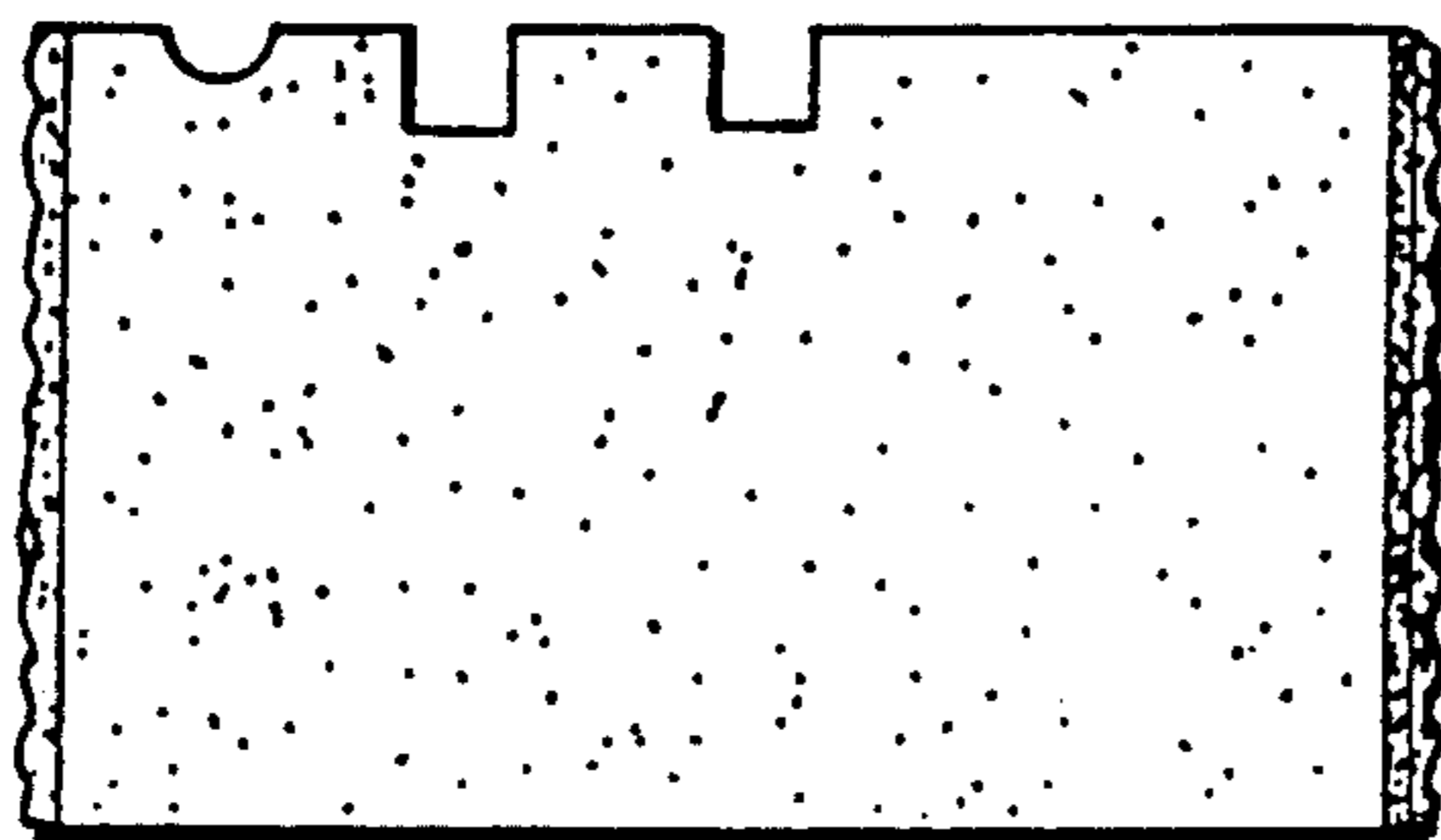


Fig. 19

Fig. 20



Fig. 21

