



US00D346663S

United States Patent [19]
McKnight

[11] **Patent Number: Des. 346,663**
[45] **Date of Patent: ** May 3, 1994**

[54] **CORNICE COVER**

[75] **Inventor: Arnold McKnight, Chicago, Ill.**

[73] **Assignee: Thermo Plastics Display, Inc., Chicago, Ill.**

[**] **Term: 14 Years**

[21] **Appl. No.: 866,228**

[22] **Filed: Apr. 8, 1992**

[52] **U.S. Cl. D25/55**

[58] **Field of Search 52/242, 288; 160/19, 160/29; D25/55, 136**

[56] **References Cited**

U.S. PATENT DOCUMENTS

D. 91,441	6/1869	Hill	D25/55
D. 150,554	8/1948	Cline	D25/55
D. 167,176	7/1952	Schaefer	D25/55
1,304,678	5/1919	Goodrow	D25/55
2,904,991	9/1959	Varghan et al.	52/242
2,922,029	1/1960	Eschelbach et al.	52/242
4,706,427	11/1987	Zeilinger	52/288

Primary Examiner—A. Hugo Word

Assistant Examiner—Doris Clark

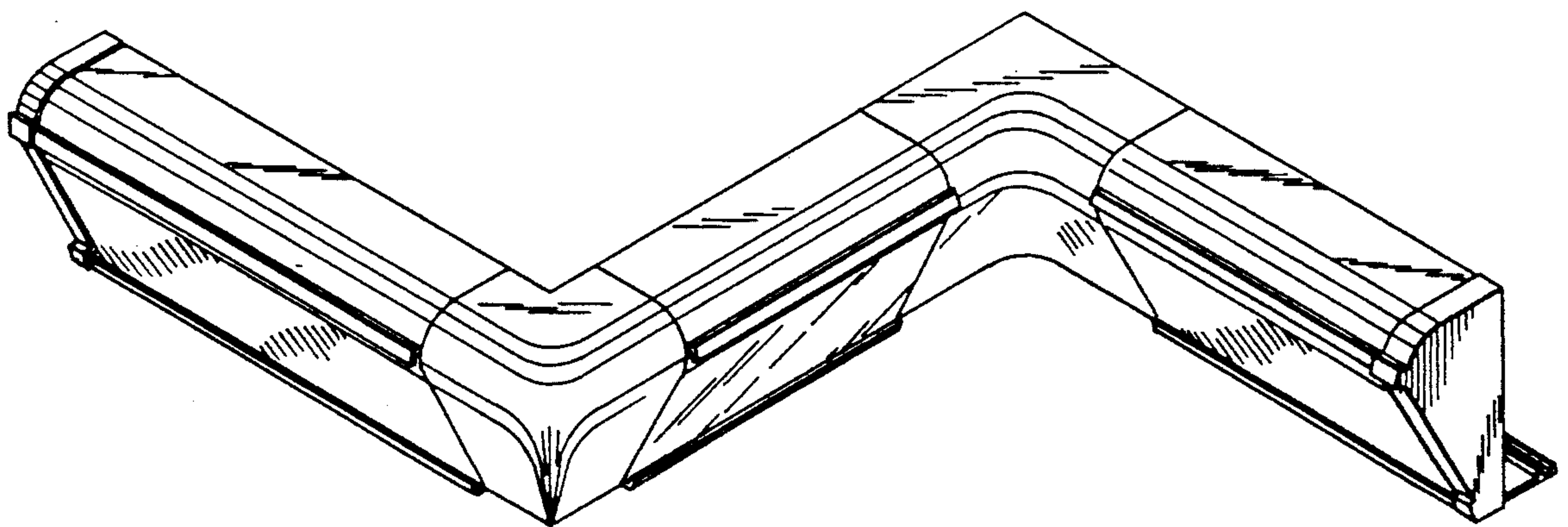
Attorney, Agent, or Firm—Flynn, Thiel, Boutell & Tanis

[57] **CLAIM**

The ornamental designs for the cornice cover, as shown and described.

DESCRIPTION

FIG. 1 is a top and front perspective view of a cornice cover showing my new design;
 FIG. 2 is a front view of a straight component for the cornice cover;
 FIG. 3 is a top view of FIG. 2;
 FIG. 4 is a bottom view of FIG. 2;
 FIG. 5 is a rear view of FIG. 2;
 FIG. 6 is a right end view of FIG. 2, the left end view being a mirror image thereof;
 FIG. 7 is a front view of an inside corner for the cornice cover, the right side view thereof being a mirror image thereof;
 FIG. 8 is a rear view of FIG. 7, the left side view thereof being a mirror image thereof;
 FIG. 9 is a top view of FIG. 7;
 FIG. 10 is a bottom view of FIG. 7;
 FIG. 11 is a front view of an outside corner for the cornice cover, the right side view thereof being a mirror image thereof;
 FIG. 12 is a rear view of FIG. 11, the left side view thereof being a mirror image thereof;
 FIG. 13 is a top view of FIG. 11;
 FIG. 14 is a bottom view of FIG. 11;
 FIG. 15 is a right side view of a right end panel for the cornice cover;
 FIG. 16 is a left side view of FIG. 15;
 FIG. 17 is a top view of FIG. 15;
 FIG. 18 is a bottom view of FIG. 15;
 FIG. 19 is a front view of FIG. 15; and,
 FIG. 20 is a rear view of FIG. 15.
 The left end panel is a mirror image of the illustrations of FIGS. 15-20.



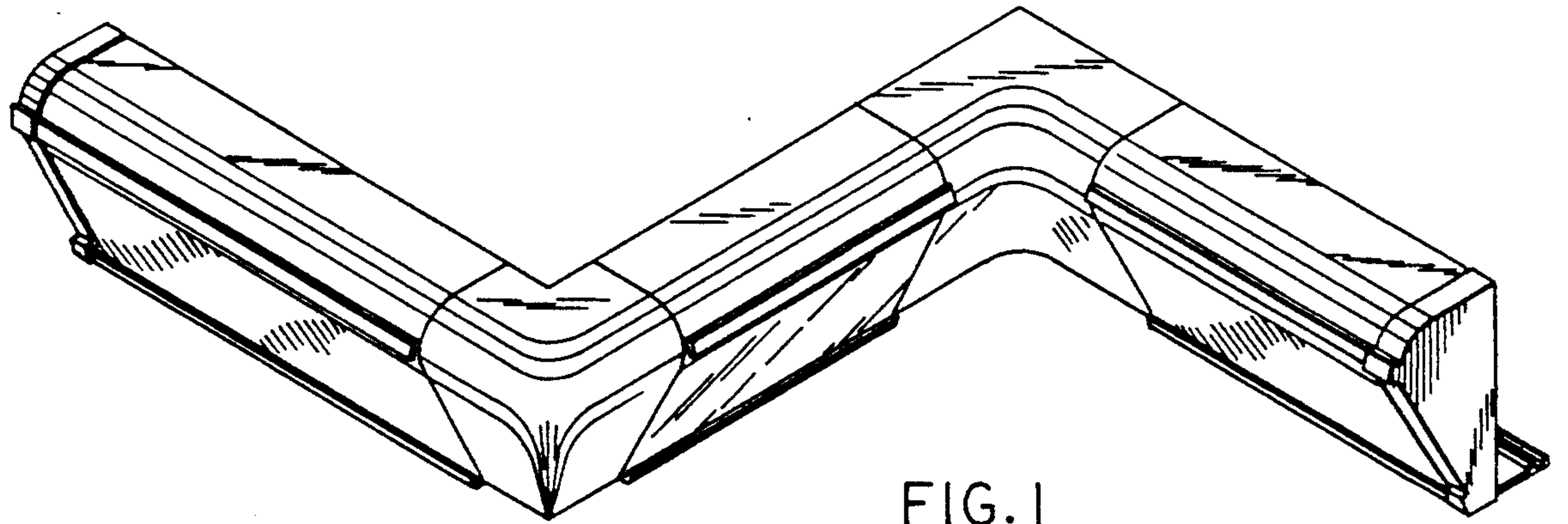


FIG. 1

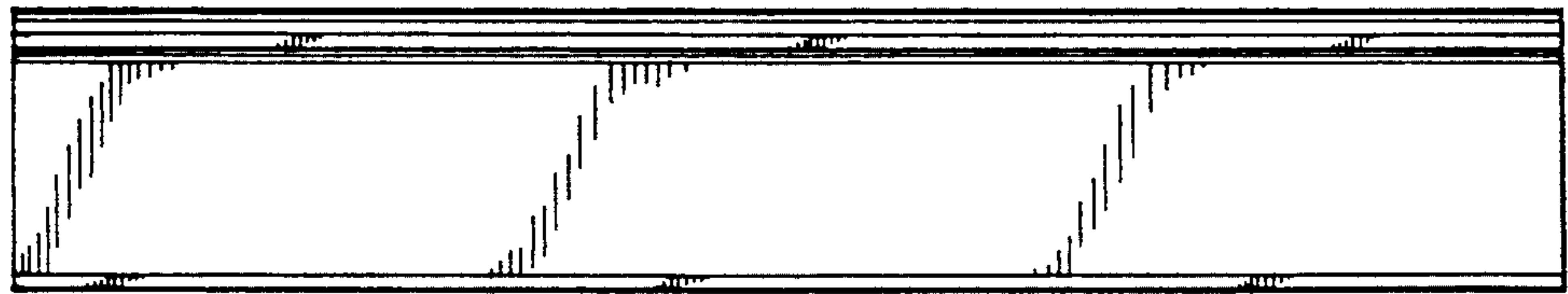


FIG. 2

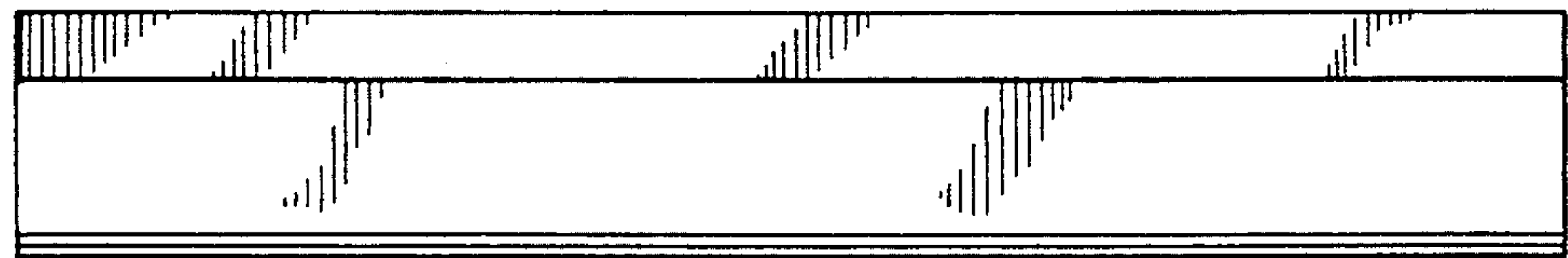


FIG. 3

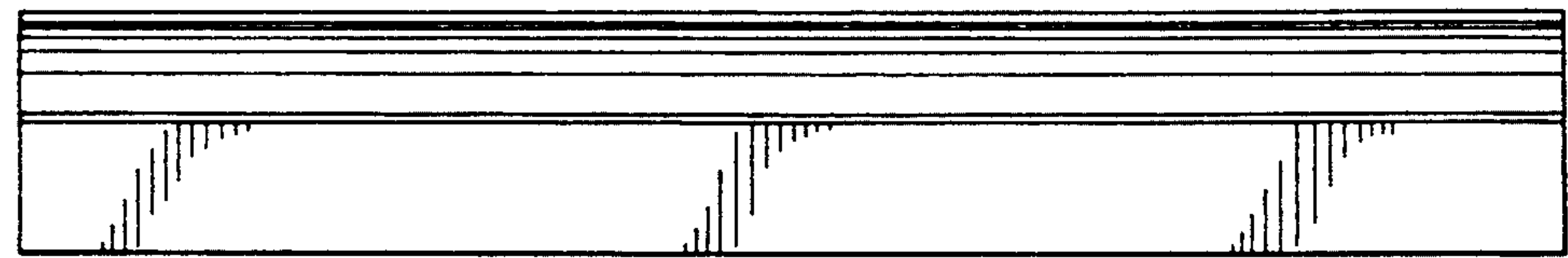


FIG. 4

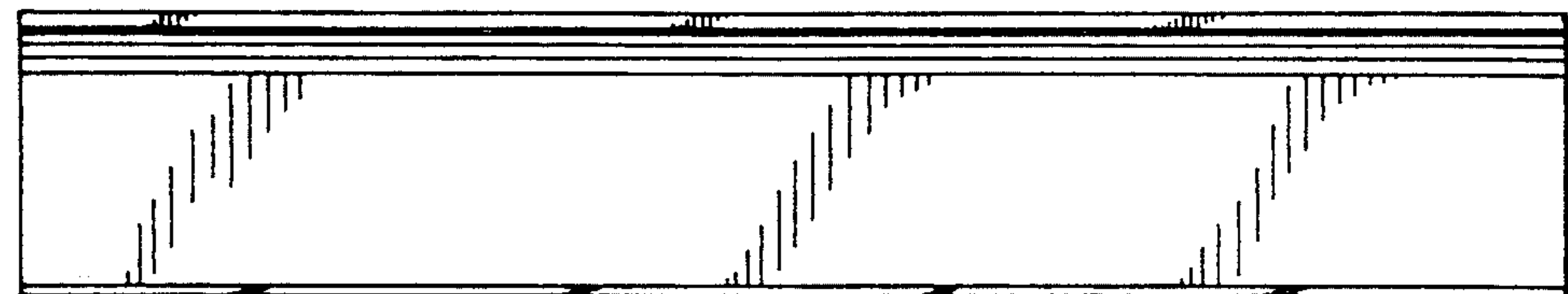


FIG. 5

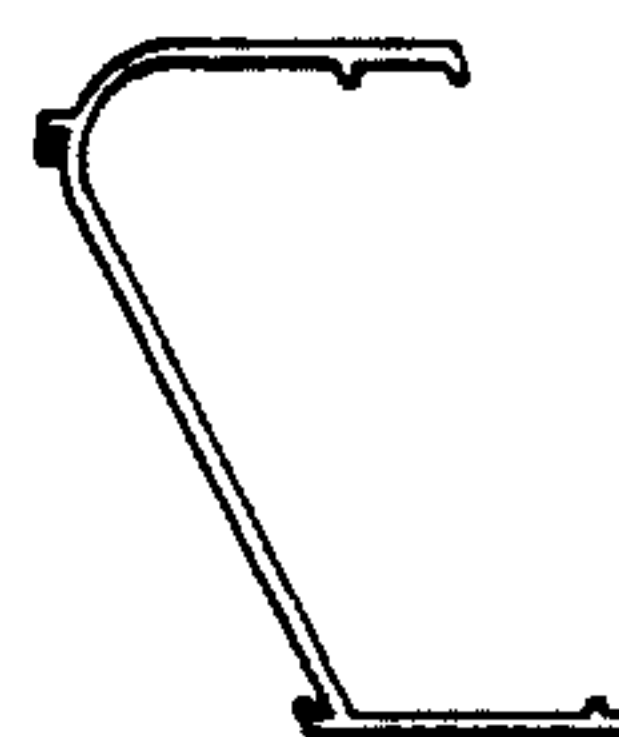


FIG. 6

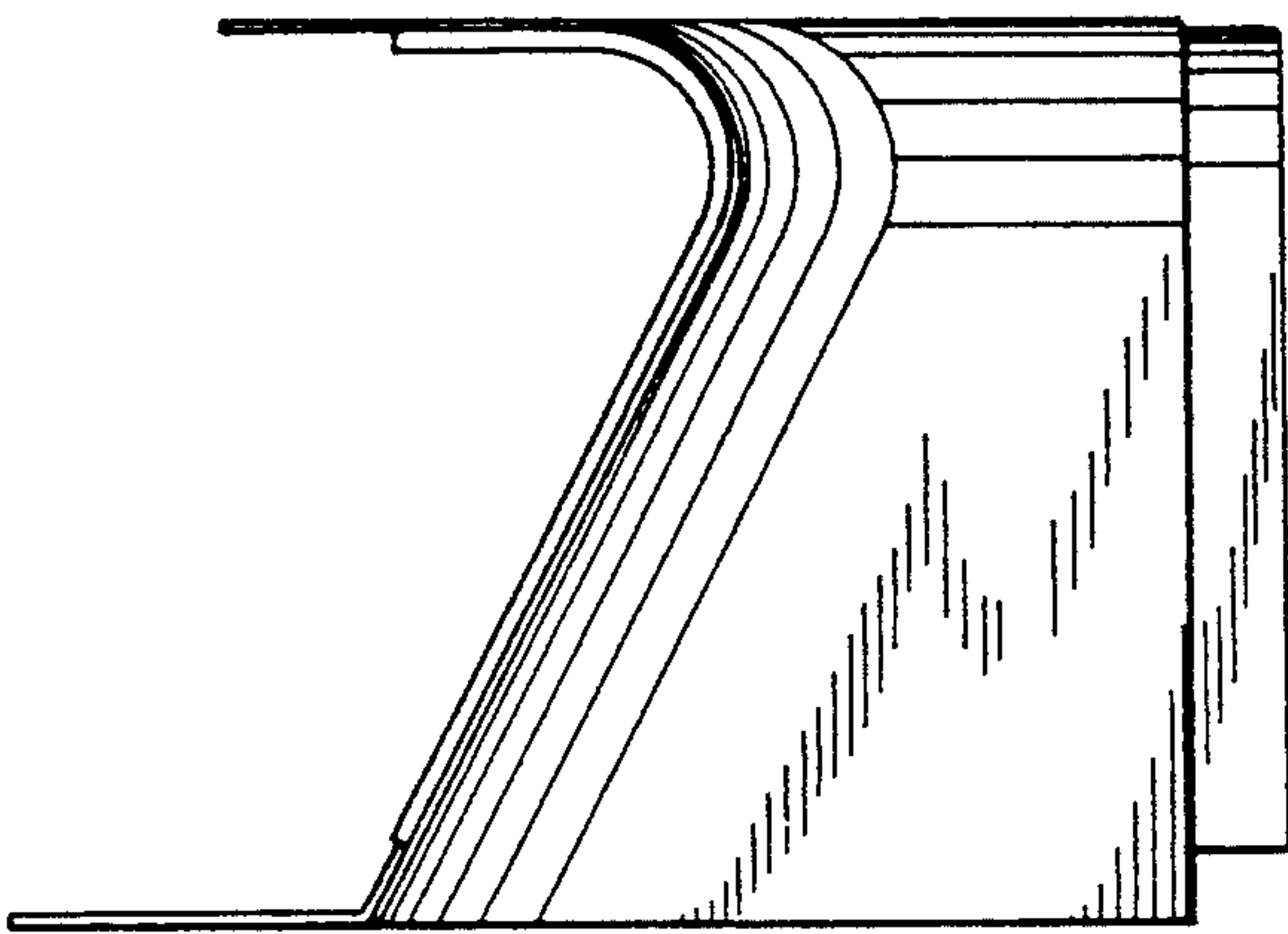


FIG. 7

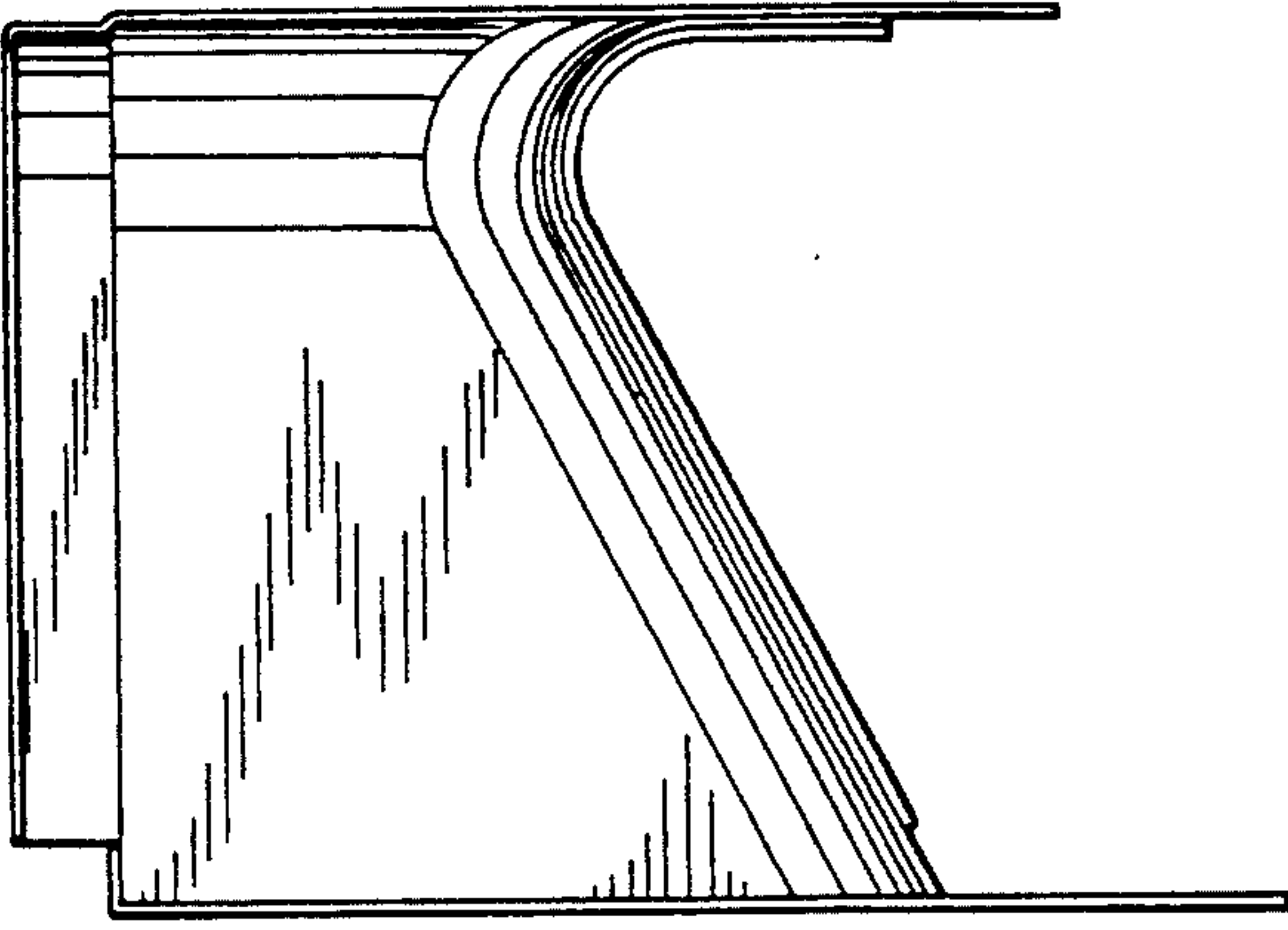


FIG. 8

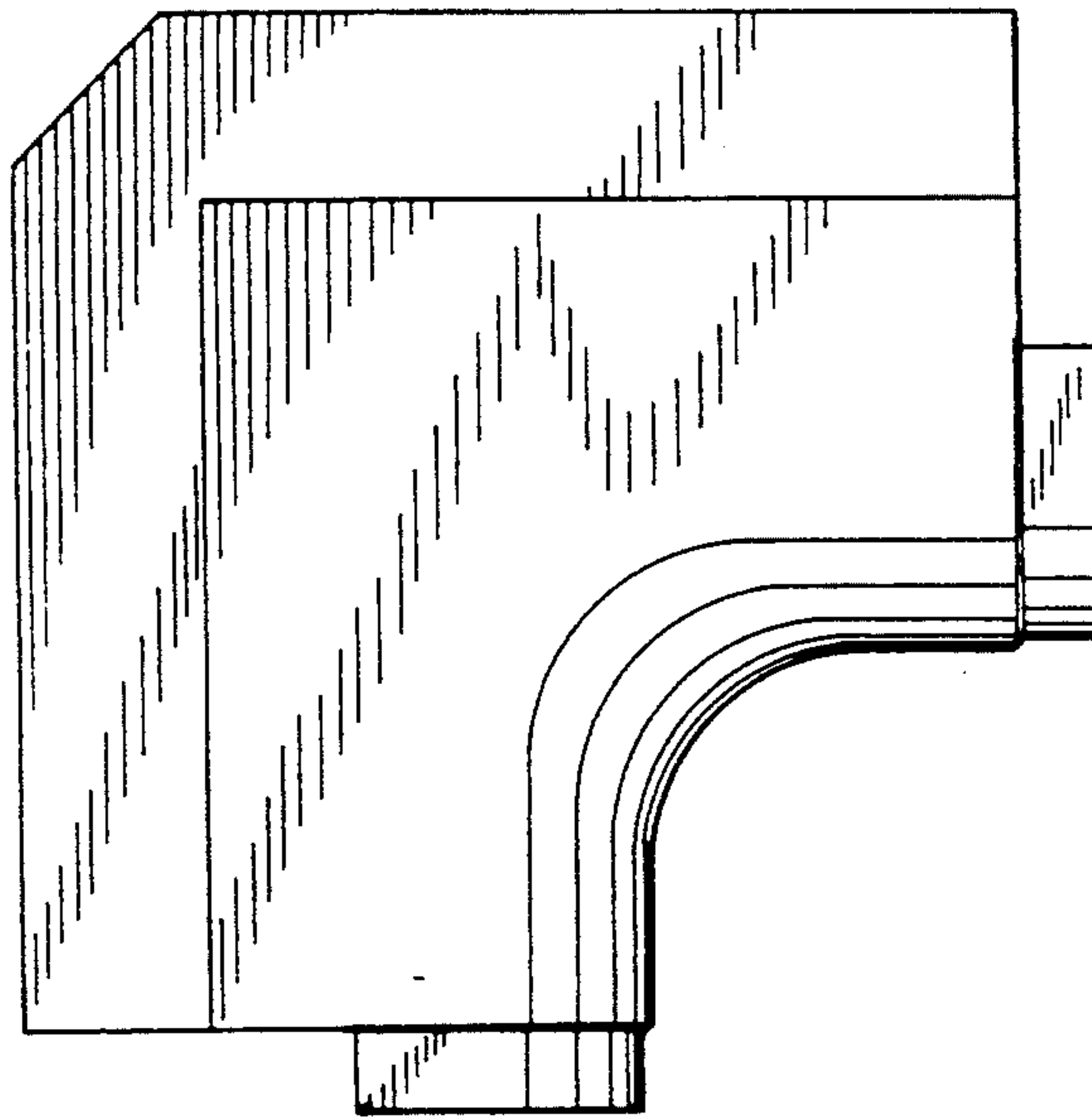


FIG. 9

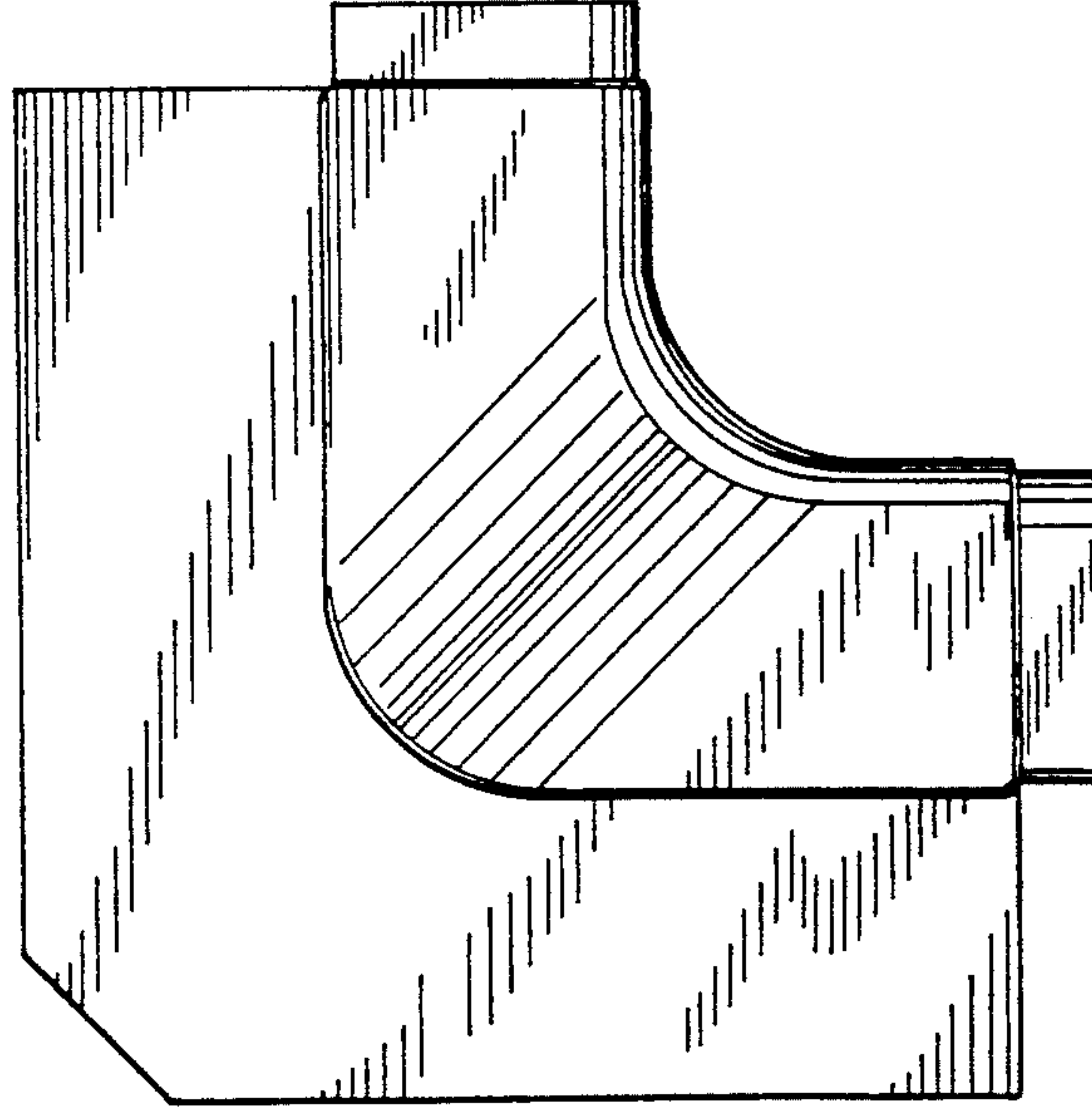


FIG. 10

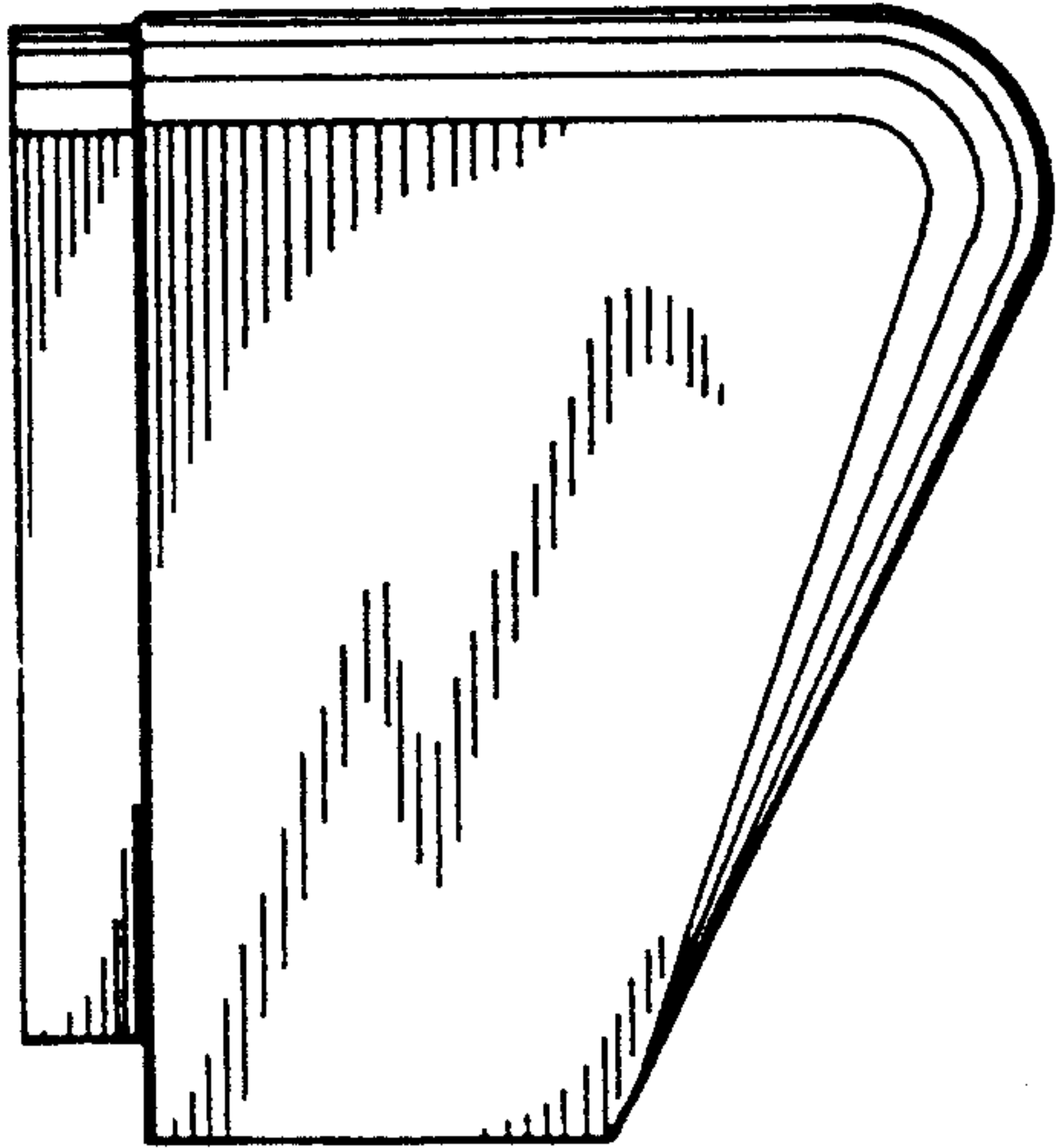


FIG. 11

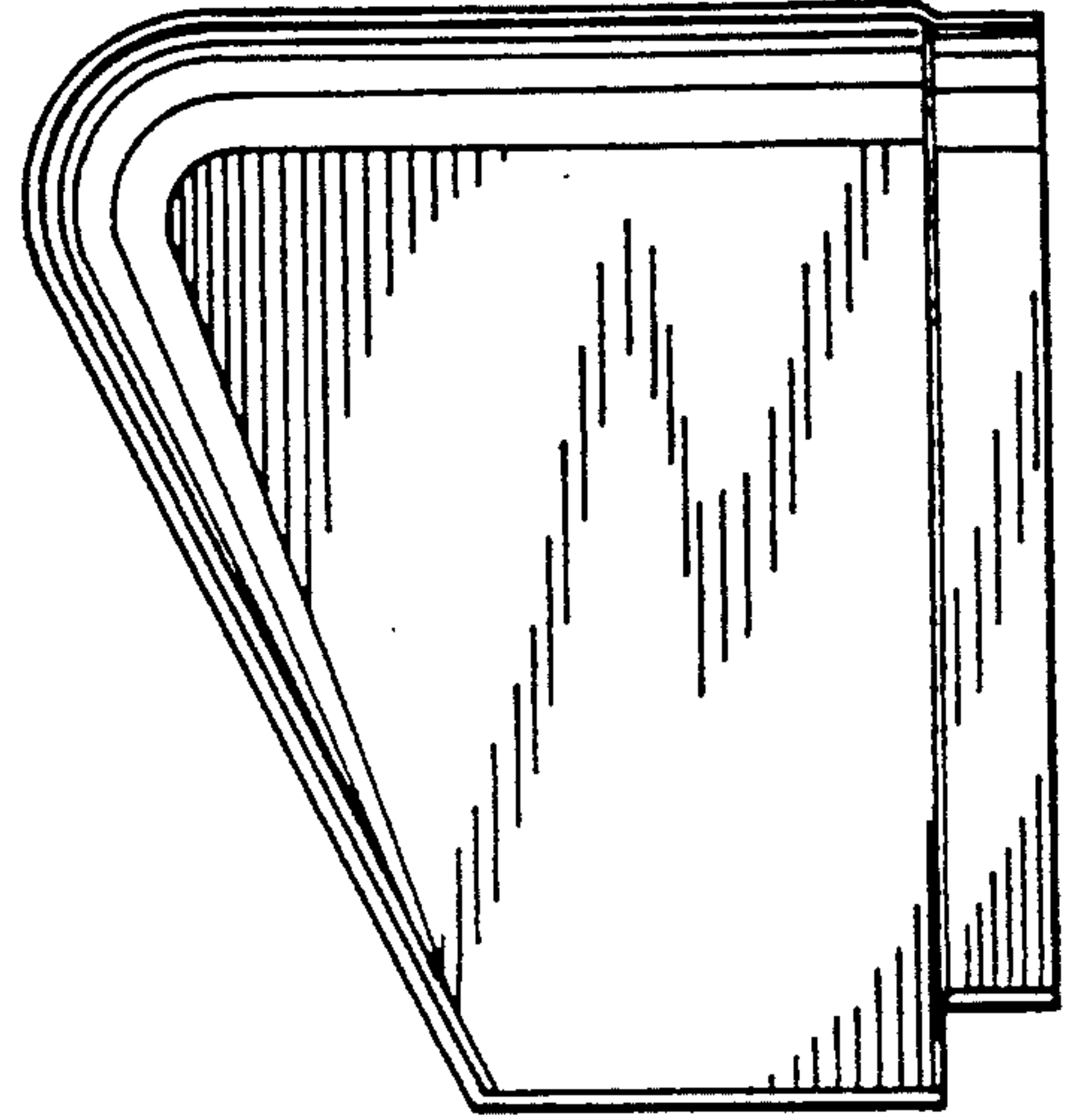


FIG. 12

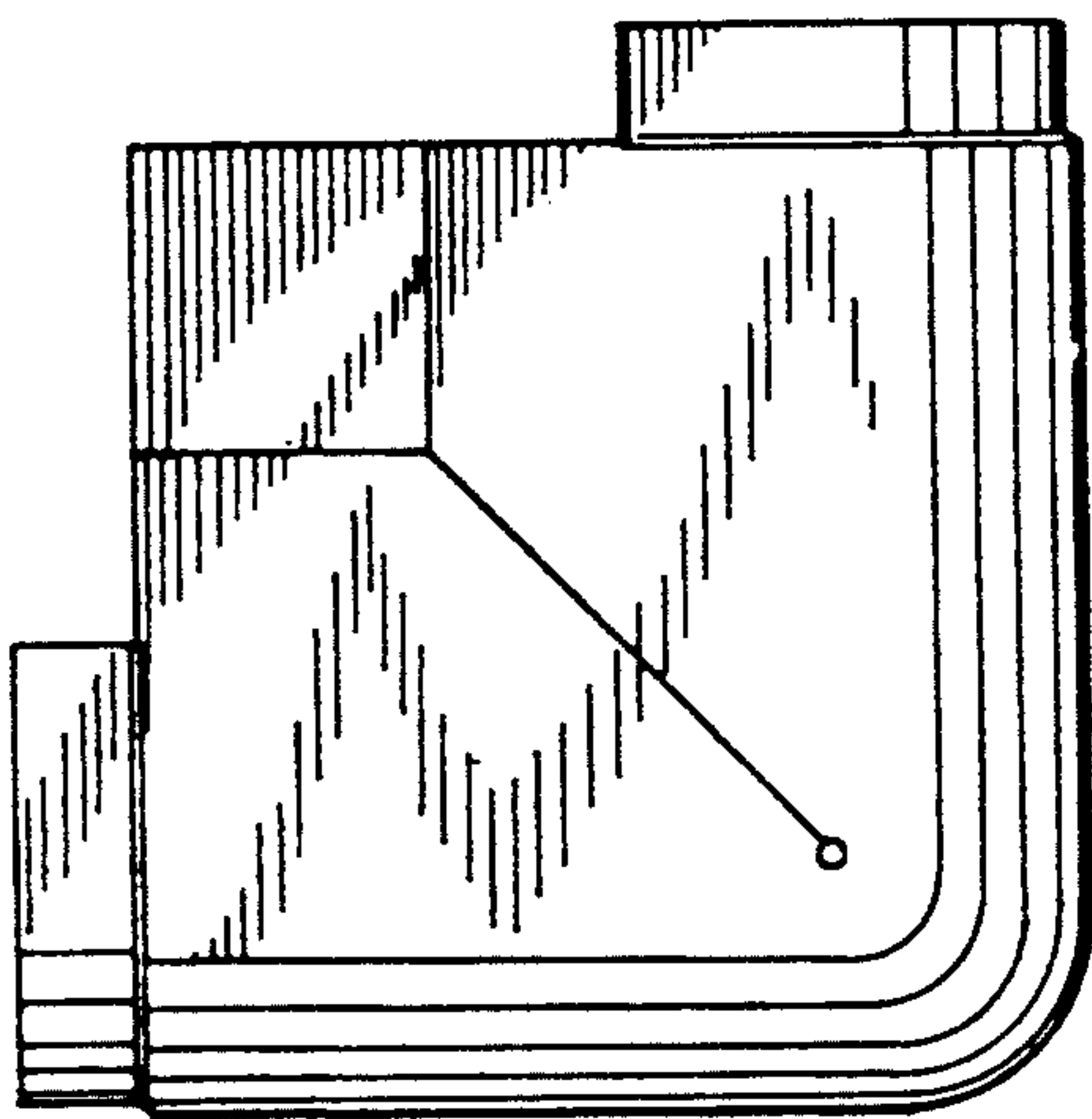


FIG. 13

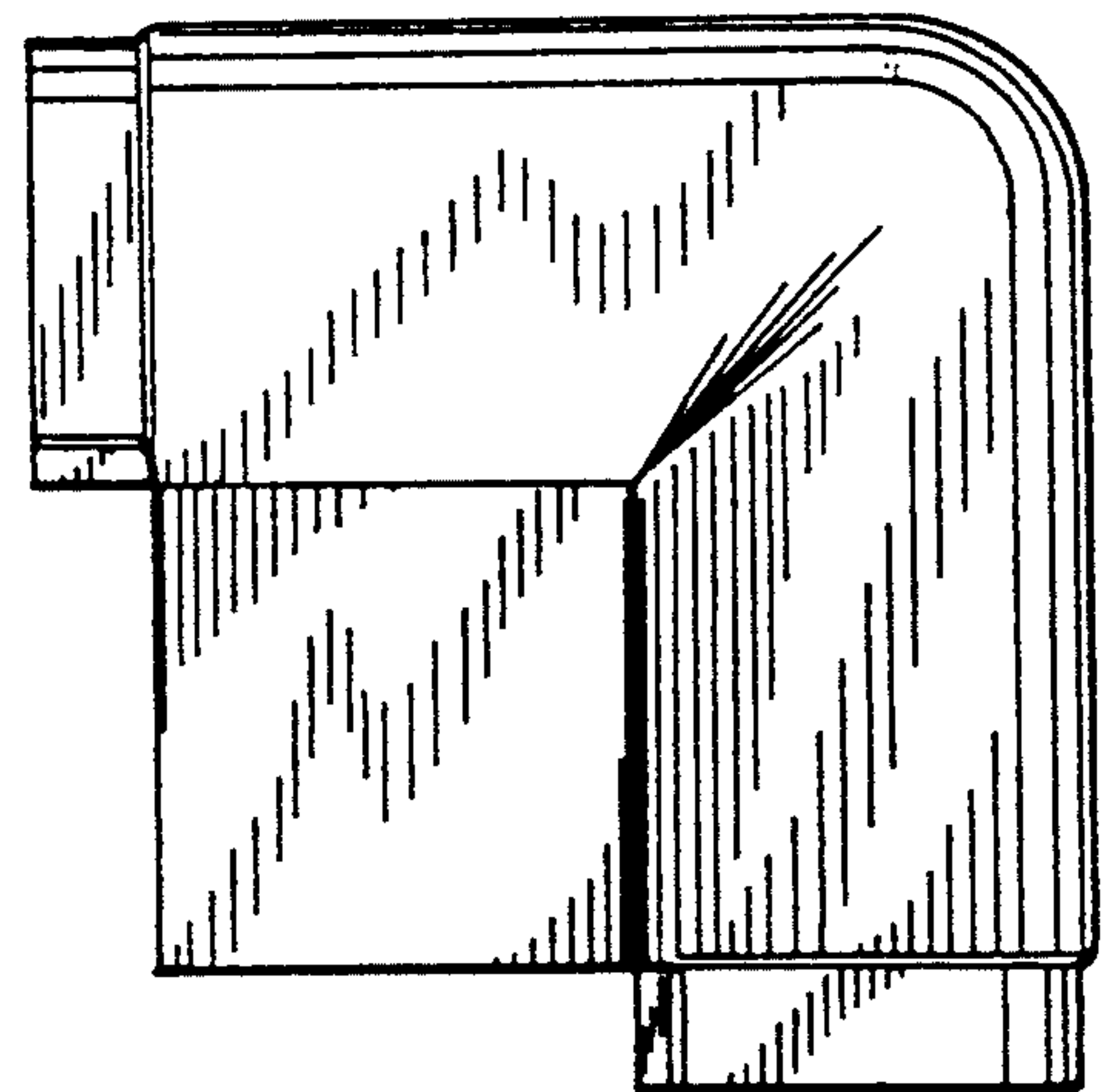


FIG. 14

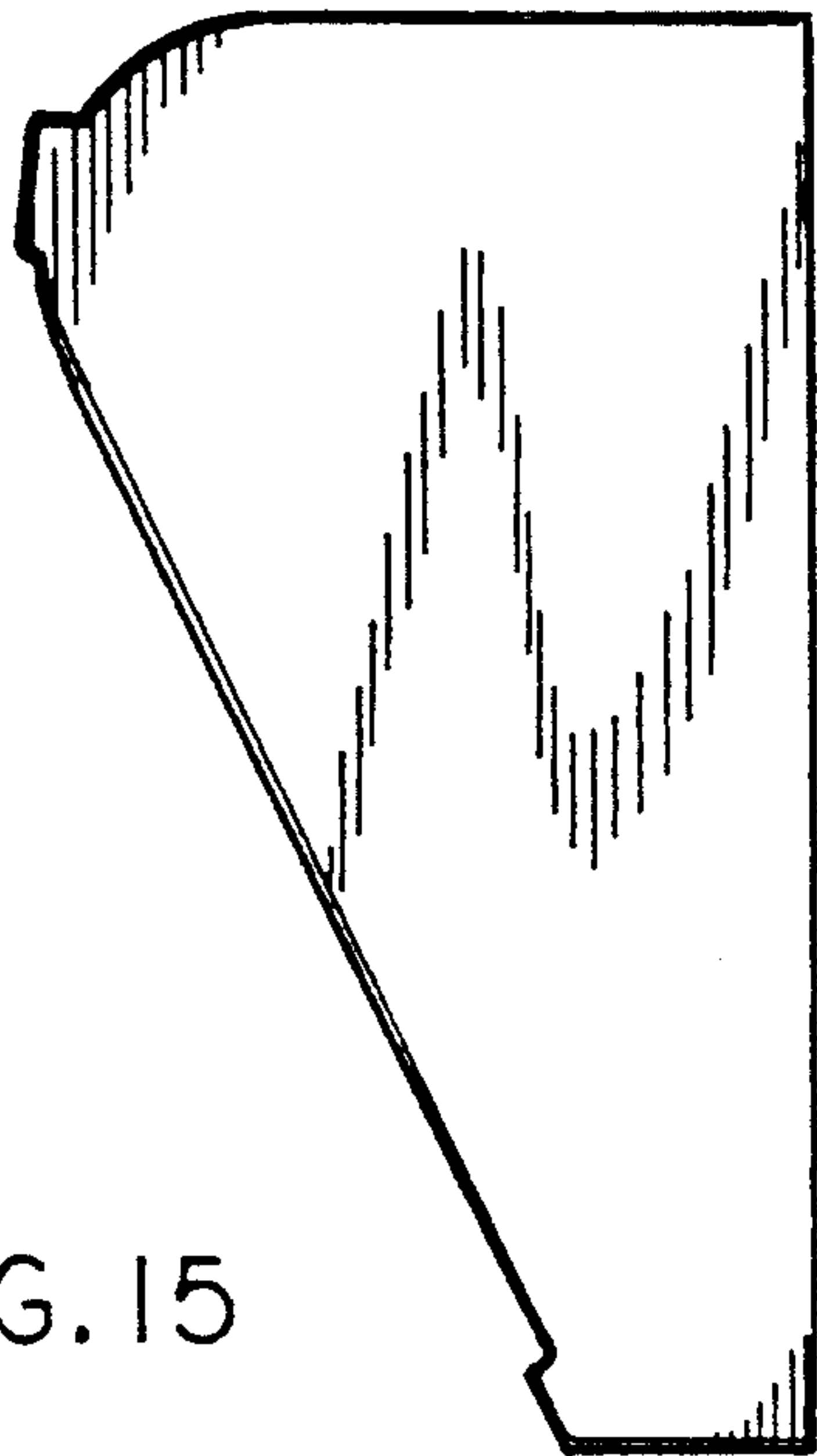


FIG. 15

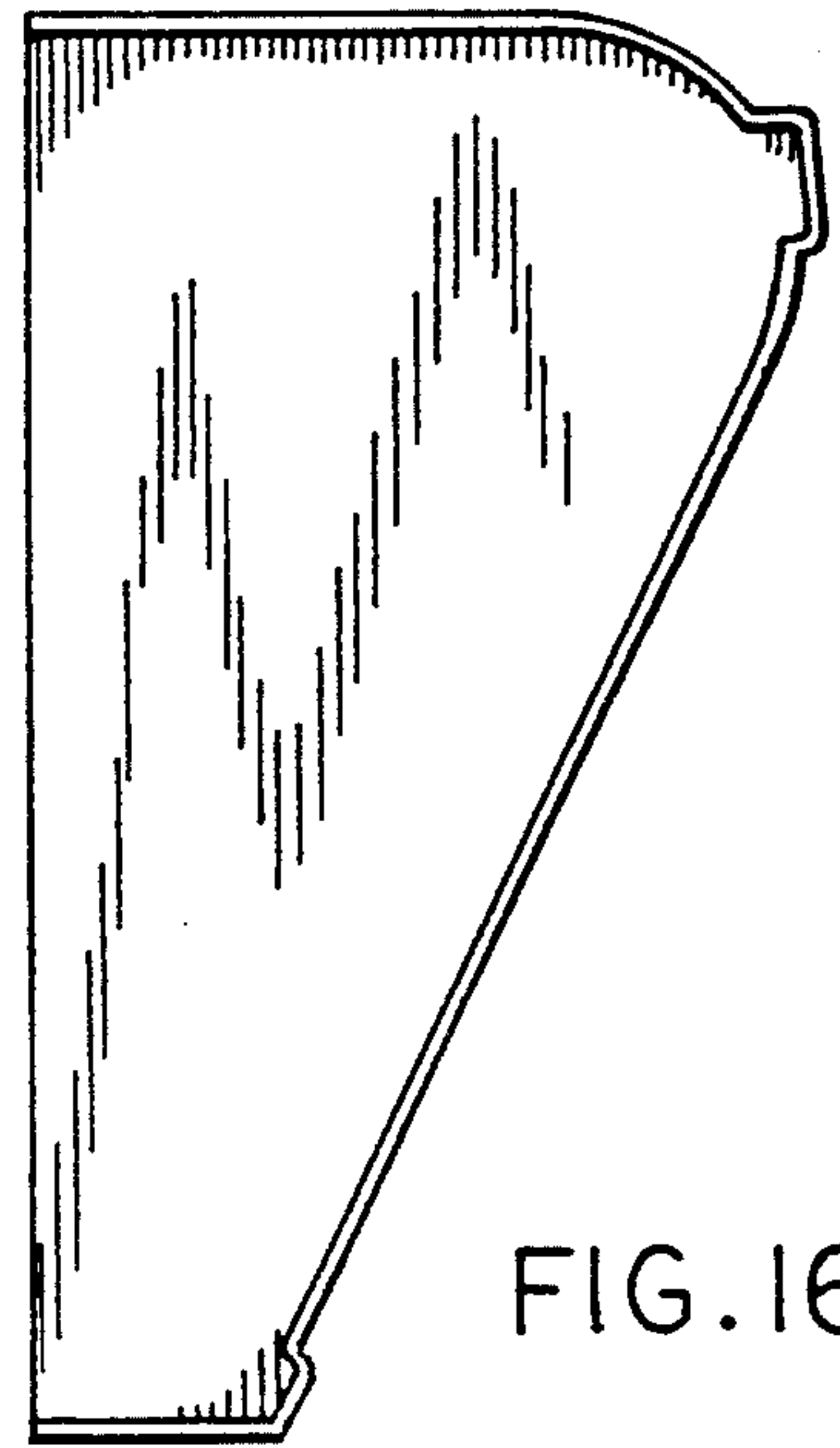


FIG. 16



FIG. 17



FIG. 18



FIG. 19



FIG. 20