



US00D346661S

United States Patent [19]

[11] Patent Number: **Des. 346,661**

Thomson

[45] Date of Patent: **** May 3, 1994**

[54] ADJUSTABLE DISPENSER FOR ANTIBIOTIC DISKS

[75] Inventor: **Graham A. Thomson, London, England**

[73] Assignee: **Unilever Patent Holdings B.V., Vlaardingen, Netherlands**

[**] Term: **14 Years**

[21] Appl. No.: **856,934**

[22] Filed: **Mar. 25, 1992**

[30] Foreign Application Priority Data

Sep. 25, 1991 [GB] United Kingdom 2017728
 [52] U.S. Cl. **D24/224; D24/216; D9/339**
 [58] Field of Search **D9/339; 221/234; 128/760; 422/58, 61, 99; 435/78, 32, 34, 73, 76; D24/216, 223-225**

[56] References Cited

U.S. PATENT DOCUMENTS

D. 249,333	9/1978	Stern	D9/339
D. 307,053	4/1990	Muller	D24/224
3,518,164	6/1970	Andelin et al.	128/760 X
4,014,322	3/1977	Shah	128/760
4,549,655	10/1985	Forsythe, Jr. et al.	422/58 X
4,859,603	8/1989	Dole et al.	D24/223 X
5,149,505	9/1992	English et al.	422/99
5,186,900	2/1993	Jensen et al.	422/61 X

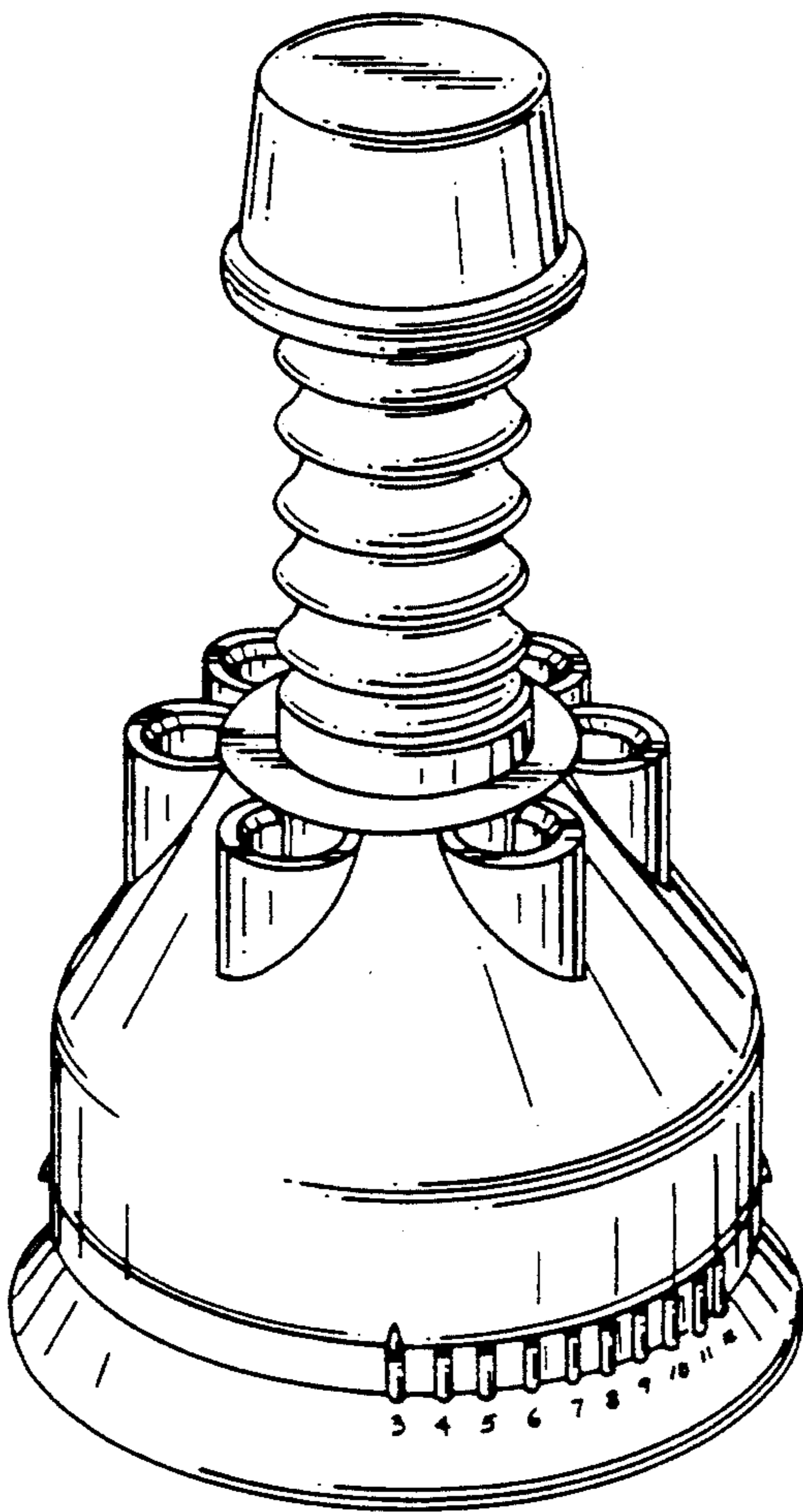
Primary Examiner—Bernard Ansher
Assistant Examiner—M. Siegel
Attorney, Agent, or Firm—Cushman, Darby & Cushman

[57] CLAIM

The ornamental design for a adjustable dispenser for antibiotic disks, as shown and described.

DESCRIPTION

FIG. 1 is a front elevational view of an adjustable dispenser for antibiotic disks showing my new design; FIG. 2 is a top plan view thereof; FIG. 3 is a bottom plan view thereof; FIG. 4 is a right side elevational view thereof; and, FIG. 5 is a perspective view thereof.



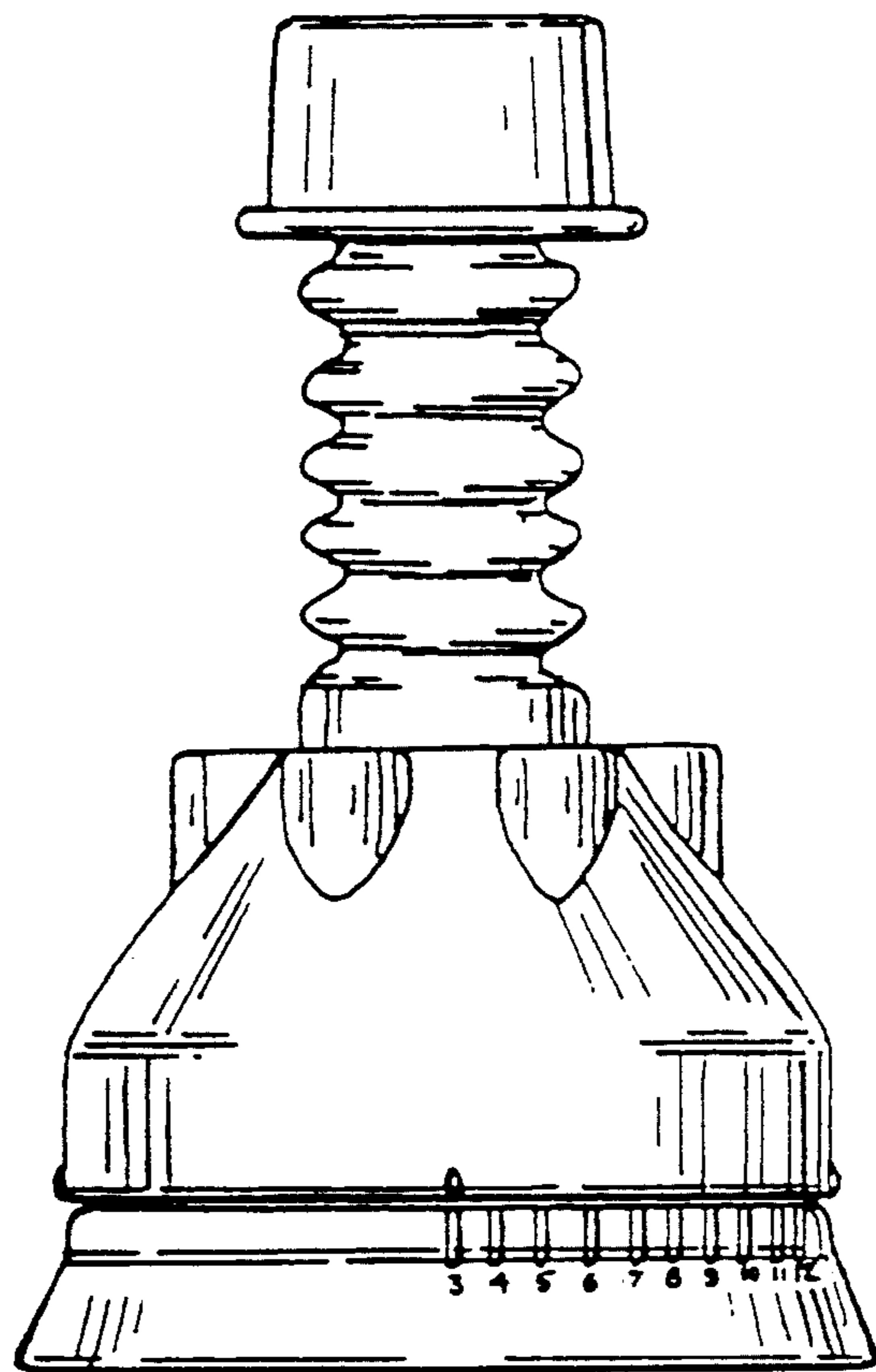


FIG. 1

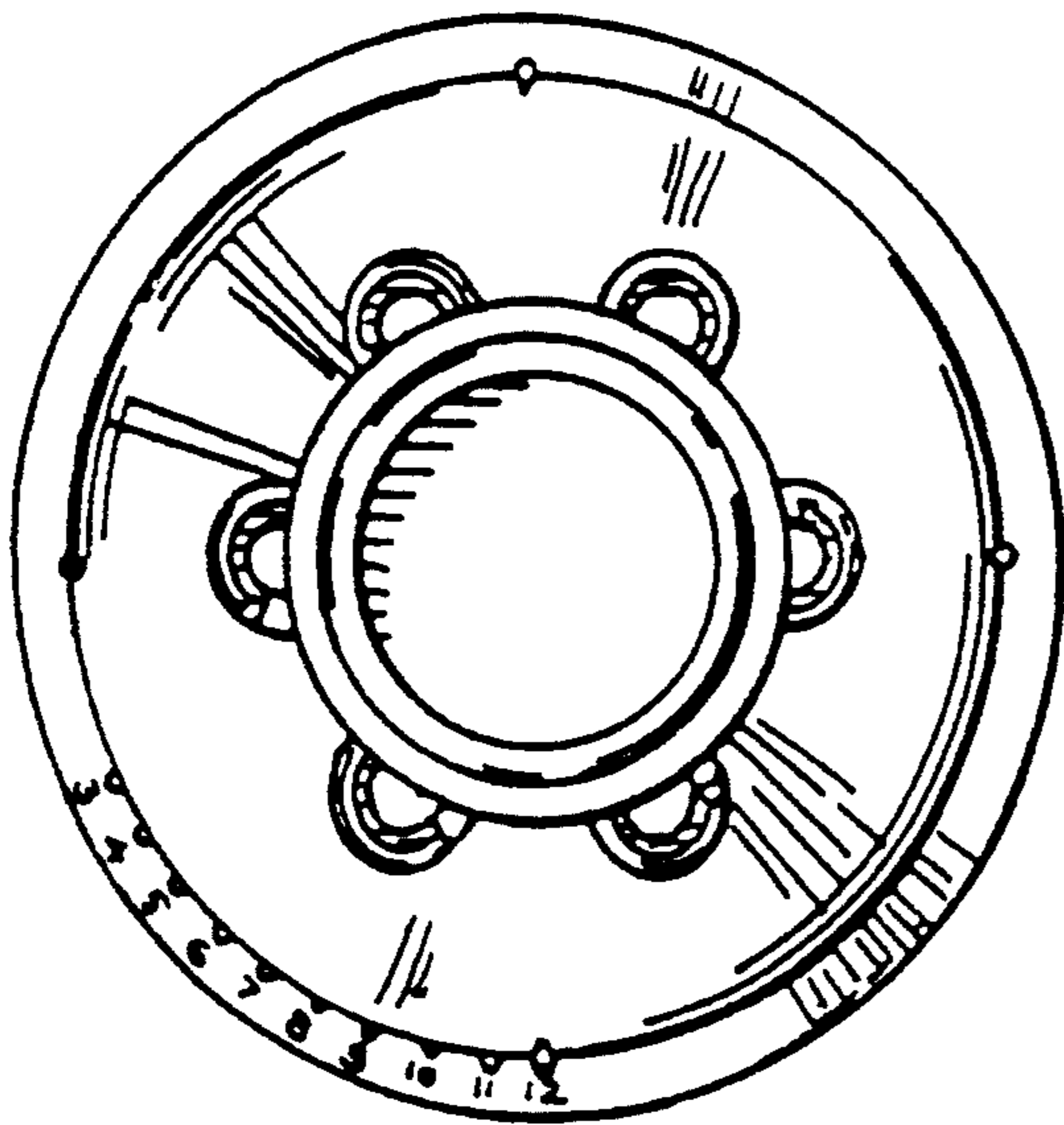


FIG. 2

FIG. 3

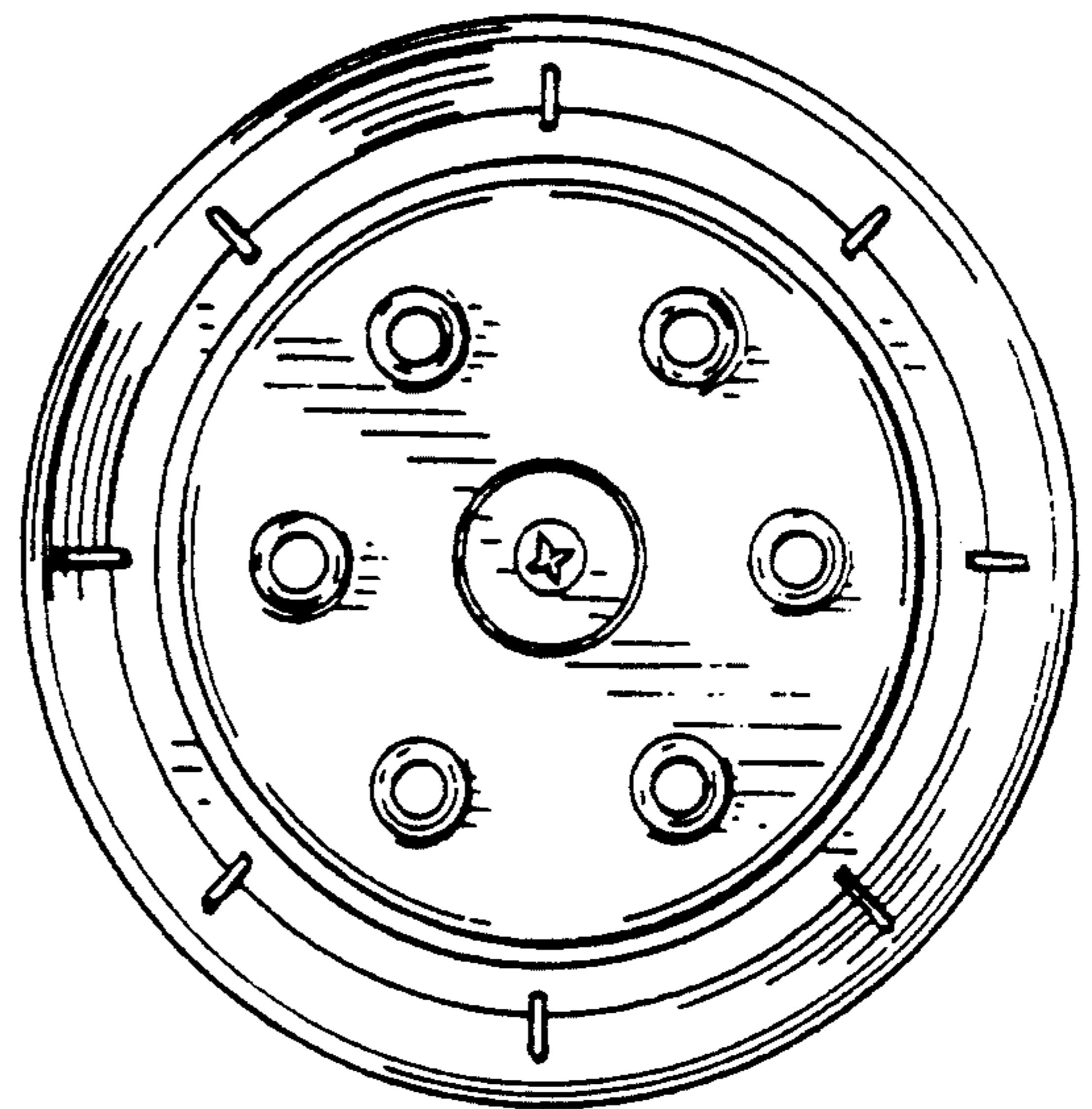
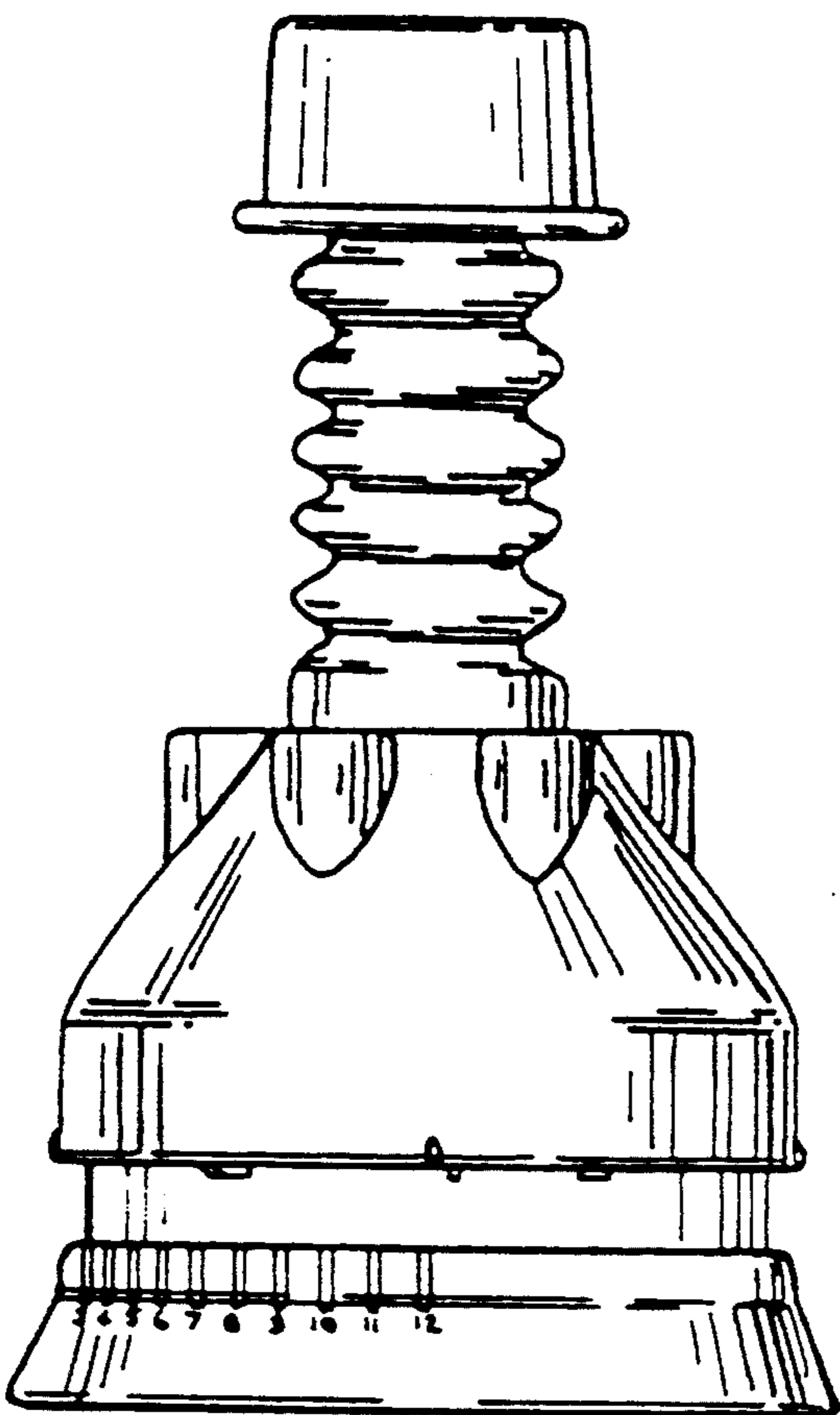


FIG. 4



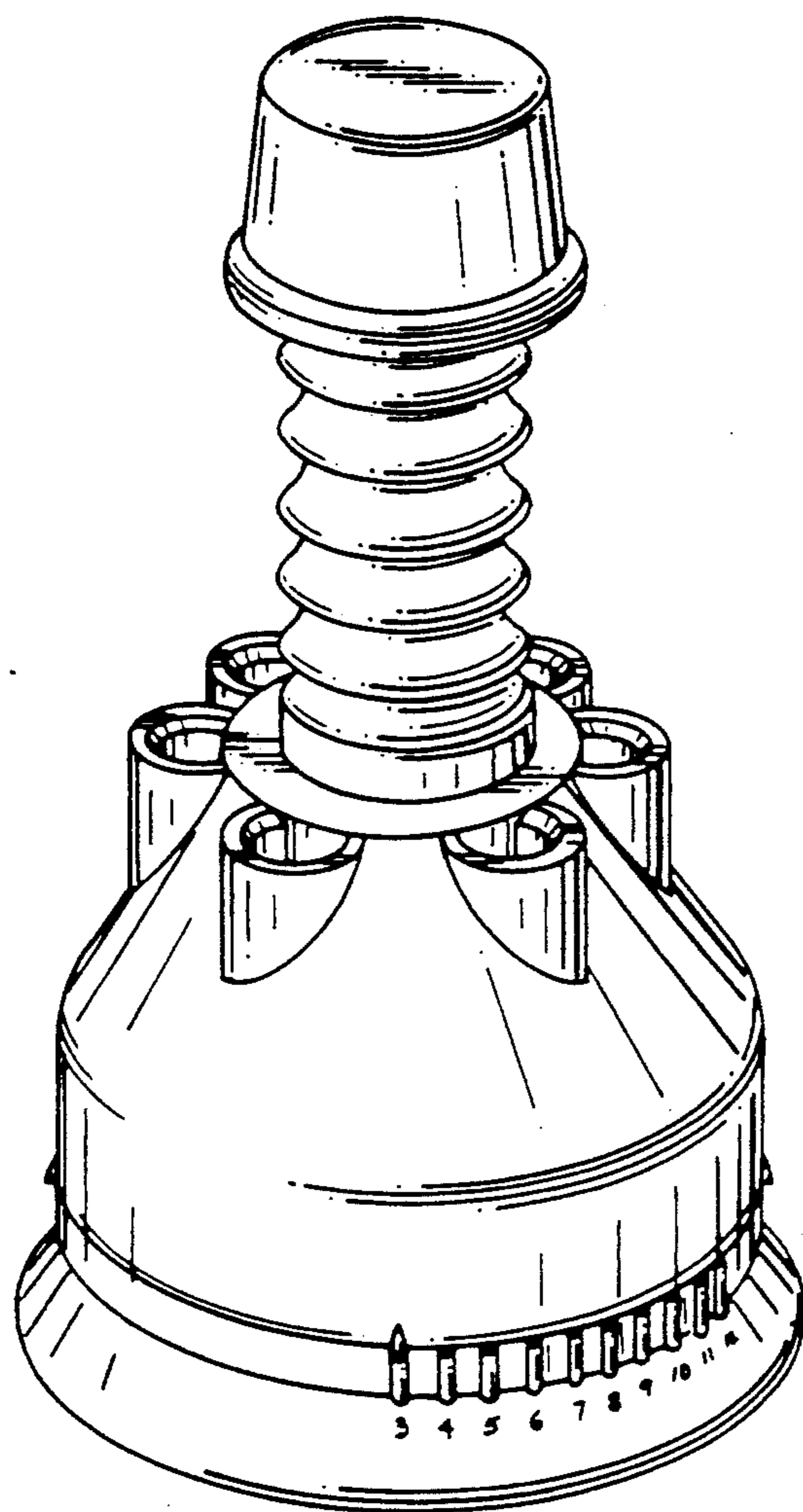


FIG. 5