



US00D346660S

United States Patent [19]

Chiang

[11] Patent Number: Des. 346,660

[45] Date of Patent: ** May 3, 1994

[54] HAND-HELD ELECTRIC MASSAGER

[75] Inventor: Chi-Wing Chiang, Kowloon, Hong Kong

[73] Assignee: Futec Products Limited, Kowloon, Hong Kong

[**] Term: 14 Years

[21] Appl. No.: 6,066

[22] Filed: Mar. 23, 1993

[30] Foreign Application Priority Data

Jul. 6, 1992 [GB] United Kingdom 2024034

[52] U.S. Cl. D24/215

[58] Field of Search 128/24 R, 24.1, 24.3, 128/24.4, 24.5, 32, 44-46, 48, 49, 57, 60, 62 R; D24/200, 211, 214, 215

[56] References Cited

U.S. PATENT DOCUMENTS

D. 262,908	2/1982	Pesco	D24/211
D. 273,708	5/1984	Haug	D24/211
D. 299,863	2/1989	Noble et al.	D24/211
D. 331,466	12/1992	Doria	D24/200

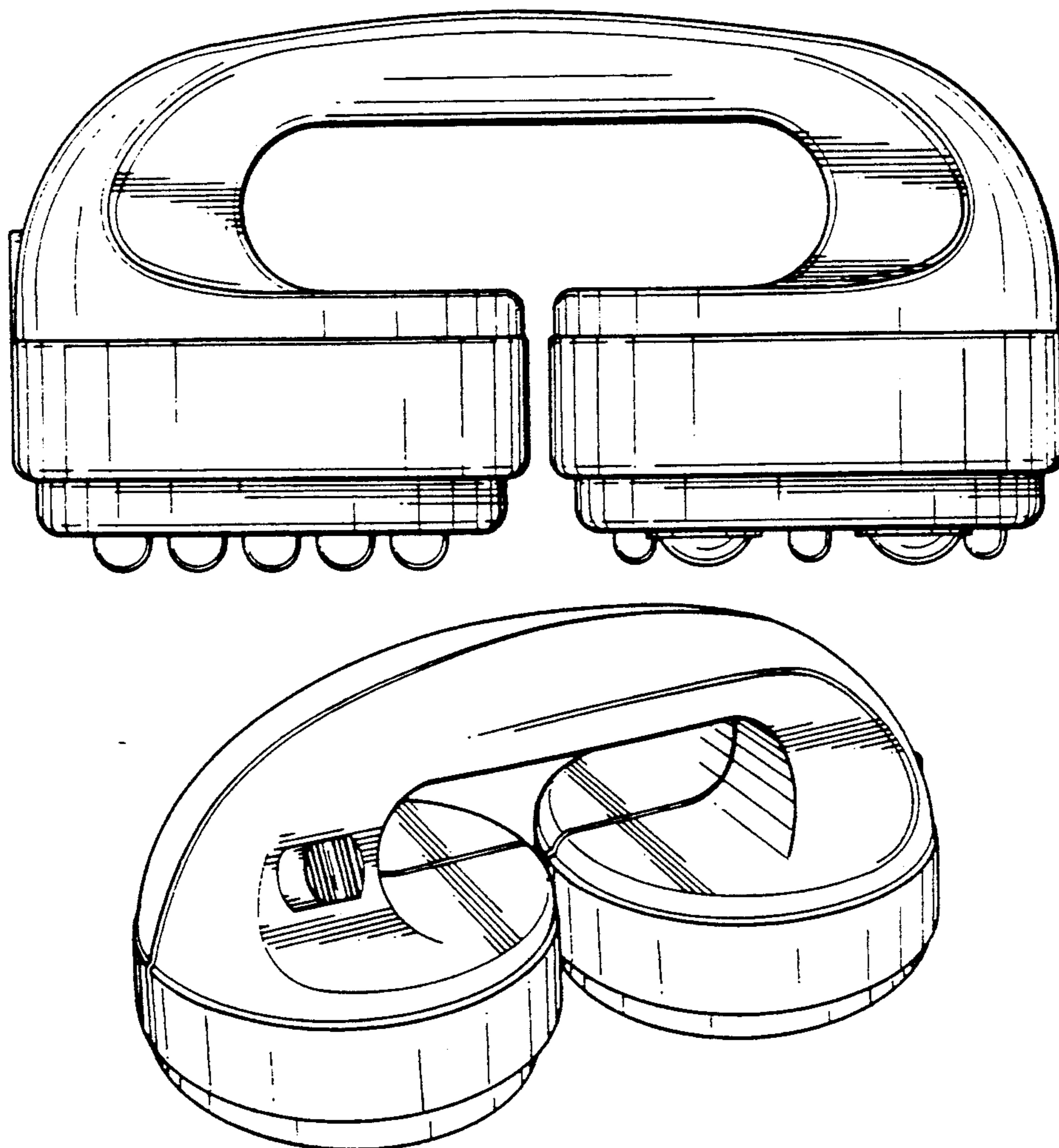
Primary Examiner—Stella Reid
Attorney, Agent, or Firm—Samuels, Gauthier & Stevens

[57] CLAIM

The ornamental design for a hand-held electric massager, as shown and described.

DESCRIPTION

FIG. 1 is the front elevational view of a hand-held electric massager showing my new design; FIG. 2 is the rear elevational view thereof; FIG. 3 is the left side view thereof; FIG. 4 is the right side view thereof; FIG. 5 is the top plan view thereof; FIG. 6 is the bottom view thereof; and, FIG. 7 is the front perspective view thereof.



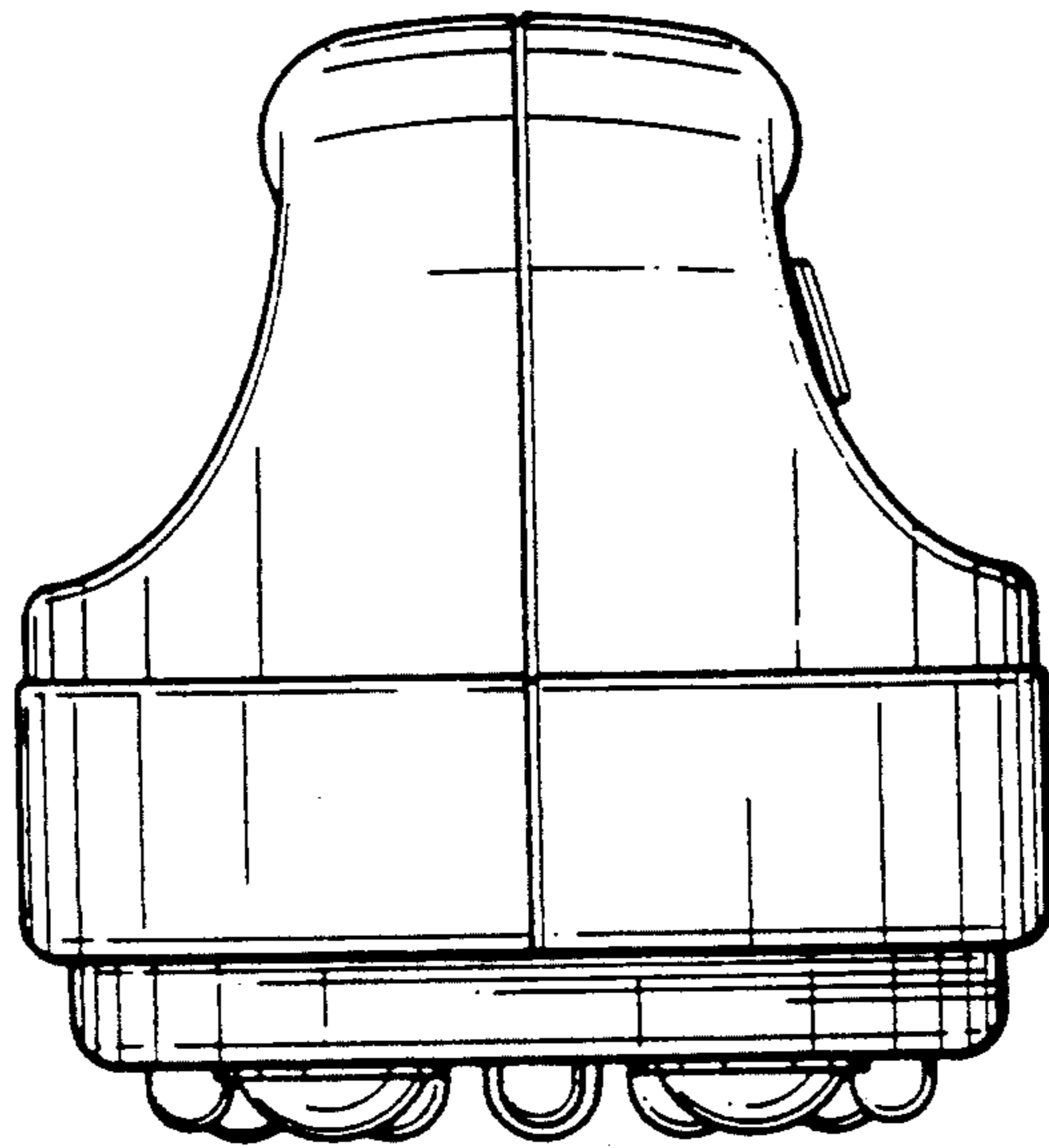


FIG. 1

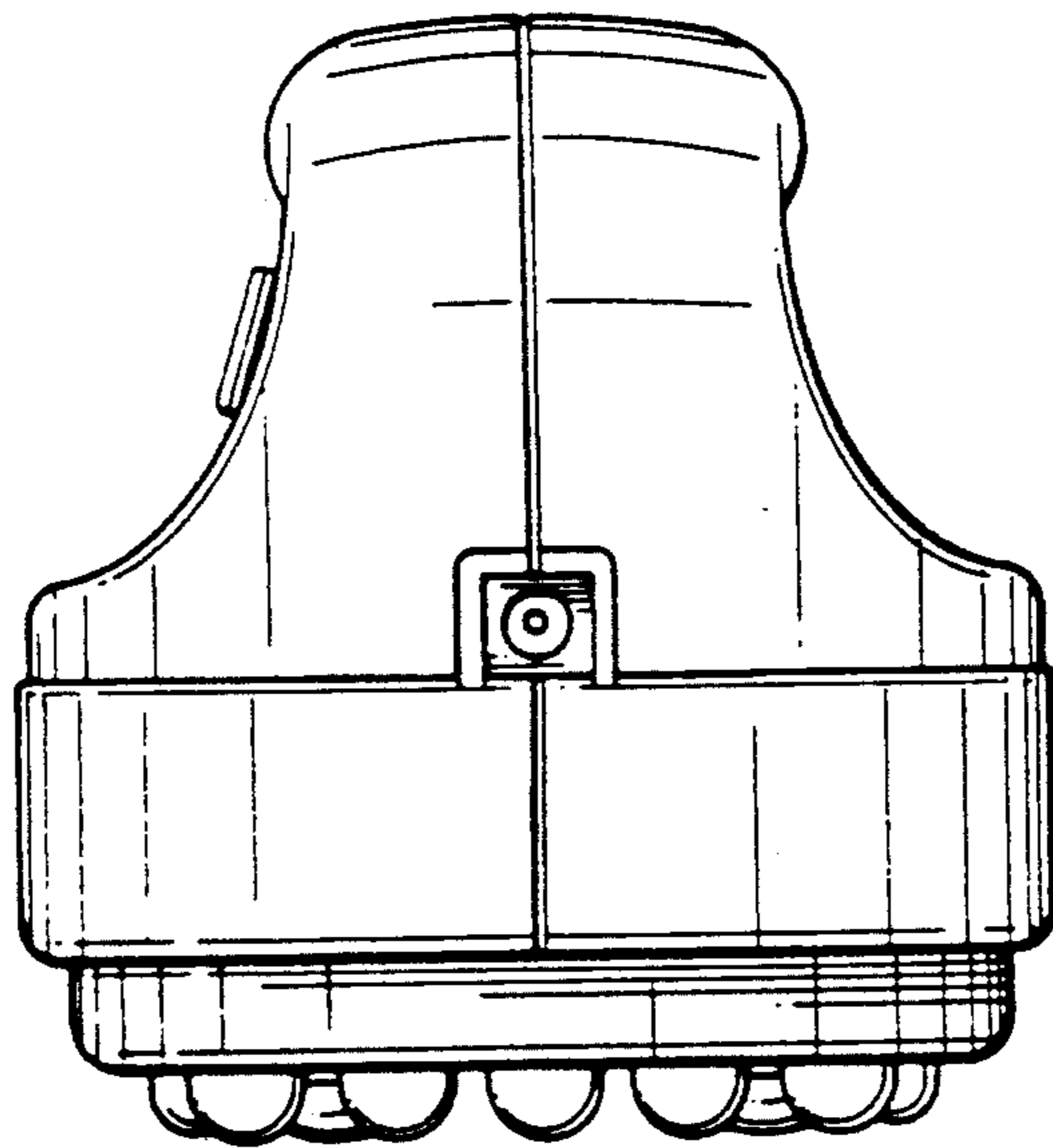


FIG. 2

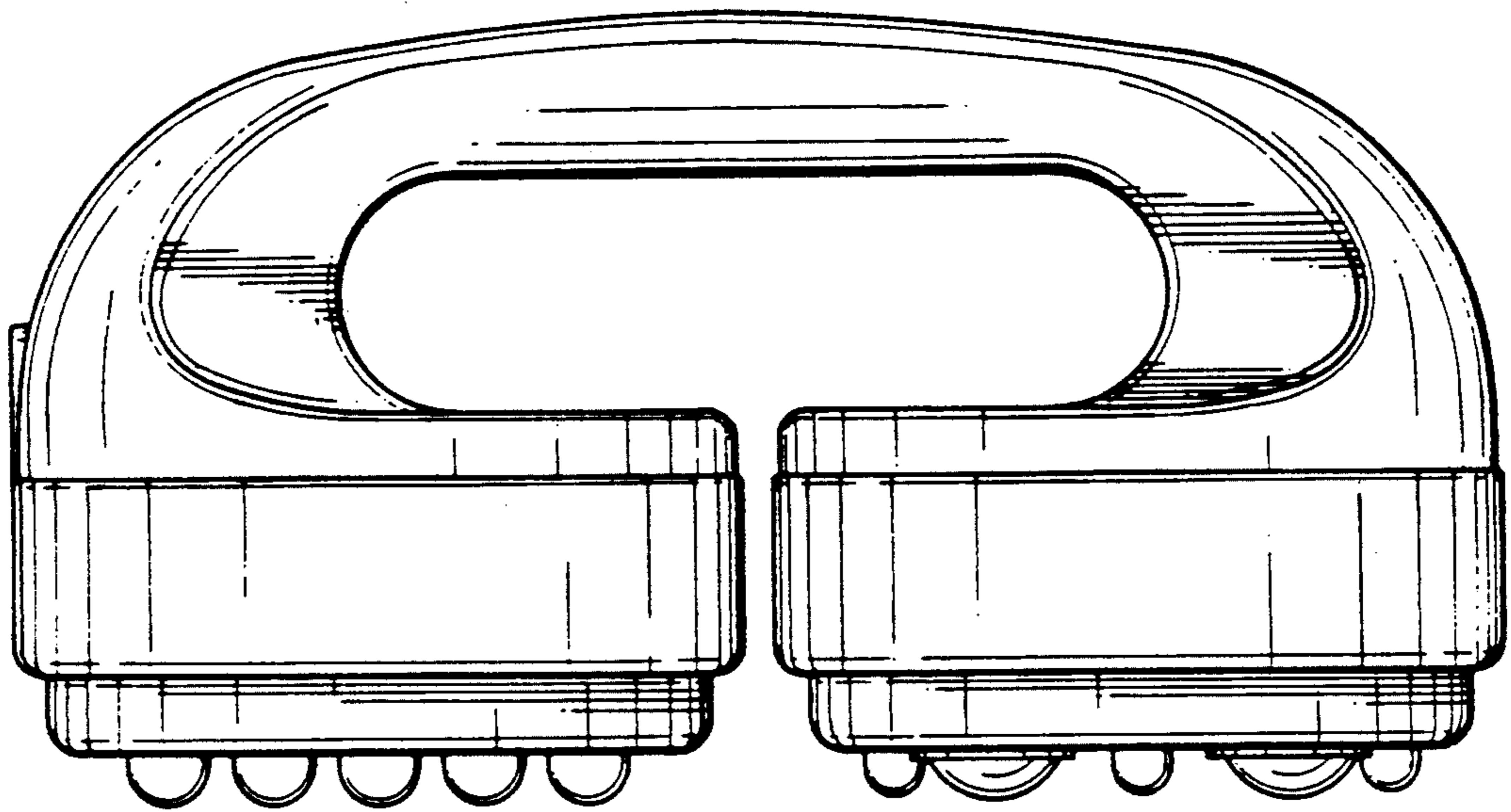


FIG. 3

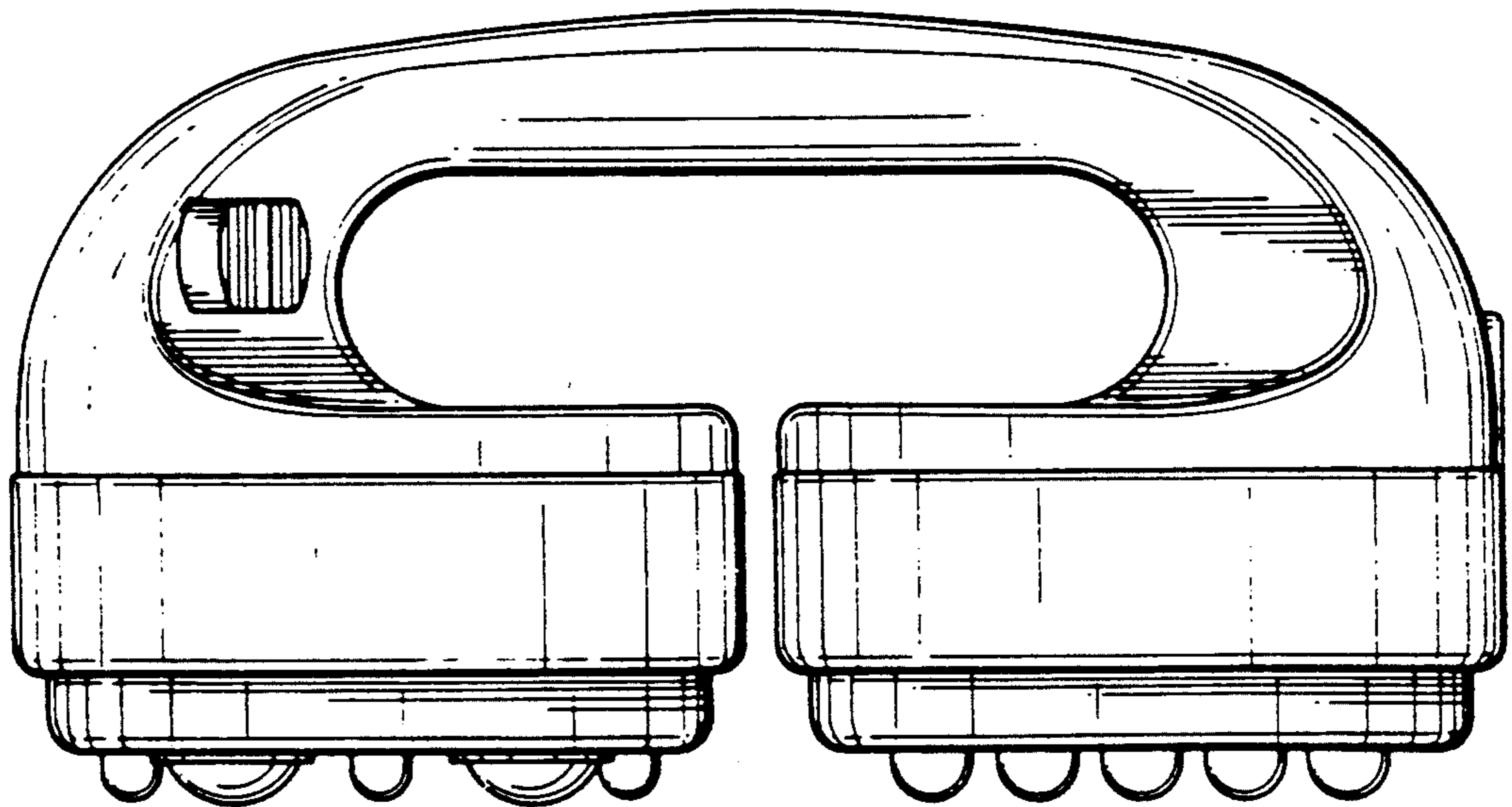


FIG. 4

FIG. 5

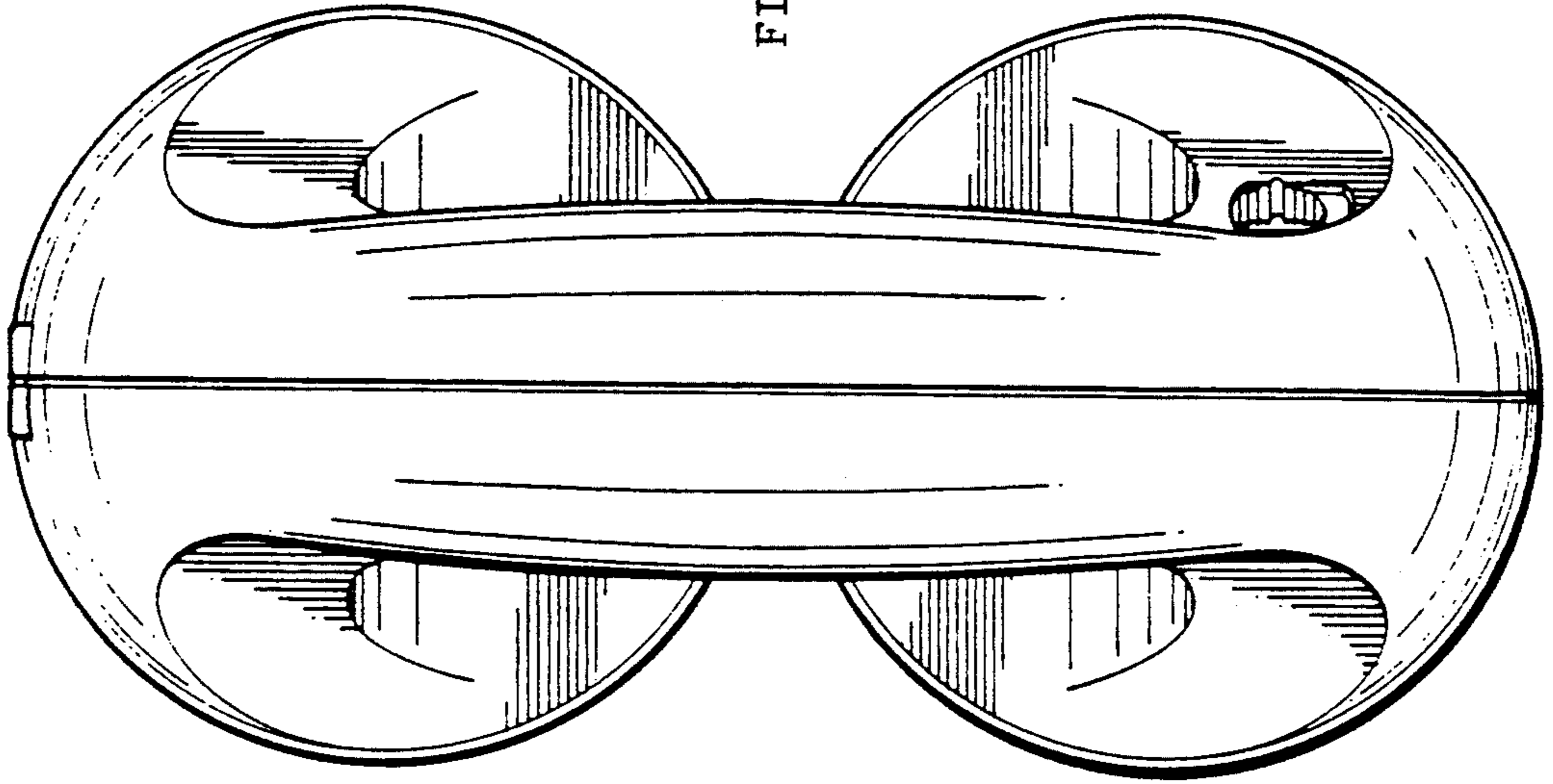
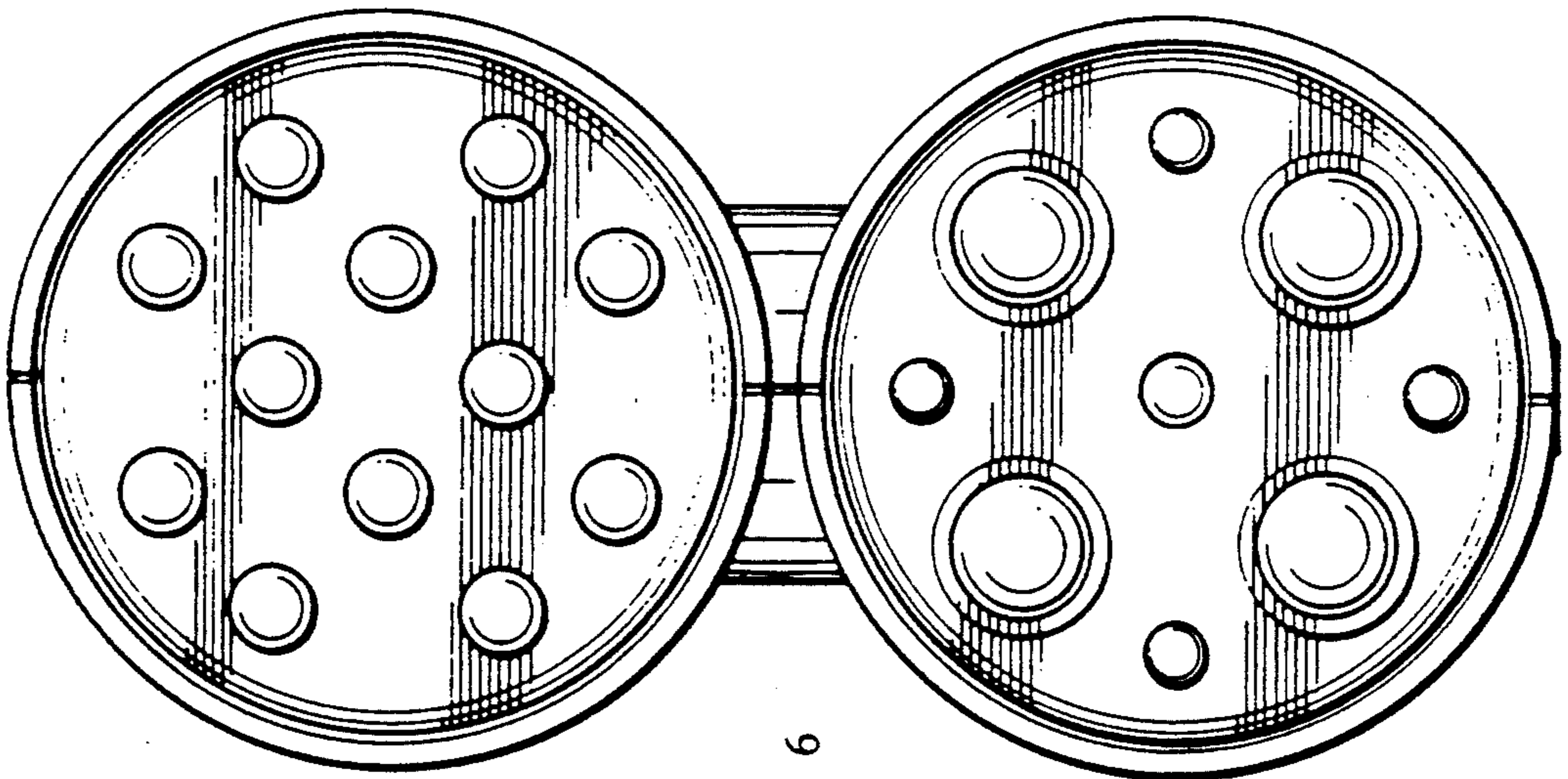


FIG. 6



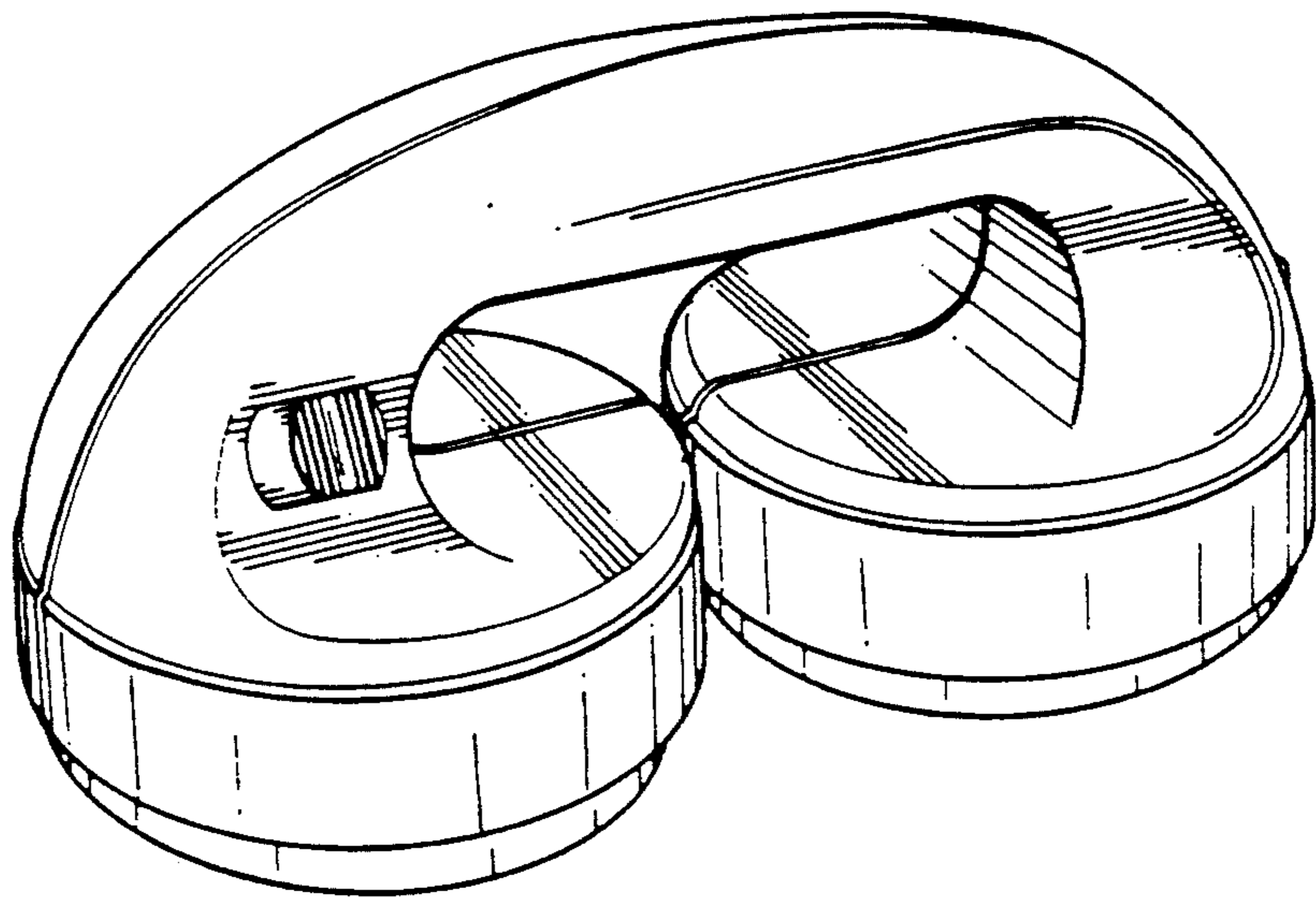


FIG. 7