



US00D346659S

United States Patent [19]

Adams

[11] Patent Number: Des. 346,659

[45] Date of Patent: ** May 3, 1994

[54] **HOLDER FOR A BABY BOTTLE**

[76] Inventor: **Kenneth Adams**, 33565 University Dr., Union City, Calif. 94587

[**] Term: **14 Years**

[21] Appl. No.: **3,282**

[22] Filed: **Jan. 5, 1993**

[52] U.S. Cl. **D24/199**

[58] Field of Search 248/102, 103, 104, 105, 248/106, 107; D24/199

3,696,233 10/1972 Pulsifer .
4,296,902 10/1981 Dachtler .
4,513,935 4/1985 Aguirre .

Primary Examiner—Stella Reid
Attorney, Agent, or Firm—Terry M. Gernstein

[57] **CLAIM**

The ornamental design for a holder for a baby bottle, as shown and described.

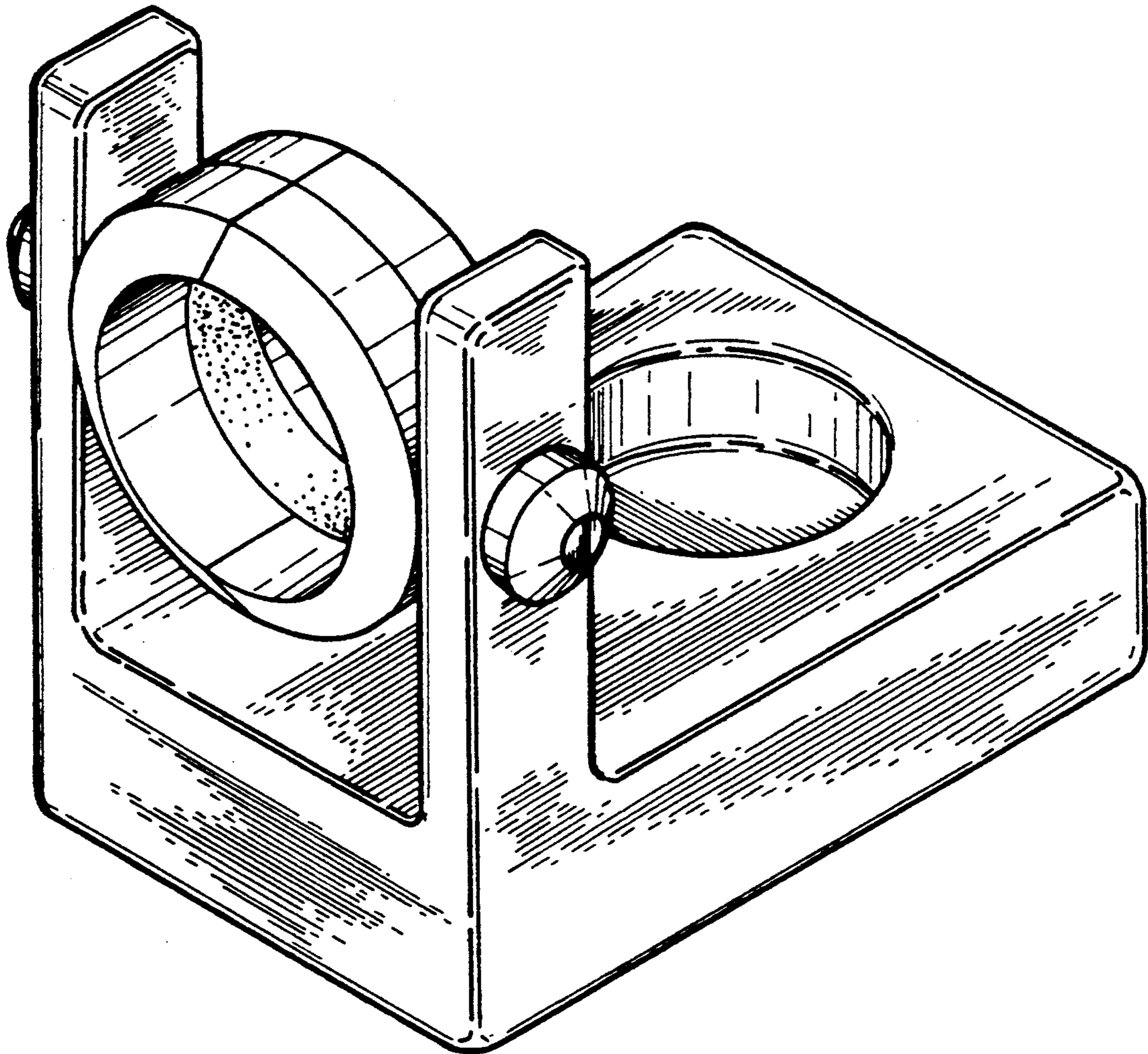
DESCRIPTION

FIG. 1 is a front, top and side perspective view of the holder for a baby bottle showing my new design; FIG. 2 is a side elevational view thereof, the side opposite being a mirror image of the side shown in FIG. 2; FIG. 3 is a front elevational view thereof; FIG. 4 is a rear elevational view thereof; FIG. 5 is a top plan view thereof; and, FIG. 6 is a bottom plan view thereof.

[56] **References Cited**

U.S. PATENT DOCUMENTS

D. 139,296	10/1944	Singer	D24/199
D. 141,913	7/1945	Beckemeyer	D24/199
D. 180,185	4/1957	Griener	D24/199
2,733,883	2/1956	Gourley	D24/199 X



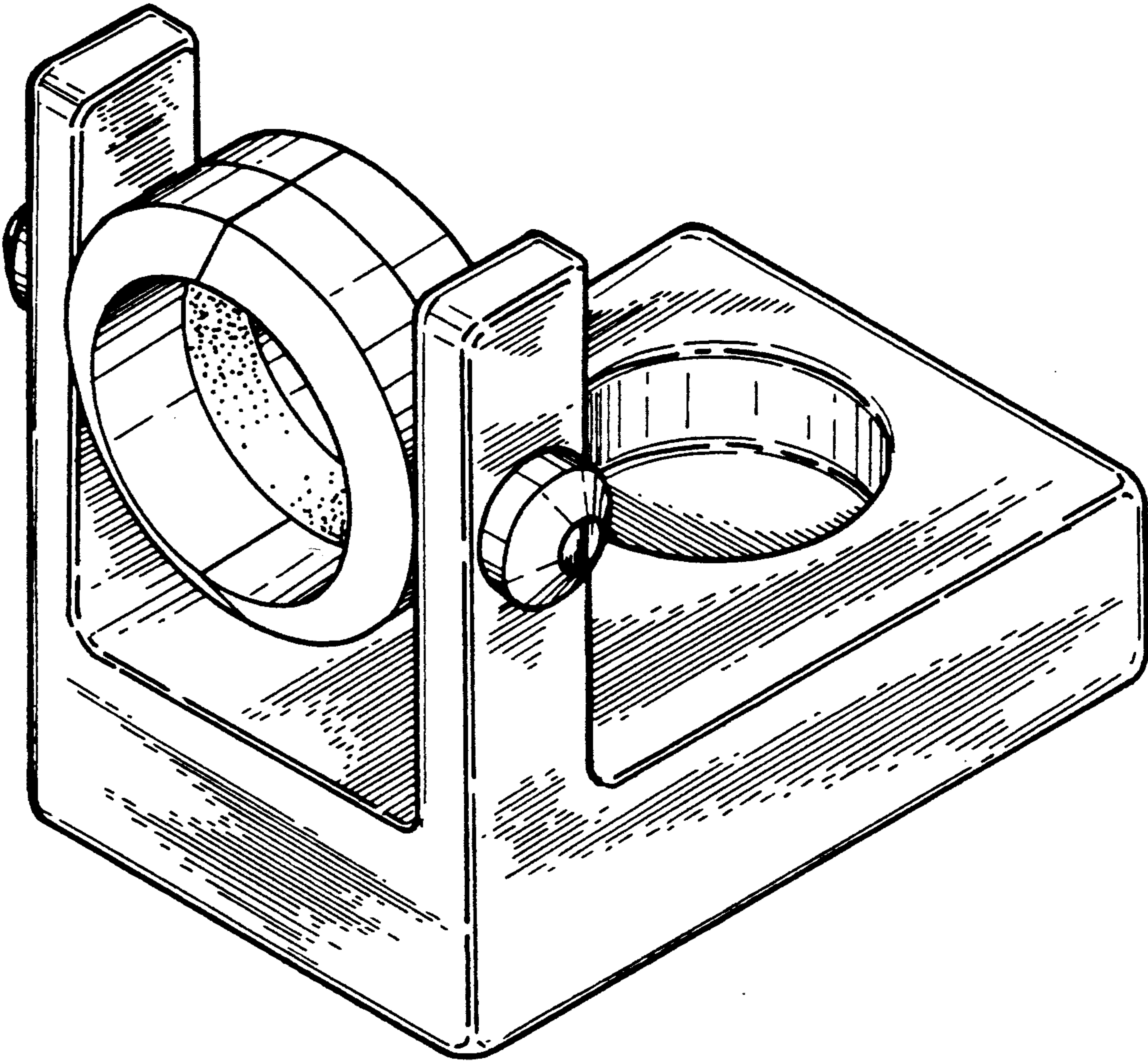


FIG. 1

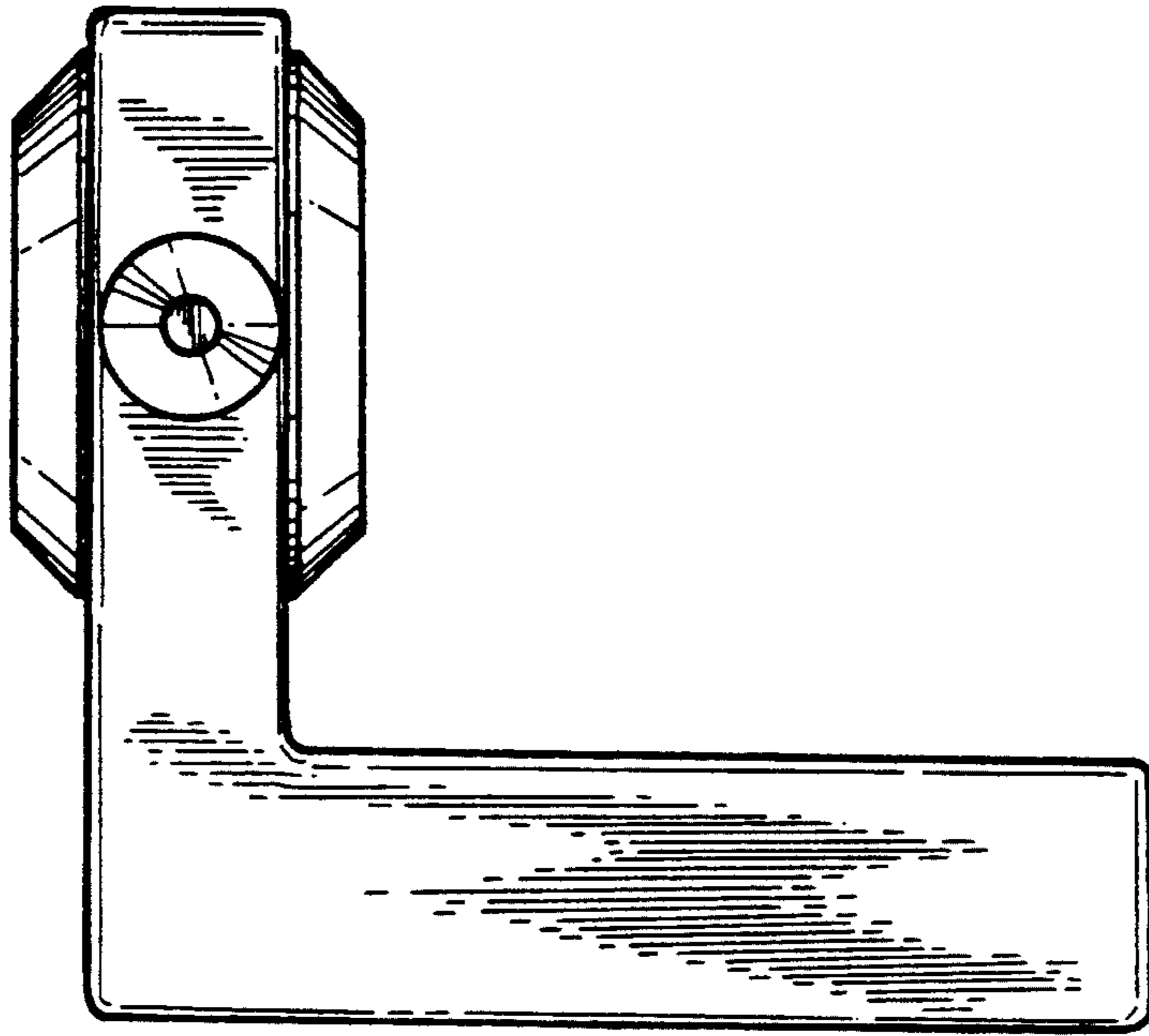


FIG. 2

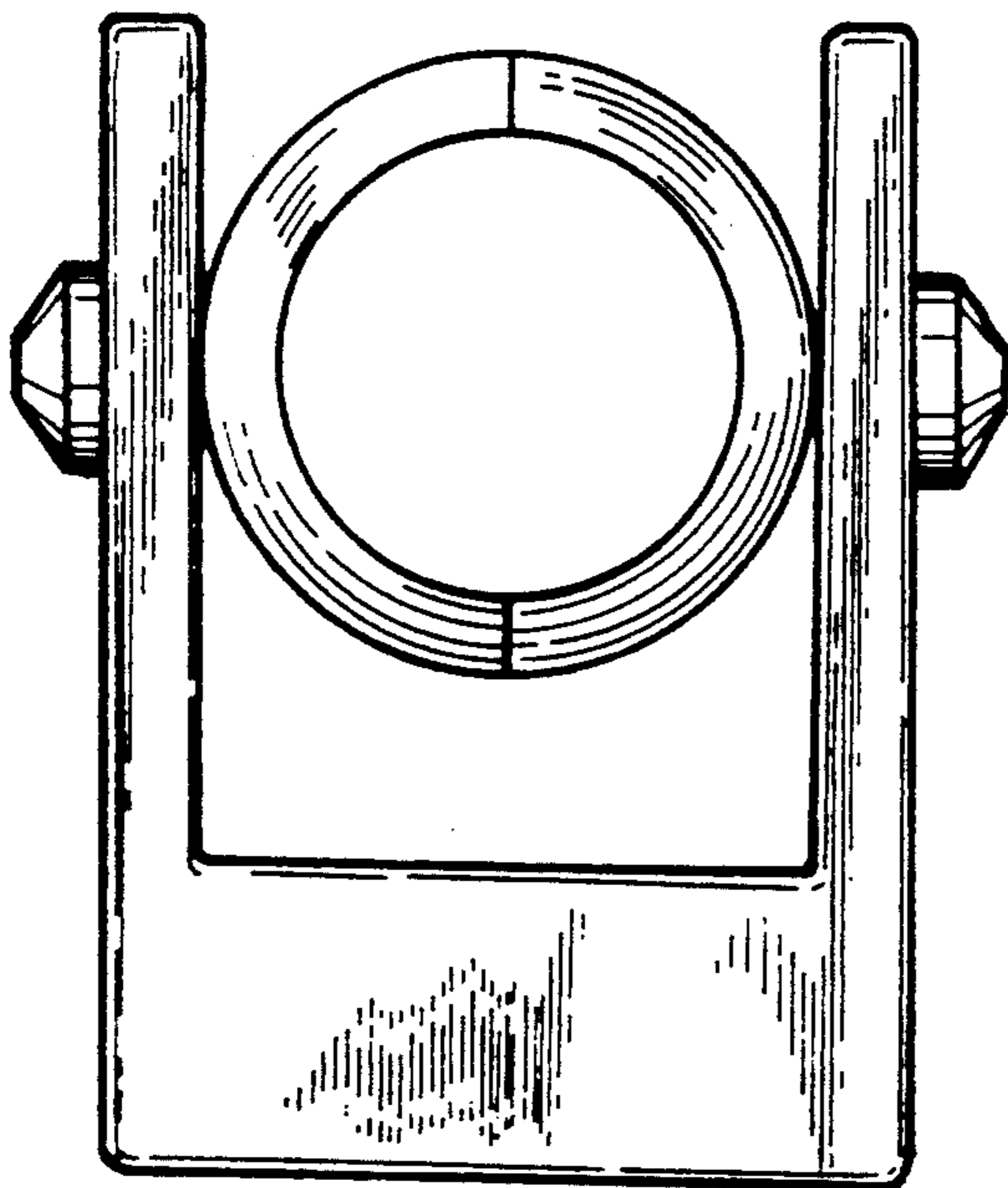


FIG. 3

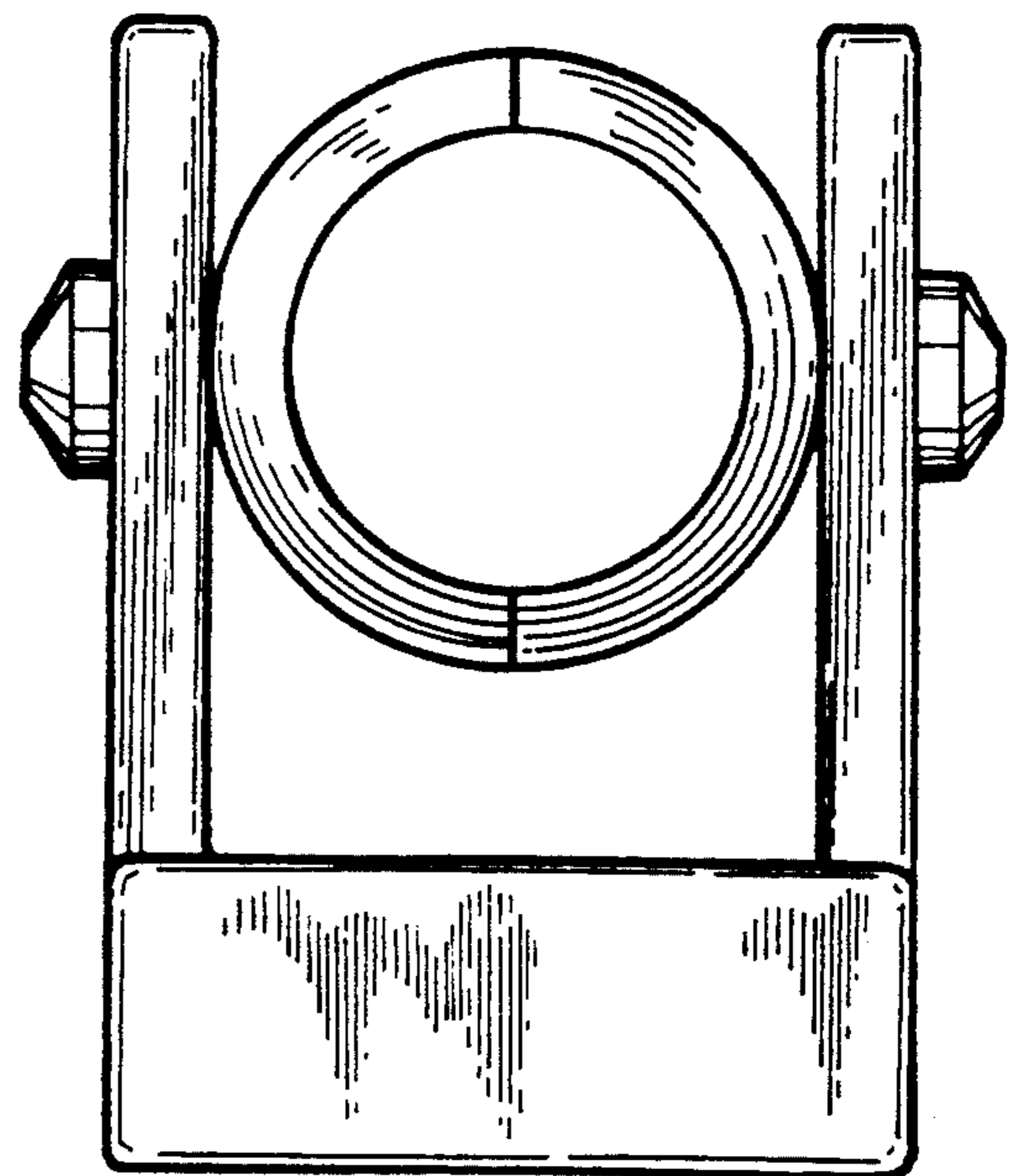


FIG. 4

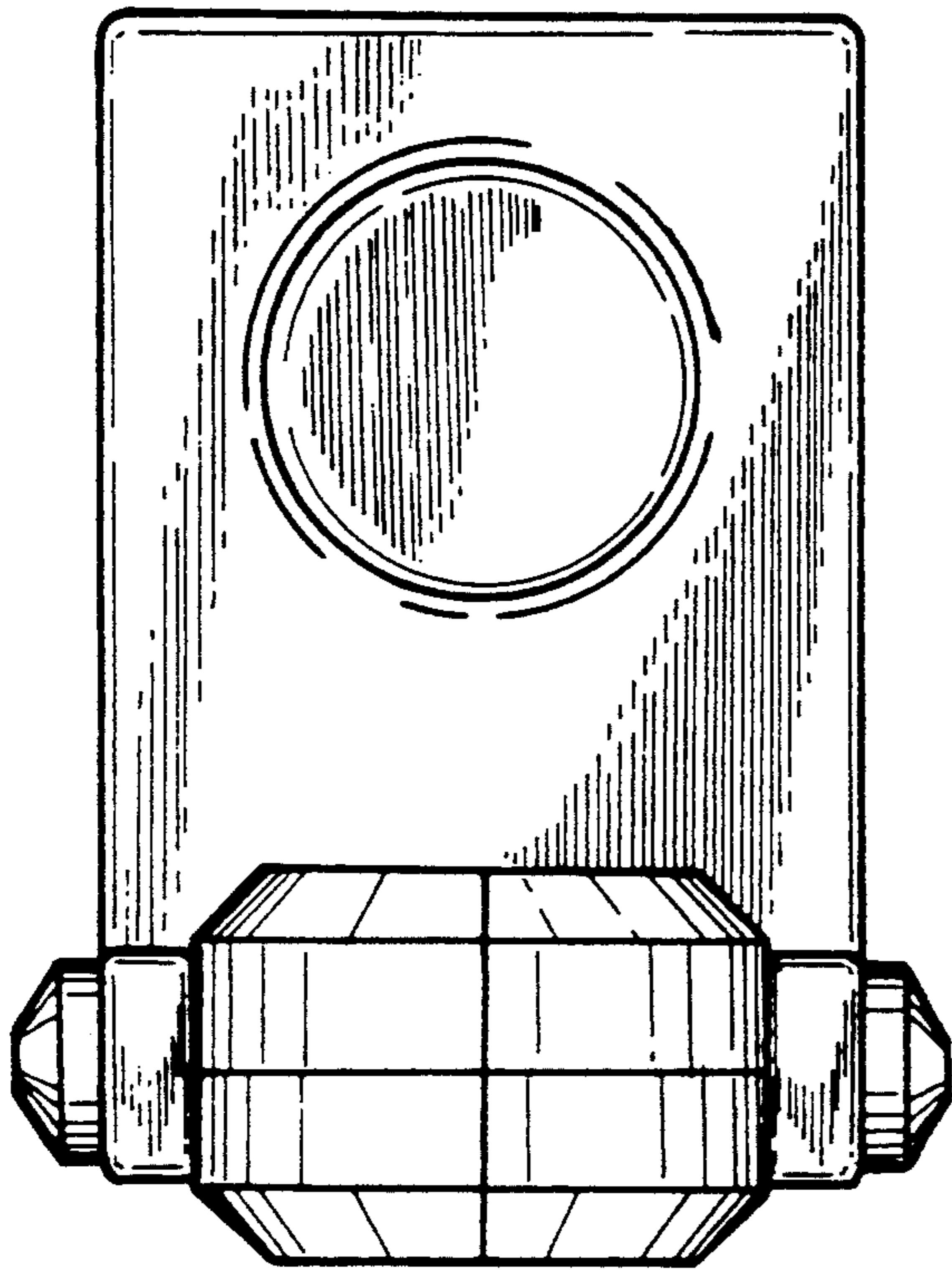


FIG. 5

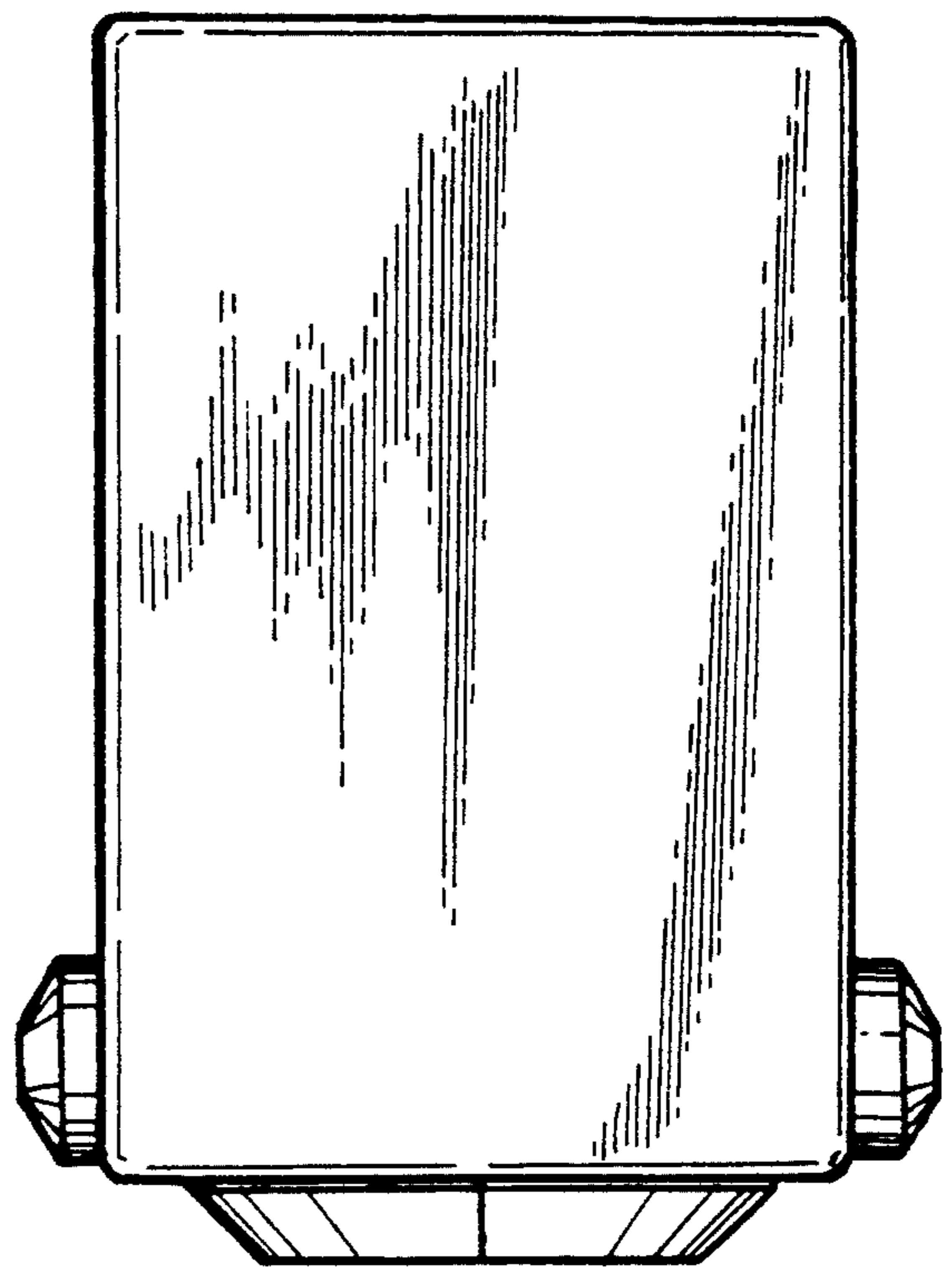


FIG. 6