



US00D346655S

United States Patent [19]

[11] Patent Number: **Des. 346,655**

Harris

[45] Date of Patent: **** May 3, 1994**

[54] **COMBINED TRAY AND HANDLE FOR AN INTRAVENOUS POLE**

[57] **CLAIM**

[76] Inventor: **Jay W. Harris**, 1614 Bolivar, Denton, Tex. 76201

The ornamental design for a combined tray and handle for an intravenous pole, as shown.

[**] Term: **14 Years**

DESCRIPTION

[21] Appl. No.: **793,714**

[22] Filed: **Nov. 18, 1991**

[52] U.S. Cl. **D24/128; D25/68**

[58] Field of Search 604/250; 211/88, 100, 211/72; 248/125, 127, 128, 155.1; D24/128, 127; D25/68

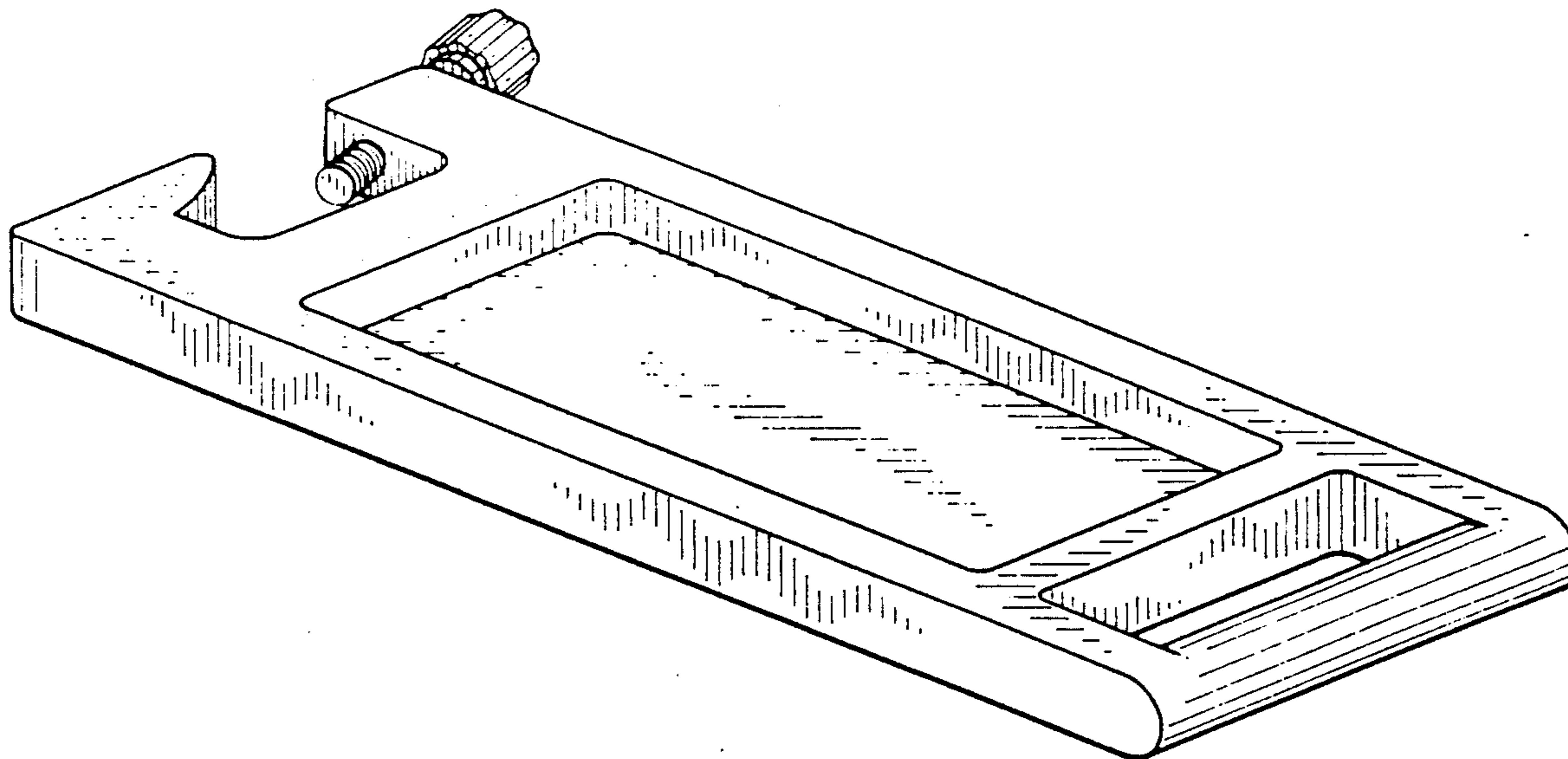
FIG. 1 is a perspective view of the combined tray and handle for an intravenous pole;
FIG. 2 is a front elevation of the combined tray and handle for an intravenous pole;
FIG. 3 is a rear elevation of the combined tray and handle for an intravenous pole;
FIG. 4 is a right side elevation of the combined tray and handle for an intravenous pole;
FIG. 5 is a left side elevation of the combined tray and handle for an intravenous pole;
FIG. 6 is a top plan view of the combined tray and handle for an intravenous pole; and,
FIG. 7 is a bottom plan view of the combined tray and handle for an intravenous pole.
The broken line showing of the intravenous pole in FIGS. 2-7 is for illustrative purposes only and forms no part of the claimed design.

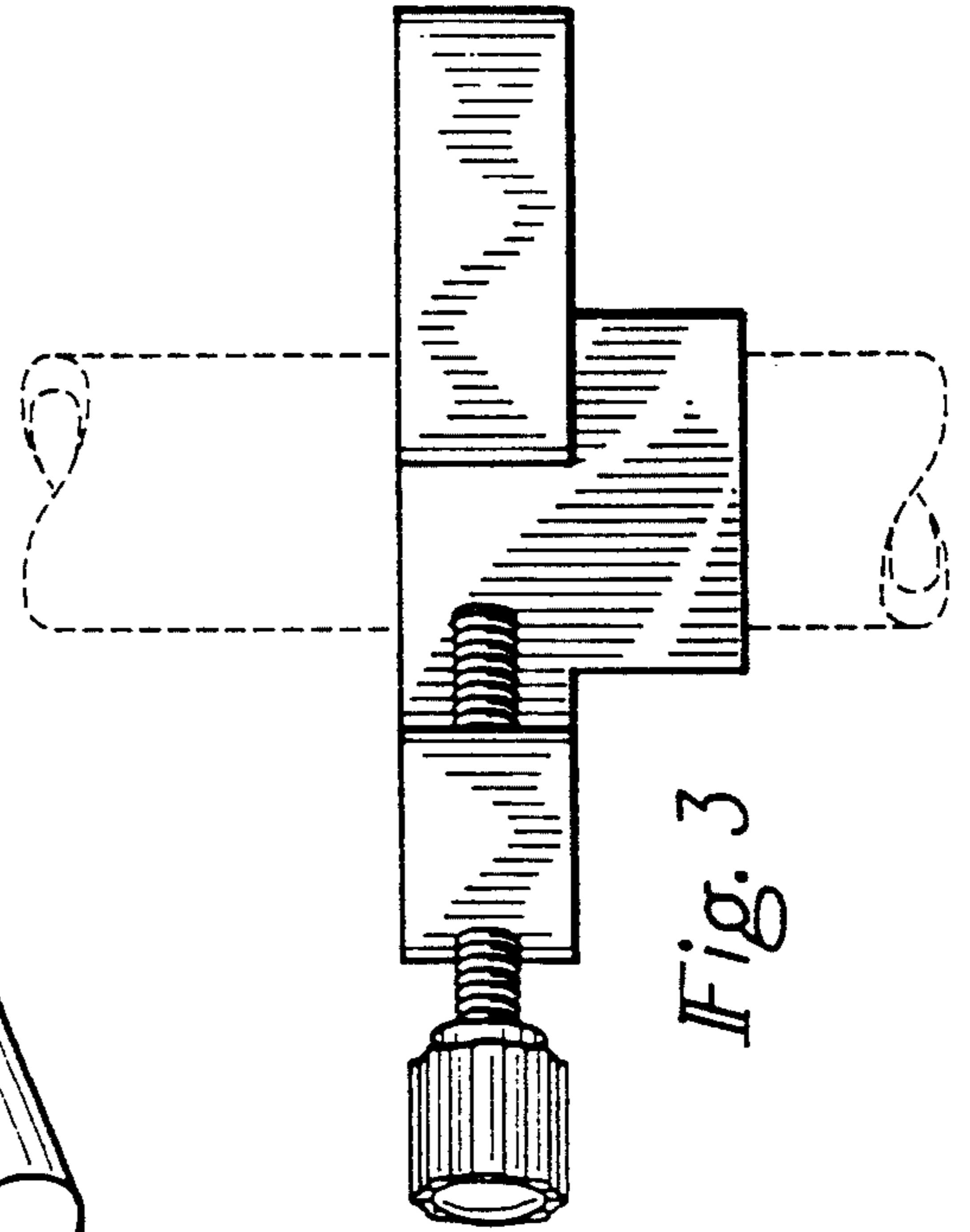
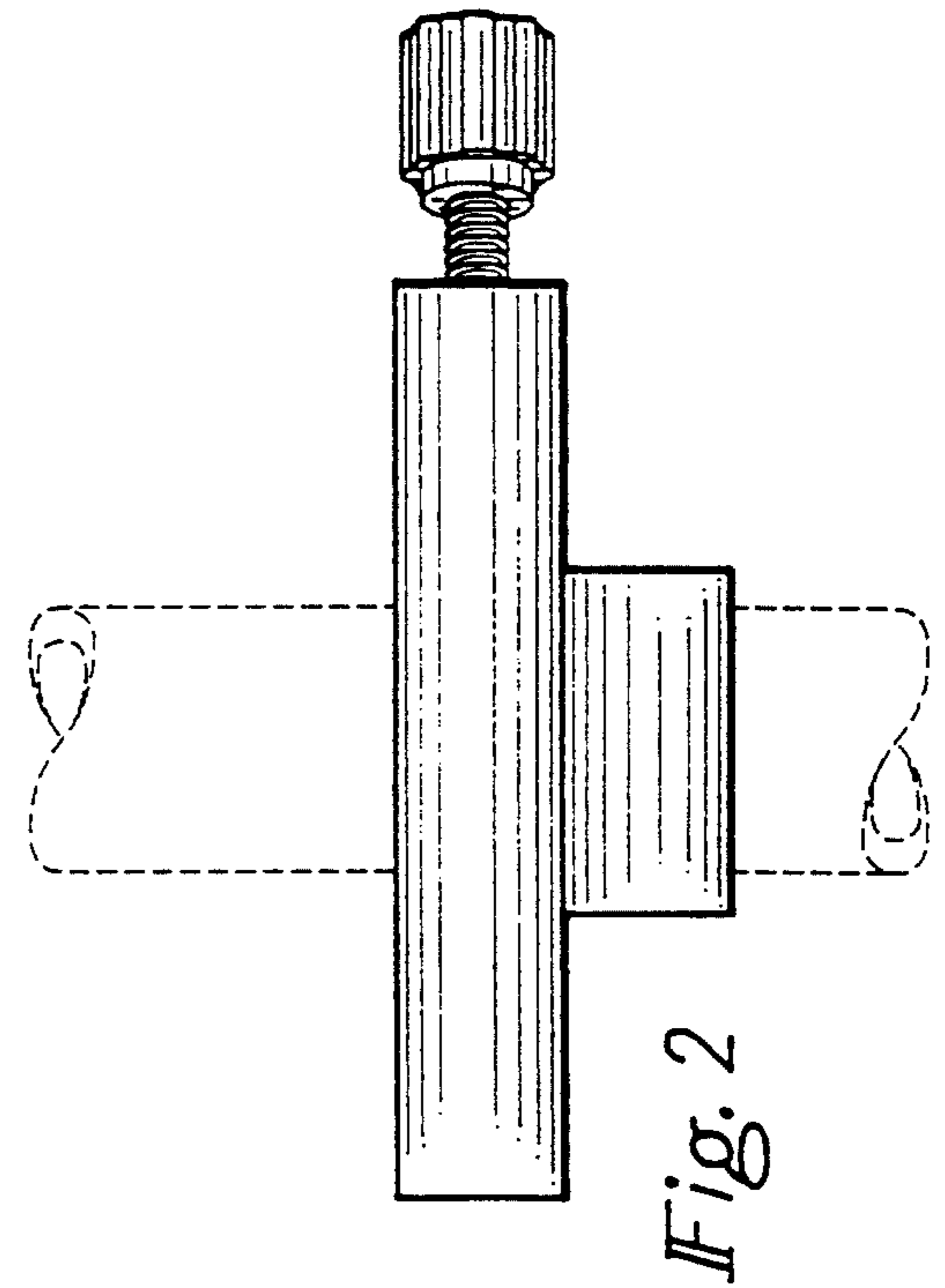
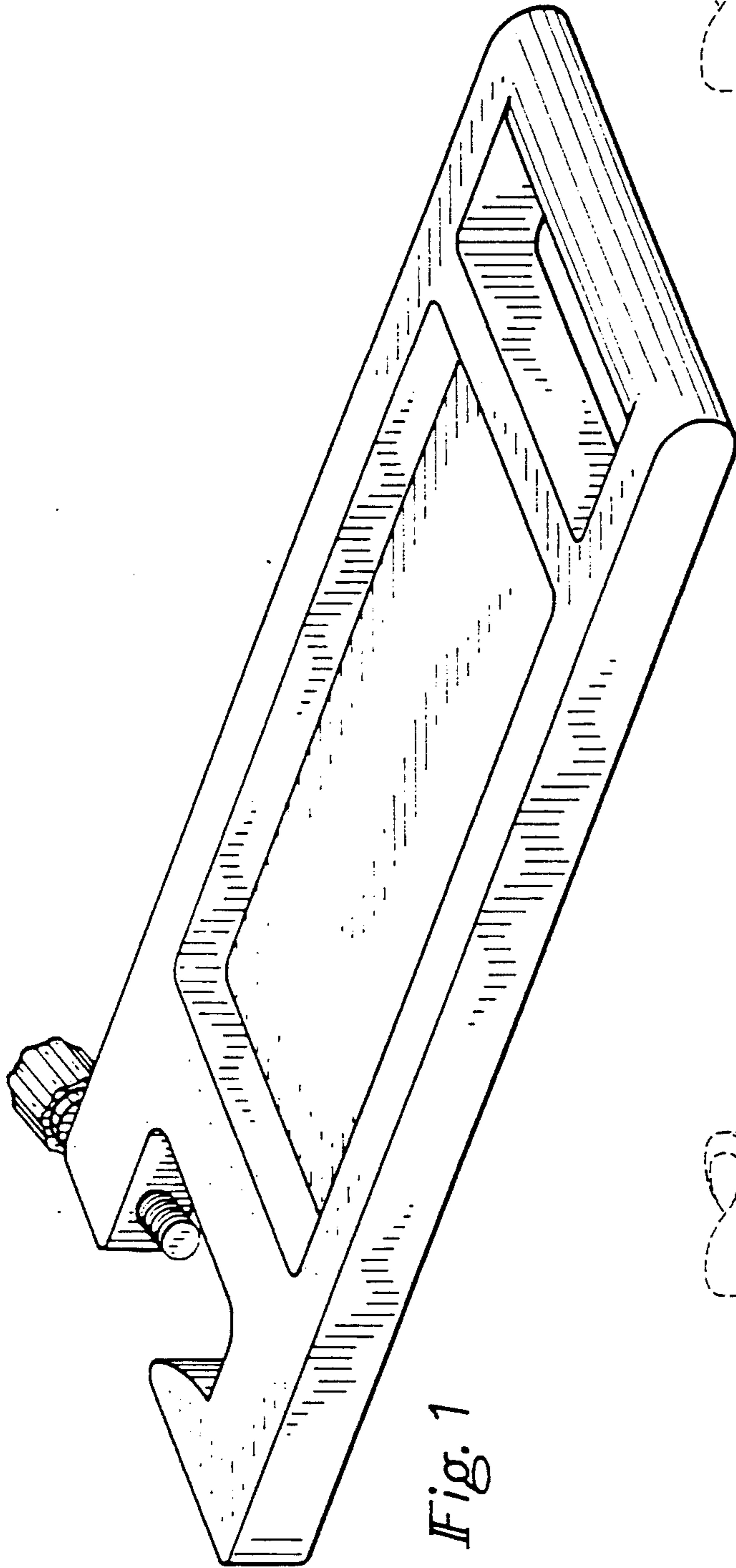
[56] **References Cited**

U.S. PATENT DOCUMENTS

- D. 262,237 12/1981 Stauber D24/128
- D. 310,570 9/1990 Wells D24/128
- 5,114,023 5/1992 Lavin D24/128 X
- 5,181,681 1/1993 Edwards 248/125

Primary Examiner—A. Hugo Word
Assistant Examiner—I. Simmons





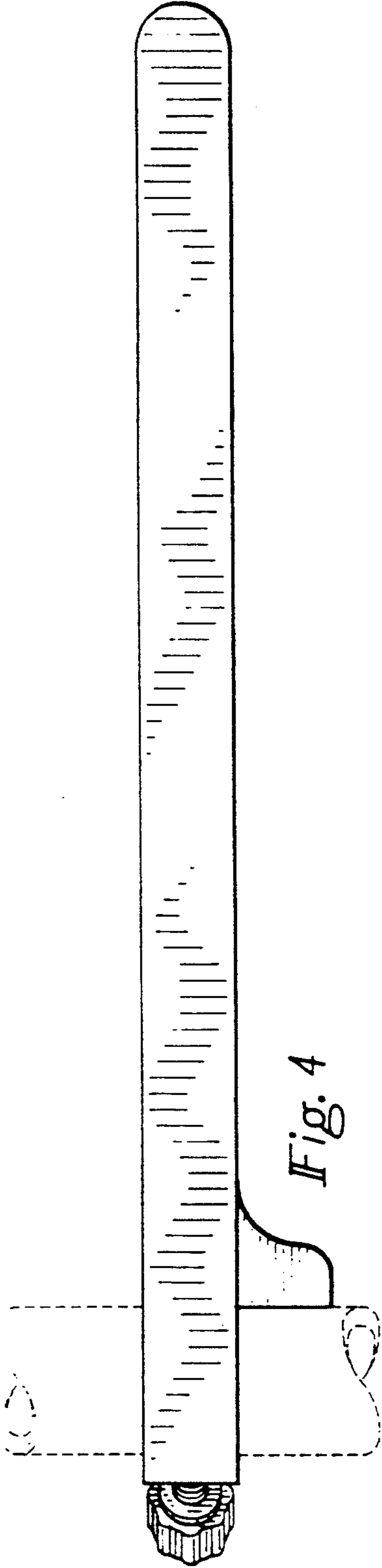


Fig. 4

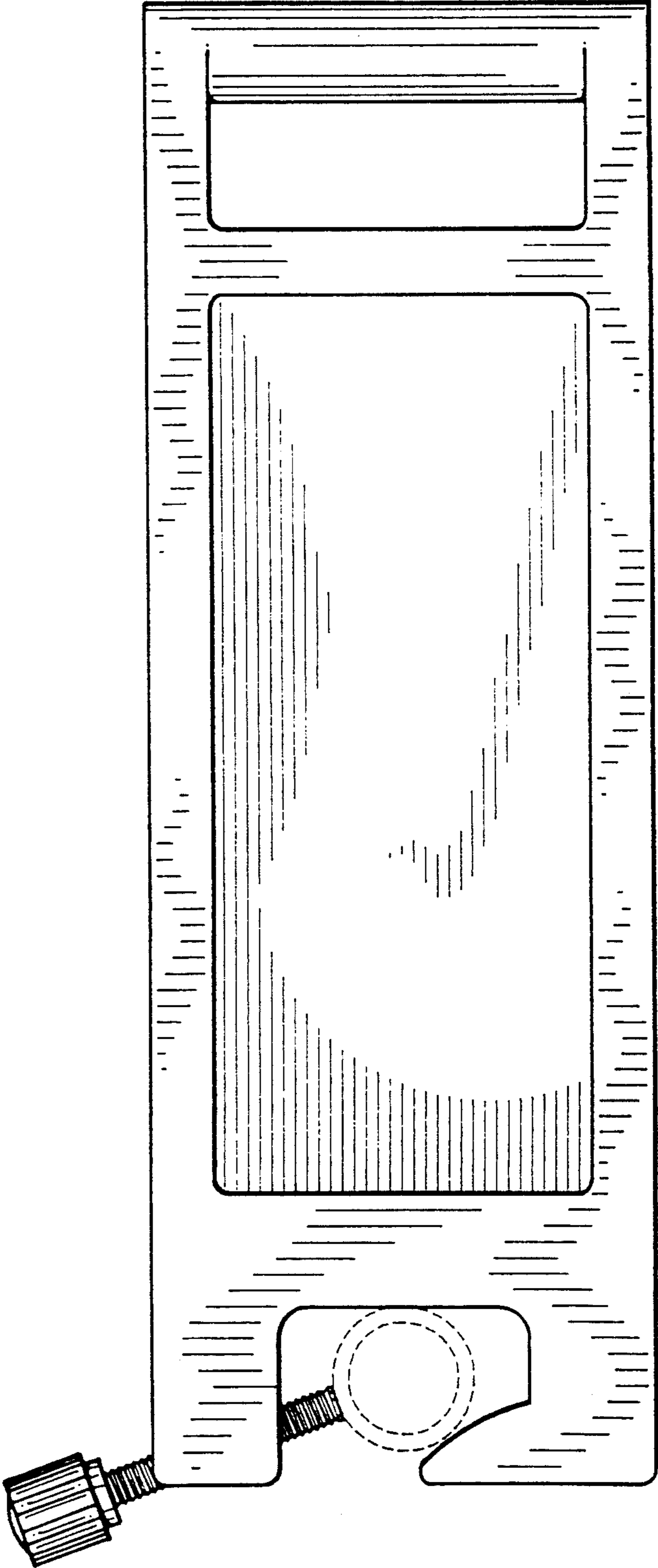


Fig. 6

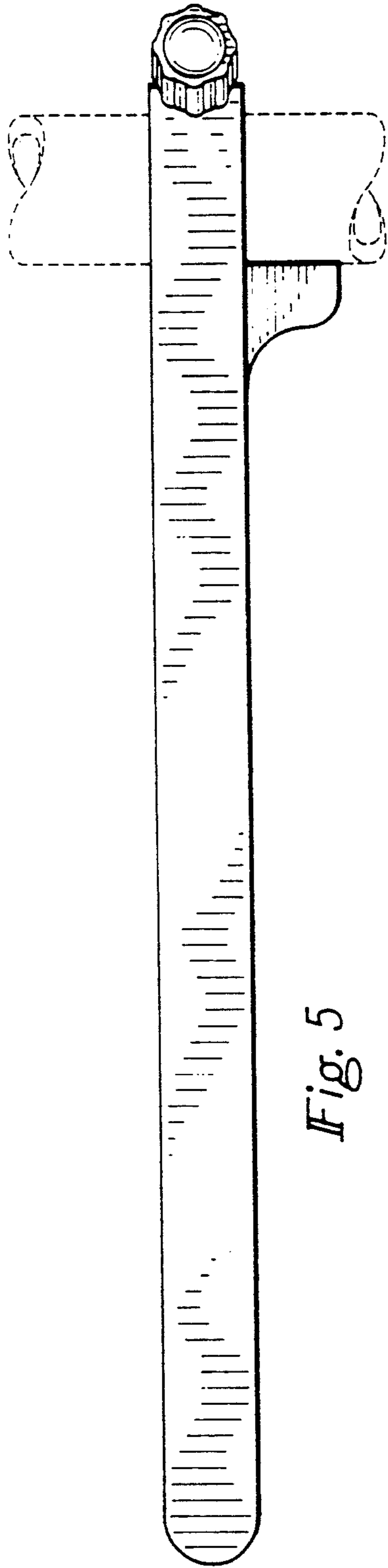


Fig. 5

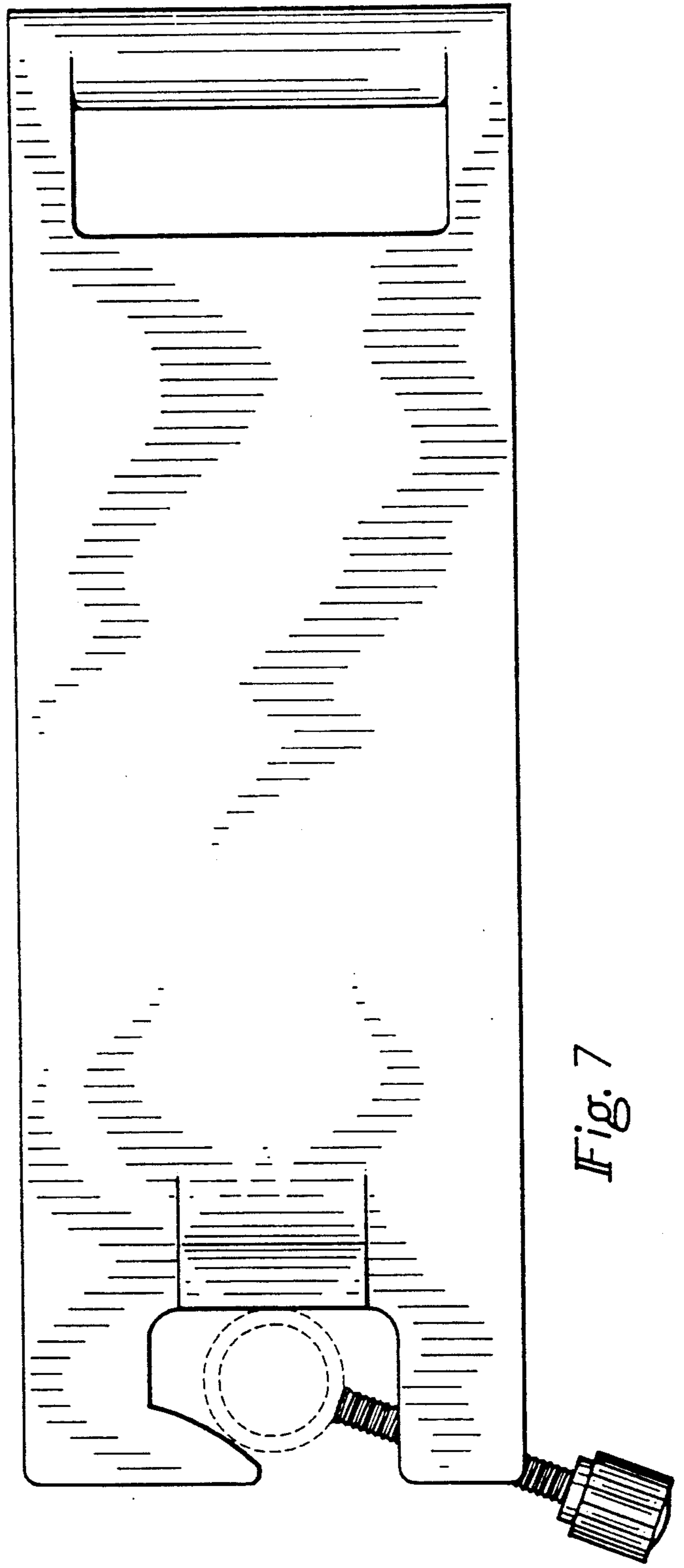


Fig. 7