



US00D346653S

# United States Patent [19]

[11] Patent Number: **Des. 346,653**

Chiu et al.

[45] Date of Patent: **\*\* May 3, 1994**

## [54] FAN STAND

[75] Inventors: **Bernard Chiu, Ashland, Mass.;**  
**Jui-Shang Wang, Taipei, Taiwan**

[73] Assignee: **Duracraft Corporation, Whitinsville, Mass.**

[\*\*] Term: **14 Years**

[21] Appl. No.: **5,423**

[22] Filed: **Mar. 4, 1993**

[52] U.S. Cl. .... **D23/411; D23/378;**  
**D6/499; D6/462**

[58] Field of Search ..... **248/676, 125;**  
**392/365-369; D6/312, 499, 462; 416/244 R,**  
**246, 247 R; D23/370, 411, 378, 335, 336, 337,**  
**328**

## [56] References Cited

### U.S. PATENT DOCUMENTS

D. 173,622 12/1954 Lindberg ..... D23/411

## OTHER PUBLICATIONS

Tatung Fan Cat., p. 1, Fan TSHV-18, upper left side of page.

Diehl Fans Cat., p. 5 Fans A, B, and C, left middle side of page.

*Primary Examiner*—Wallace R. Burke

*Assistant Examiner*—Lisa Lichtenstein

*Attorney, Agent, or Firm*—John E. Toupal; Harold G. Jarcho

## [57] CLAIM

The ornamental design for a fan stand, as shown and described.

## DESCRIPTION

FIG. 1 is a front elevational view of a fan stand showing our new design;

FIG. 2 is a right side elevational view thereof;

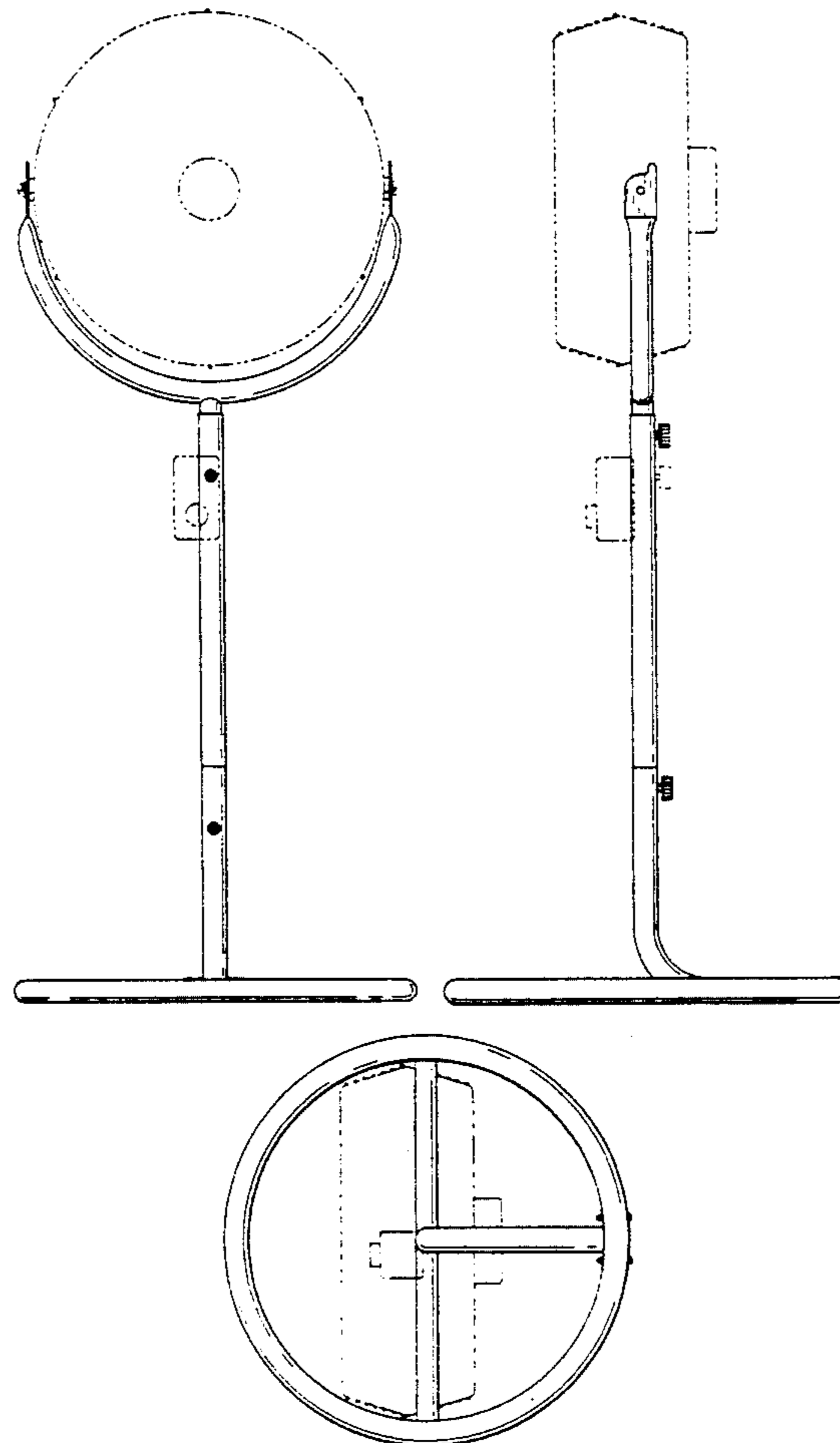
FIG. 3 is a rear elevational view thereof;

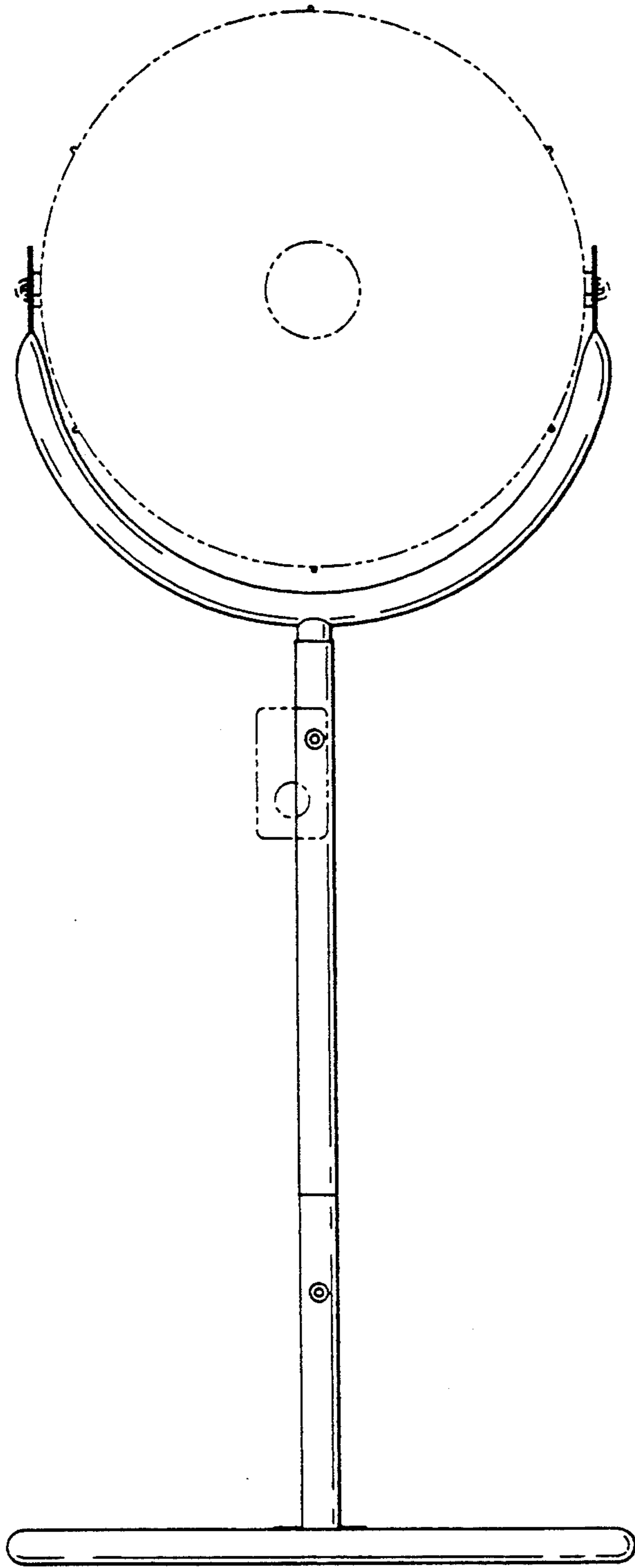
FIG. 4 is a left side elevational view thereof;

FIG. 5 is a top plan view thereof; and,

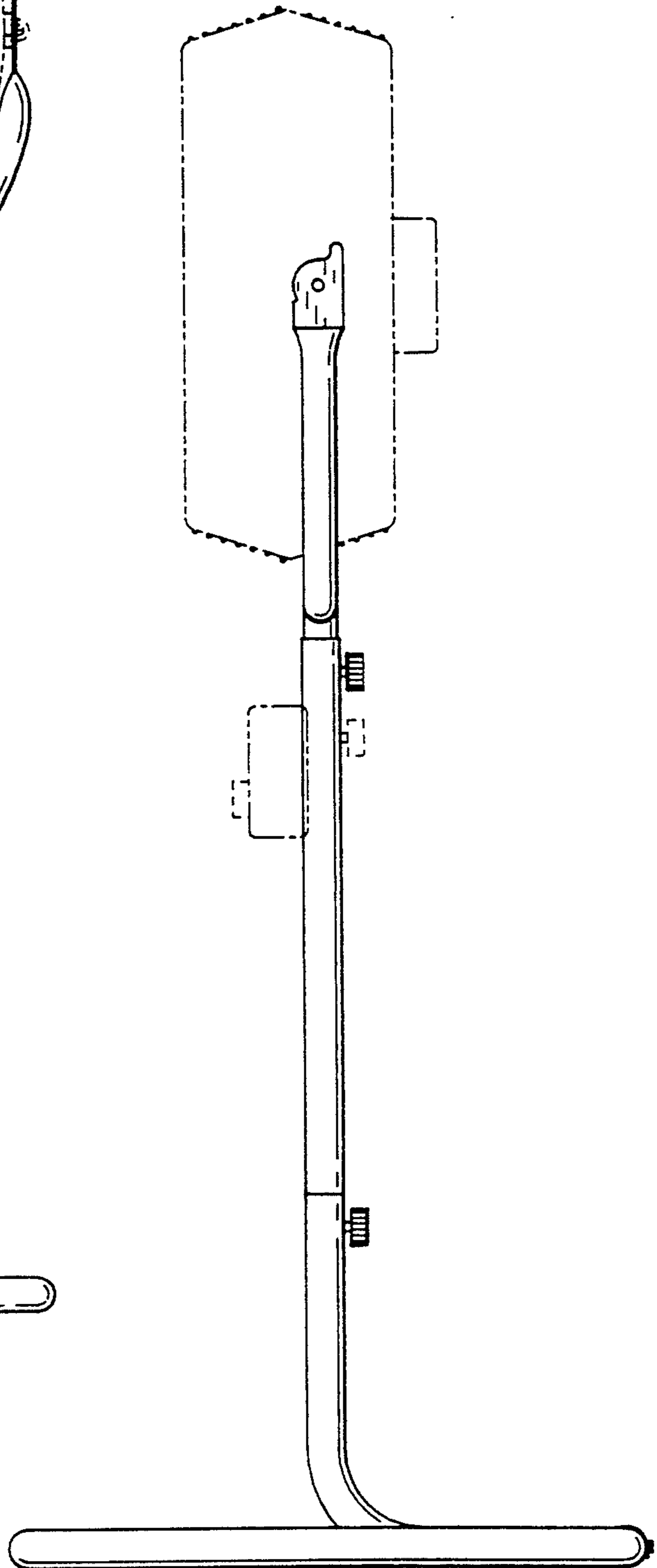
FIG. 6 is a bottom plan view thereof.

The broken line showing of environmental structure in FIGS. 1-6, is for illustrative purposes only and forms no part of the claimed design.

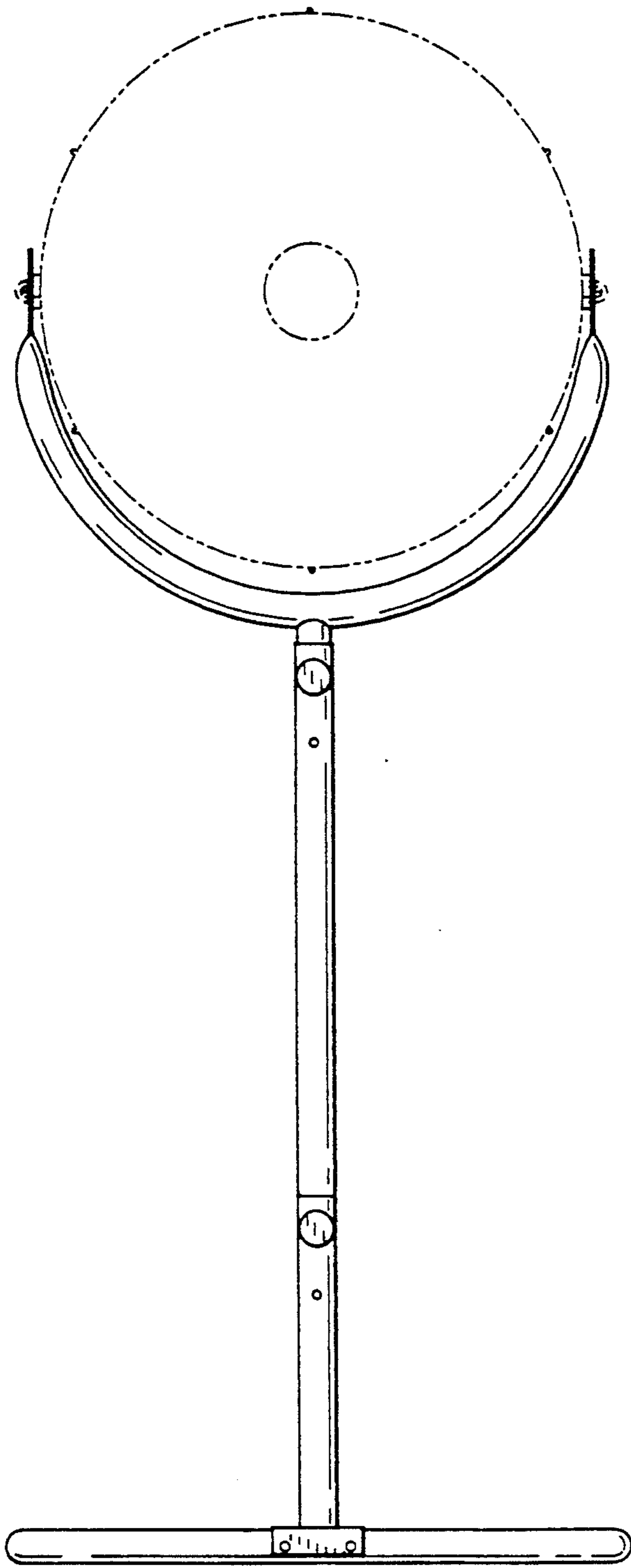




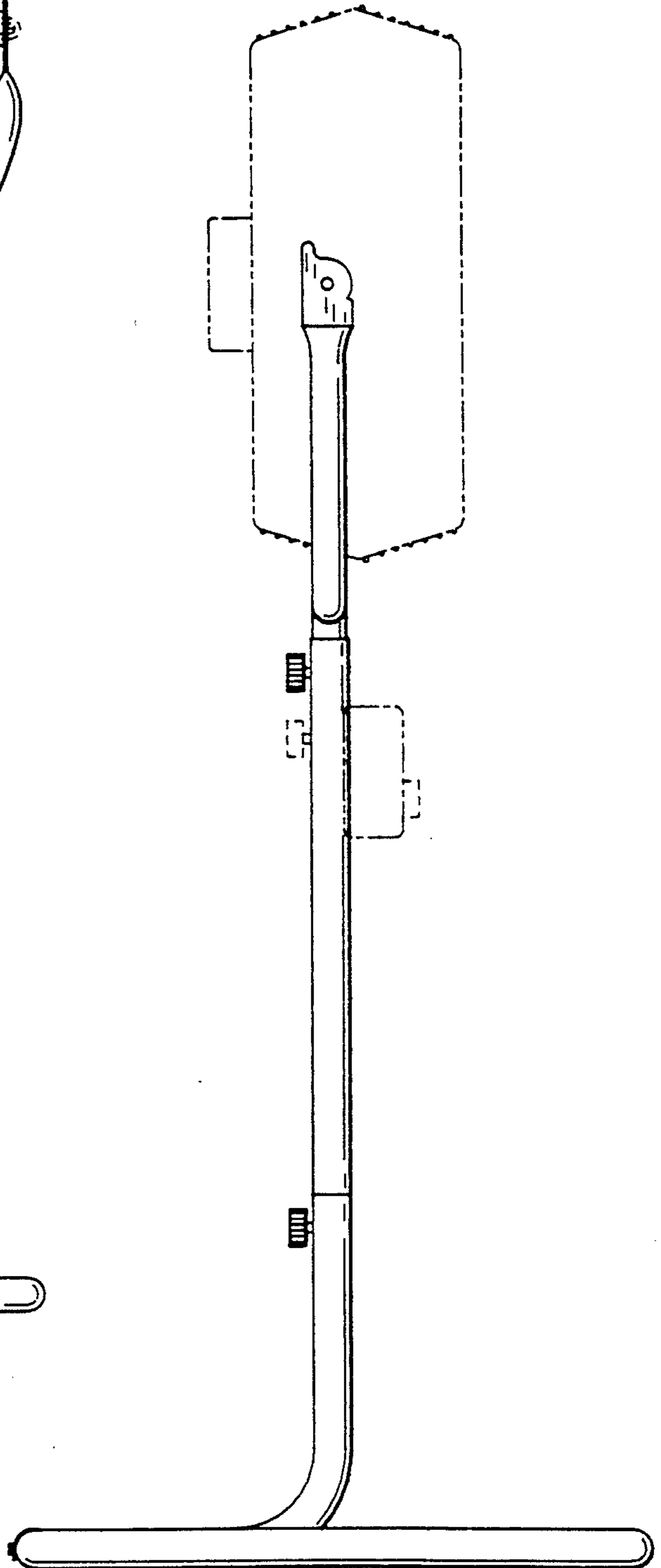
**FIG. 1**



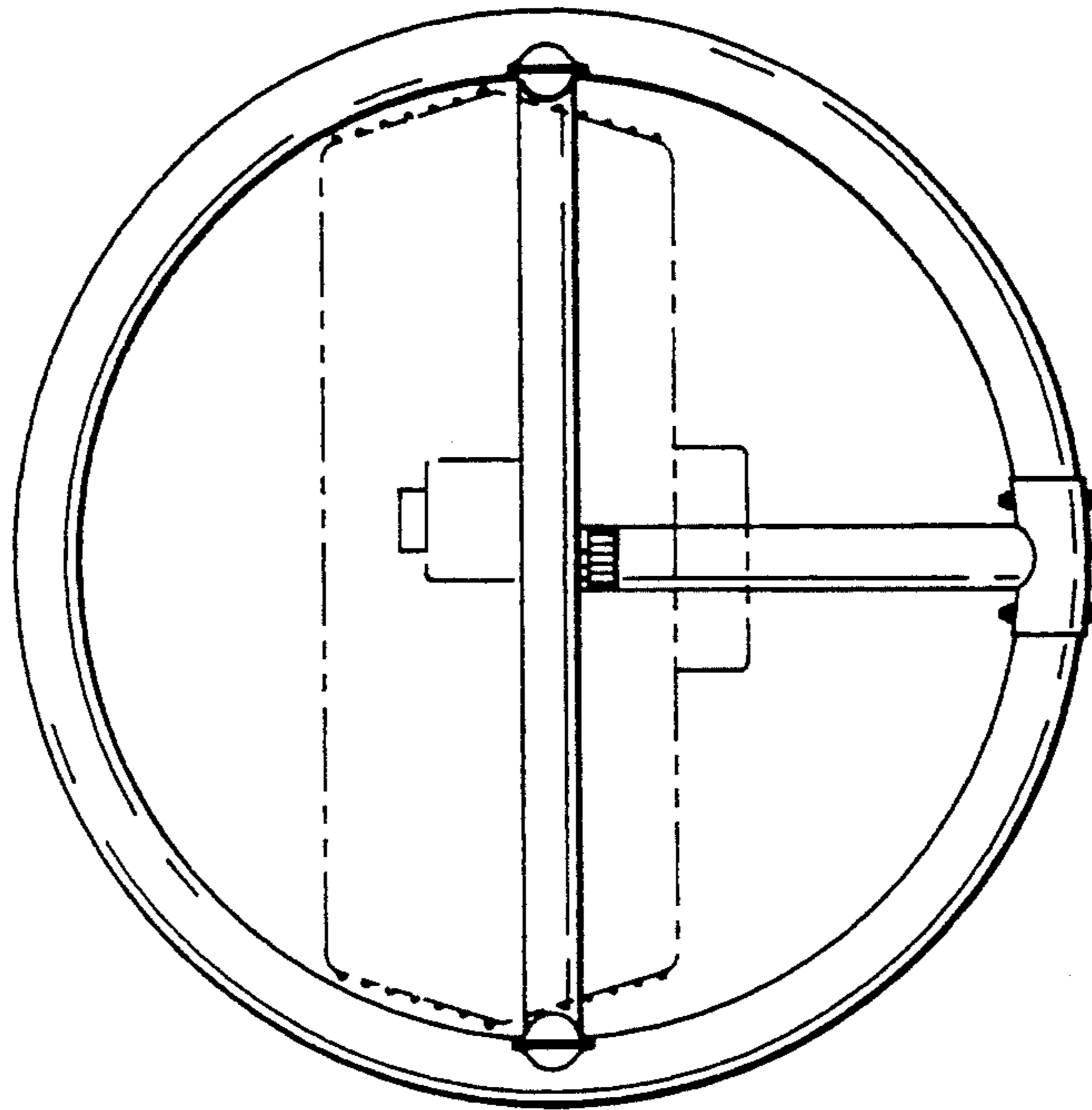
**FIG. 2**



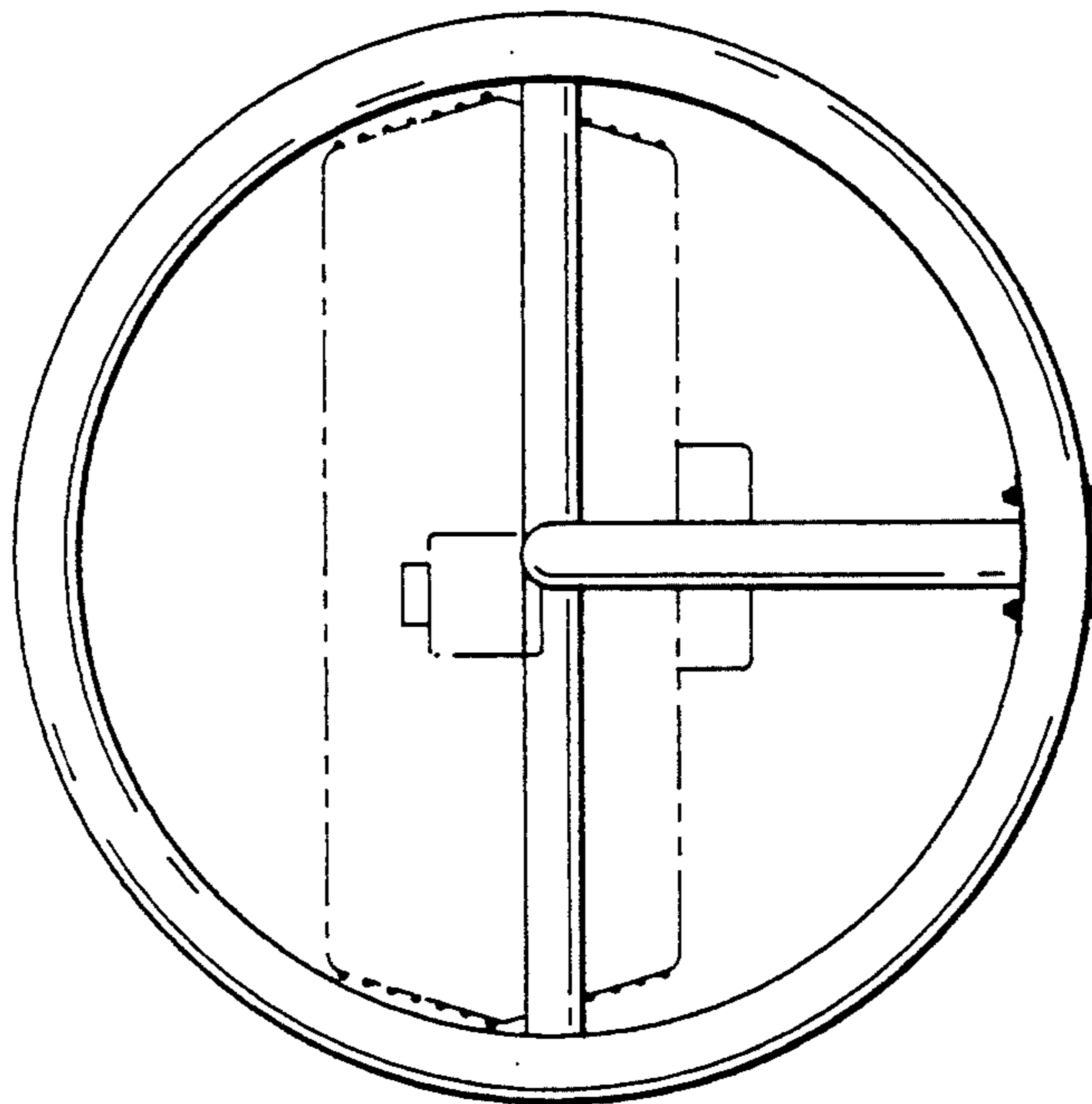
**FIG. 3**



**FIG. 4**



**FIG. 5**



**FIG. 6**