



US00D346651S

United States Patent [19]

[11] Patent Number: **Des. 346,651**

DiPasquale

[45] Date of Patent: **** May 3, 1994**

[54] **COMBINED MOUNTING CANOPY, MOTOR AND SWITCH HOUSING AND BLADE IRONS UNIT FOR A CEILING FAN**

[75] Inventor: **Charles J. DiPasquale**, Carrollton, Tex.

[73] Assignee: **Smartel, Inc.**, Carrollton, Tex.

[**] Term: **14 Years**

[21] Appl. No.: **5,761**

[22] Filed: **Mar. 11, 1993**

[52] U.S. Cl. **D23/377; D23/379; D23/385**

[58] Field of Search **416/5; 362/96, 363; 392/364; D23/377, 379, 385, 411; D26/81-86, 88, 59, 51, 72**

[56] **References Cited**

U.S. PATENT DOCUMENTS

| | | | | |
|------------|---------|---------|-------|---------|
| D. 297,456 | 8/1988 | Pearce | | D23/379 |
| D. 308,419 | 6/1990 | Mason | | D23/411 |
| D. 312,139 | 11/1990 | Wang | | D26/51 |
| D. 328,638 | 8/1992 | Hsieh | | D23/377 |
| 1,607,413 | 11/1926 | Tillson | | D26/85 |

OTHER PUBLICATIONS

Thomas Industries Inc. Brochure, p. 1, Ceiling Fan, upper left side of page.

American Lantern Ceiling Fans Cat., ©1980, front cover, ceiling fan.

Primary Examiner—Wallace R. Burke

Assistant Examiner—Lisa Lichtenstein

Attorney, Agent, or Firm—Dennis T. Griggs

[57] **CLAIM**

The ornamental design for a combined mounting canopy, motor and switch housing and blade irons unit for a ceiling fan, as shown and described.

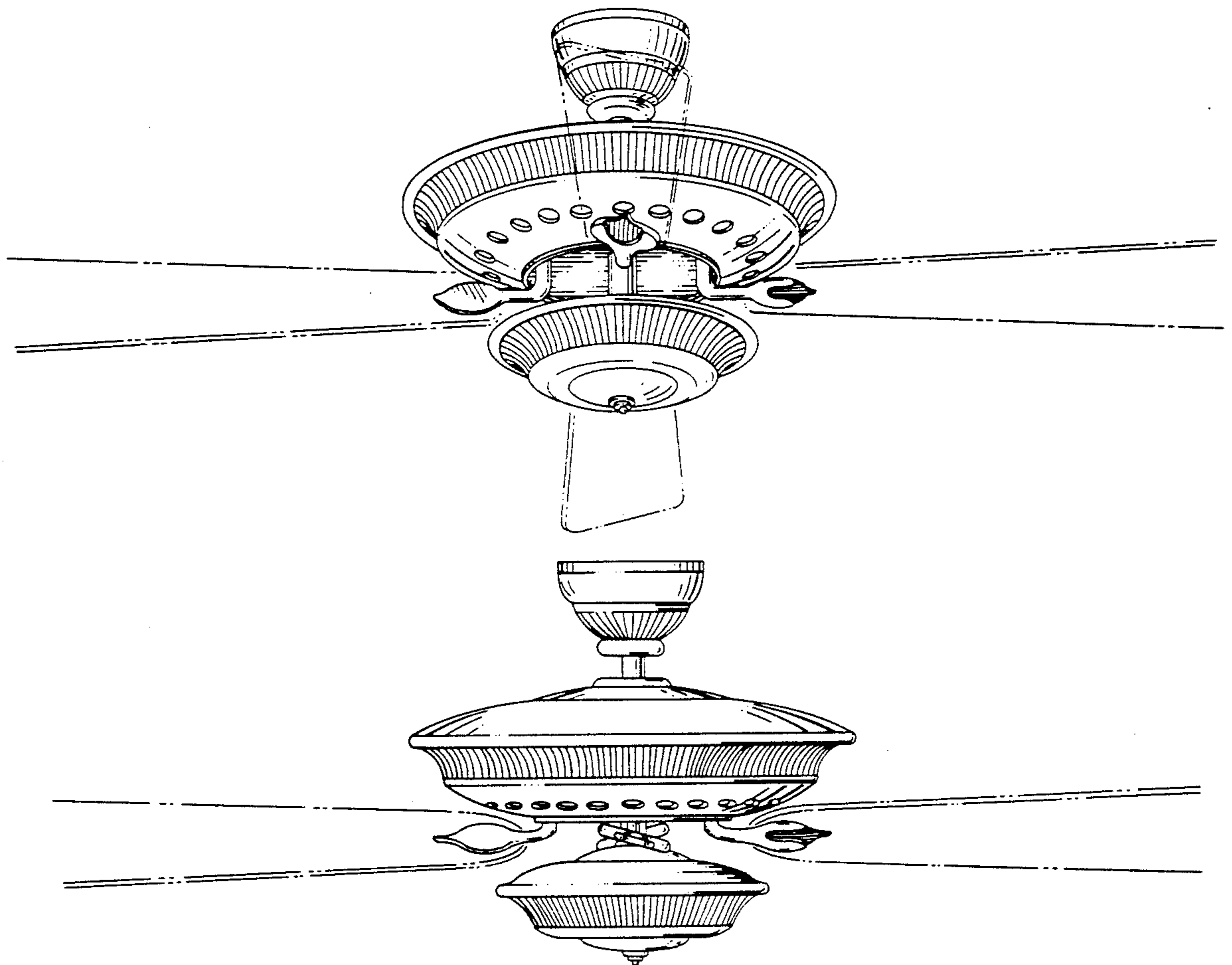
DESCRIPTION

FIG. 1 is a perspective view of a combined mounting canopy motor and switch housing and blade irons unit for a ceiling fan showing my new design, the broken lines showing fan blades being for illustrative purposes only and forming no part of the claimed design;

FIG. 2 is a side elevational view thereof, the opposite and adjacent sides being mirror images of that shown;

FIG. 3 is a top plan view thereof; and,

FIG. 4 is a bottom plan view thereof.



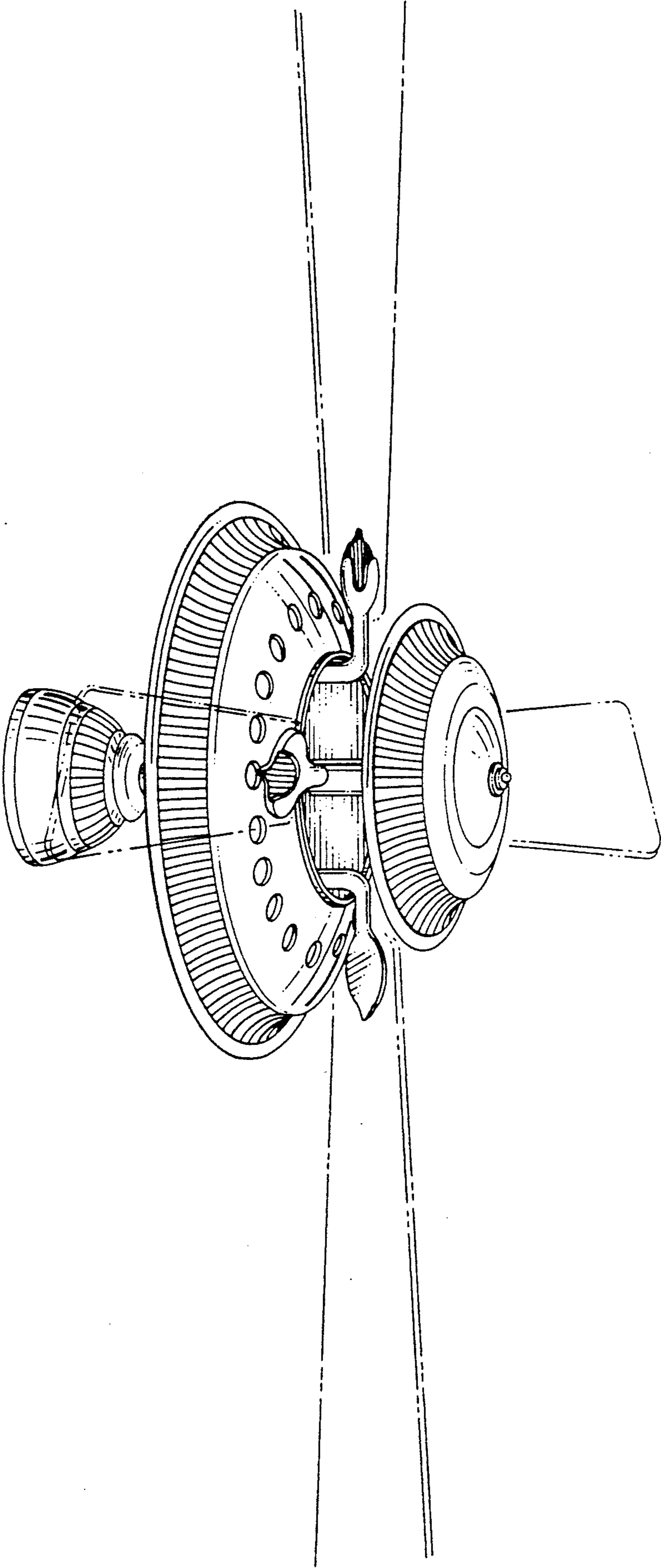


FIG. 1

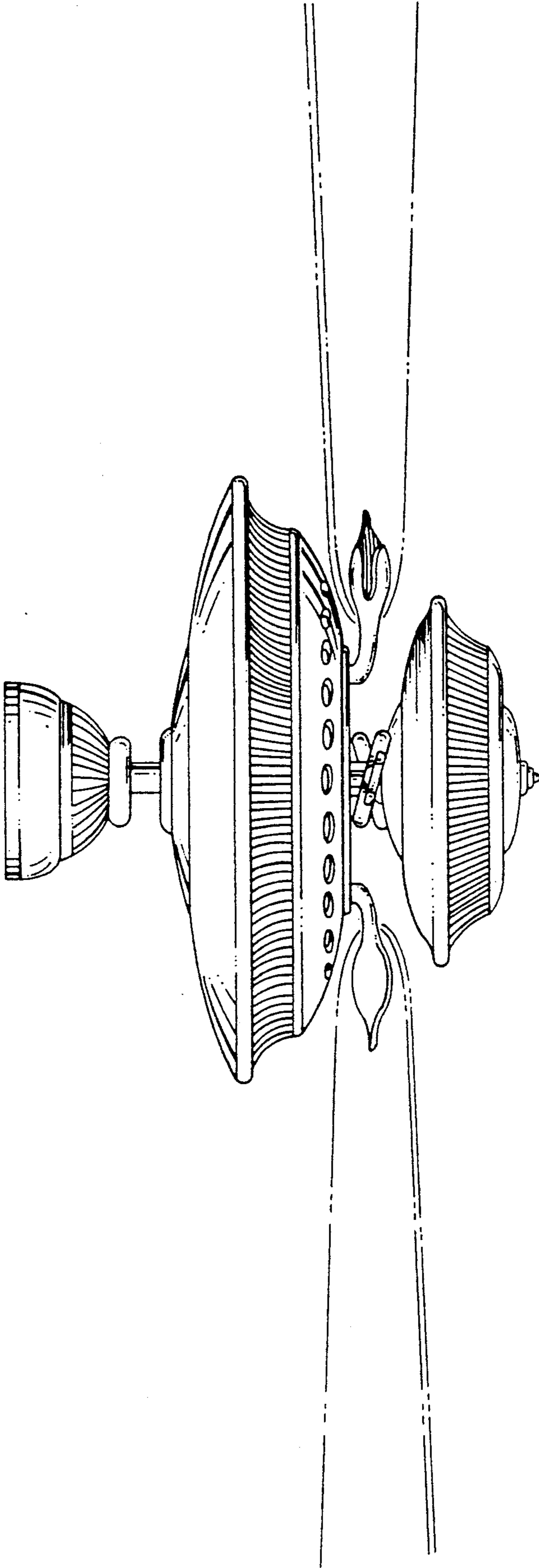


FIG. 2

FIG. 3

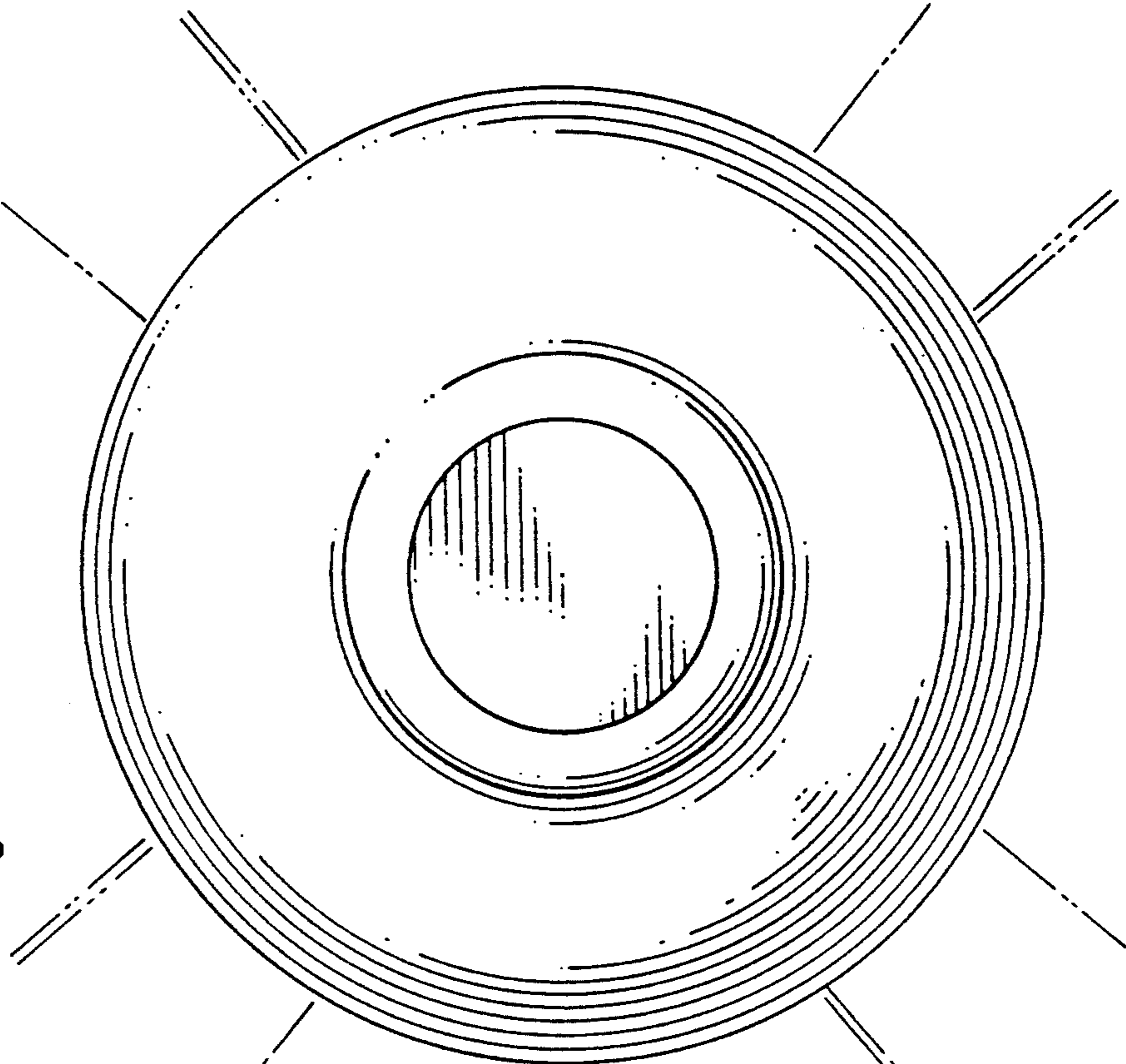


FIG. 4

