



US00D346650S

United States Patent [19]

[11] Patent Number: **Des. 346,650**

Bremer

[45] Date of Patent: **** May 3, 1994**

[54] RESISTIVE WATER HEATER ELEMENT

[76] Inventor: **Richard W. Bremer, P.O. Box 1395, Hemet, Calif. 92343**

[**] Term: **14 Years**

[21] Appl. No.: **641,369**

[22] Filed: **Jan. 15, 1991**

[52] U.S. Cl. **D23/322**

[58] Field of Search 392/308, 370, 392, 430, 392/441, 451, 453, 455, 485; D23/322, 318, 319, 320, 321

[56] References Cited

U.S. PATENT DOCUMENTS

1,323,643	12/1919	Mulvany et al.	451/392
1,408,634	3/1922	Passmore et al.	308/392
1,815,088	7/1931	Allen et al.	310/392
1,879,880	9/1932	Lindsey	38/126
1,937,059	11/1933	Fountain	38/219
2,244,926	3/1974	Bomans .	
2,304,302	12/1942	Crupi	37/219
3,527,260	9/1970	Kimmel	136/122
3,687,128	8/1972	Williams	350/126 R
3,738,351	6/1973	Watts	350/126 R
3,768,458	10/1973	Williams	350/126 R
3,802,397	4/1974	Wariner	136/122
3,943,328	3/1976	Cunningham	335/219
4,093,816	6/1978	Case	2/13 R
4,152,578	5/1979	Jacobs	336/219
4,240,362	12/1980	Wigdahl	234/110
4,310,746	1/1982	Elkern et al.	326/219
4,401,101	8/1983	Lunde	367/126
4,587,401	5/1986	Ekman	392/308

FOREIGN PATENT DOCUMENTS

846910 8/1952 Fed. Rep. of Germany
2244926 3/1974 Fed. Rep. of Germany
197522 5/1938 Switzerland

OTHER PUBLICATIONS

Trailer Life, p. 103, Hot Rod, A upper right side of page.

Domestic Engineering, May 1949, p. 90, water heating element Type P, upper left side of page.

Primary Examiner—Wallace R. Burke

Assistant Examiner—Lisa Lichtenstein

Attorney, Agent, or Firm—Bernhard Kreten

[57] CLAIM

The ornamental design for a resistive water heater element, as shown and described.

DESCRIPTION

FIG. 1 is a side view of a resistive water heater element showing my new design, wherein both sides of the resistive water heater element are the same;

FIG. 2 is a front view thereof;

FIG. 3 is a rear view thereof;

FIG. 4 is a top view thereof;

FIG. 5 is a bottom view thereof; and,

FIG. 6 is a front view thereof, shown in its intended environment.

The broken-line showing of environmental structure in FIG. 6 is for illustrative purposes only and forms no part of the claimed design.

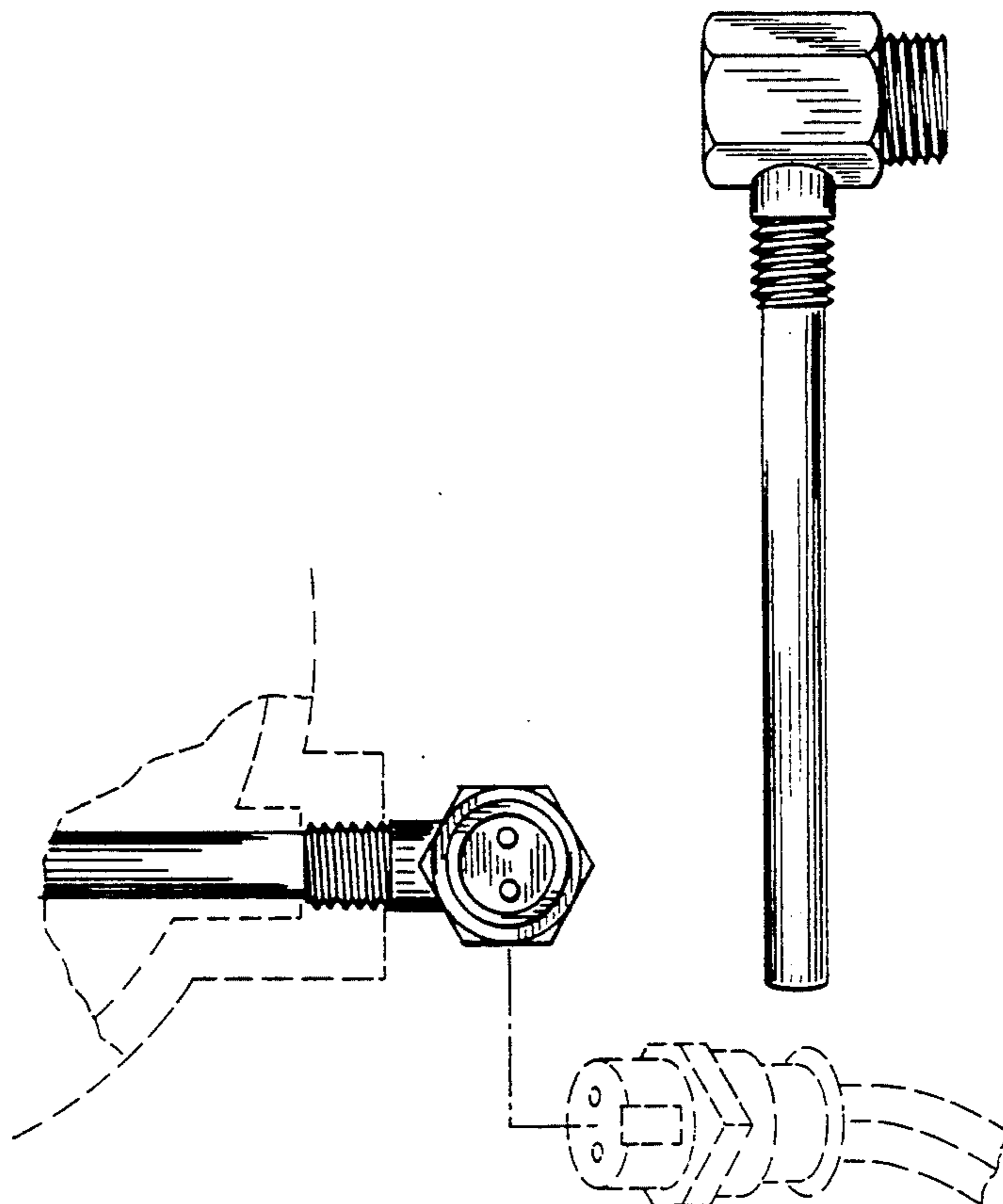


FIG. 1

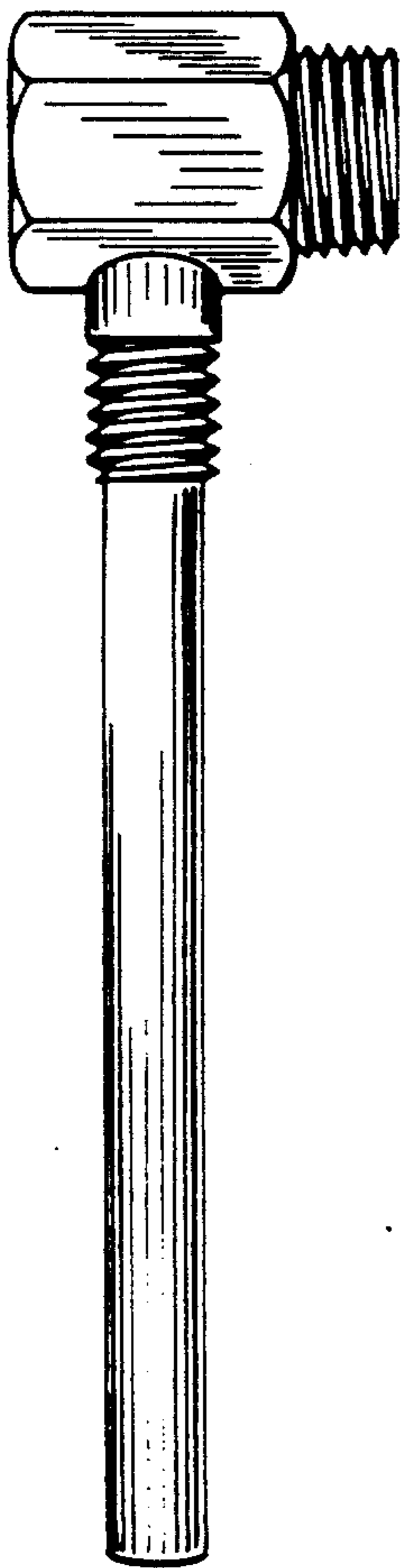


FIG. 2

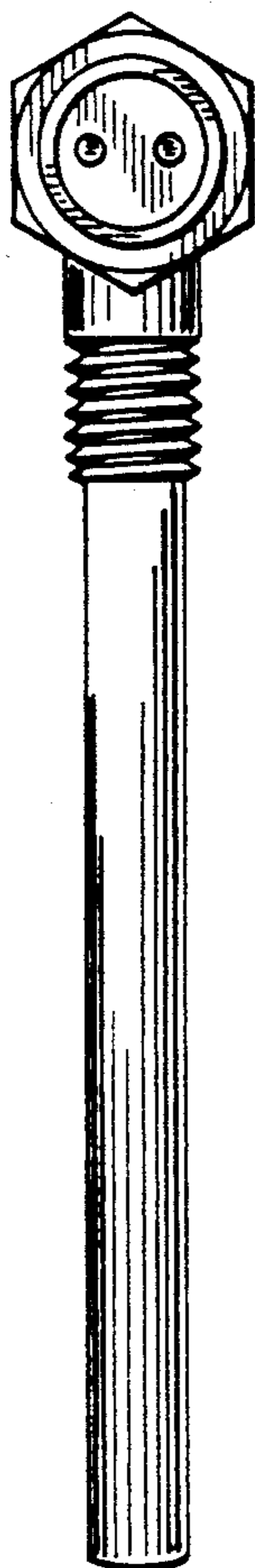


FIG. 3

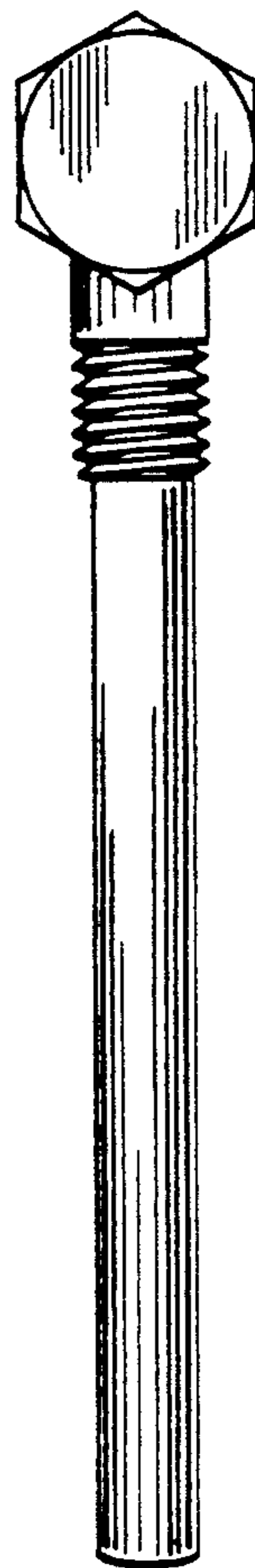


FIG. 4

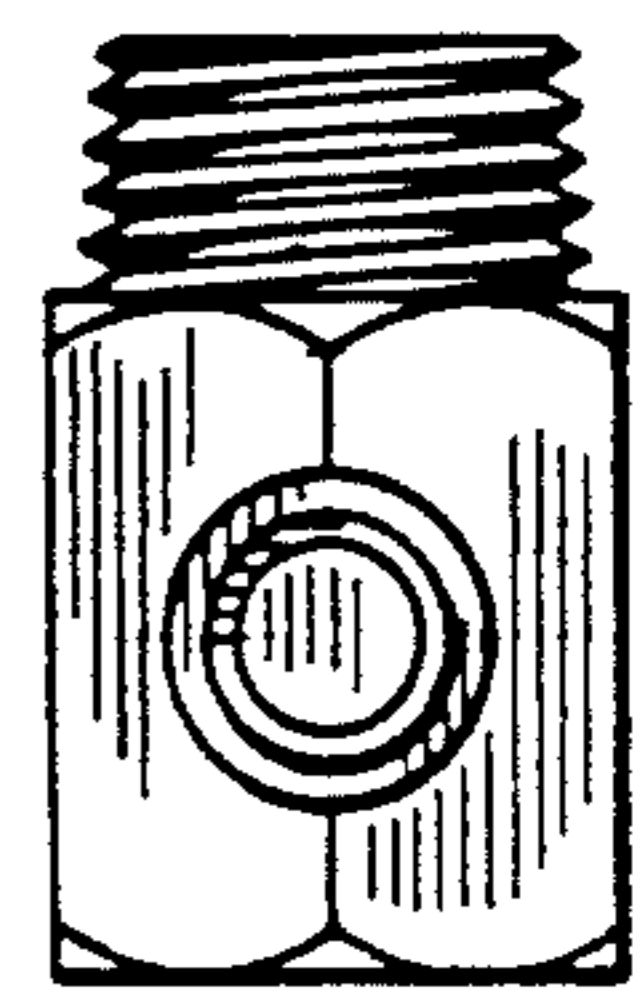
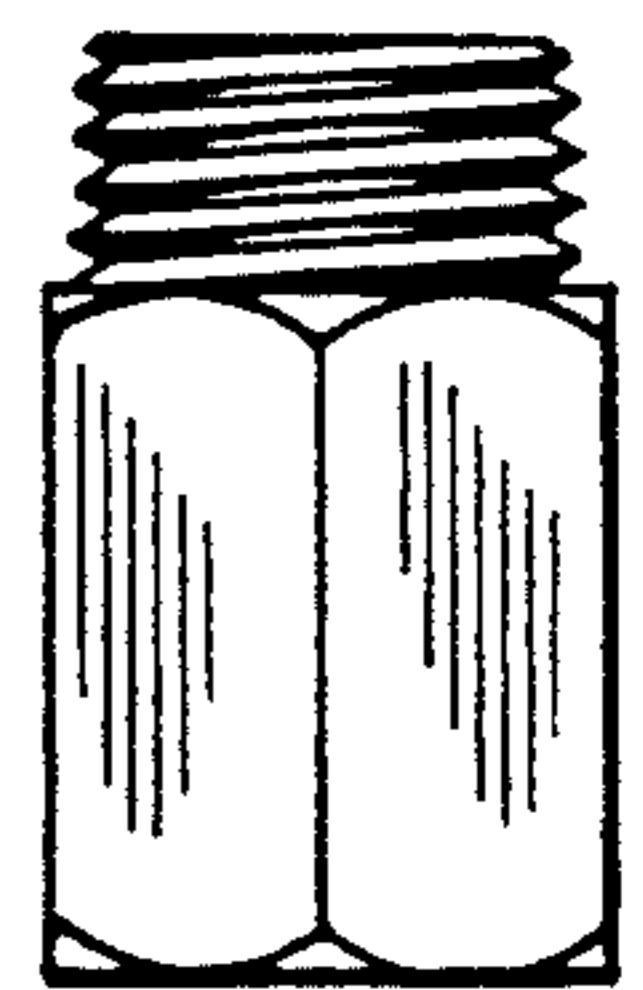


FIG. 5

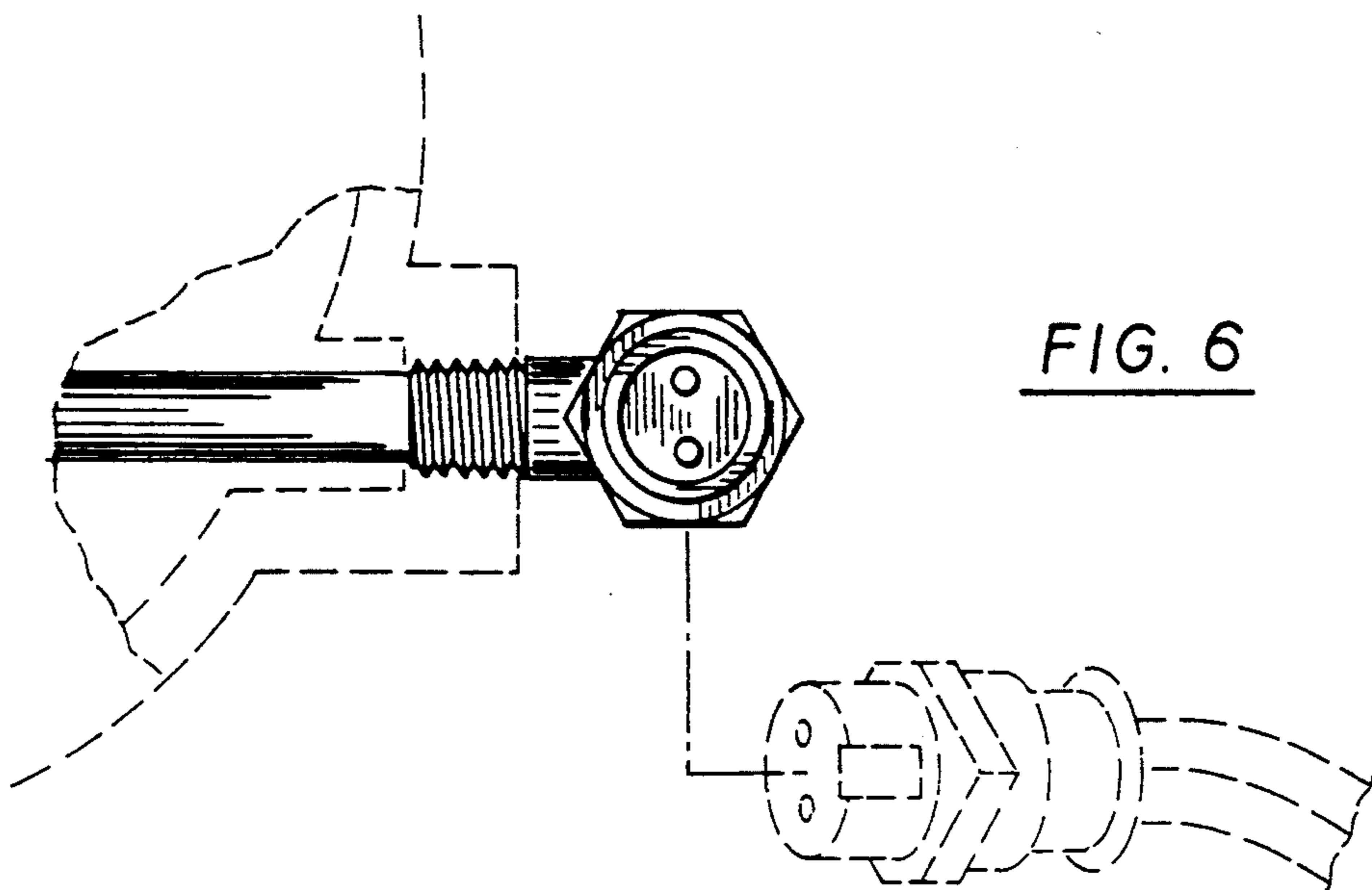


FIG. 6