



US00D346649S

United States Patent [19]

[11] Patent Number: **Des. 346,649**

Verona

[45] Date of Patent: **** May 3, 1994**

[54] **ARMREST FOR A TOILET**

3,574,242	4/1971	Trowbridge	4/254
3,921,236	11/1975	Klein	4/254
4,685,157	8/1987	James	4/254

[75] Inventor: **Stephen F. Verona, Bel Air, Calif.**

[73] Assignee: **The Original Throne Chair Company, Beverly Hills, Calif.**

*Primary Examiner—James R. Largen
Attorney, Agent, or Firm—Ladas & Parry*

[**] Term: **14 Years**

[57] **CLAIM**

[21] Appl. No.: **882,643**

The ornamental design for a arm rest for a toilet, as shown and described.

[22] Filed: **May 11, 1992**

[52] U.S. Cl. **D23/309**

[58] Field of Search 4/237, 254;
D23/303-311

DESCRIPTION

FIG. 1 is a perspective view of an arm rest for a toilet showing my new design;

FIG. 2 is a front elevational view thereof;

FIG. 3 is a top plan view thereof;

FIG. 4 is another perspective view thereof;

FIG. 5 is a rear elevational view thereof;

FIG. 6 is a right side elevational view thereof, the left side being a mirror image of the right side; and,

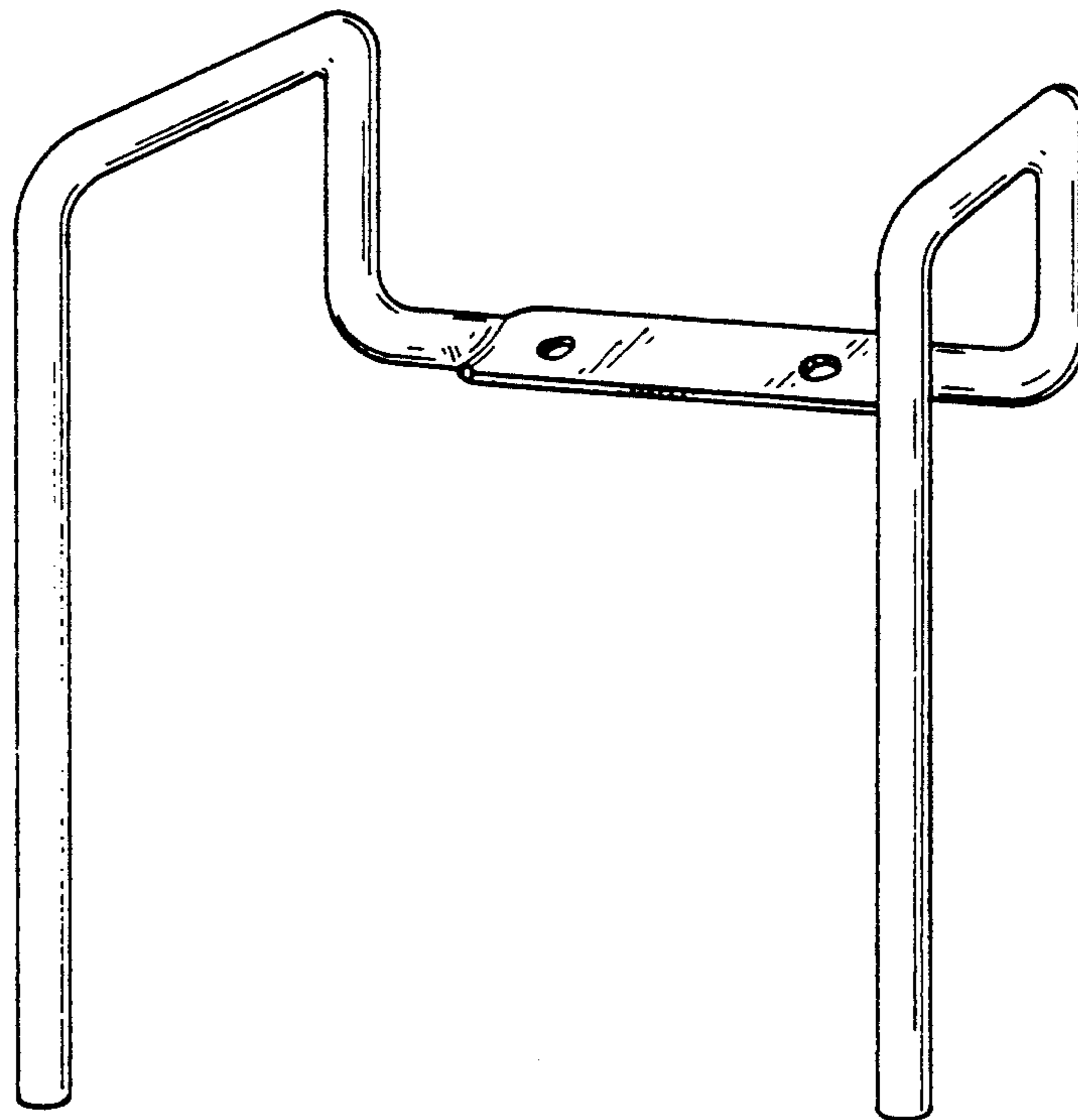
FIG. 7 is a bottom plan view thereof.

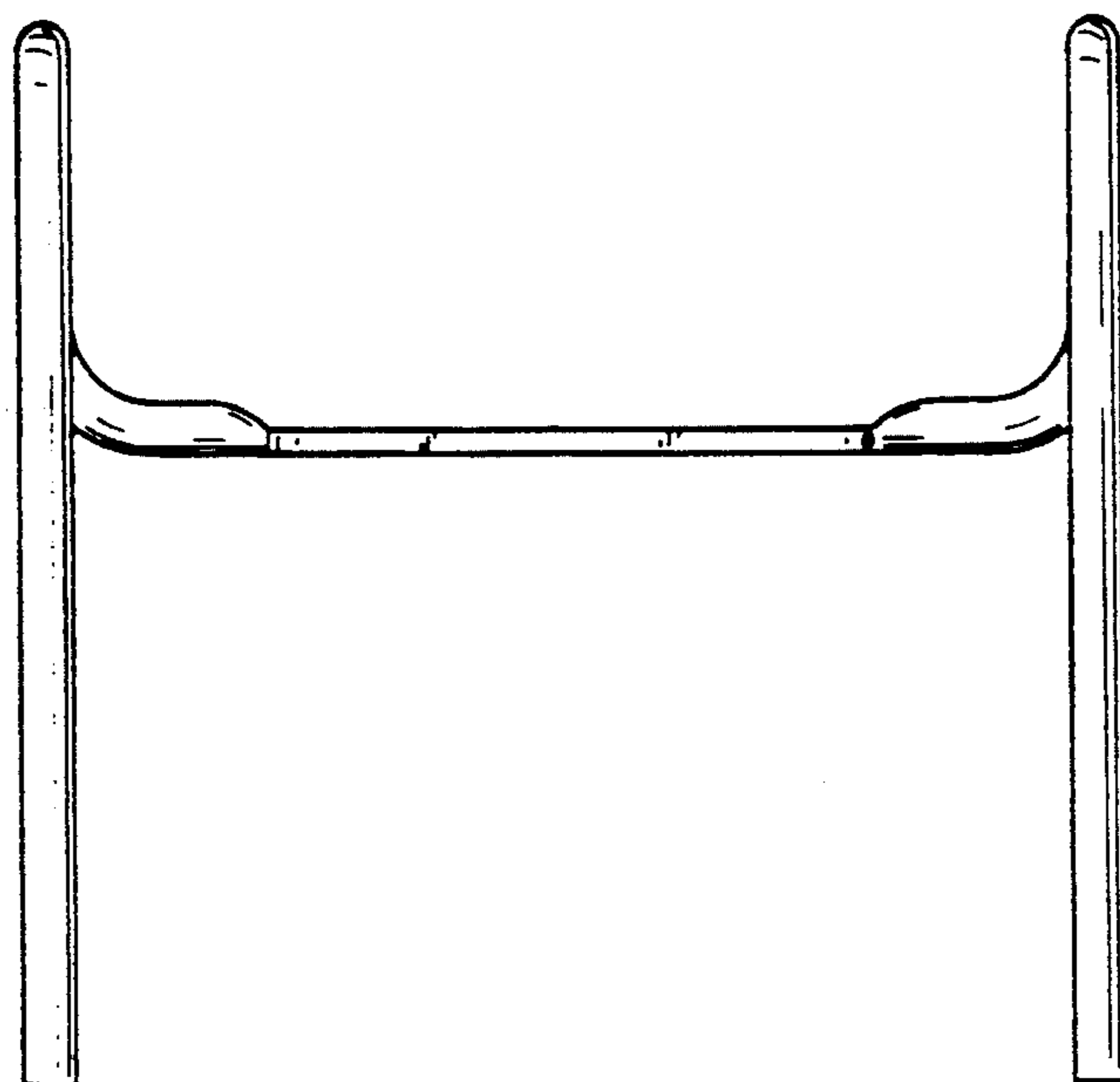
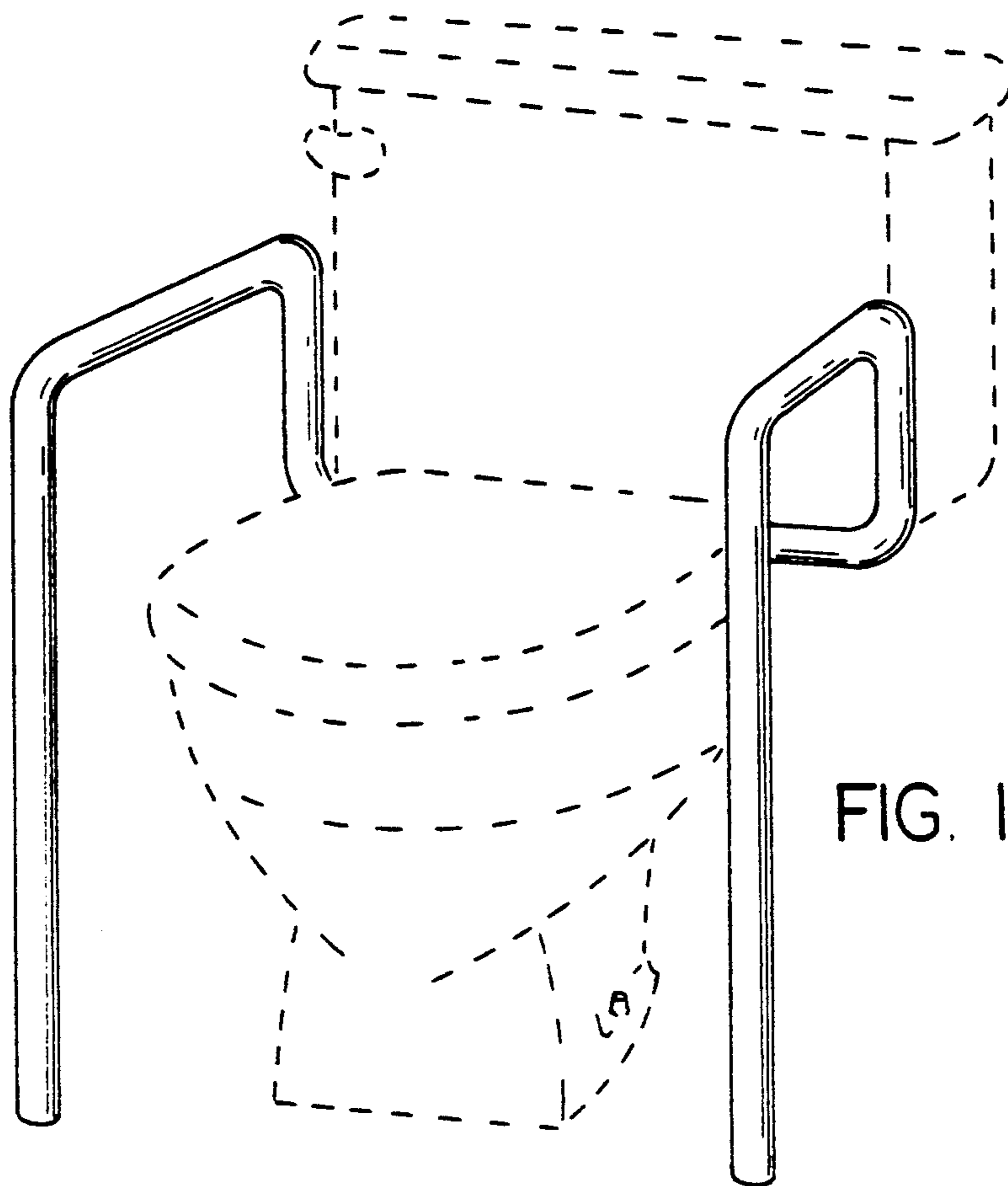
The broken line representation of a toilet and toilet seat in FIG. 1 is for purposes of illustration only and forms no part of the claimed design.

[56] **References Cited**

U.S. PATENT DOCUMENTS

D. 179,394	12/1956	Mills	D23/309
D. 257,879	1/1981	Hicks	D23/309
2,774,975	12/1956	Frank	4/254
3,090,051	5/1963	Oakland	4/254
3,323,144	6/1967	Ferris, Jr.	
3,405,411	10/1968	Brown	
3,474,471	10/1969	Matibag	4/254





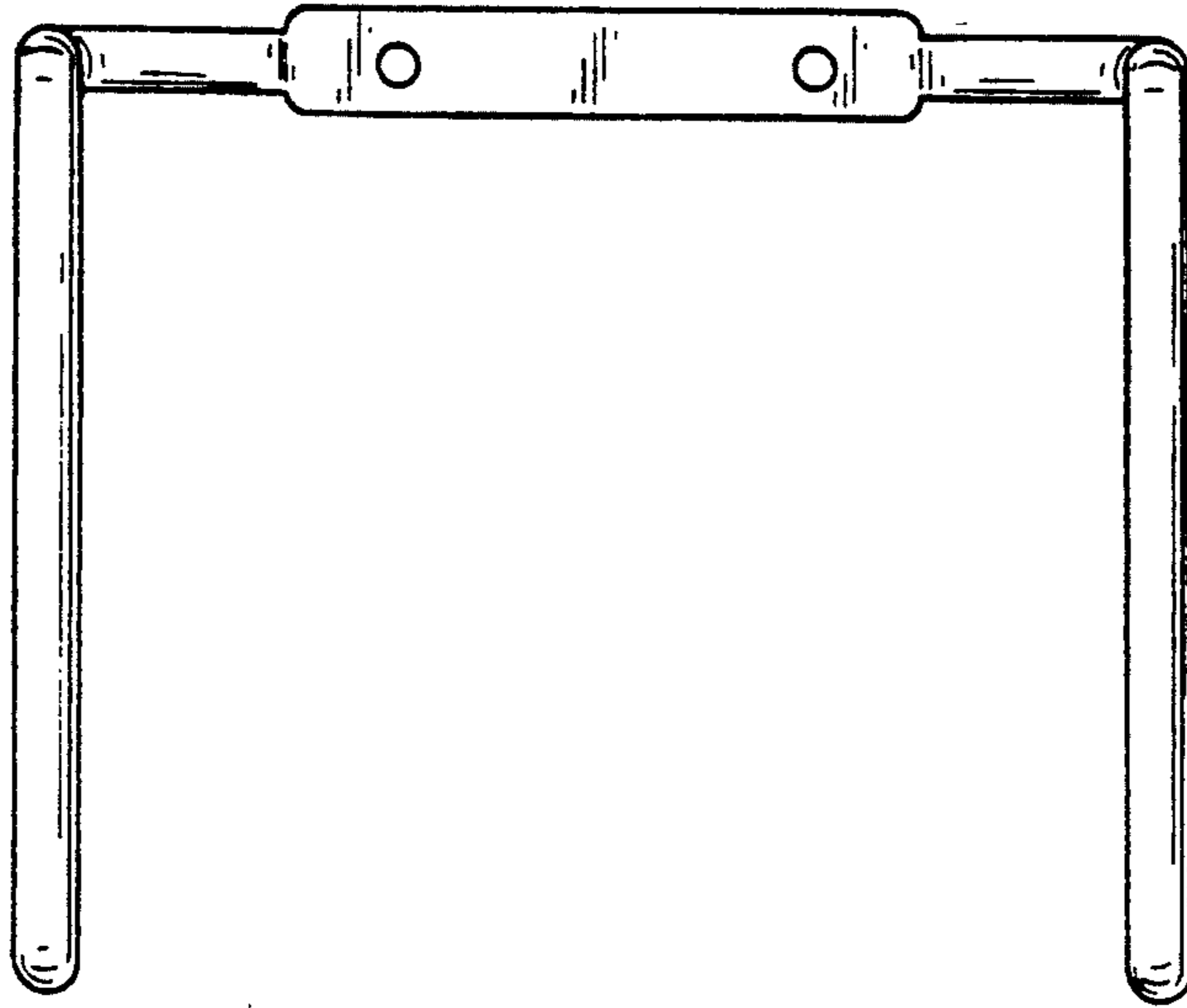


FIG. 3

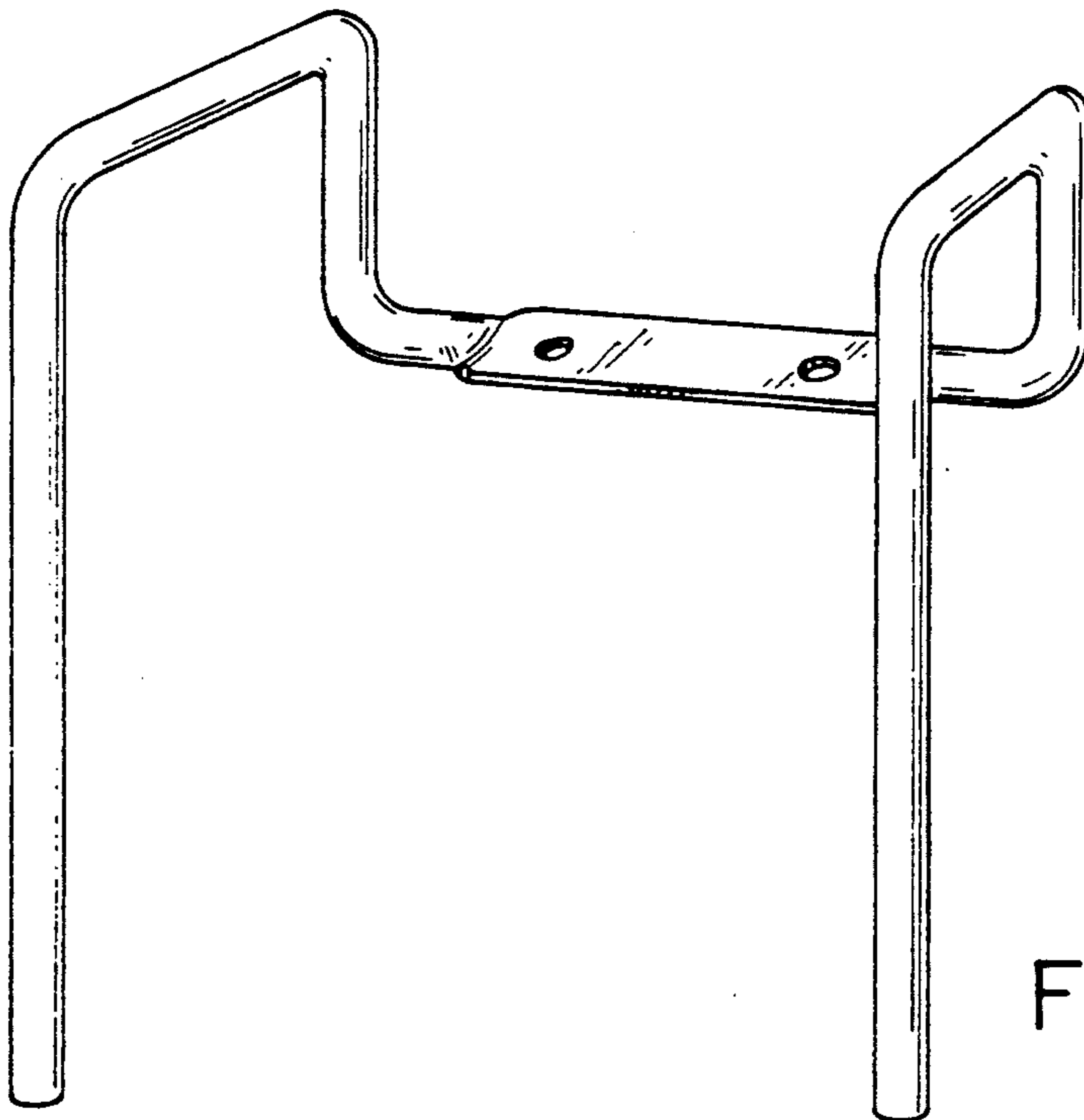


FIG. 4

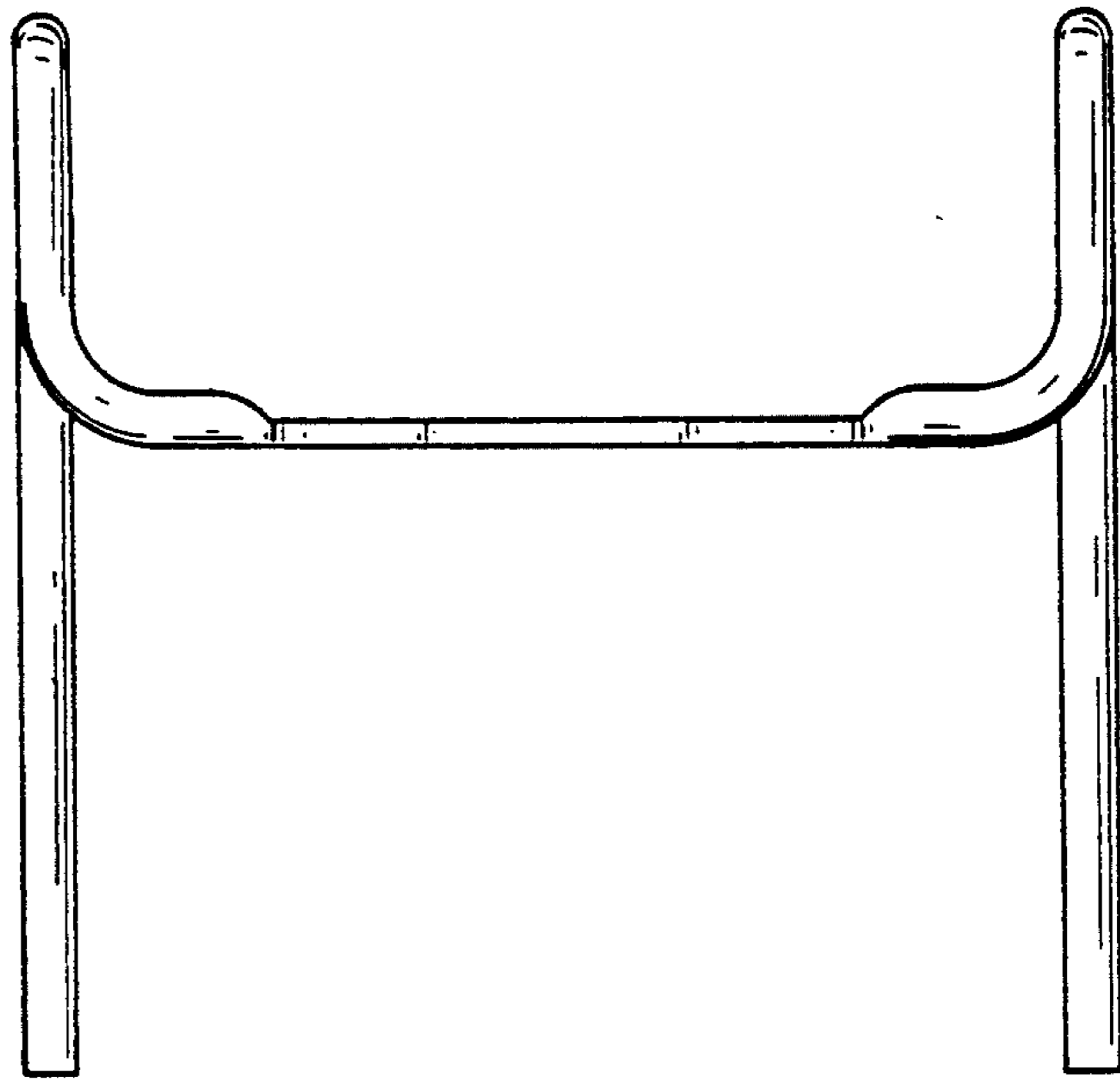


FIG. 5

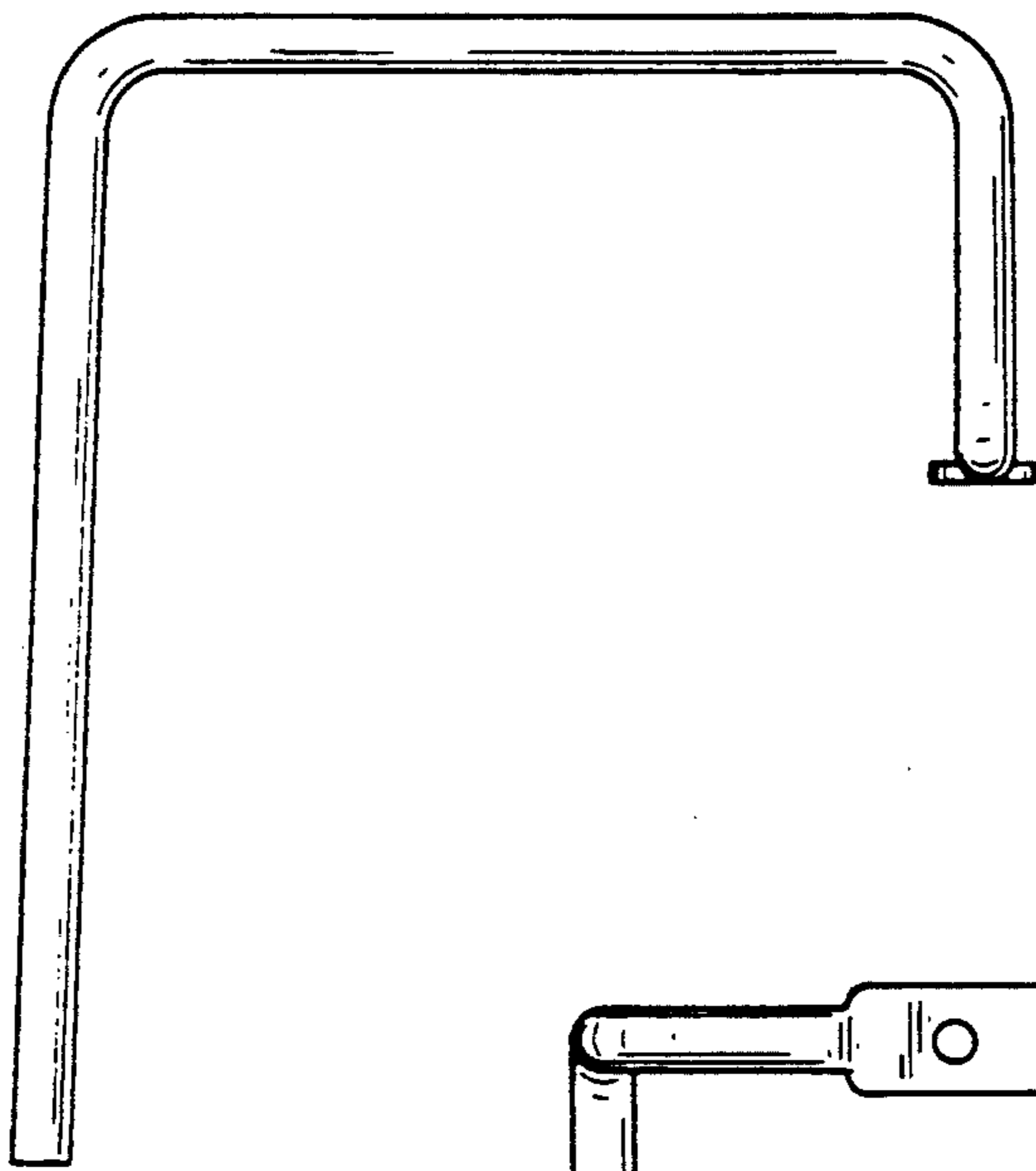


FIG. 6

FIG. 7

