



US00D346647S

United States Patent [19]

Arnette et al.

[11] Patent Number: **Des. 346,647**

[45] Date of Patent: **** May 3, 1994**

[54] **PRESSURE WASHER SPRAY GUN**

[75] Inventors: **Henry K. Arnette, Fort Mill, S.C.;**
Jan J. Reiss, Matthews, N.C.;
Graylon D. Smith, Fort Mill, S.C.

[73] Assignee: **Textron Inc., Providence, R.I.**

[**] Term: **14 Years**

[21] Appl. No.: **581**

[22] Filed: **Oct. 16, 1992**

[52] U.S. Cl. **D23/225**

[58] Field of Search 239/301, 332, 373, 394,
239/414-415, 525-528, 532, 554, 556, DIG. 14;
D23/213, 223-227

[56] **References Cited**

U.S. PATENT DOCUMENTS

D. 291,113	7/1987	Bauer	D23/17
D. 314,649	2/1991	Campbell et al.	D23/223
1,976,799	10/1934	Nelson	239/373
3,128,949	4/1964	Kaufman	239/312
3,447,753	6/1969	Proctor et al.	239/317
3,632,046	1/1972	Hengesbach	239/318
3,829,023	8/1974	Bouillard et al.	239/318
3,885,739	5/1975	Tuttle	239/124
3,904,116	9/1975	Jones et al.	239/127
3,997,114	12/1976	Hewett	239/127
4,568,011	2/1986	DeArmitt et al.	228/20
4,651,929	3/1987	Kranzle	239/288

4,784,330	11/1988	Hammelman	239/526
4,810,169	3/1989	Kranzle	417/63
4,850,513	7/1989	Porter	222/1
4,925,105	5/1990	Lin	239/154
5,040,950	8/1991	Dalquist, III et al.	417/234
5,086,749	2/1992	Ekstrom	124/56
5,238,191	8/1993	Gaymon	239/526

OTHER PUBLICATIONS

Homelite Outdoor Power Equipment Catalog, 1989-1990, two pages.

Primary Examiner—Wallace R. Burke

Assistant Examiner—Robin V. Taylor

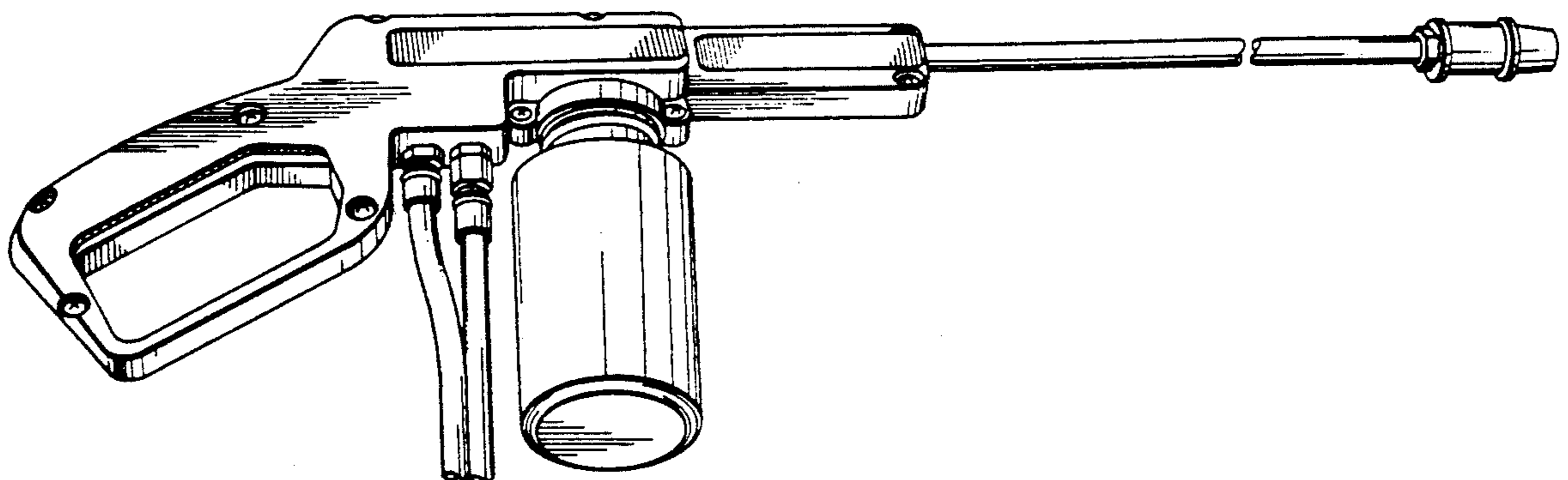
Attorney, Agent, or Firm—Perman & Green

[57] **CLAIM**

The ornamental design for a pressure washer spray gun, as shown and described.

DESCRIPTION

FIG. 1 is a bottom and right side perspective view of a pressure washer spray gun, showing our new design; FIG. 2 is a right side elevational view thereof; FIG. 3 is a top plan view thereof; FIG. 4 is a bottom plan view thereof; FIG. 5 is a front elevational view thereof; and, FIG. 6 is a rear elevational view thereof. The barrel is shown broken away in FIG. 1 for ease of illustration. The hoses are shown broken away in FIGS. 1, 2 and 4-6 to indicate indeterminate length.



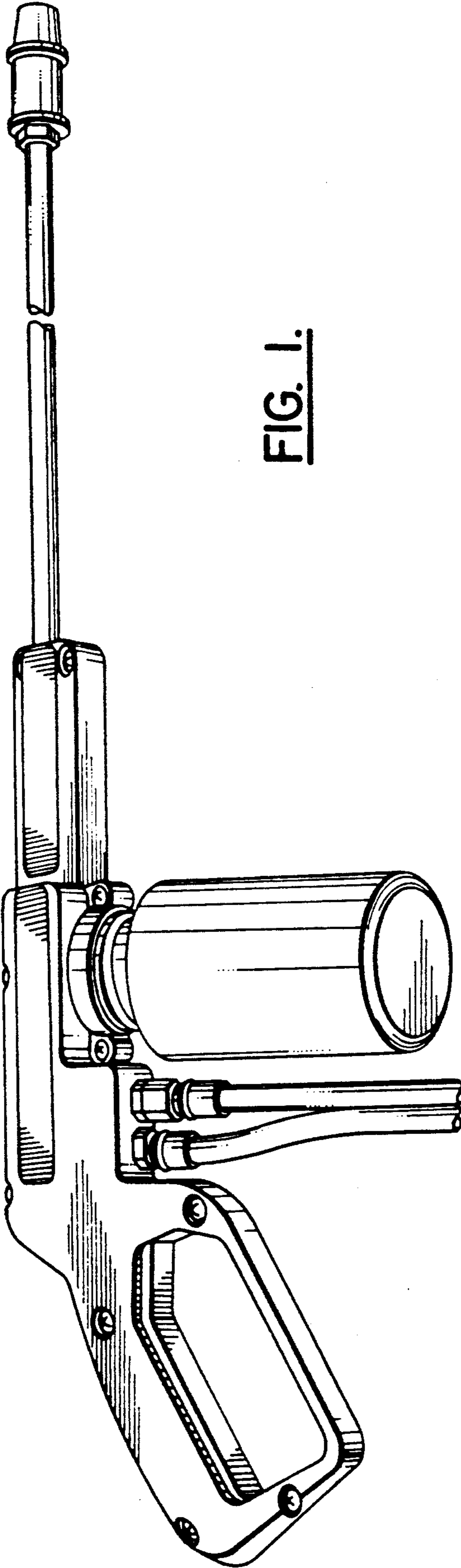


FIG. 1.

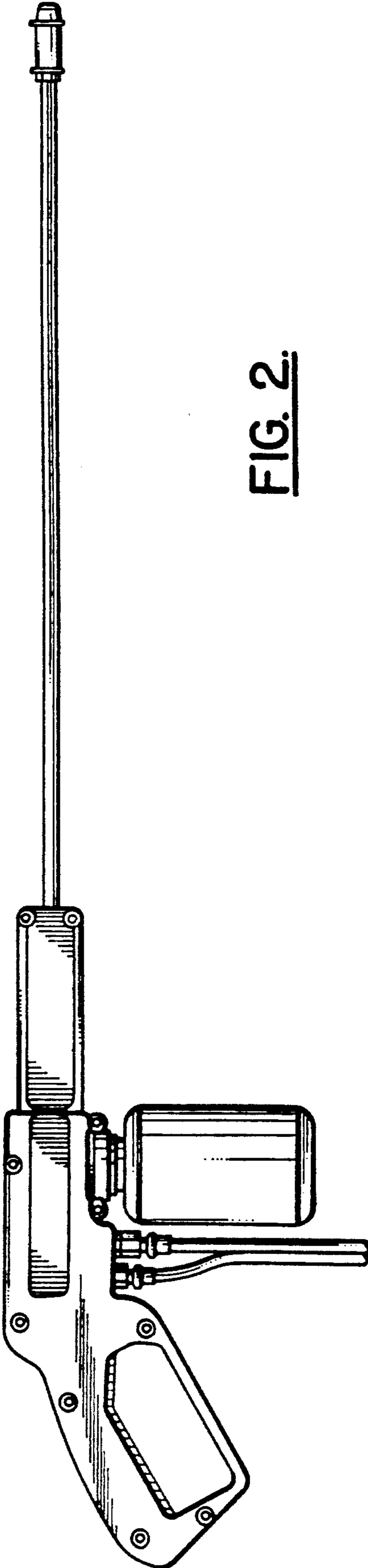


FIG. 2.

FIG. 3.

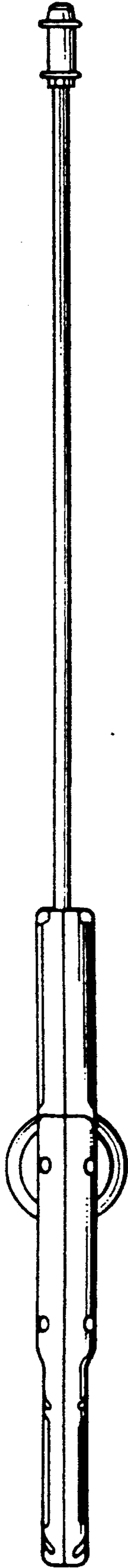


FIG. 4.

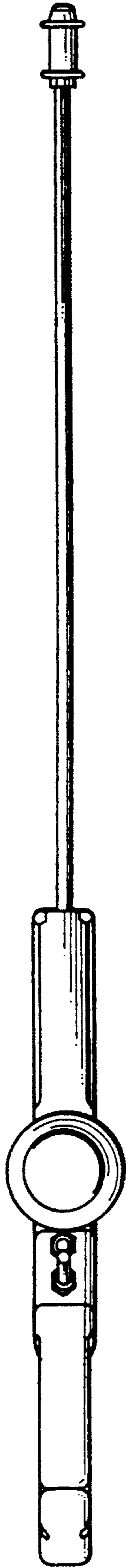


FIG. 6.

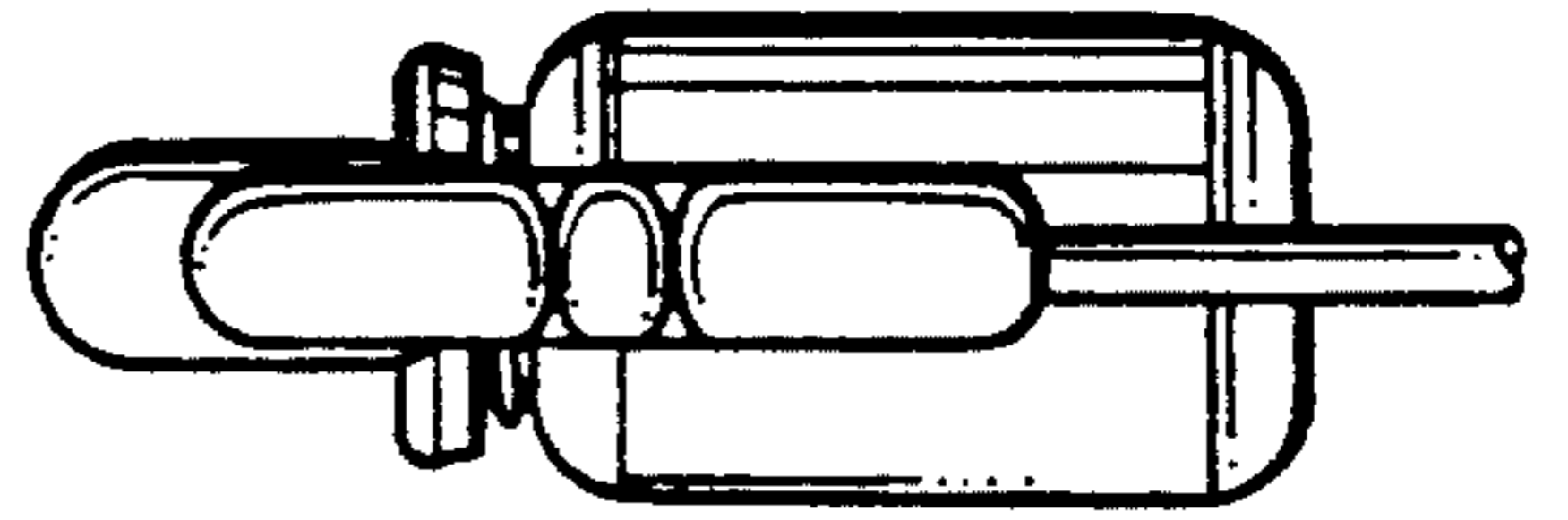


FIG. 5.

