



US00D346645S

United States Patent [19]

[11] Patent Number: **Des. 346,645**

Hill et al.

[45] Date of Patent: **** May 3, 1994**

[54] FAUCET SPOUT

[75] Inventors: **Loran R. Hill, Indianapolis; Anthony G. Spangler, Sheridan, both of Ind.**

[73] Assignee: **MASCO Corporation of Indiana, Indianapolis, Ind.**

[**] Term: **14 Years**

[21] Appl. No.: **692,022**

[22] Filed: **Apr. 26, 1991**

[52] U.S. Cl. **D23/255**

[58] Field of Search **4/676, 677, 678; 137/375, 801; D23/238-243, 255-257**

[56] **References Cited**

U.S. PATENT DOCUMENTS

D. 191,295	9/1961	Chapman	D23/238
D. 202,095	8/1965	Kelly	D23/255
D. 278,270	4/1985	Niemann	D23/255
D. 279,598	7/1985	Rademacher	D23/255
D. 295,663	5/1988	Kohler, Jr. et al.	D23/255
2,781,786	2/1957	Young	137/375 X
3,590,876	7/1971	Young	137/801

3,796,380	3/1974	Johnson et al.	4/678 X
4,387,738	6/1983	Bisonaya	4/678 X
4,884,596	12/1989	Byers et al.	4/678 X
5,165,121	11/1992	MeTargett et al.	4/678

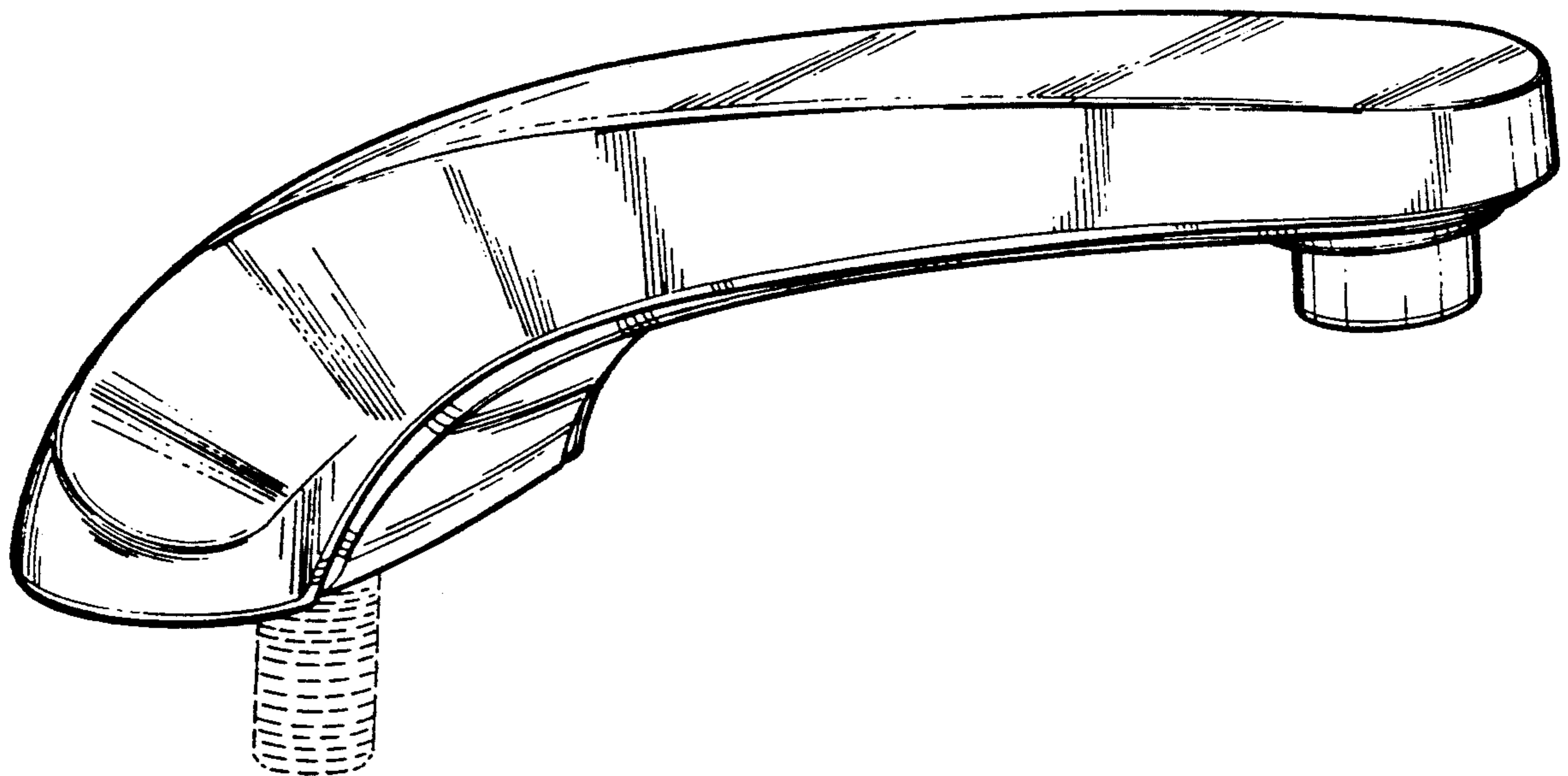
Primary Examiner—James R. Largen
Attorney, Agent, or Firm—Myron B. Kapustij; Malcolm L. Sutherland

[57] CLAIM

The ornamental design for a faucet spout, as shown and described.

DESCRIPTION

FIG. 1 is a top perspective view of a faucet spout showing our new design;
FIG. 2 is a left side elevational view thereof;
FIG. 3 is a top plan view thereof;
FIG. 4 is a right side elevational view thereof;
FIG. 5 is a front elevational view thereof;
FIG. 6 is a bottom plan view thereof; and,
FIG. 7 is a rear elevational view thereof.
The broken line showing of a threaded mounting shank in FIGS. 1, 2 and 4 through 7 and of screw heads in FIG. 6 are for purposes of illustration only and form no part of the claimed design.



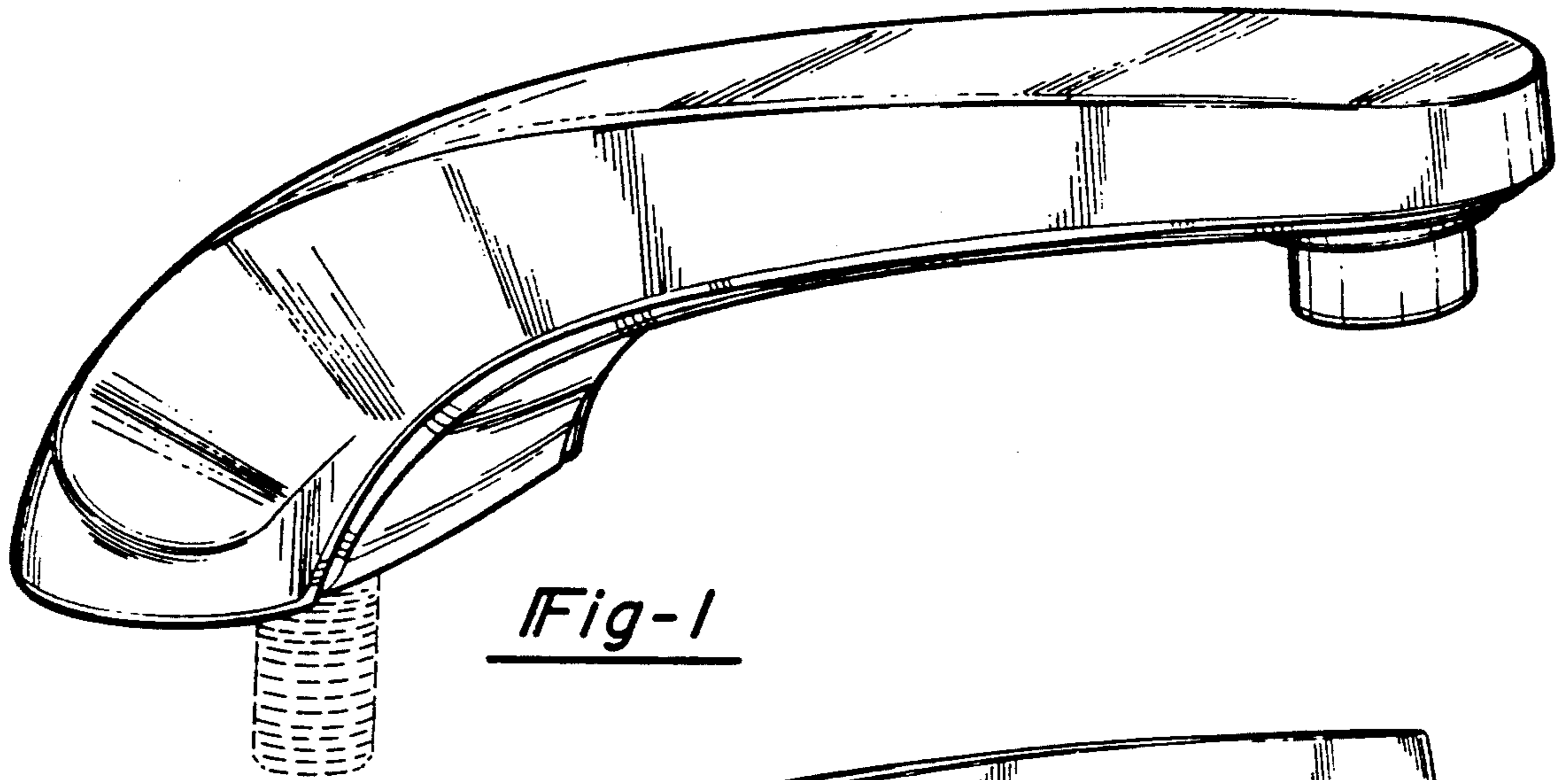


Fig-1

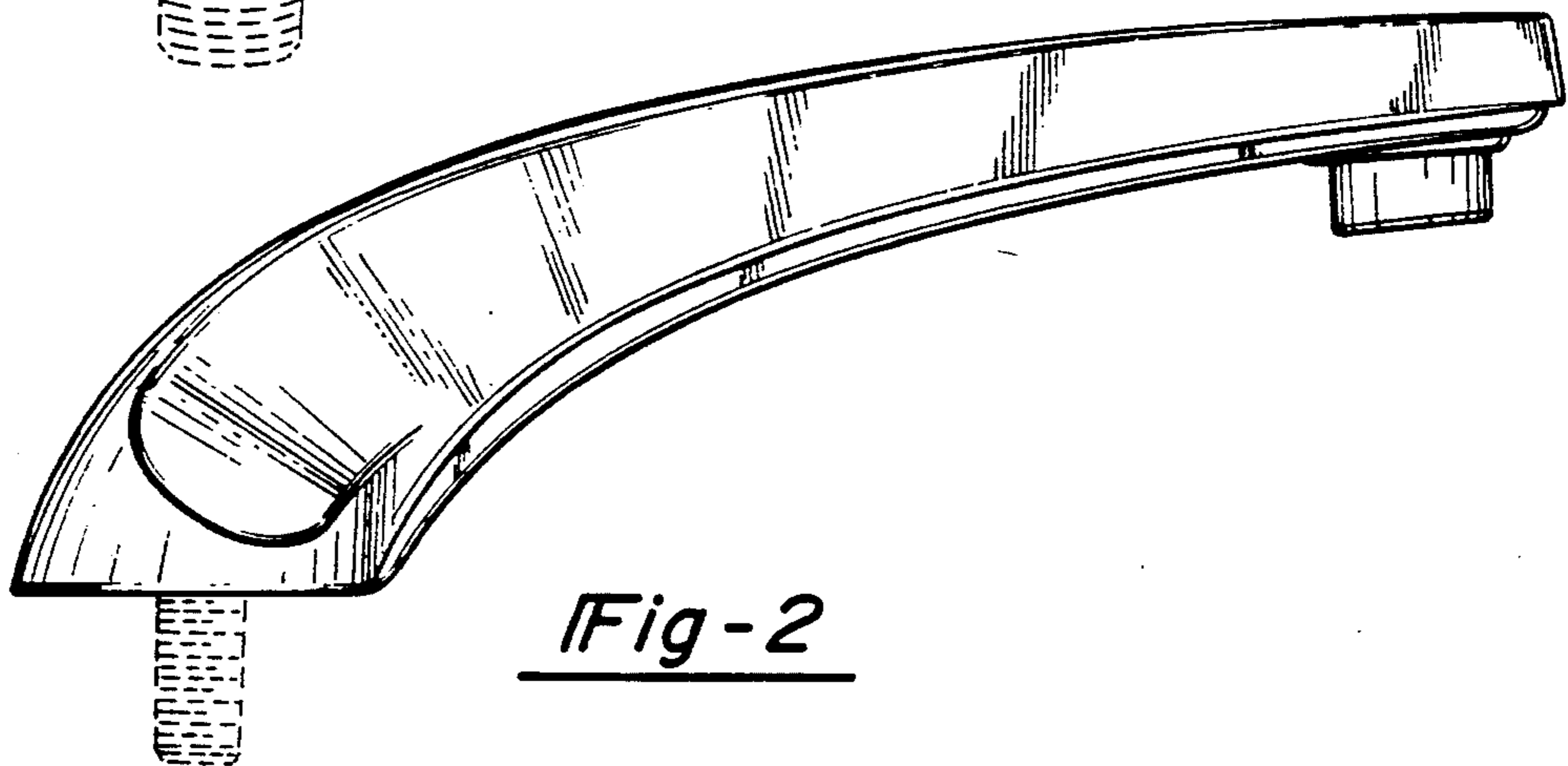


Fig-2

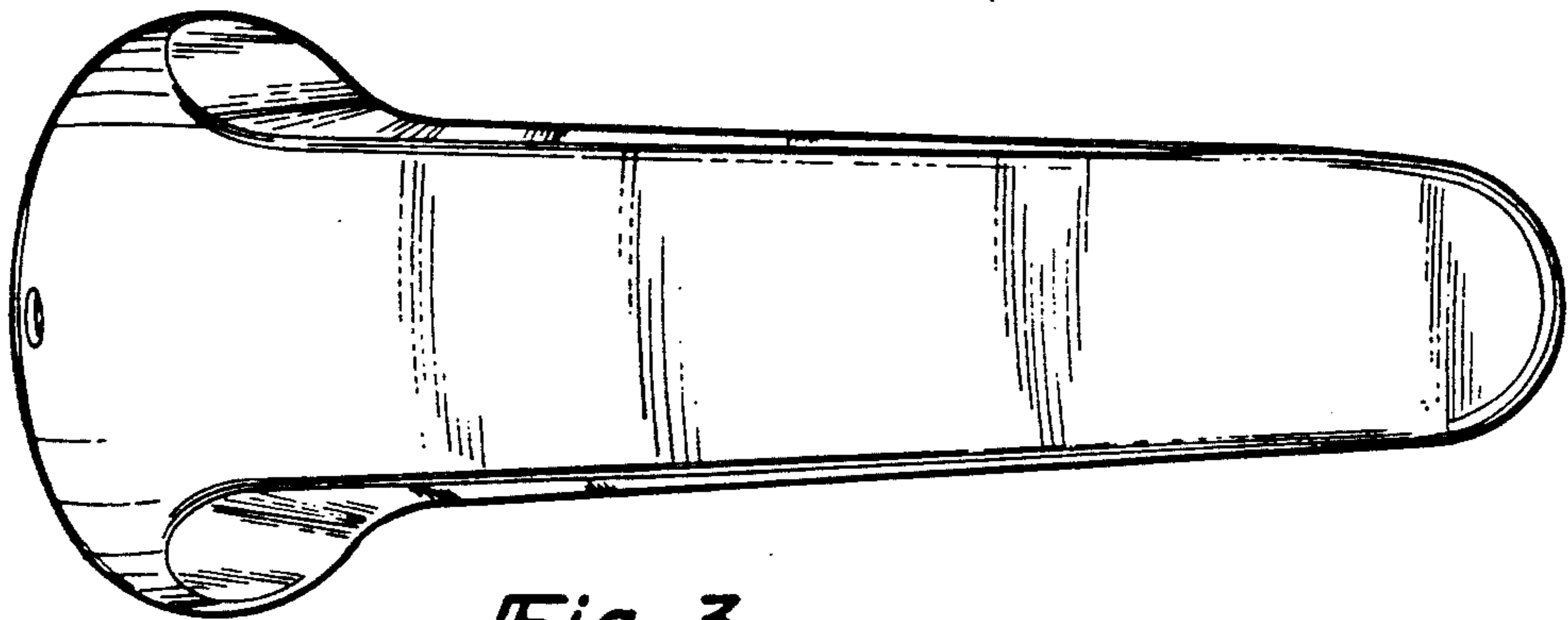


Fig-3

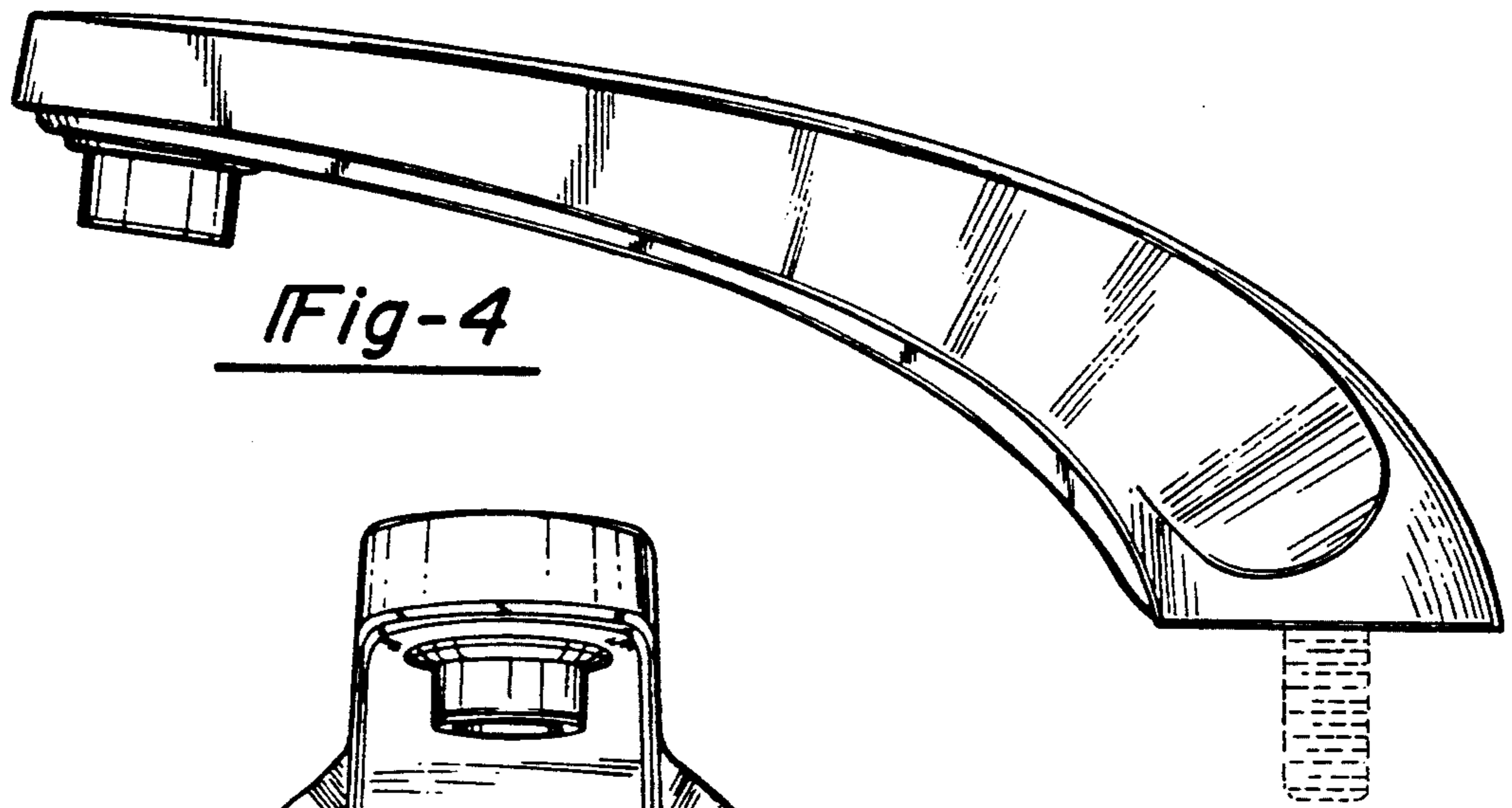


Fig-4

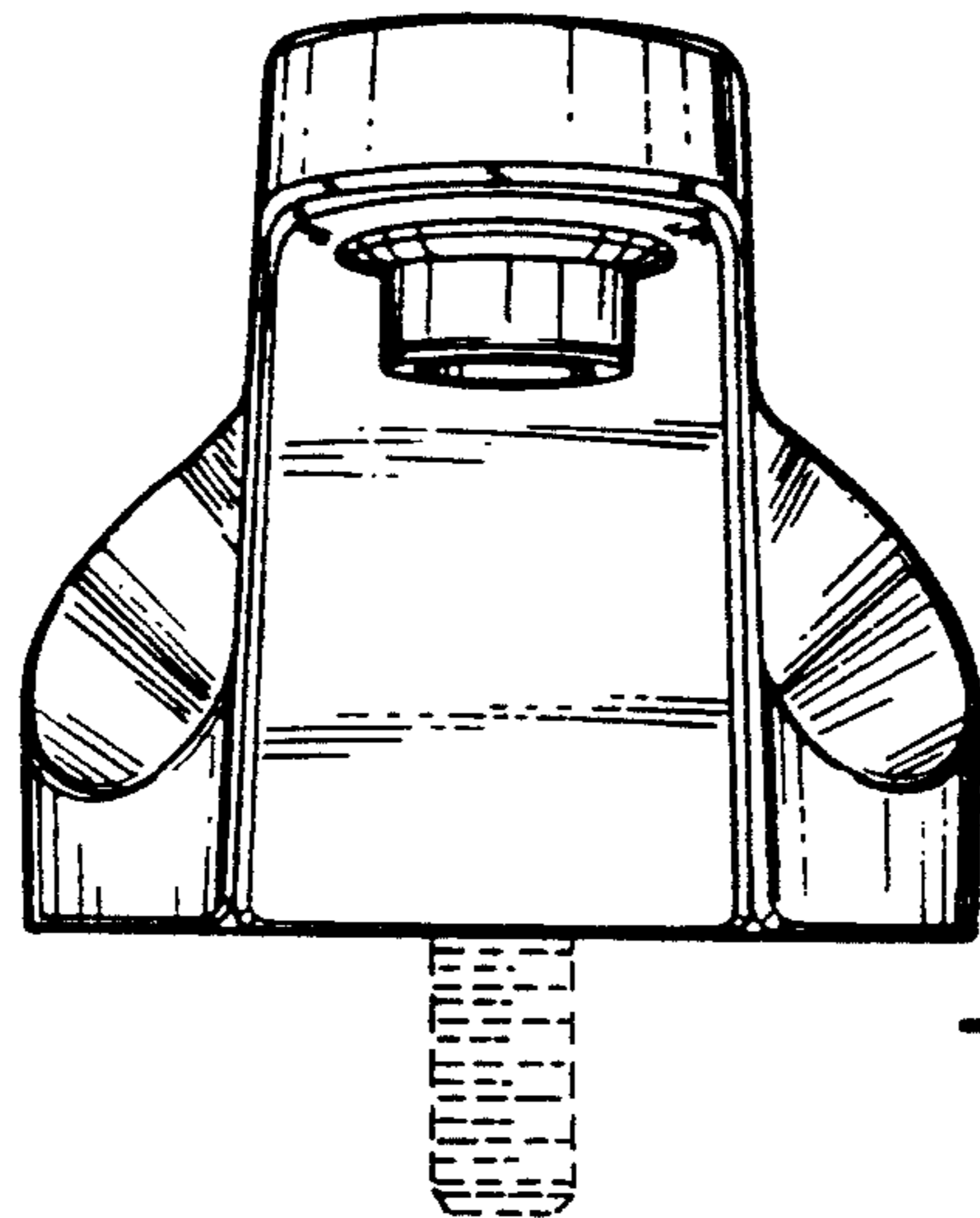


Fig-5

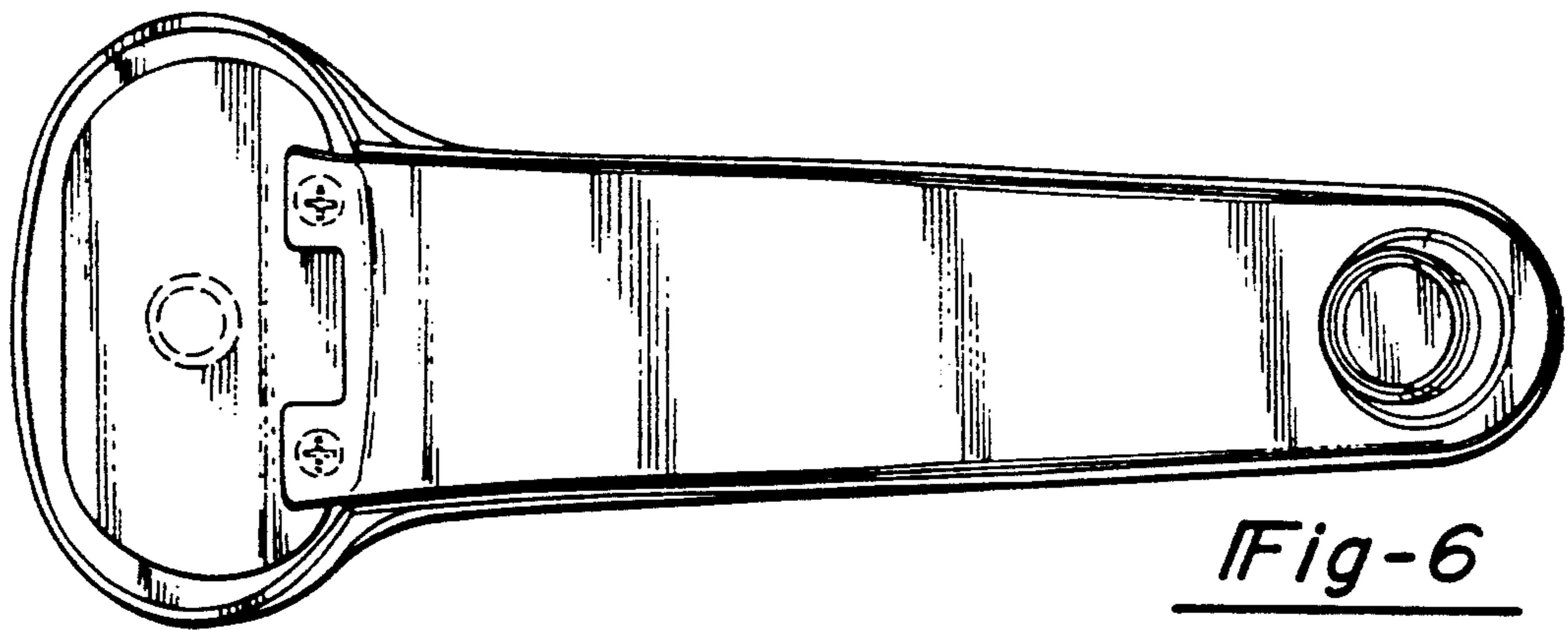


Fig-6

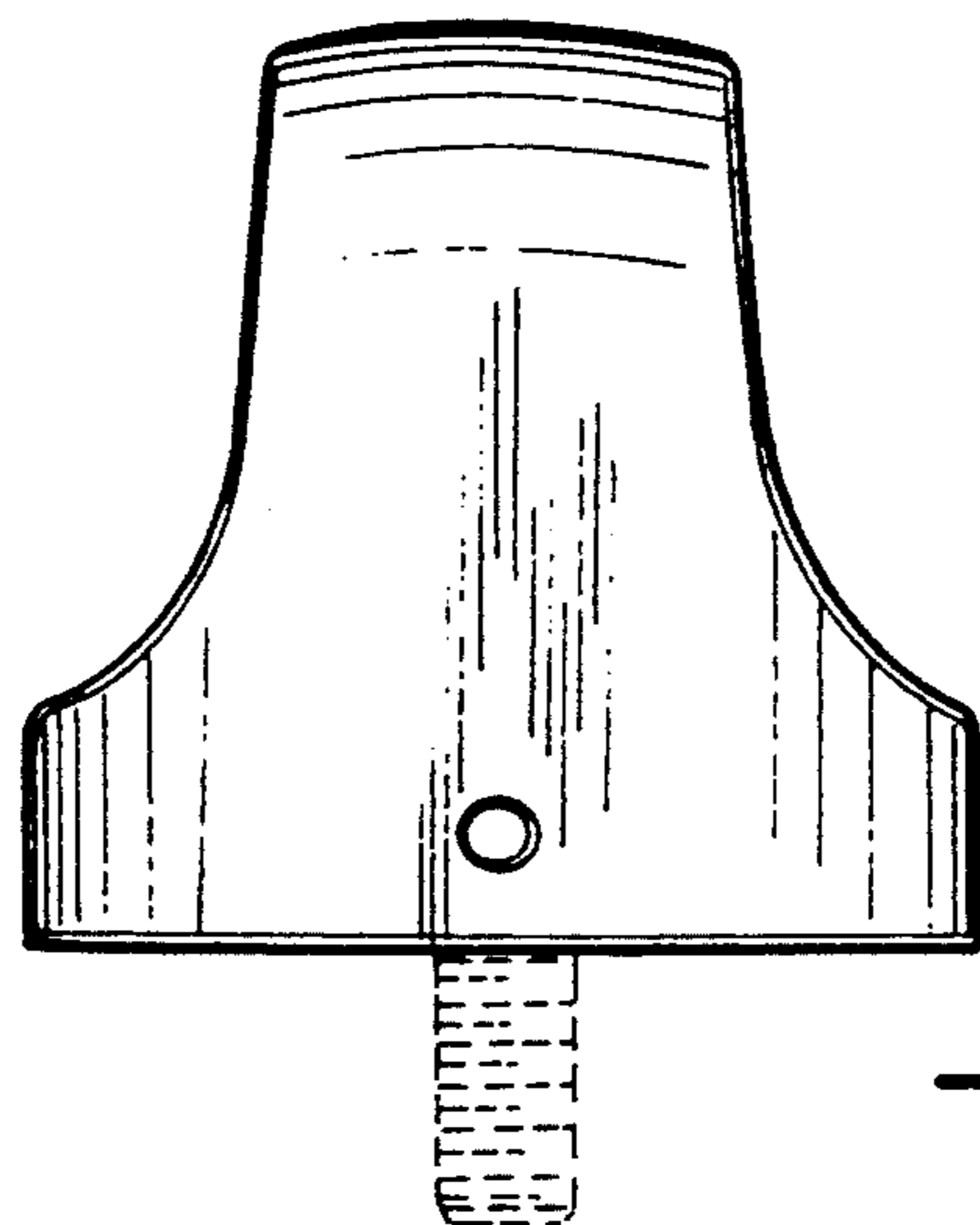


Fig-7

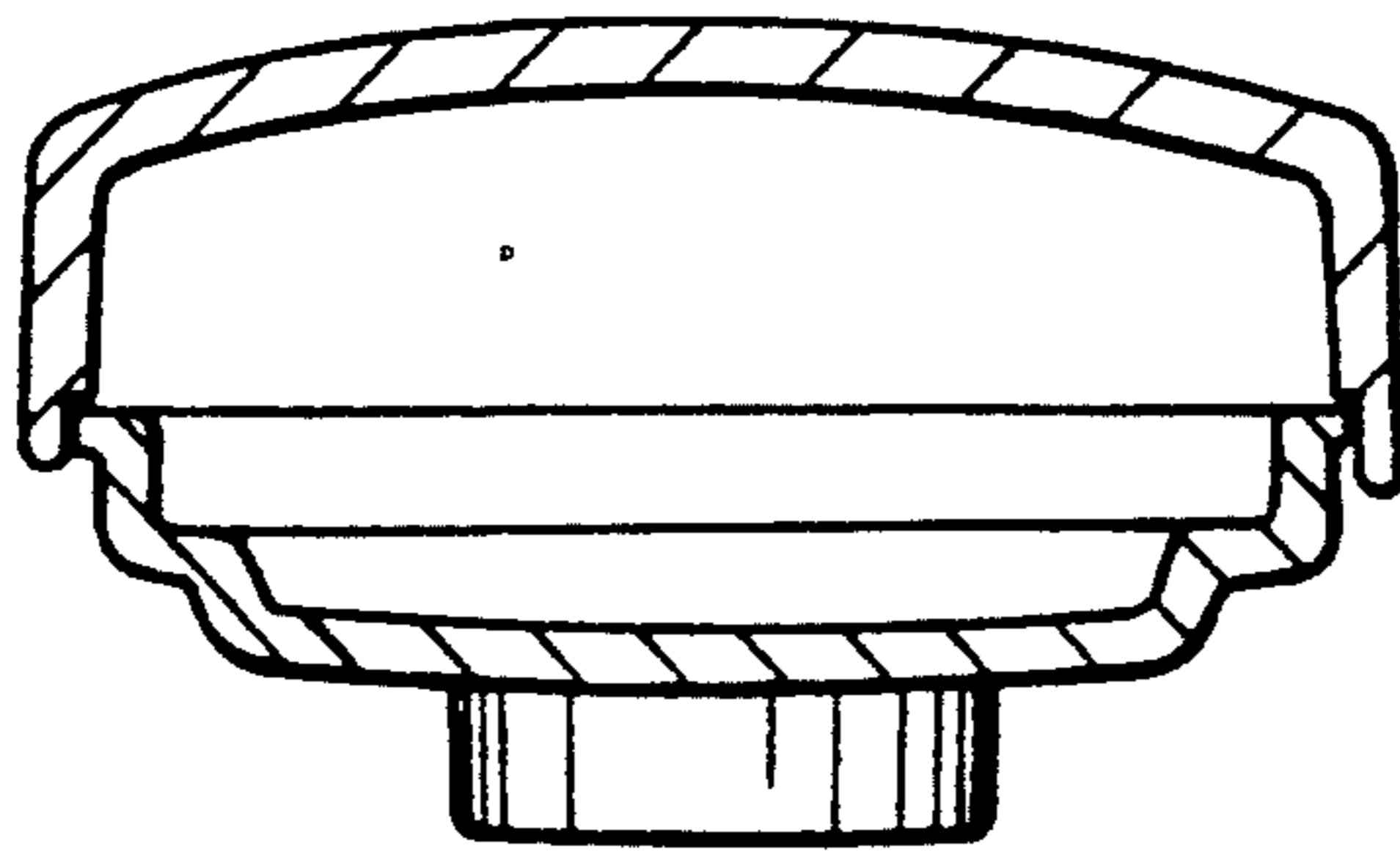


Fig-8

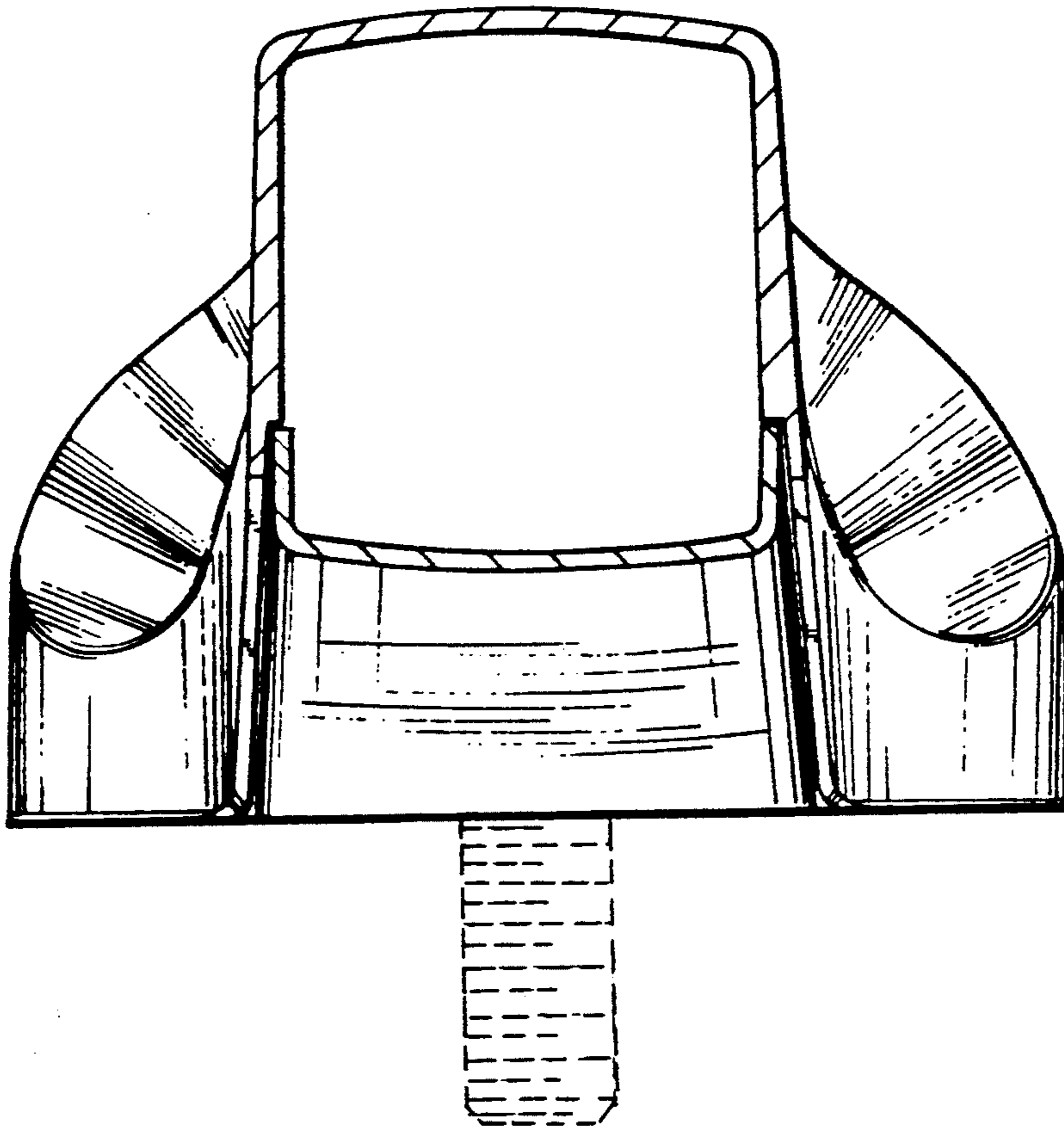


Fig-9