



US00D346643S

United States Patent [19]

[11] Patent Number: **Des. 346,643**

Gregory

[45] Date of Patent: **** May 3, 1994**

[54] VALVE FOR WATER CLOSETS

3,086,218 4/1963 Gross 4/404 XV

[76] Inventor: **John S. Gregory, 4421 Shearwater Way, Oceanside, Calif. 92057**

OTHER PUBLICATIONS

Disclosure Document No. 264,690.
Disclosure Document No. 271,896.

[**] Term: **14 Years**

Primary Examiner—James R. Largen
Attorney, Agent, or Firm—S. Michael Bender

[21] Appl. No.: **745,104**

[22] Filed: **Aug. 14, 1991**

[57] CLAIM

[52] U.S. Cl. **D23/236**

[58] Field of Search 4/324, 325, 378, 393,
4/403, 404; D23/236, 258

The ornamental design for a valve for water closets, as shown and described.

[56] References Cited

DESCRIPTION

U.S. PATENT DOCUMENTS

D. 108,705	3/1938	Rosenthal	D23/258
D. 110,337	7/1938	Becker	D23/258
D. 199,223	9/1964	Rennels	D23/258
D. 214,499	6/1969	Ross, Jr.	D23/258
D. 294,285	2/1988	Miskiewicz	D23/236
895,742	8/1908	Freshour	D23/236 X
1,775,934	9/1930	Delany	4/395
1,851,268	3/1932	Woolley	4/403
2,174,706	10/1939	Pardieck	4/404
2,526,294	10/1950	Stegeman	4/325

FIG. 1 is a front elevational view of the valve for water closets showing my new design;
FIG. 2 is a rear elevational view thereof;
FIG. 3 is a left side elevational view thereof;
FIG. 4 is a right side elevational view thereof;
FIG. 5 is a top plan view thereof;
FIG. 6 is a bottom plan view thereof; and,
FIG. 7 is a perspective view thereof.

The fragmentary broken line representation of a water closet tank in FIG. 7 is for purposes of illustration only and forms no part of the claimed invention.

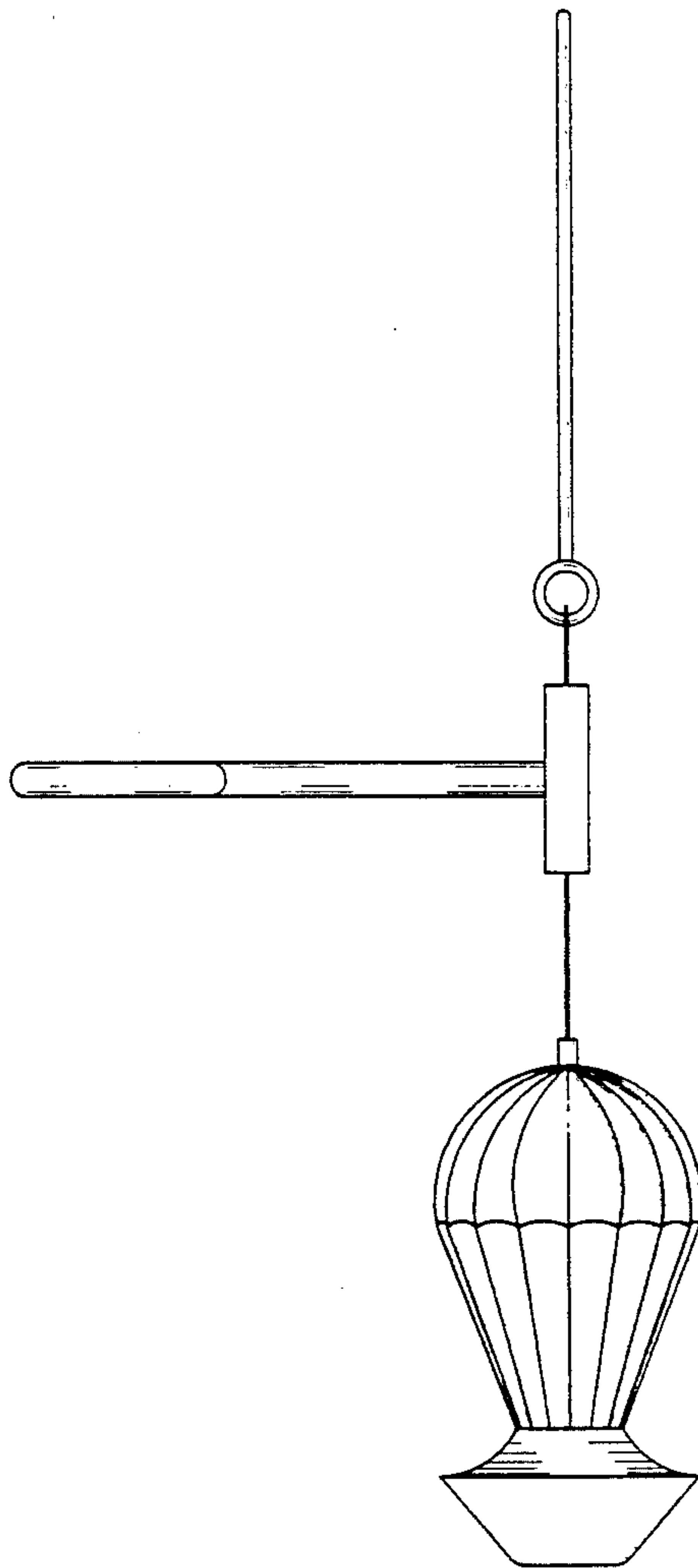


FIG. 1

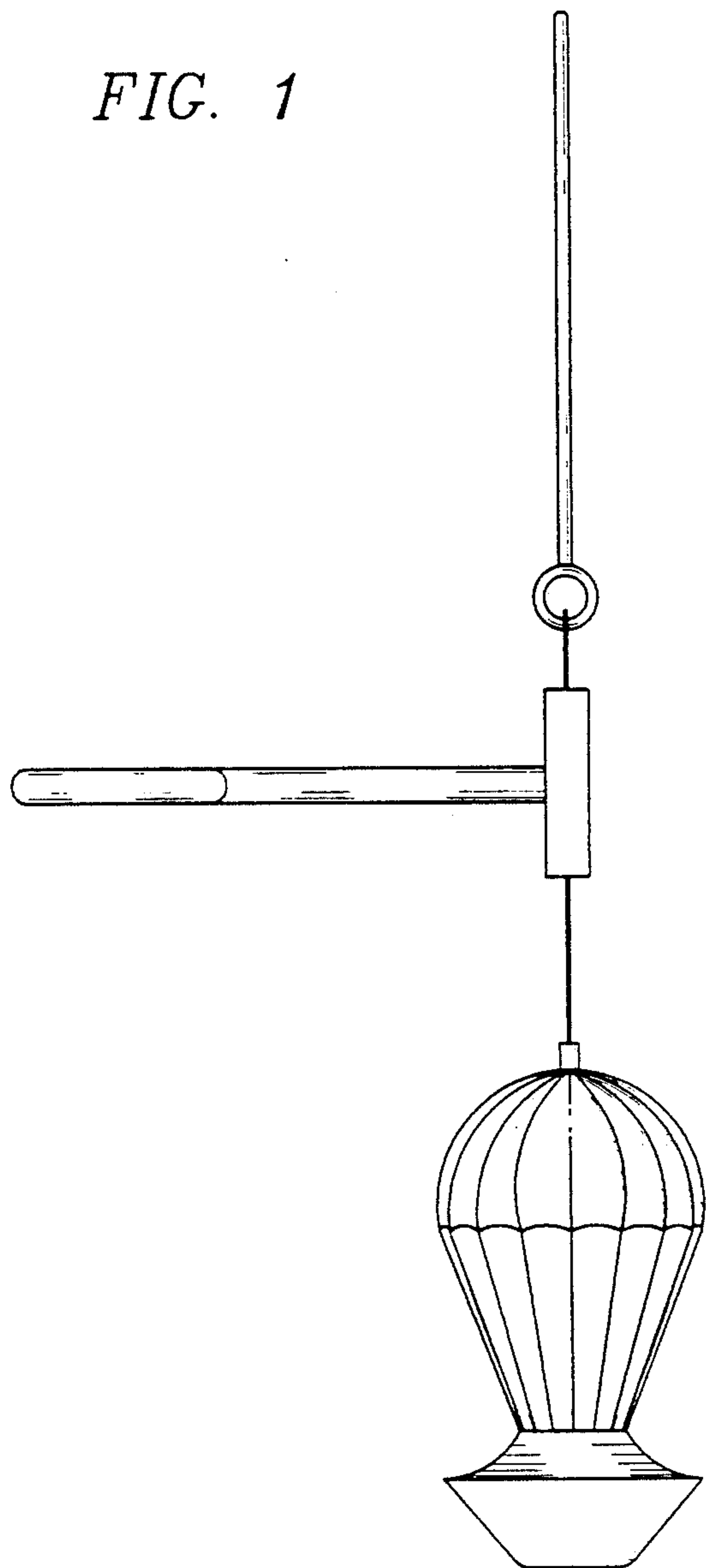


FIG. 2

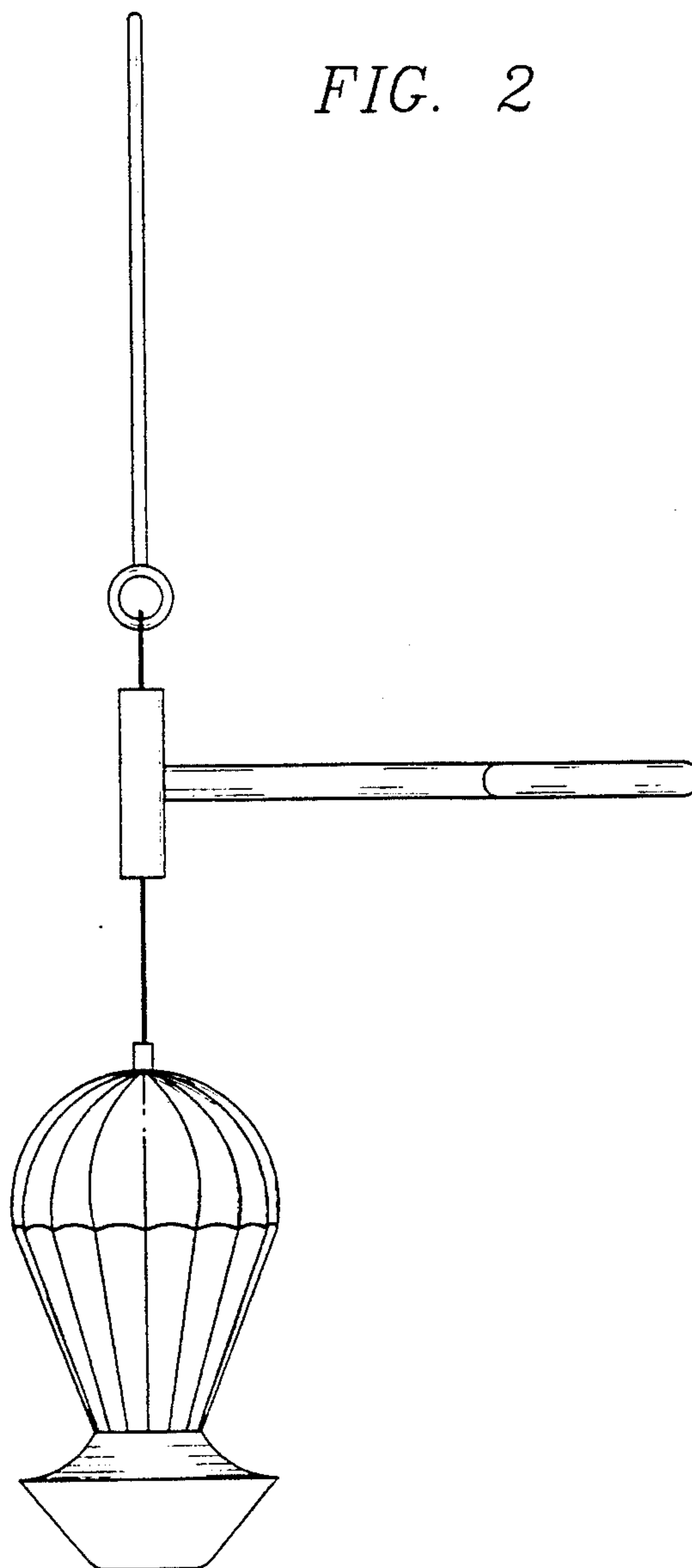


FIG. 3

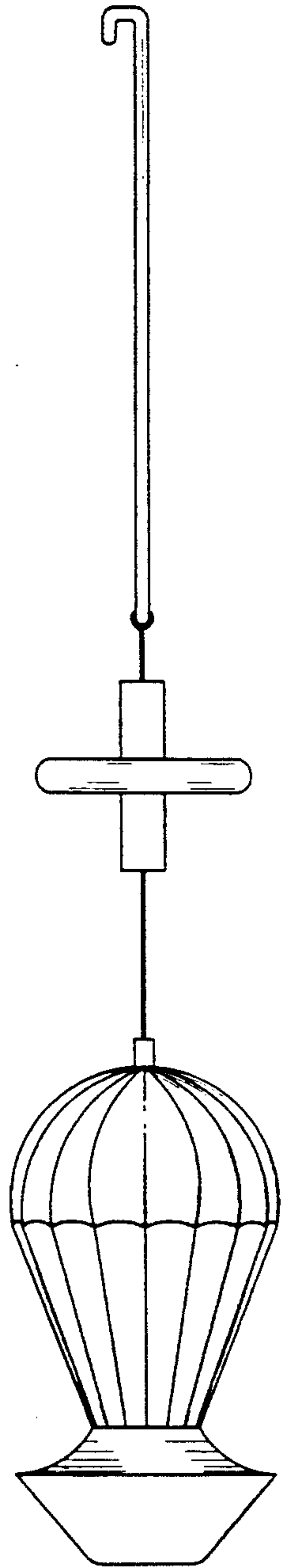


FIG. 4

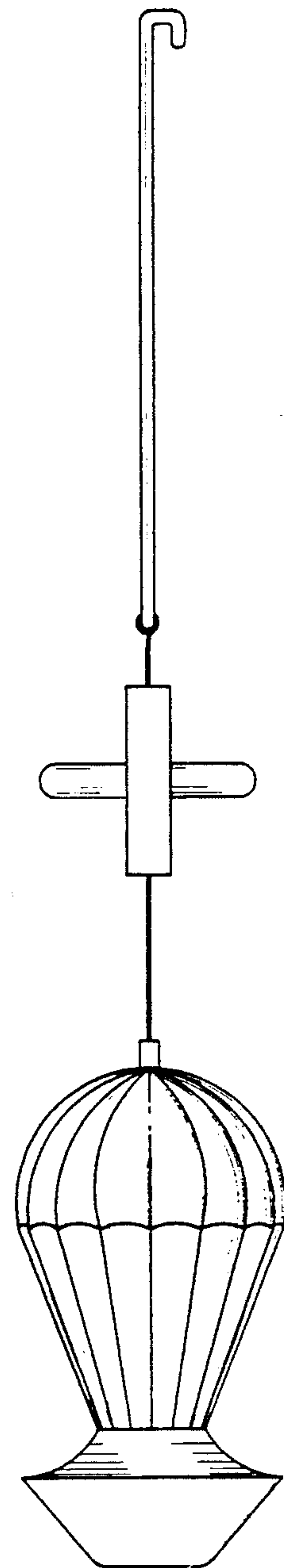


FIG. 5

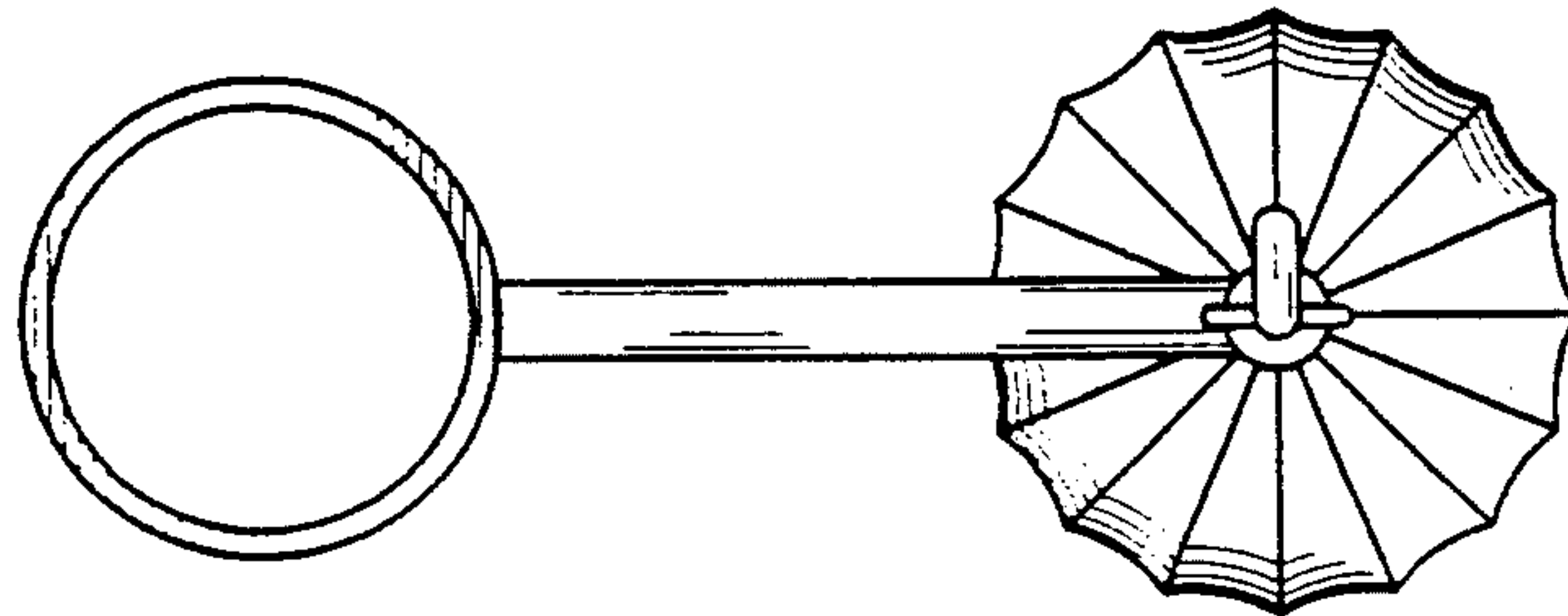


FIG. 6

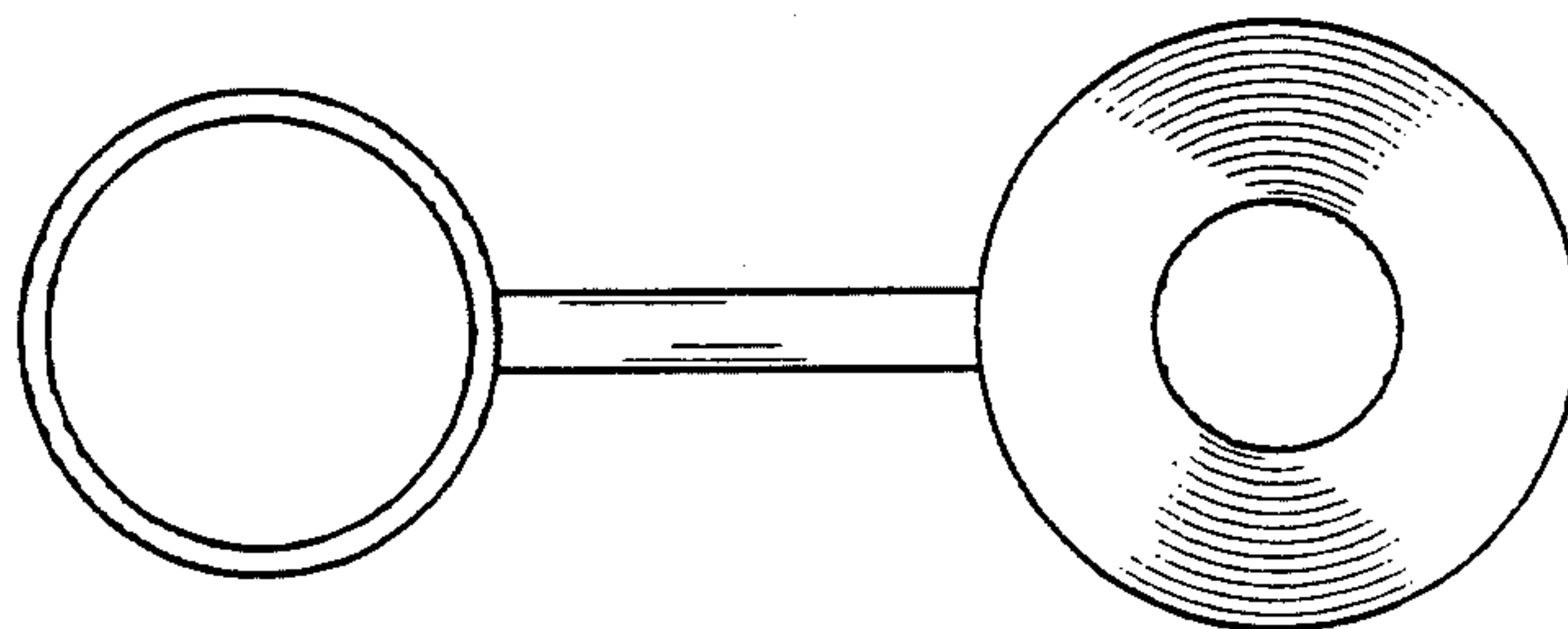


FIG. 7

