



US00D346642S

United States Patent [19]

Ali et al.

[11] Patent Number: Des. 346,642

[45] Date of Patent: ** May 3, 1994

[54] TOILET FLUSH SIZE SELECTION UNIT

[76] Inventors: Dominick A. Ali, 1279 E. 4th St., Brooklyn, N.Y. 11230; Gerald J. Apicello, 489 High St., Monroe, N.Y. 10950

[**] Term: 14 Years

[21] Appl. No.: 667,061

[22] Filed: Mar. 8, 1991

[52] U.S. Cl. D23/236

[58] Field of Search 4/326, 327; D23/233-237, 244-250

[56] References Cited

U.S. PATENT DOCUMENTS

D. 203,378	12/1965	Harolf	D23/236
D. 325,957	5/1992	Van Da Veire	D23/236
2,668,960	2/1954	Barrett-Lennard	D23/236 X
2,676,330	4/1954	Sheahe	D23/236 X
2,709,263	5/1955	Doty	4/327 X
2,760,206	8/1956	Loyd	4/327
3,005,206	10/1961	Dallinger	4/327
3,049,721	8/1962	Taylor	4/327
3,812,545	5/1974	Lanaham .	
3,858,250	1/1975	Coglitore .	
3,906,554	9/1975	Johnson	4/327
3,908,203	9/1975	Jackson .	
3,982,283	9/1976	Goldring .	

4,158,829 9/1978 Paulus 4/326 XV

FOREIGN PATENT DOCUMENTS

1305801 8/1962 France .
2442306 11/1978 France .

OTHER PUBLICATIONS

Disclosure Document No. 267246, dated Nov. 14, 1990.

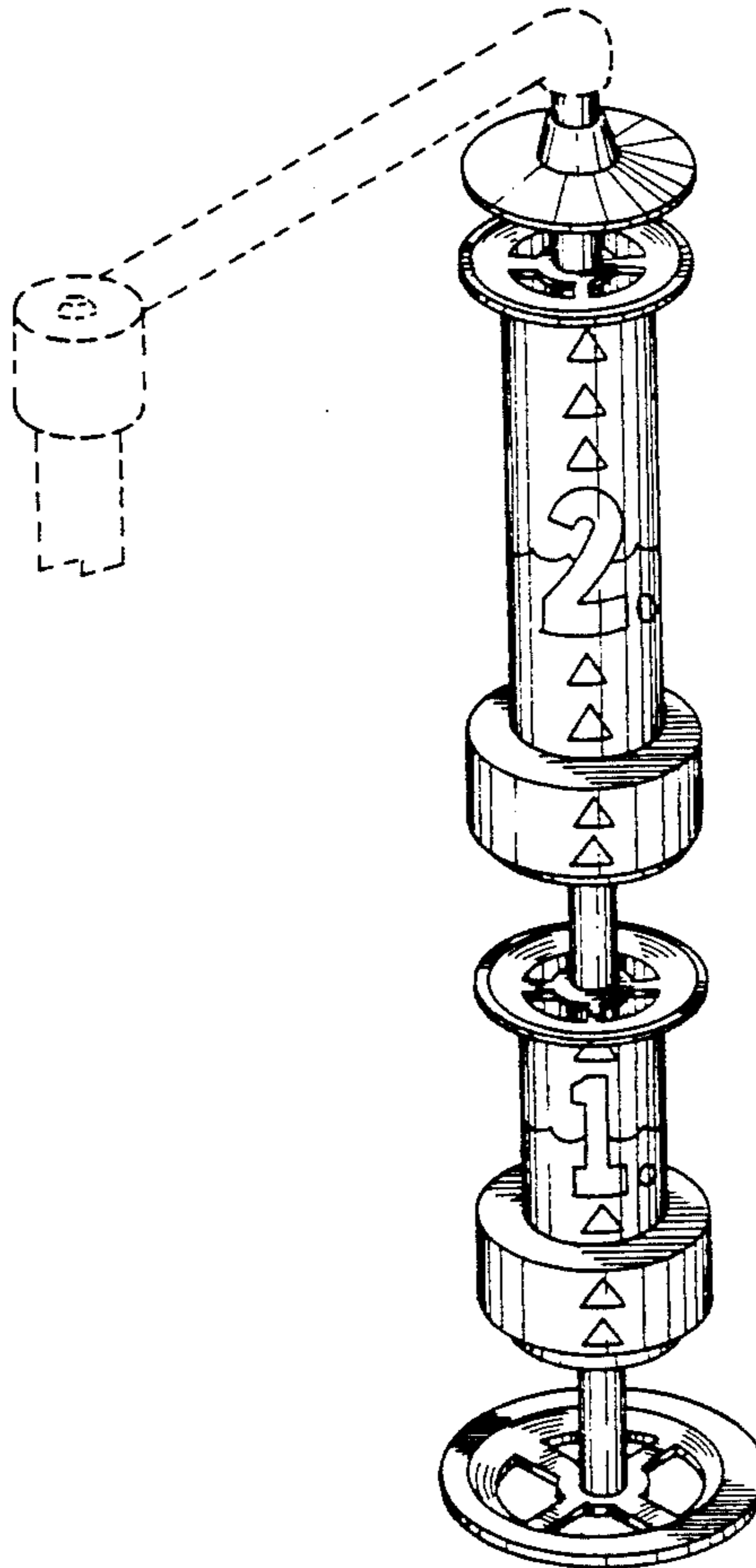
Primary Examiner—James R. Largen
Attorney, Agent, or Firm—Terry M. Gernstein

[57] CLAIM

The ornamental design for a toilet flush size selection unit, as shown and described.

DESCRIPTION

FIG. 1 is a perspective view of a toilet flush size selection unit showing our new design; FIG. 2 is a front elevational view thereof, the rear being a mirror image of the front; FIG. 3 is a side elevational view thereof, the side opposite being a mirror image of the side shown; FIG. 4 is a top plan view thereof; and, FIG. 5 is a bottom view thereof. The fragmentary broken line representation of a water supply tube in FIGS. 1 through 5 is for purposes of illustration only and forms no part of the claimed design.



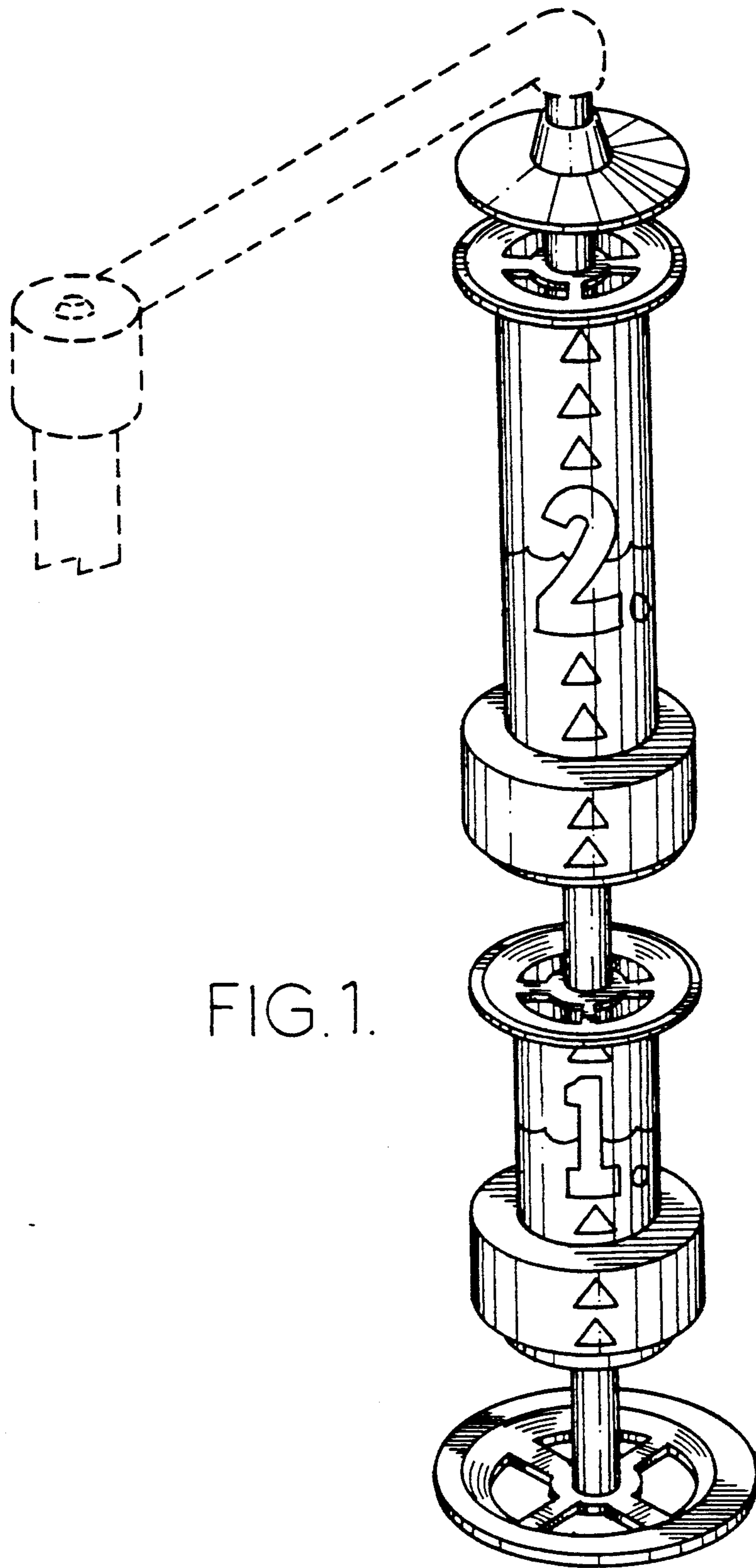


FIG. 1.

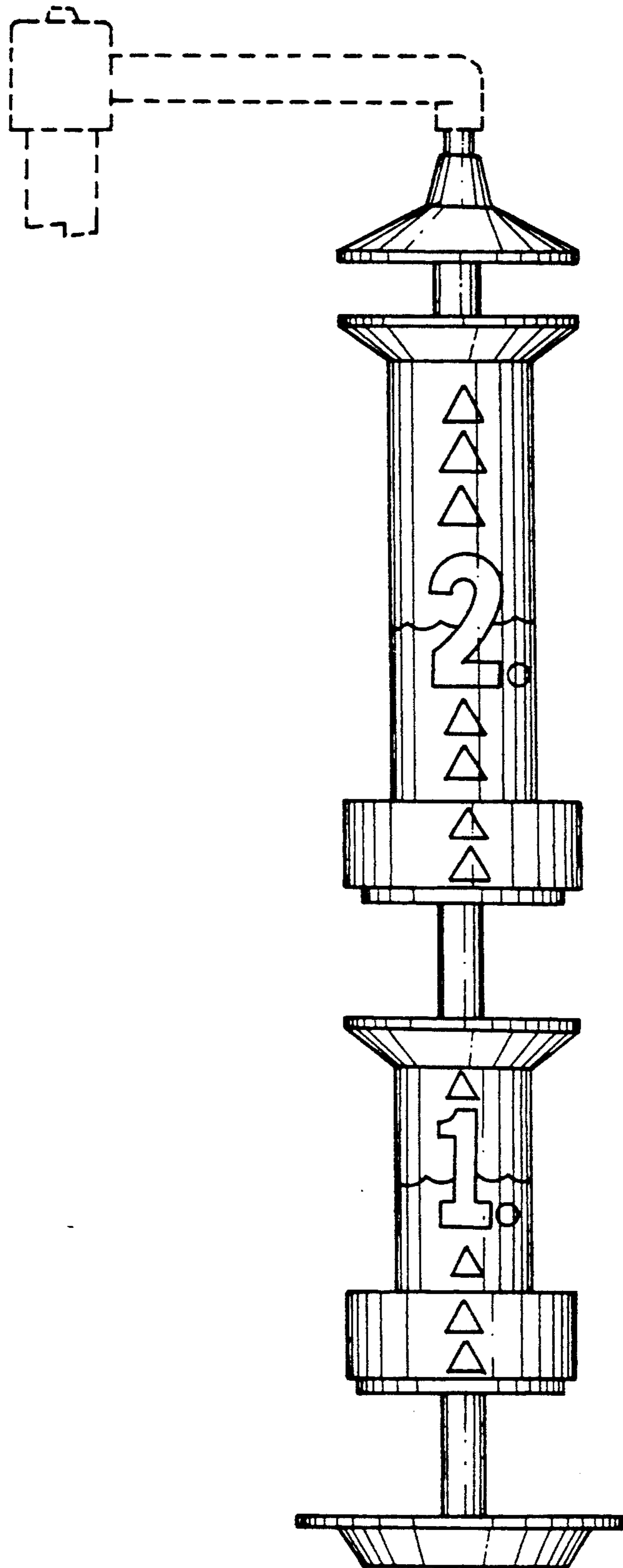


FIG. 2.

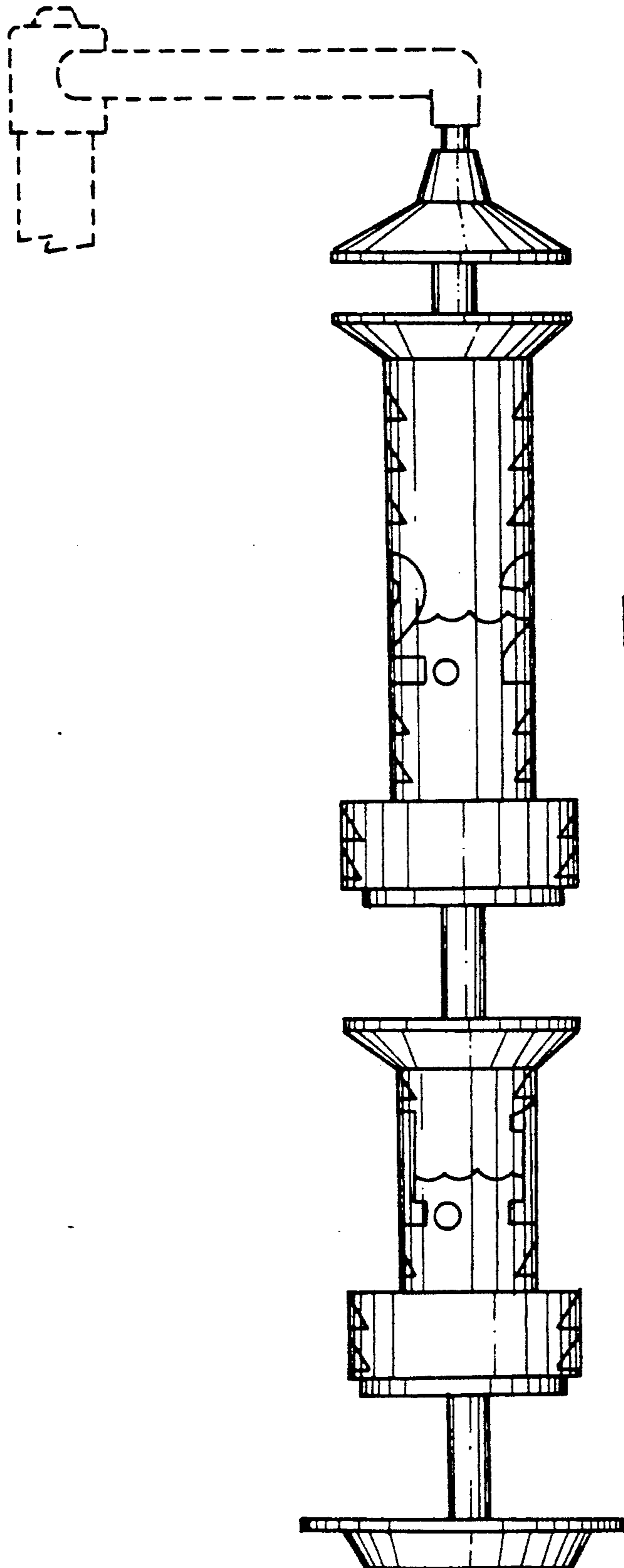


FIG. 3.

