



US00D346641S

United States Patent [19]

Scheurer

[11] Patent Number: **Des. 346,641**

[45] Date of Patent: **** May 3, 1994**

[54] AIR VALVE

[76] Inventor: **Robert S. Scheurer**, 1627 Midwestern Pkwy., Wichita Falls, Tex. 76302

[**] Term: **14 Years**

[21] Appl. No.: **806**

[22] Filed: **Oct. 26, 1992**

[52] U.S. Cl. **D23/233**

[58] Field of Search 251/289, 298, 299, 15; 137/223, 846; D23/233-237, 244-249

4,004,614 1/1977 Mackal et al. 138/89.2
4,669,498 6/1987 Hansen 137/223
4,966,185 10/1990 Schram 137/223

Primary Examiner—Stella Reid
Assistant Examiner—Eric Watterson
Attorney, Agent, or Firm—Dennis T. Griggs

[57] CLAIM

The ornamental design for an air valve, as shown and described.

DESCRIPTION

FIG. 1 is a perspective view of an air valve showing my new design in the closed configuration;
FIG. 2 is a top plan view thereof;
FIG. 3 is a left side elevational view thereof;
FIG. 4 is a right side elevational view thereof;
FIG. 5 is a front elevational view thereof;
FIG. 6 is a rear elevational view thereof;
FIG. 7 is a bottom plan view thereof;
FIG. 8 is a perspective view of an air valve showing my new design in the valve open configuration;
FIG. 9 is a top plan view thereof;
FIG. 10 is a left side elevational view thereof;
FIG. 11 is a right side elevational view thereof;
FIG. 12 is a front elevational view thereof;
FIG. 13 is a rear elevational view thereof; and,
FIG. 14 is a perspective view thereof on a reduced scale as installed on an air mattress, the broken lines being shown for illustrative purposes only and forming no part of the claimed design.

[56] References Cited

U.S. PATENT DOCUMENTS

D. 278,079	3/1985	Widerby	D23/237
D. 290,640	6/1987	Andersson	D23/249
1,910,961	5/1933	Perry .	
1,992,764	1/1933	Perry	137/223 X
2,044,913	6/1936	Miller	273/65
2,349,463	5/1944	Riddell	137/846
2,488,456	11/1949	Walker et al.	251/43
2,604,297	7/1952	Winstead	251/122
2,701,579	2/1955	Hasselquist	137/223
2,710,622	6/1955	Chupa	137/223
2,772,692	12/1956	Russell	137/223
2,887,120	5/1959	See	137/223
2,942,614	6/1960	Lardner	137/223
2,997,973	4/1961	Chakine	137/223
3,083,943	7/1959	Stewart, Jr. et al.	D23/233 X
3,829,918	8/1974	Stamberger	5/348 R
3,995,653	12/1976	Mackal et al.	137/234

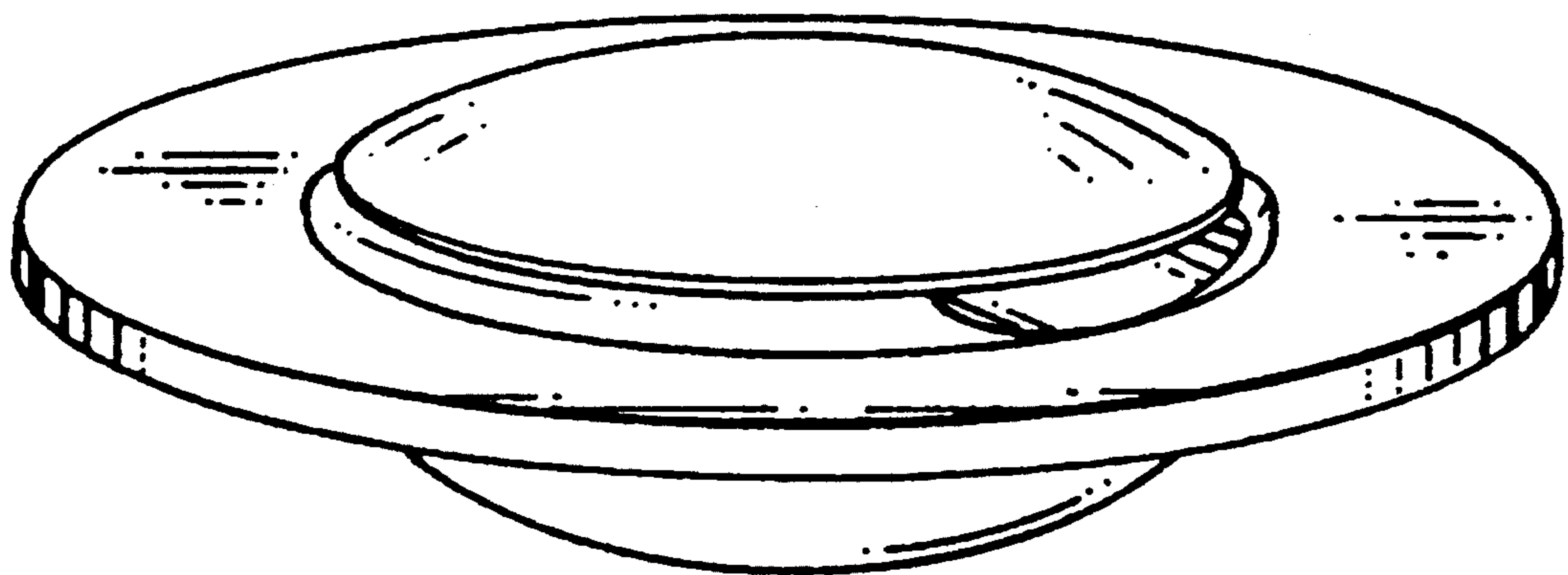




FIG. 1

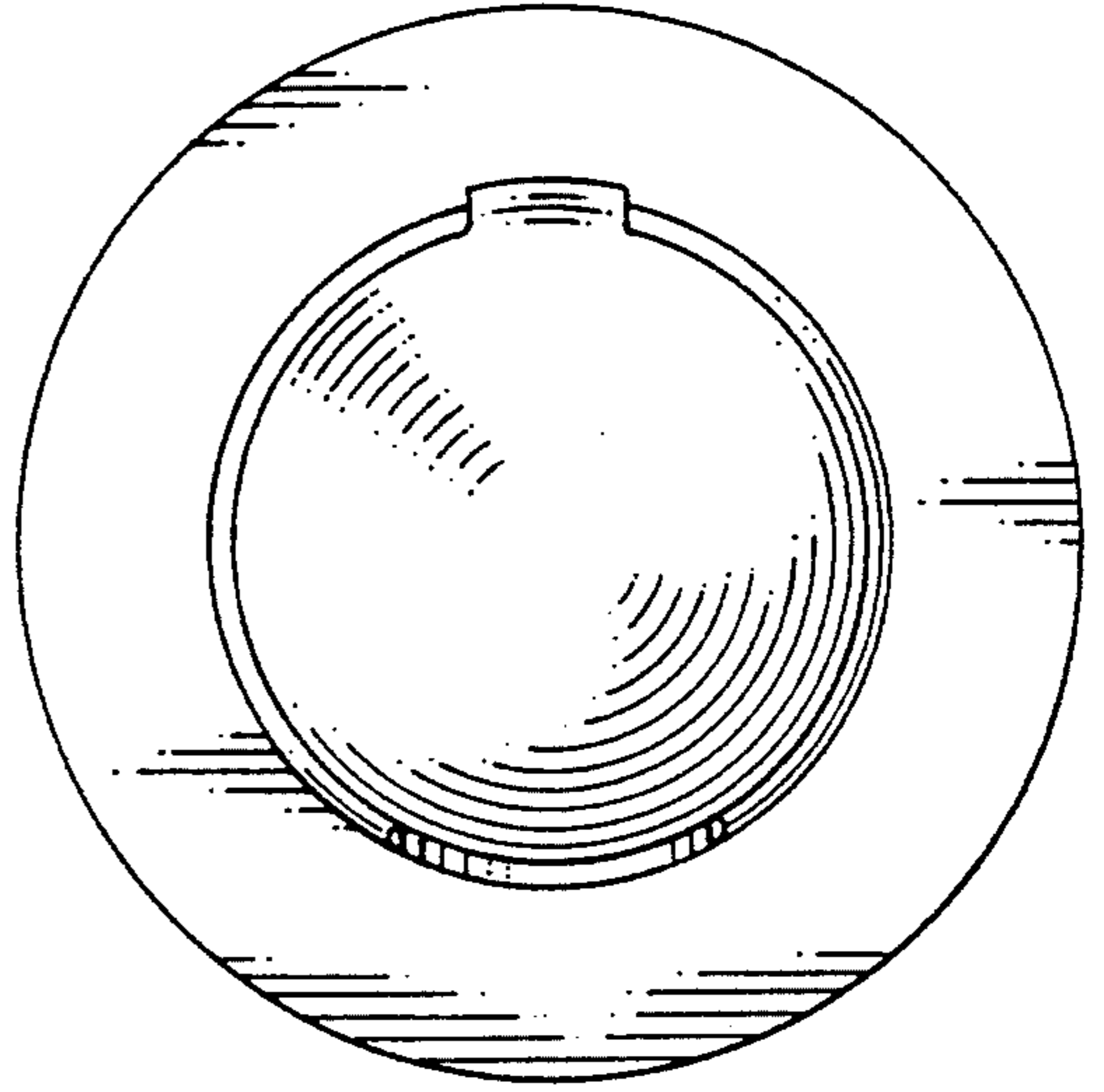


FIG. 2

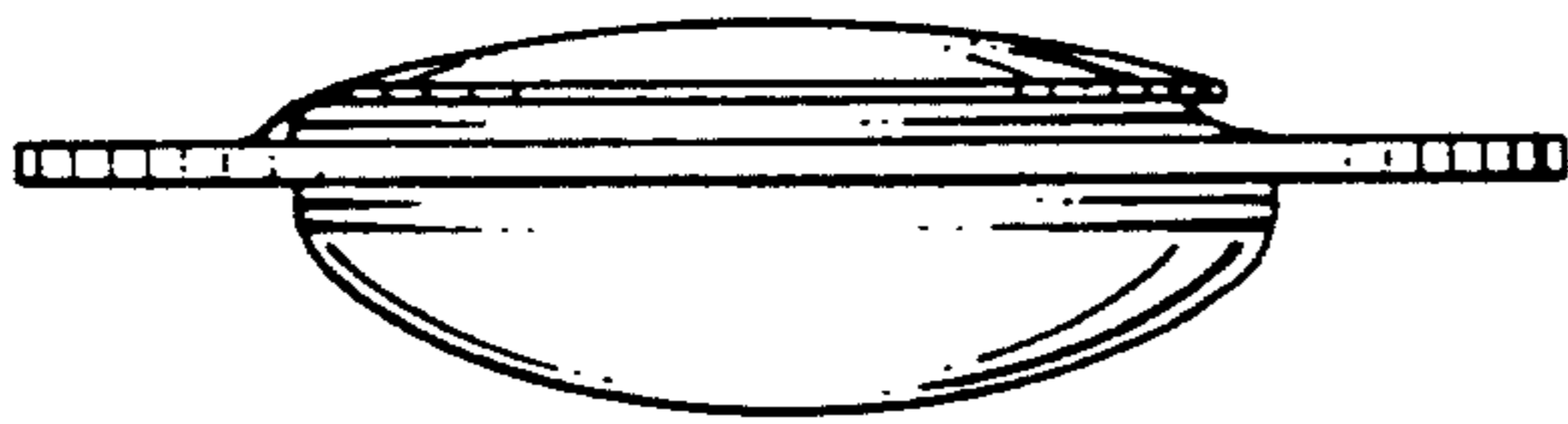


FIG. 3

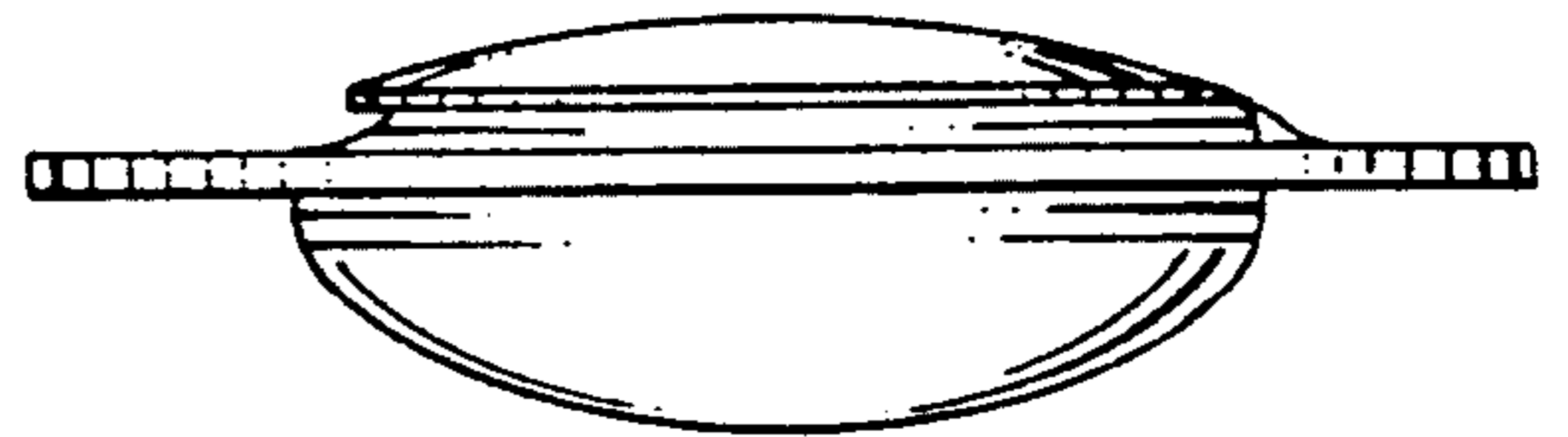


FIG. 4

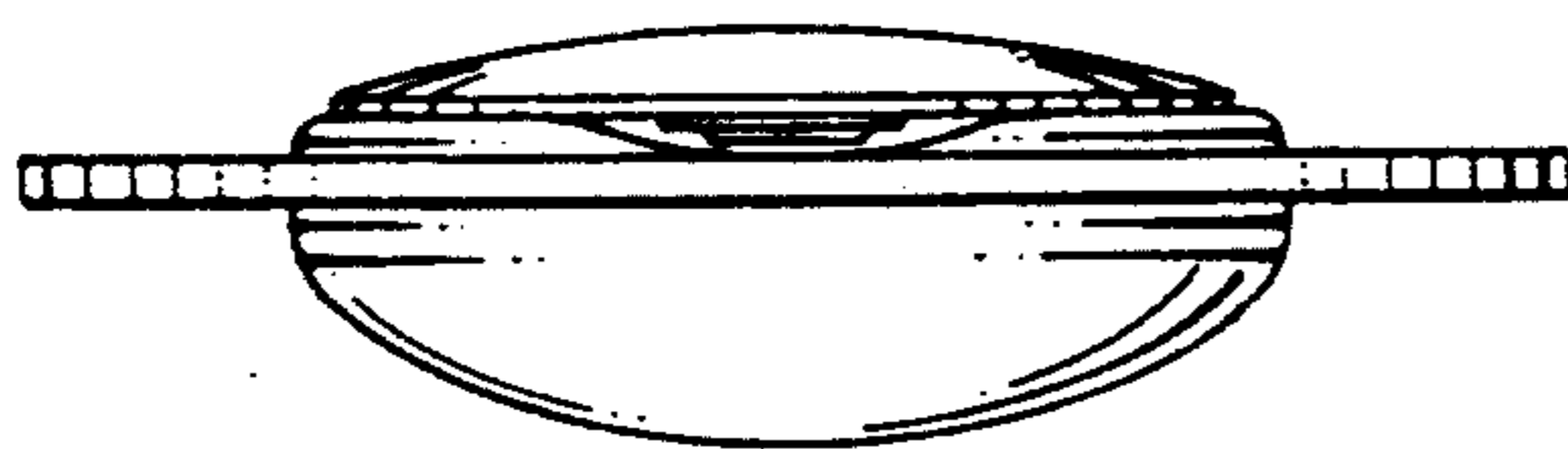


FIG. 5

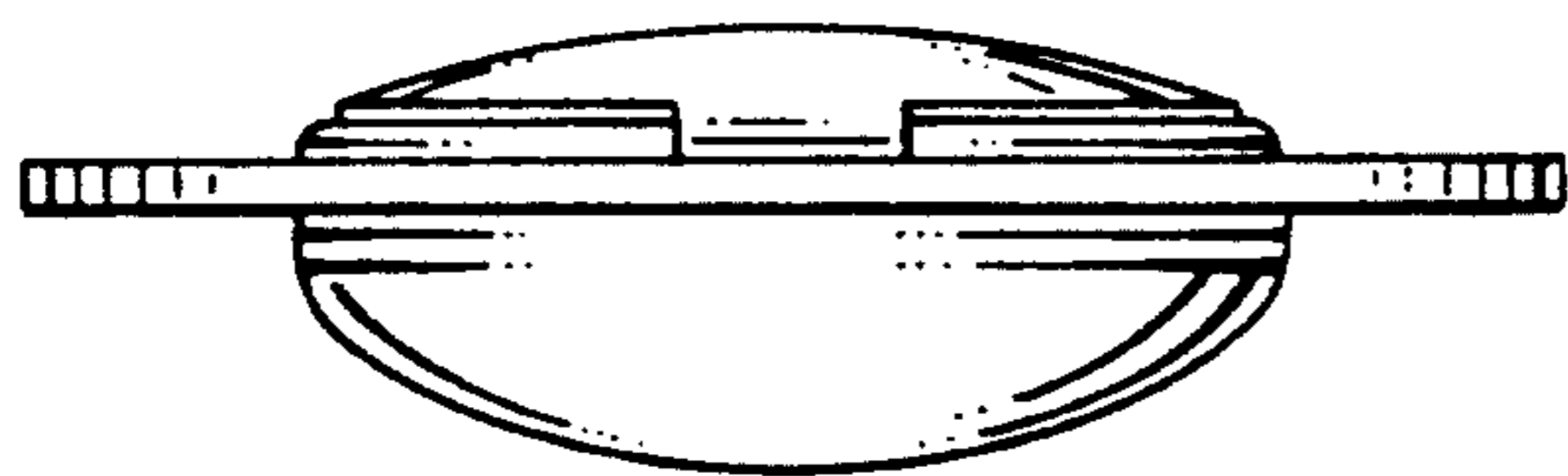


FIG. 6

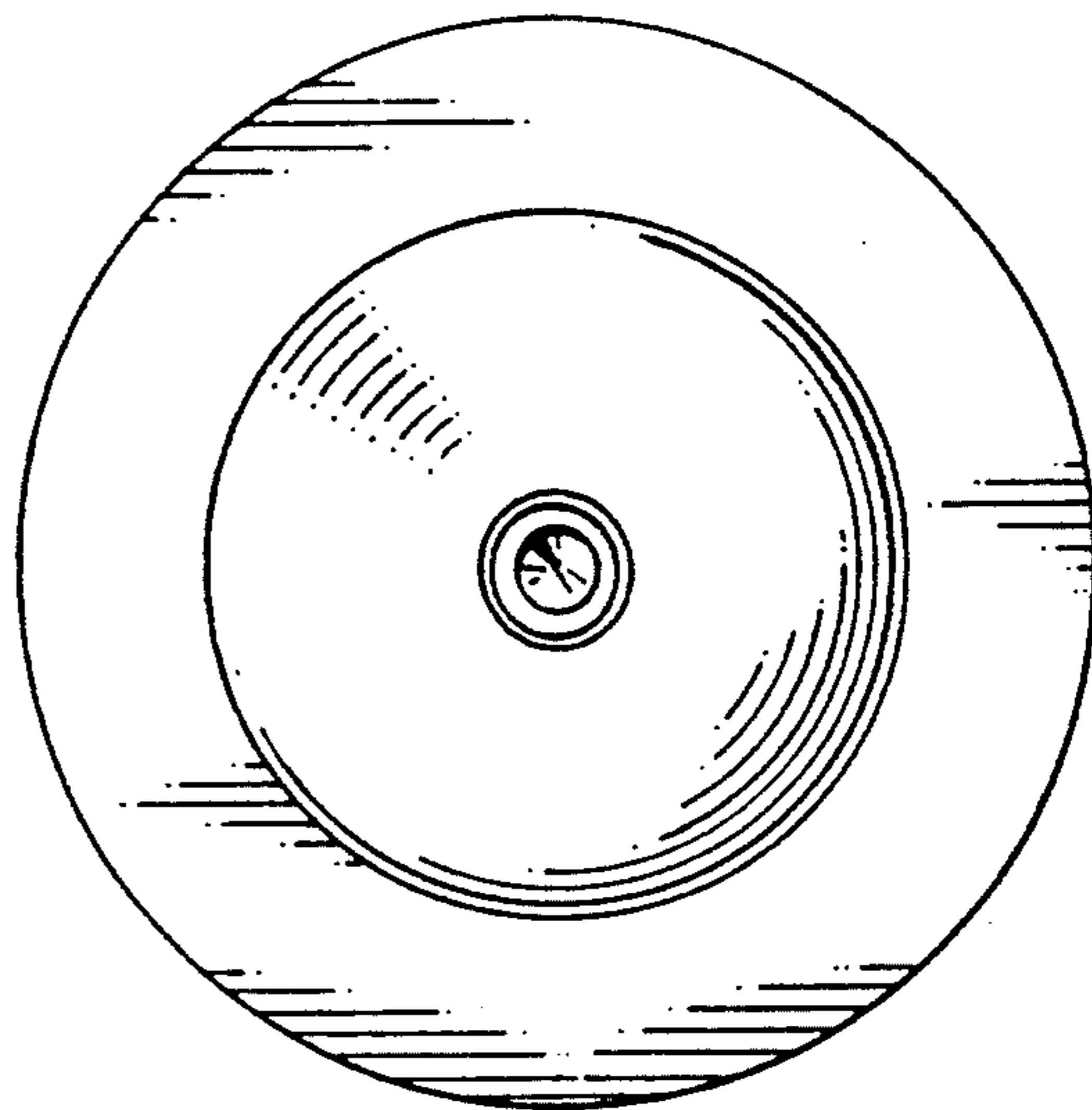


FIG. 7

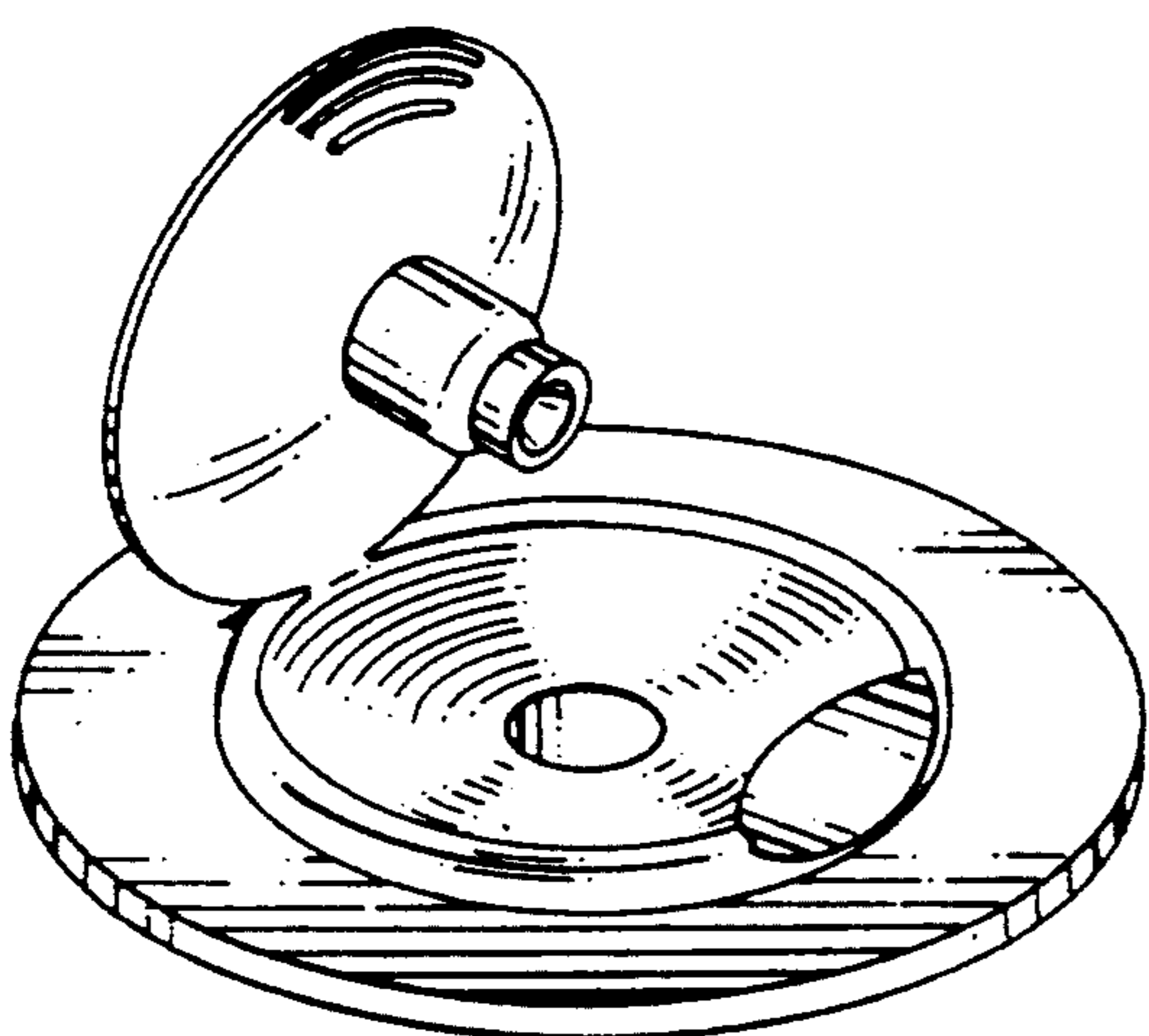


FIG. 8

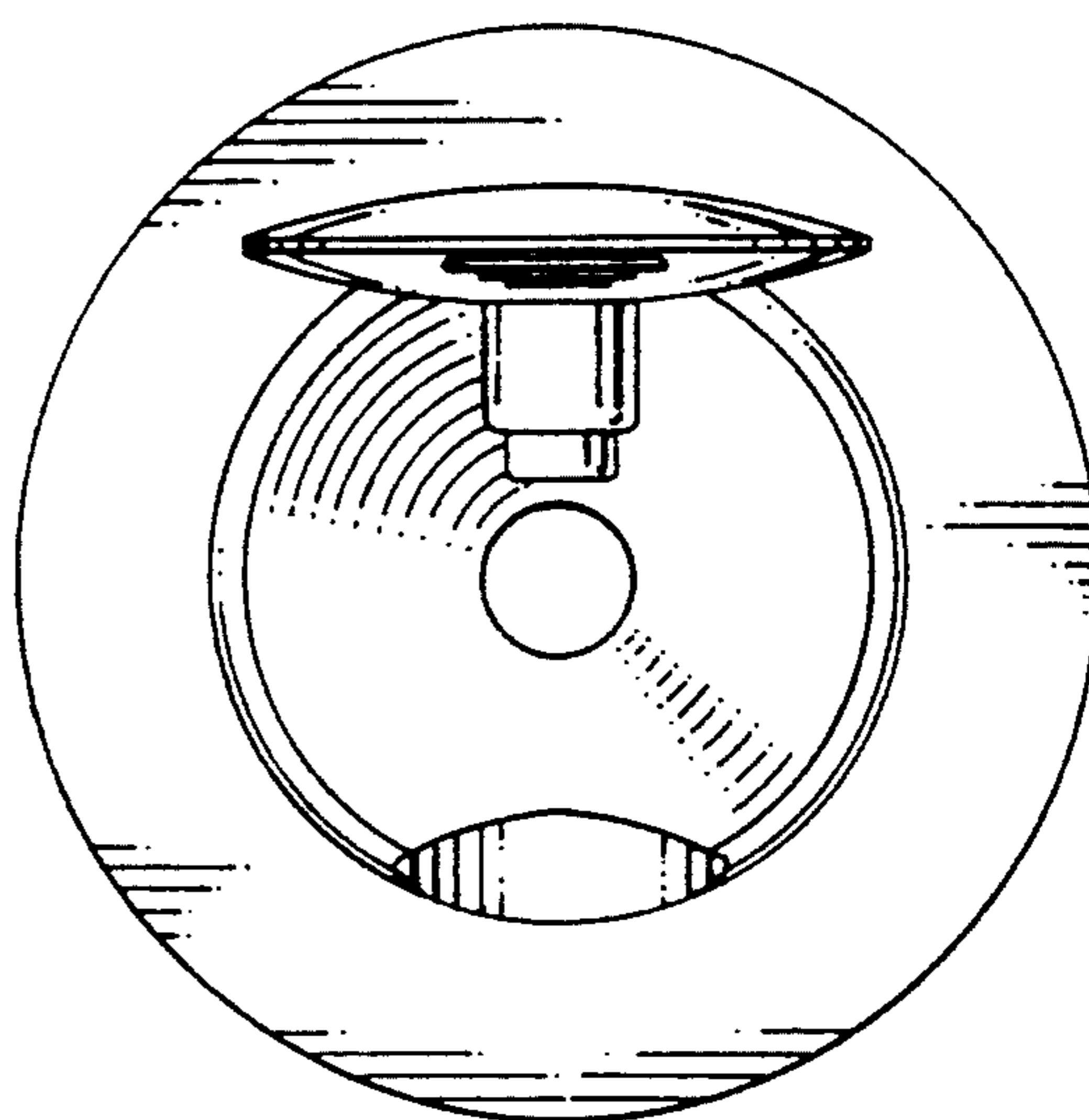


FIG. 9

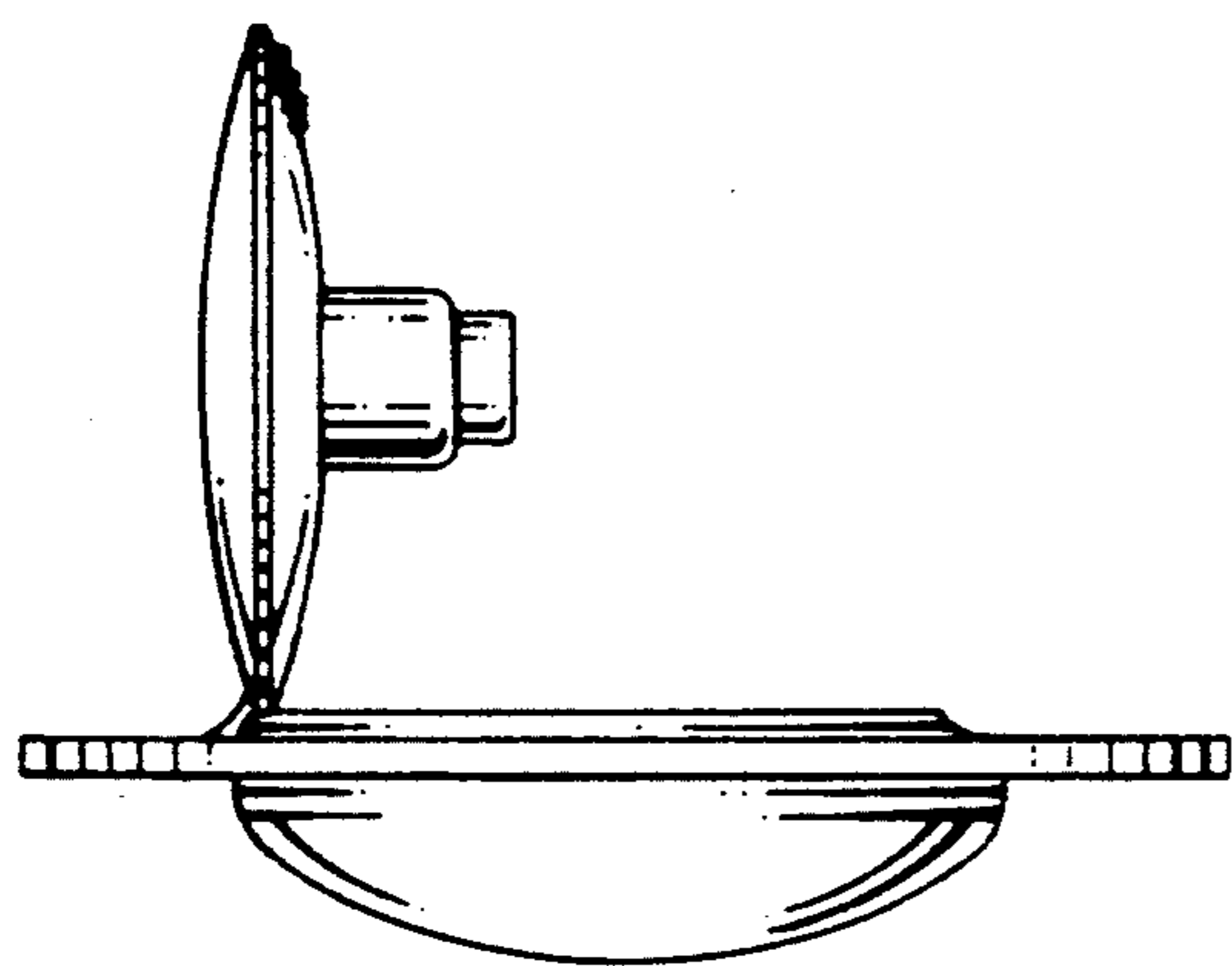


FIG. 10

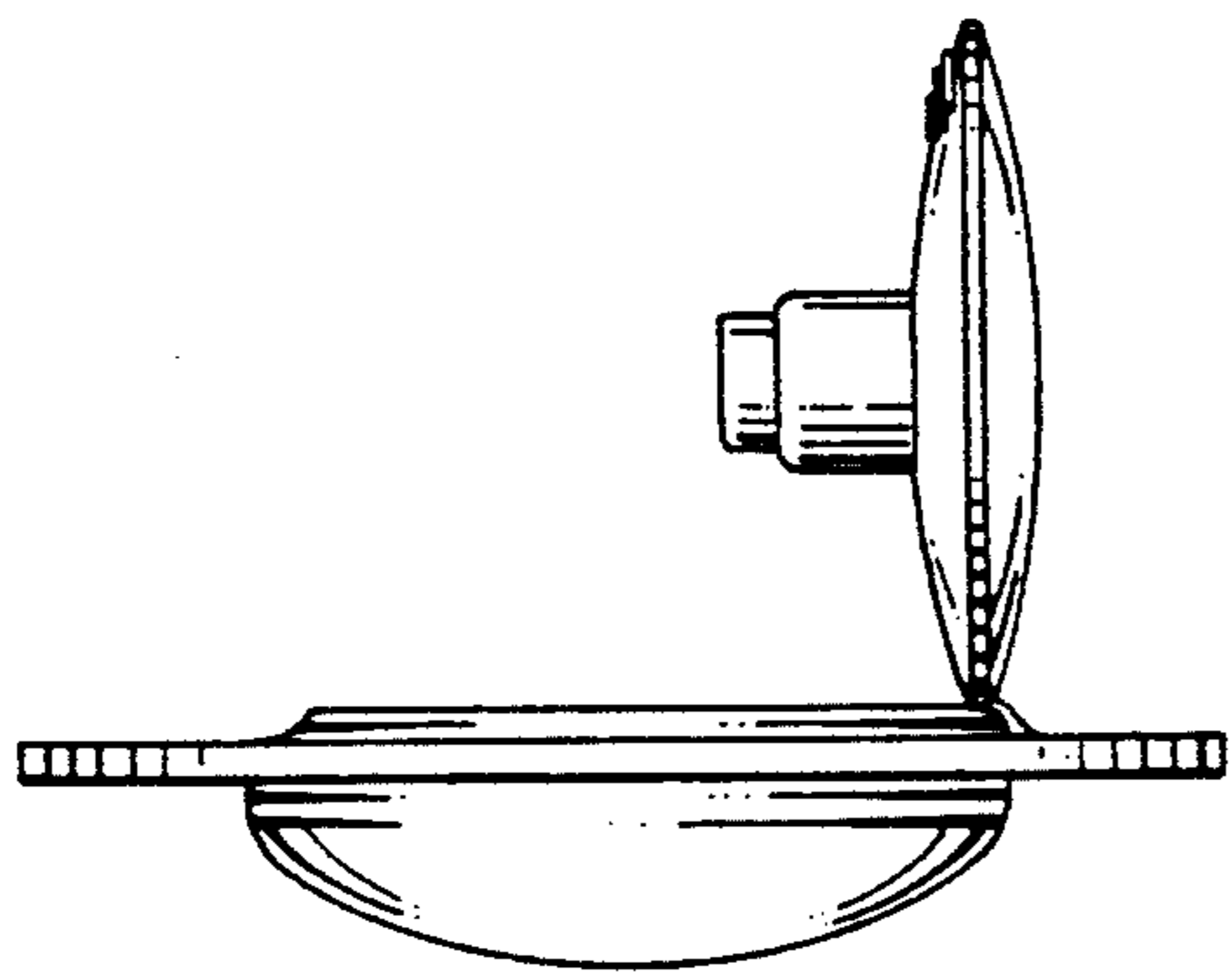


FIG. 11

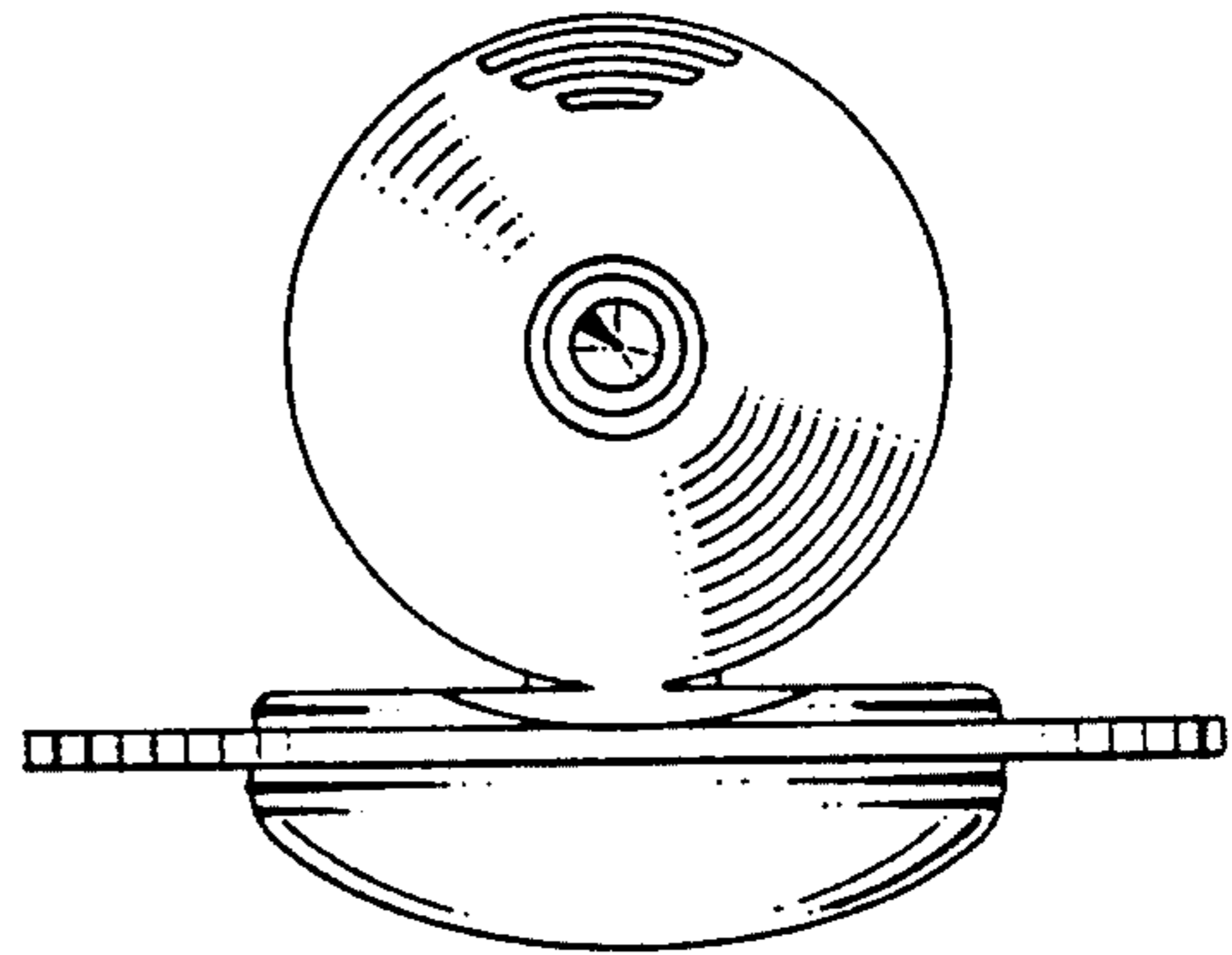


FIG. 12

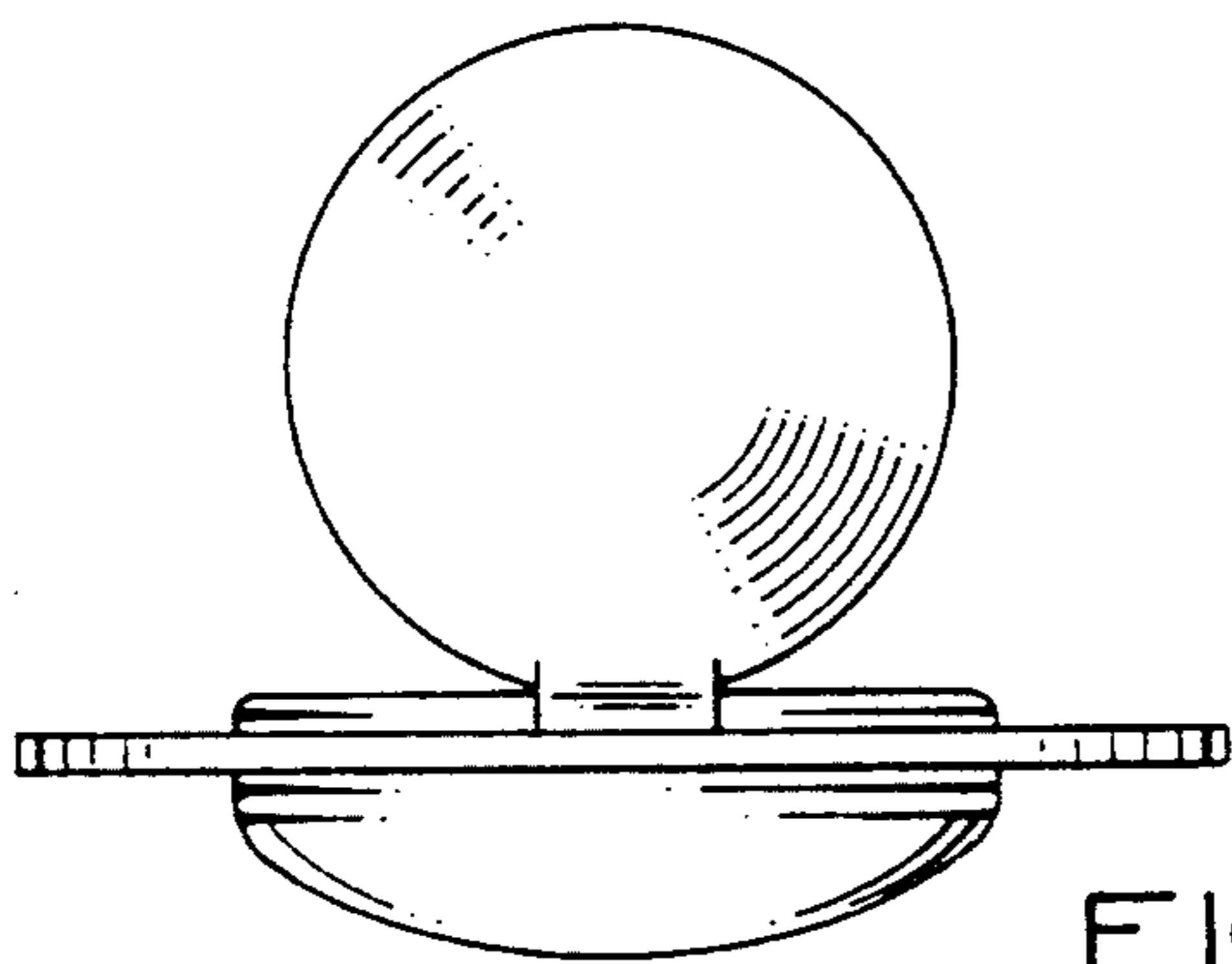


FIG. 13

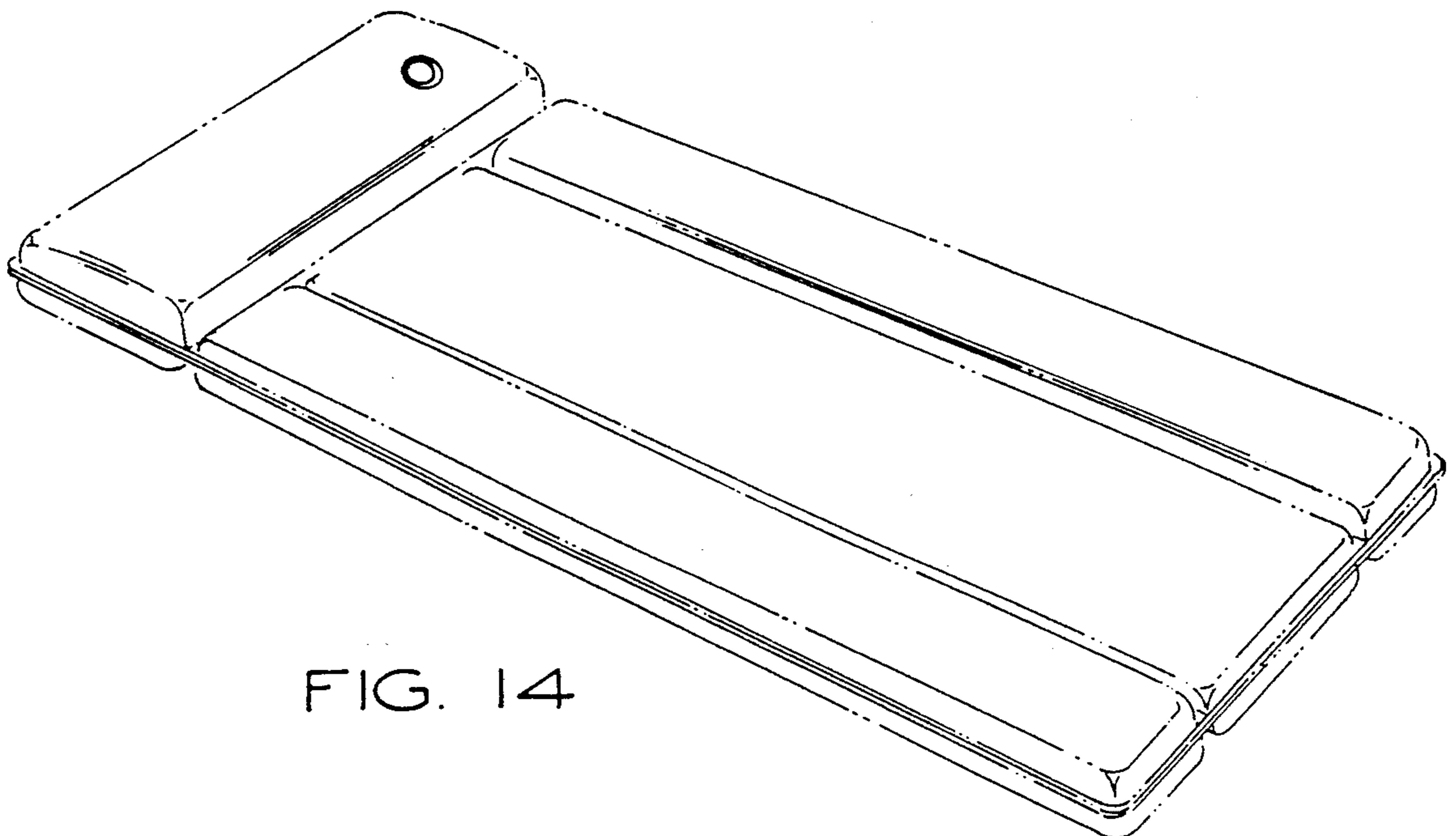


FIG. 14