



US00D346639S

United States Patent [19]
Smith

[11] **Patent Number: Des. 346,639**

[45] **Date of Patent: ** May 3, 1994**

[54] **GAME TOWING HANDLE**

D. 335,323 5/1993 Powis D22/107
3,188,130 6/1965 Pietrowicz D22/199

[76] **Inventor: Ernest C. Smith, 1813 Crosstown Blvd., NW., Andover, Minn. 55304**

Primary Examiner—A. Hugo Word
Assistant Examiner—R. Seifert
Attorney, Agent, or Firm—Lawrence Nowrocki

[**] **Term: 14 Years**

[21] **Appl. No.: 924,255**

[57] **CLAIM**

[22] **Filed: Aug. 3, 1992**

The ornamental design for a game towing handle, as shown and described.

[52] **U.S. Cl. D22/199**

[58] **Field of Search D3/30.1, 36; D8 DIG. 1; 43/1; D22/107, 199; D34/28; D15/14, 17, 18**

DESCRIPTION

[56] **References Cited**

U.S. PATENT DOCUMENTS

D. 256,521 8/1980 Bishop D3/36
D. 278,456 4/1985 Lewis D22/199
D. 333,695 3/1993 Gatto et al. D22/199
D. 334,532 4/1993 Arana D22/199

FIG. 1 is a perspective view of a game towing handle showing my new design;
FIG. 2 is a top plan view thereof;
FIG. 3 is a bottom plan view thereof;
FIG. 4 is a side elevational view thereof, the opposite side being essentially the same; and,
FIG. 5 is an end elevational view thereof, the opposite end view being identical.

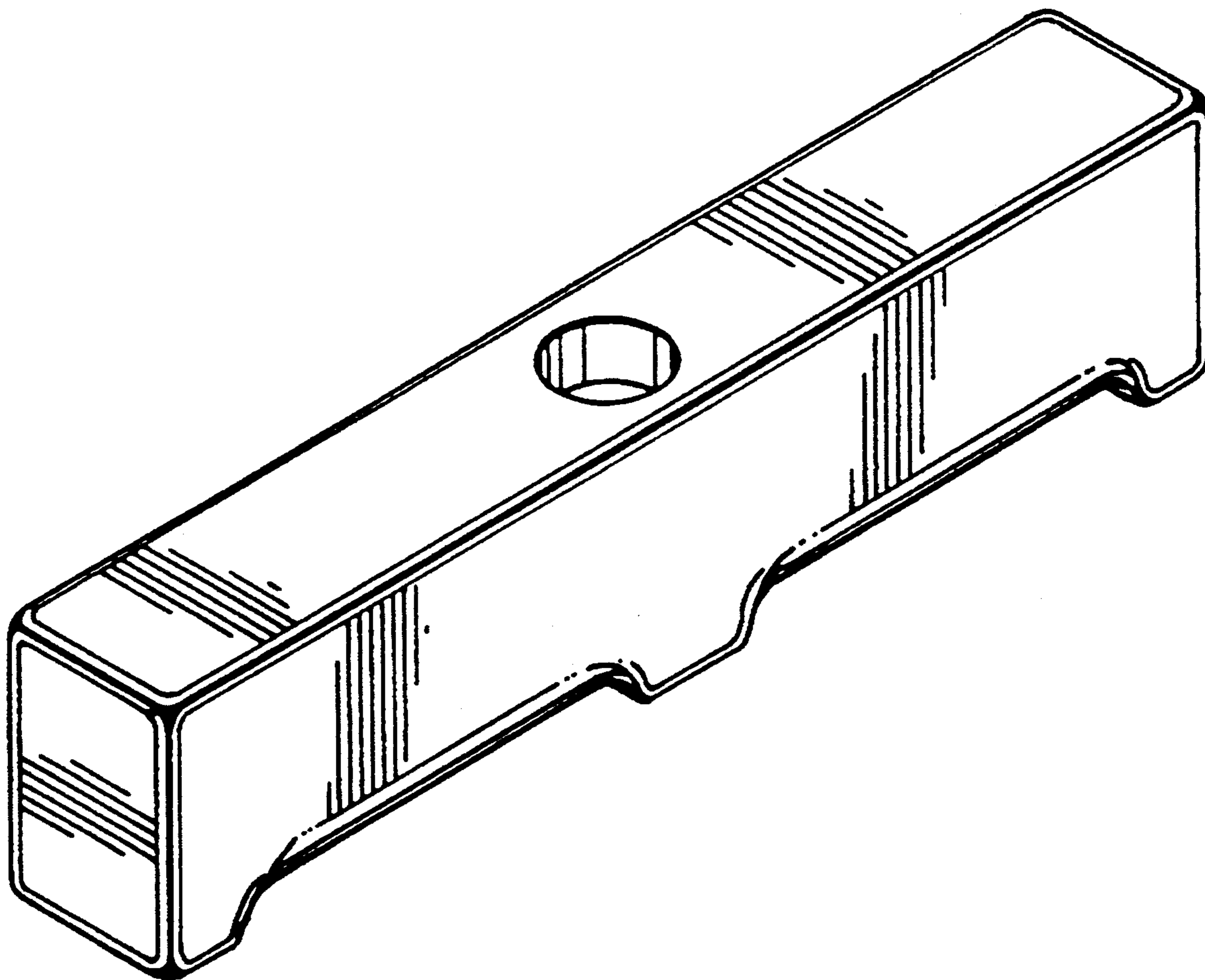


Fig.1

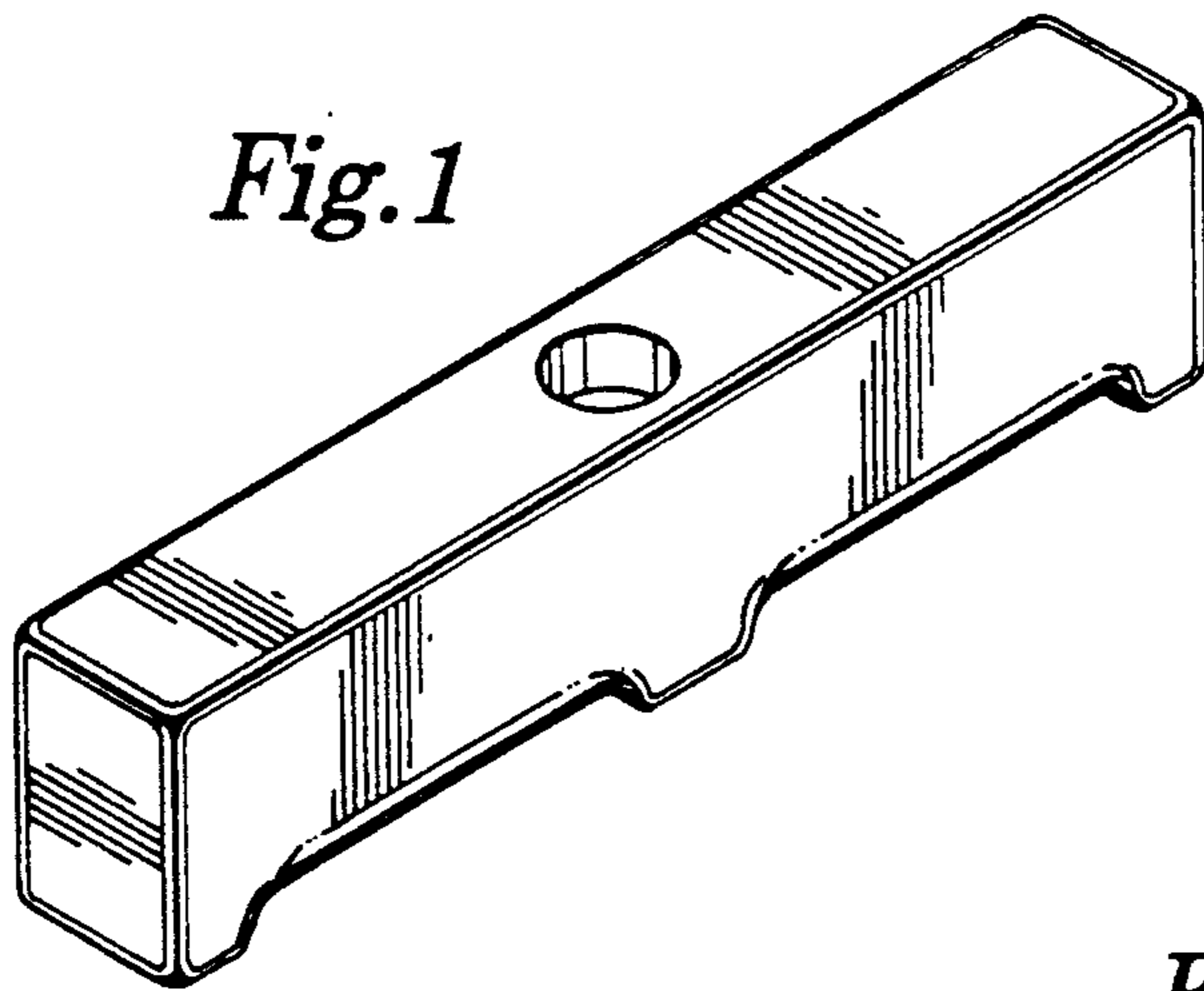


Fig.2

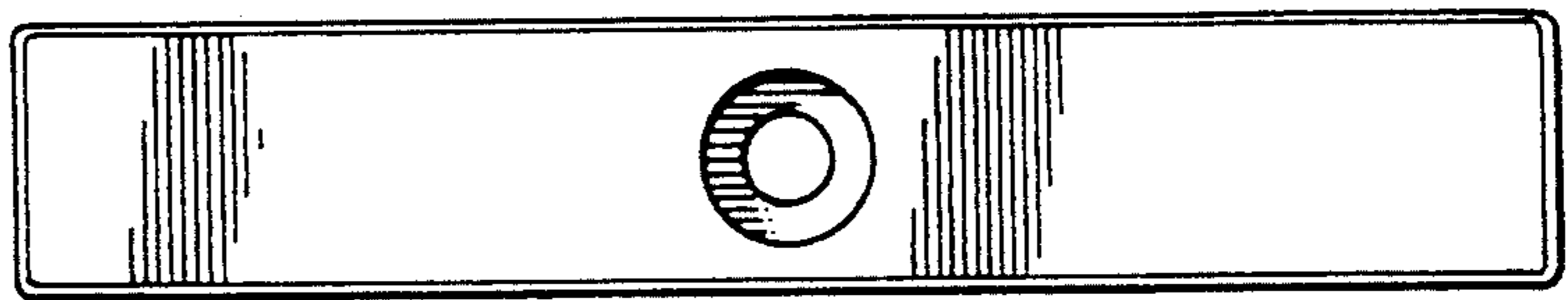


Fig.3

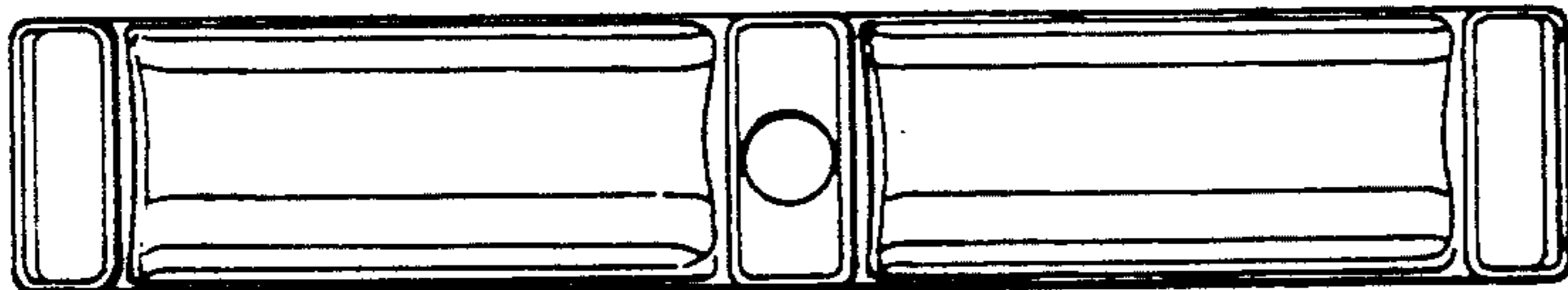


Fig.4

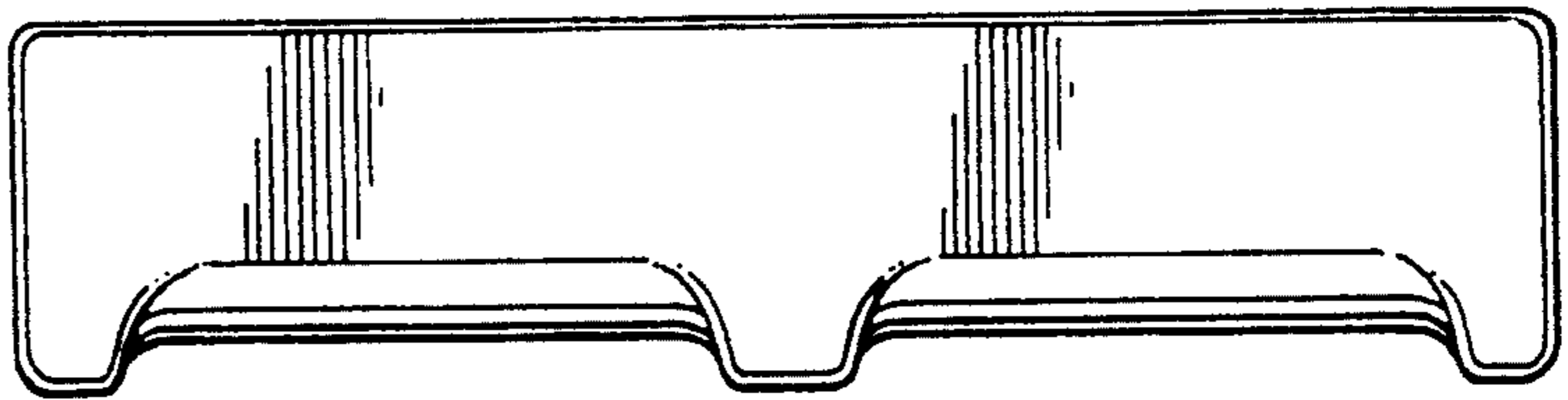


Fig.5

