



US00D346637S

United States Patent [19]

Exum et al.

[11] Patent Number: **Des. 346,637**

[45] Date of Patent: **** May 3, 1994**

- [54] **ILLUMINATED FLEA TRAP**
- [75] Inventors: **Joe Exum, Snow Hill; Jess Mellenthin, Oxford, both of N.C.**
- [73] Assignee: **Happy Jack, Inc., Snow Hill, N.C.**
- [**] Term: **14 Years**
- [21] Appl. No.: **825,704**
- [22] Filed: **Jan. 27, 1992**
- [52] U.S. Cl. **D22/122; D22/123**
- [58] Field of Search **43/112, 113, 114, 115, 43/132.1, 107; D22/119, 122, 123**

4,700,506 10/1987 Williams 43/113

Primary Examiner—A. Hugo Word
Assistant Examiner—Doris V. Coles
Attorney, Agent, or Firm—Shefte, Pinckney & Sawyer

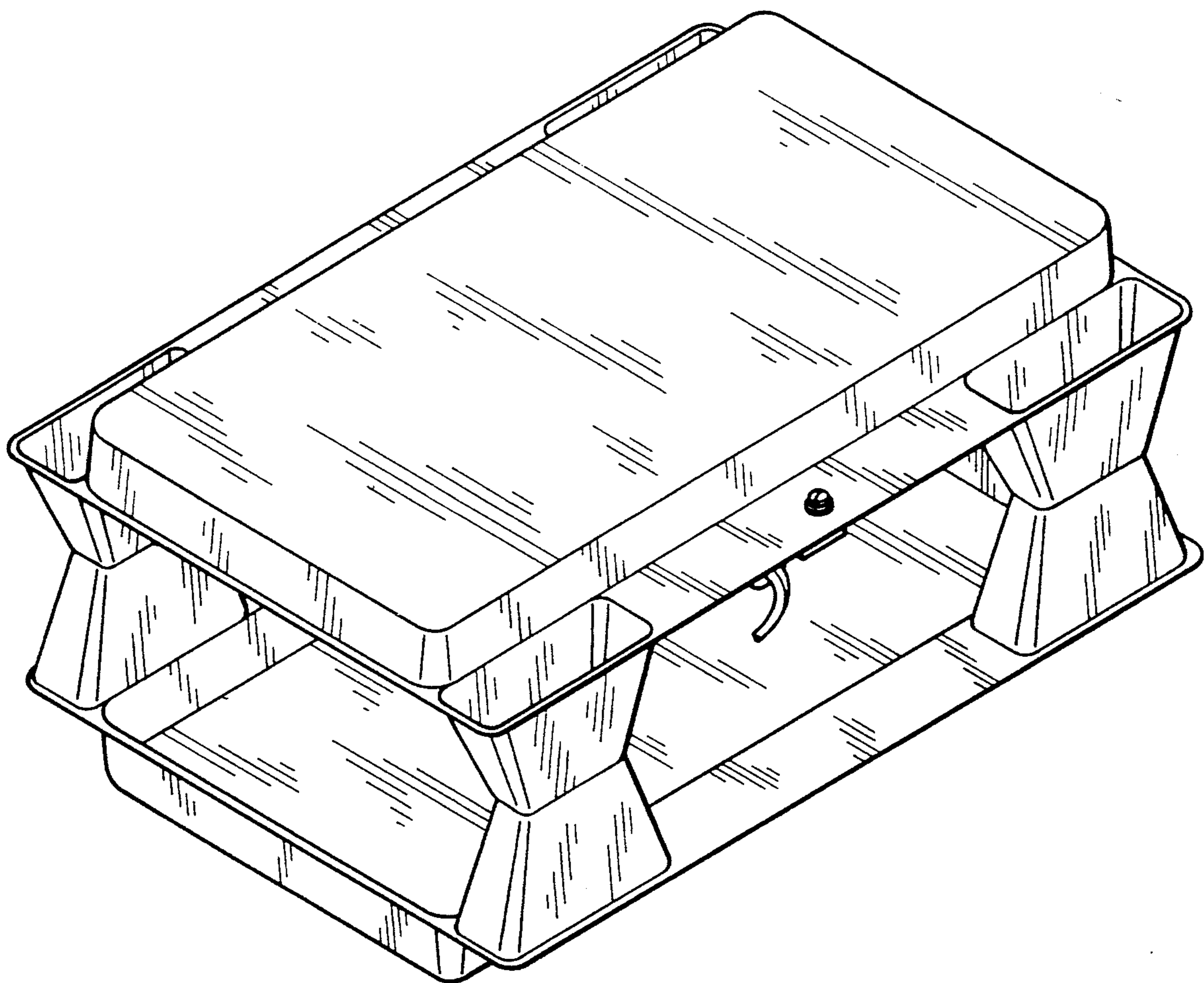
[57] CLAIM

The ornamental design for an illuminated flea trap, as shown and described.

DESCRIPTION

FIG. 1 is a perspective view of an illuminated flea trap showing our new design;
FIG. 2 is an end elevational view thereof, the opposite end being of like configuration;
FIG. 3 is a side elevational view thereof, the opposite side being of like configuration; and,
FIG. 4 is a top plan view thereof, and the bottom plan view is plain and unadorned.

- [56] **References Cited**
- U.S. PATENT DOCUMENTS**
- 4,086,720 5/1978 Wisner D22/123 X
- 4,686,789 8/1987 Williams 43/114 X



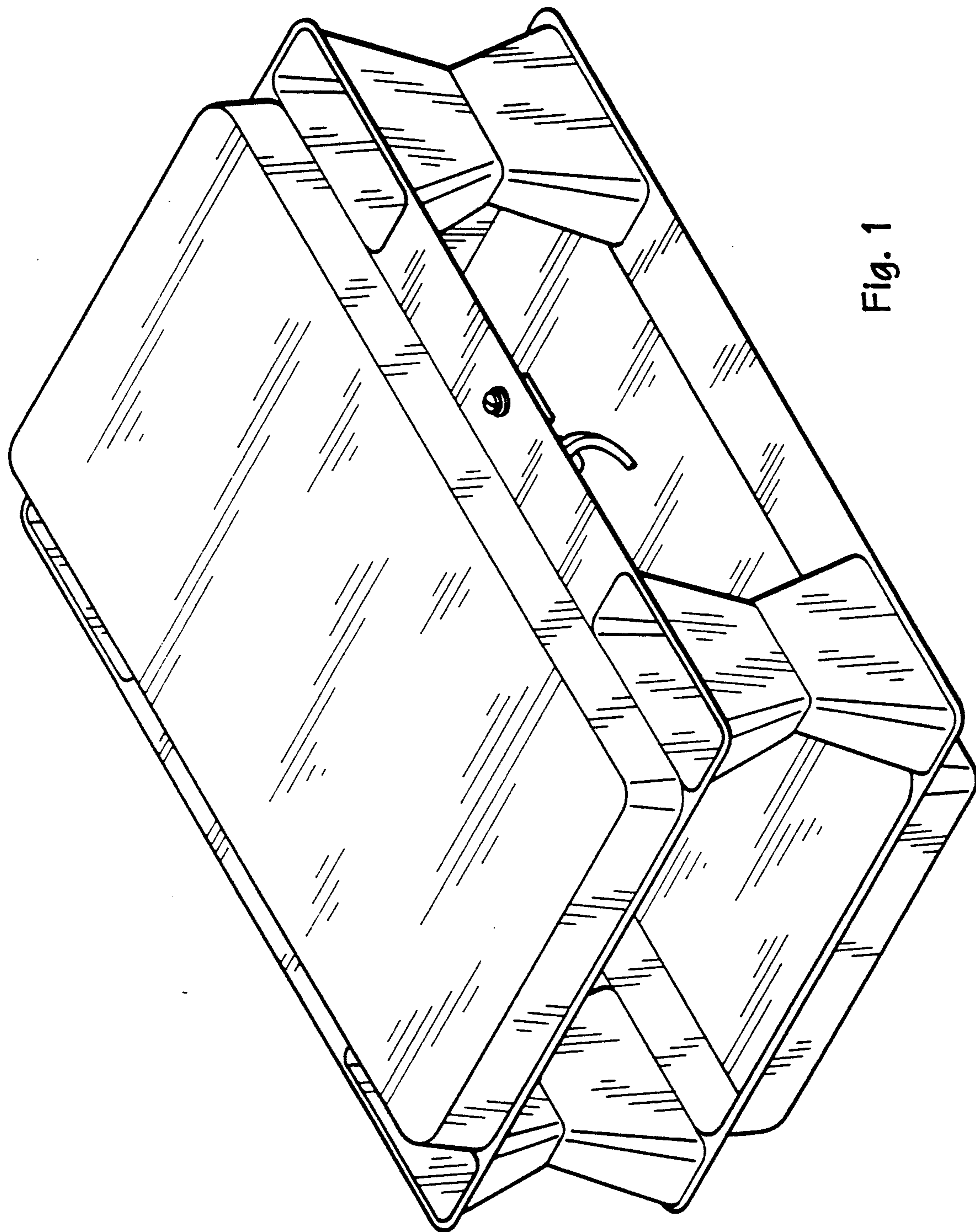


Fig. 1

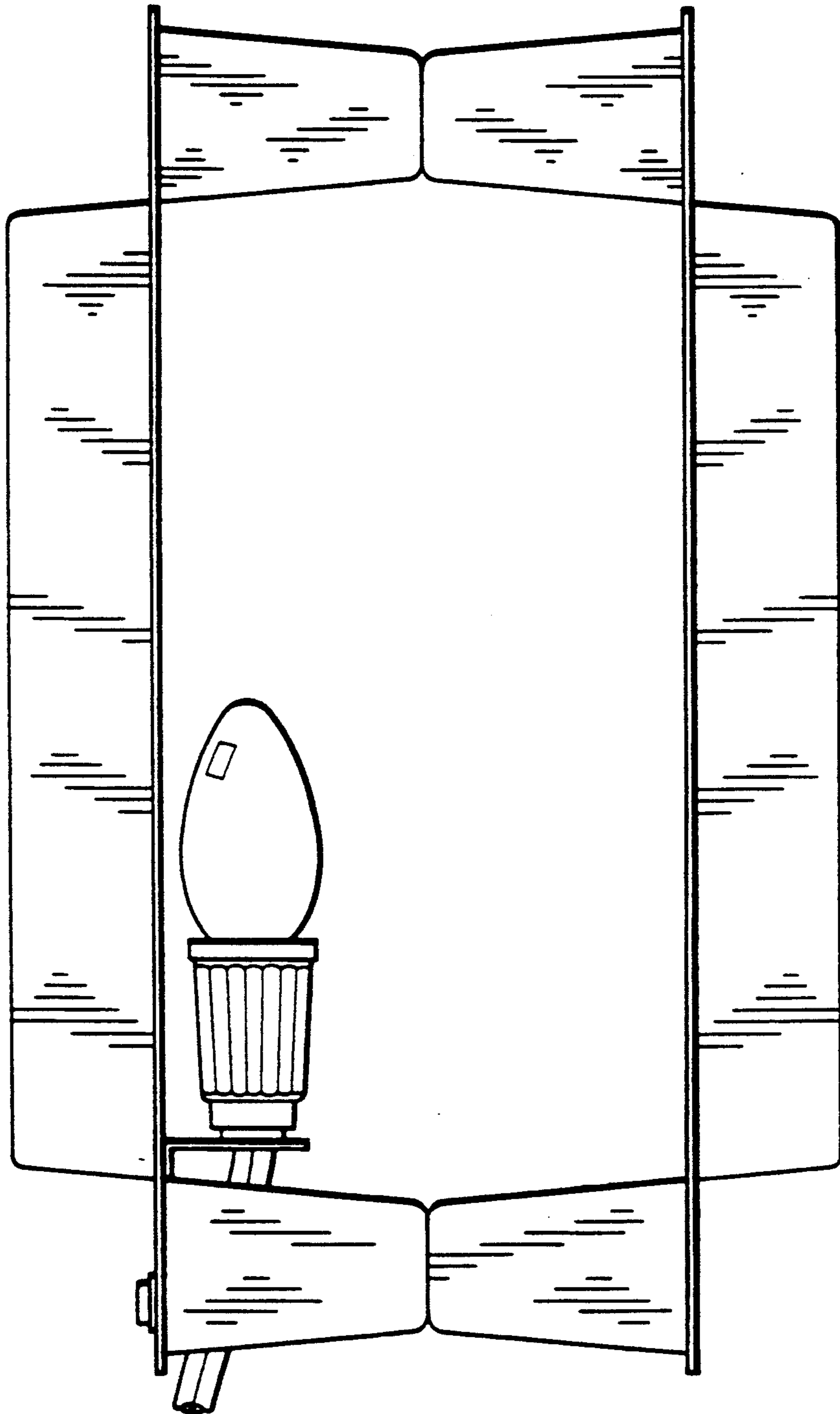


Fig. 2

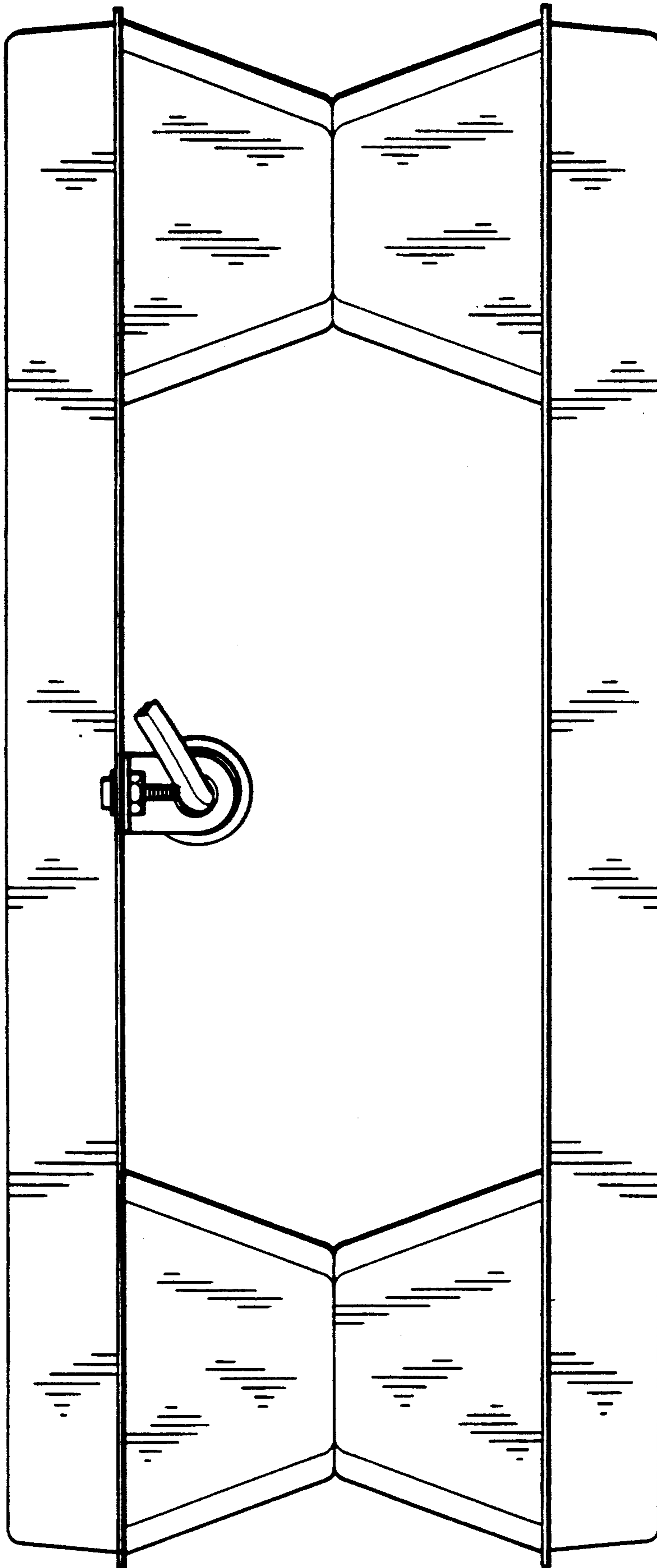


Fig. 3

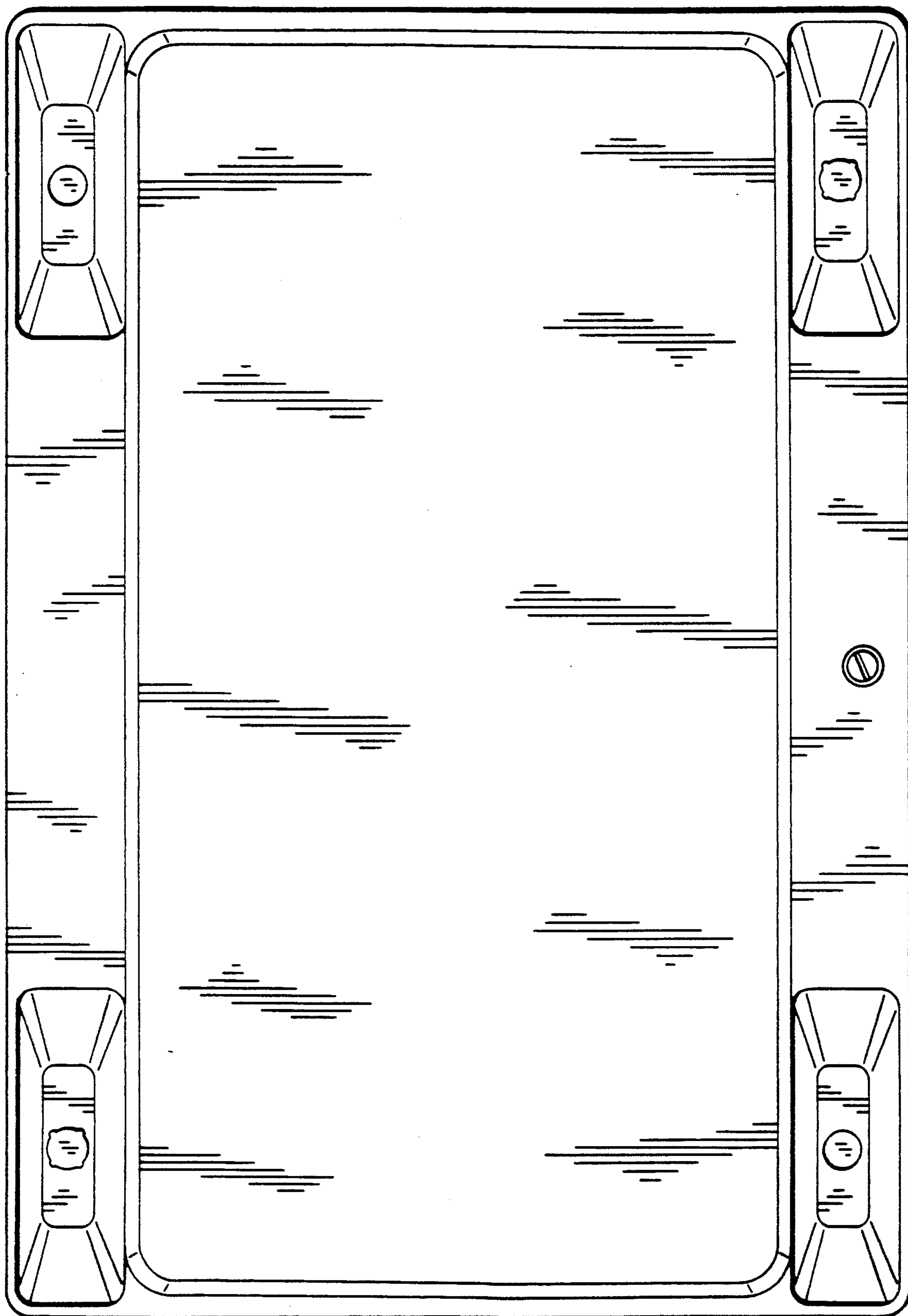


Fig. 4