



US00D346634S

United States Patent [19]

[11] Patent Number: **Des. 346,634**

Evers

[45] Date of Patent: **** May 3, 1994**

[54] **COMBINED BROKEN TEE RECEPTACLE AND TEE MARKER**

5,029,855 7/1991 Jamieson et al. 273/32 B

[76] Inventor: **Elaine Evers, 1713 Sunset Dr., Carbondale, Ill. 62901**

OTHER PUBLICATIONS

Potpourri, Autumn 1984, p. 13, lower left, item H, Silver Lilies Candle Holders.

[**] Term: **14 Years**

Primary Examiner—Melvin B. Feifer
Attorney, Agent, or Firm—Senniger, Powers Leavitt & Roedel

[21] Appl. No.: **600,220**

[22] Filed: **Oct. 18, 1990**

[52] U.S. Cl. **D21/234; D34/4**

[57] CLAIM

[58] Field of Search **D7/518, 521; D9/307; 248/156; 116/209; 273/32 R, 32 B; 52/103; D21/234; D34/4**

The ornamental design for a combined broken tee receptacle and tee marker, as shown and described.

DESCRIPTION

[56] References Cited

U.S. PATENT DOCUMENTS

D. 48,809	4/1916	Baldwin	D7/518
D. 98,323	1/1936	Heidrich	D7/518
D. 311,431	10/1990	Weber	D21/234
2,613,010	10/1952	Atkinson	248/156

FIG. 1 is a perspective view of the combined broken tee receptacle and tee marker showing my new design thereof;

FIG. 2 is a top plan view thereof;

FIG. 3 is an elevational view thereof; and,

FIG. 4 is a bottom plan view thereof.

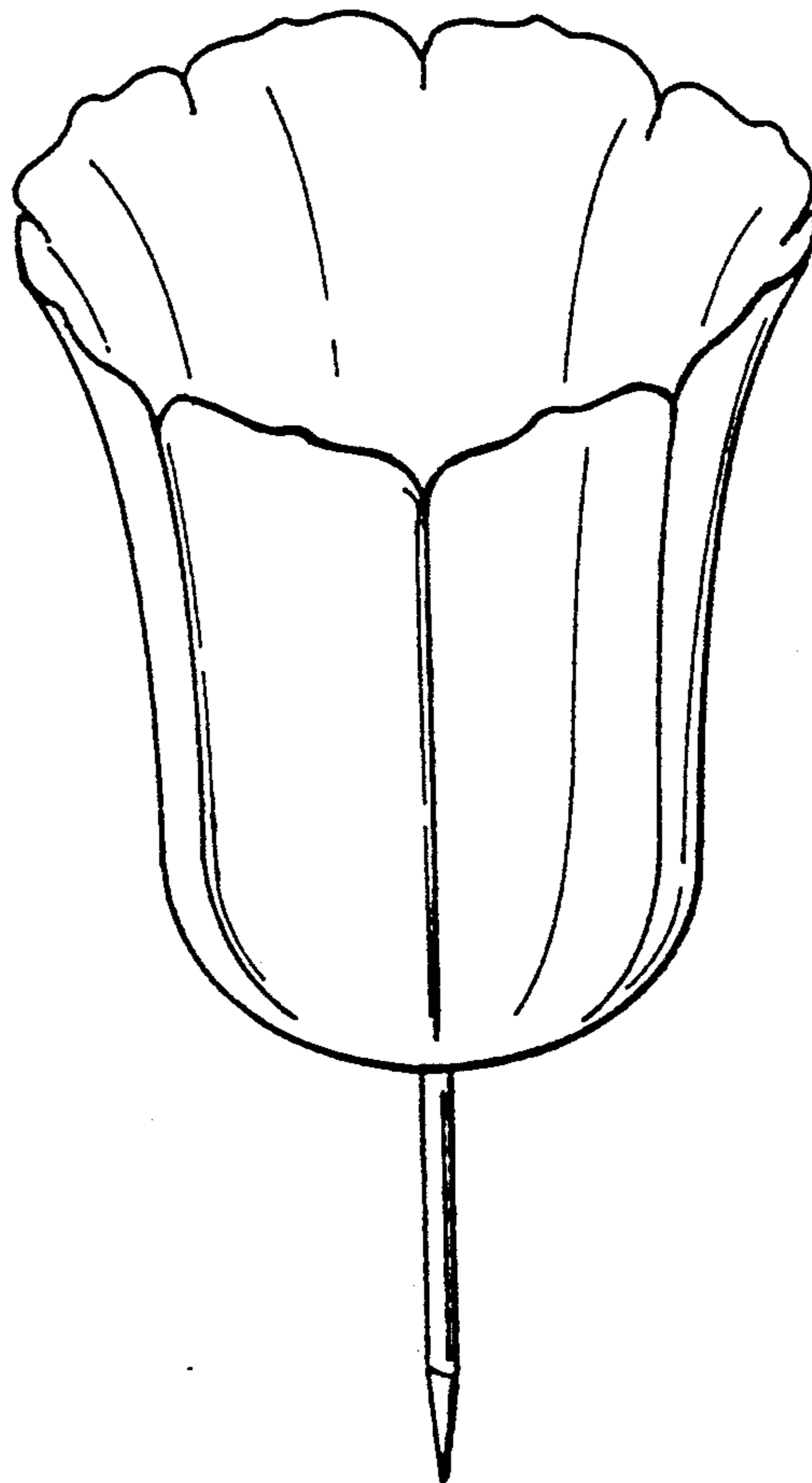


FIG. 2.

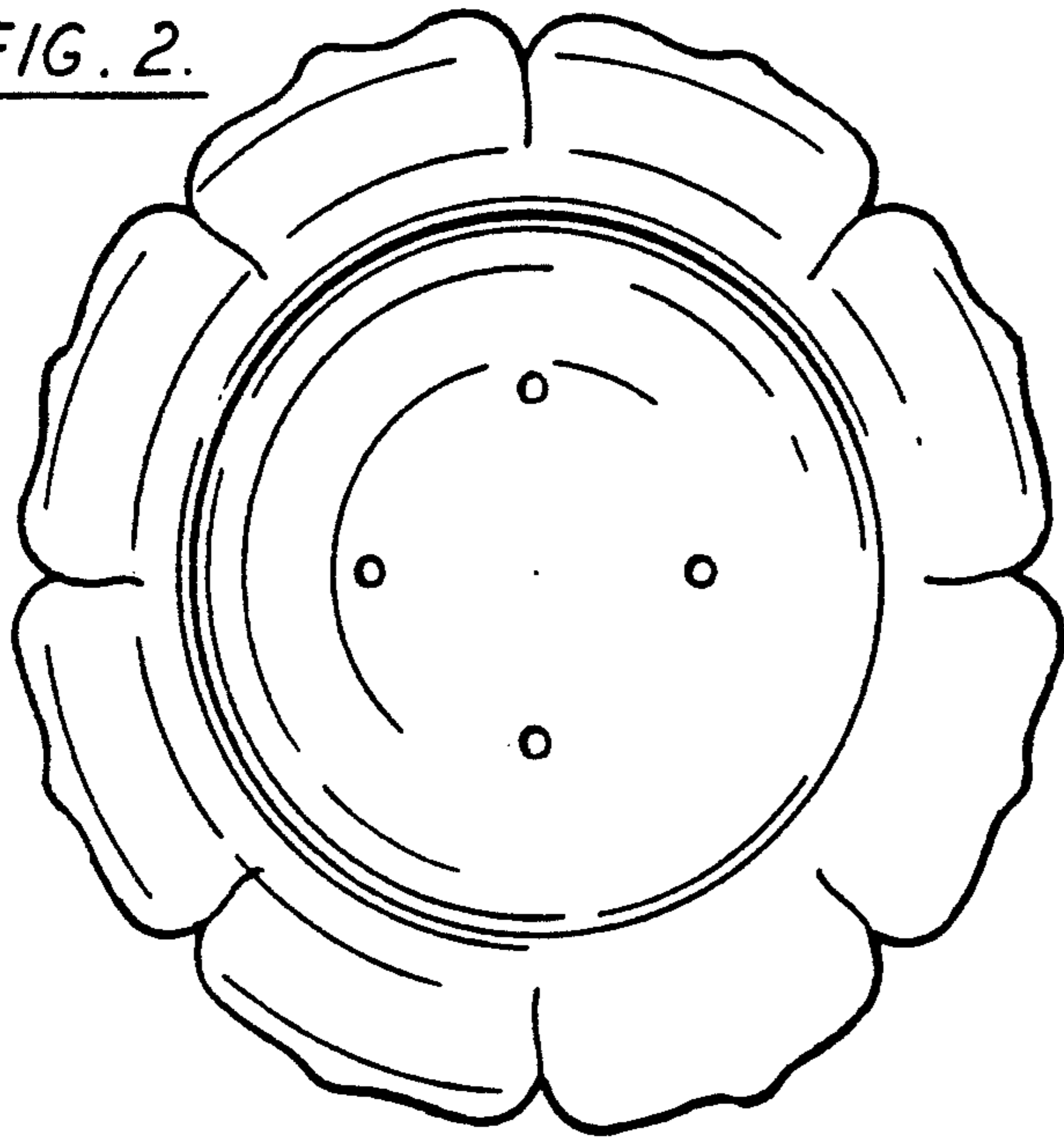


FIG. 1.

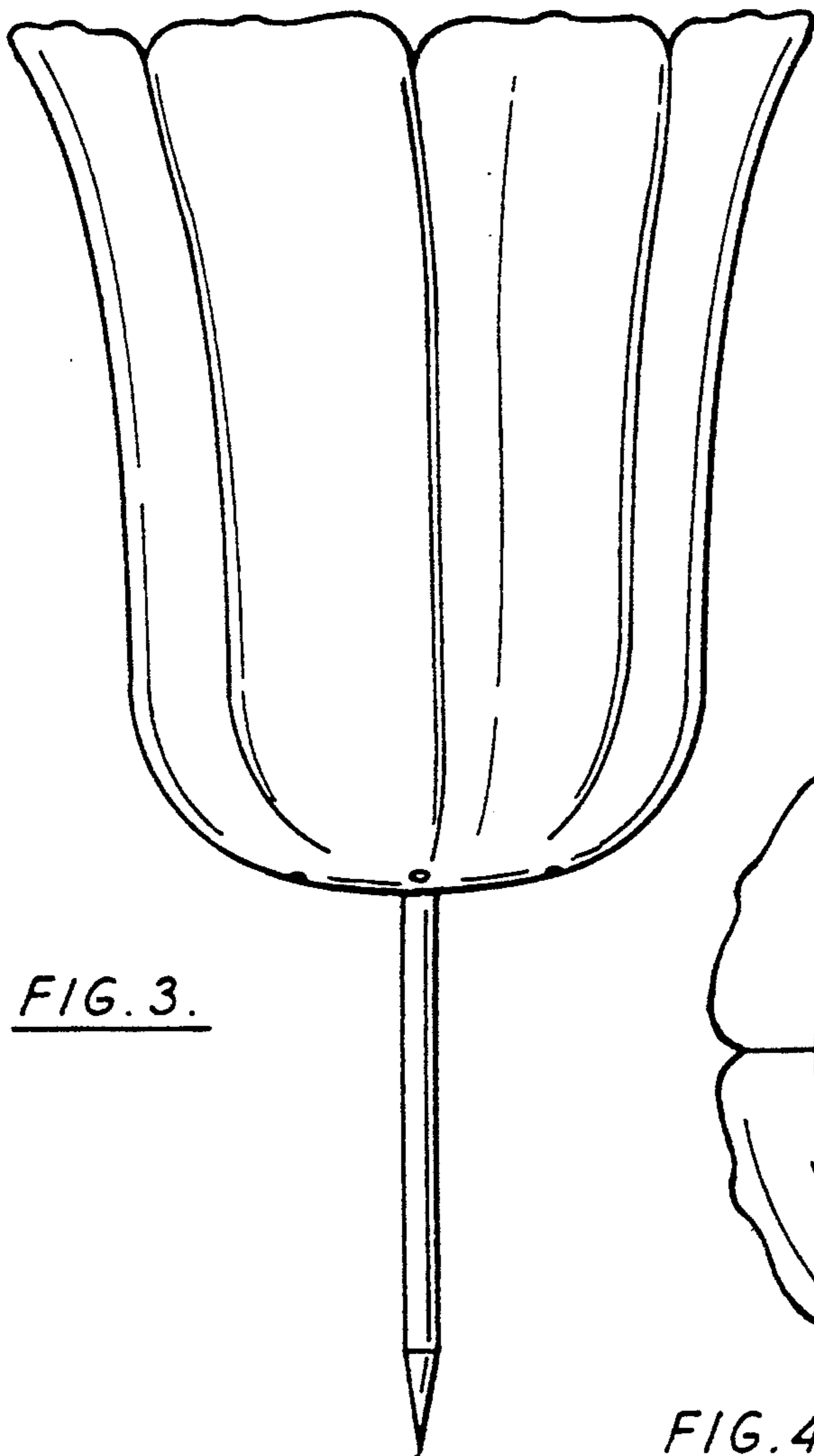
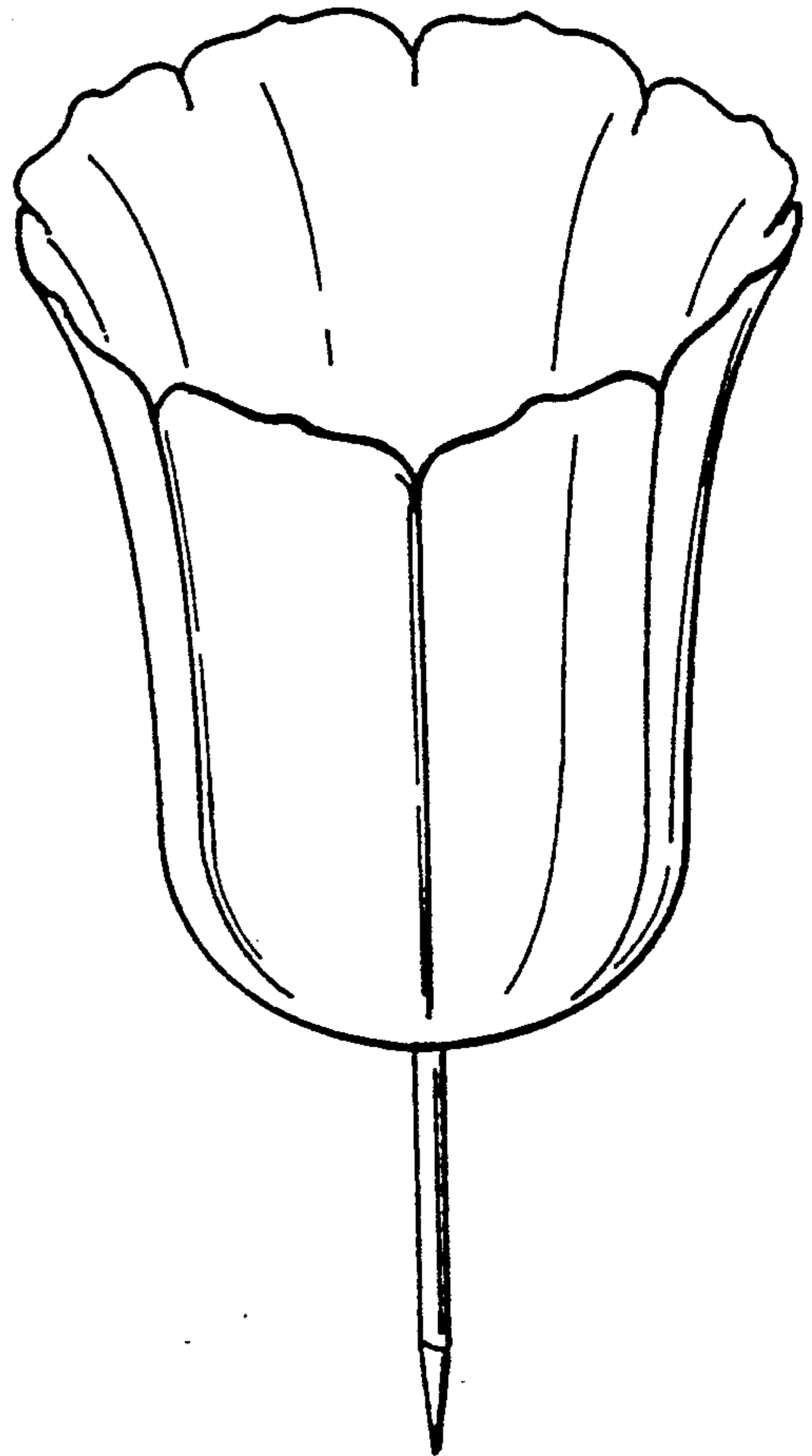


FIG. 3.

FIG. 4.

