



US00D346629S

# United States Patent [19]

[11] Patent Number: **Des. 346,629**

Ruszkai

[45] Date of Patent: **\*\* May 3, 1994**

[54] **BUILDING BASE FOR A TOY VEHICLE**

D. 295,644	5/1988	Takahashi	.....	D21/141
3,224,135	12/1965	Wright	.....	446/121
4,375,139	3/1983	Chantani	.....	446/471

[75] Inventor: **Ede F. Ruszkai**, Kobenhavn, Denmark

*Primary Examiner*—Bernard Ansher  
*Assistant Examiner*—R. Barkai  
*Attorney, Agent, or Firm*—Kane, Dalsimer, Sullivan, Kurucz, Levy, Eisele and Richard

[73] Assignee: **Interlego A.G.**, Baar, Switzerland

[\*\*] Term: **14 Years**

[21] Appl. No.: **1,915**

[57] **CLAIM**

[22] Filed: **Nov. 24, 1992**

The ornamental design for a building base for a toy vehicle, as shown and described.

[52] U.S. Cl. .... **D21/108**

[58] Field of Search ..... 446/467, 470, 471, 120, 446/121, 128, 124, 125, 85; D21/108, 129, 134, 141; D19/59, 62; D25/115, 118

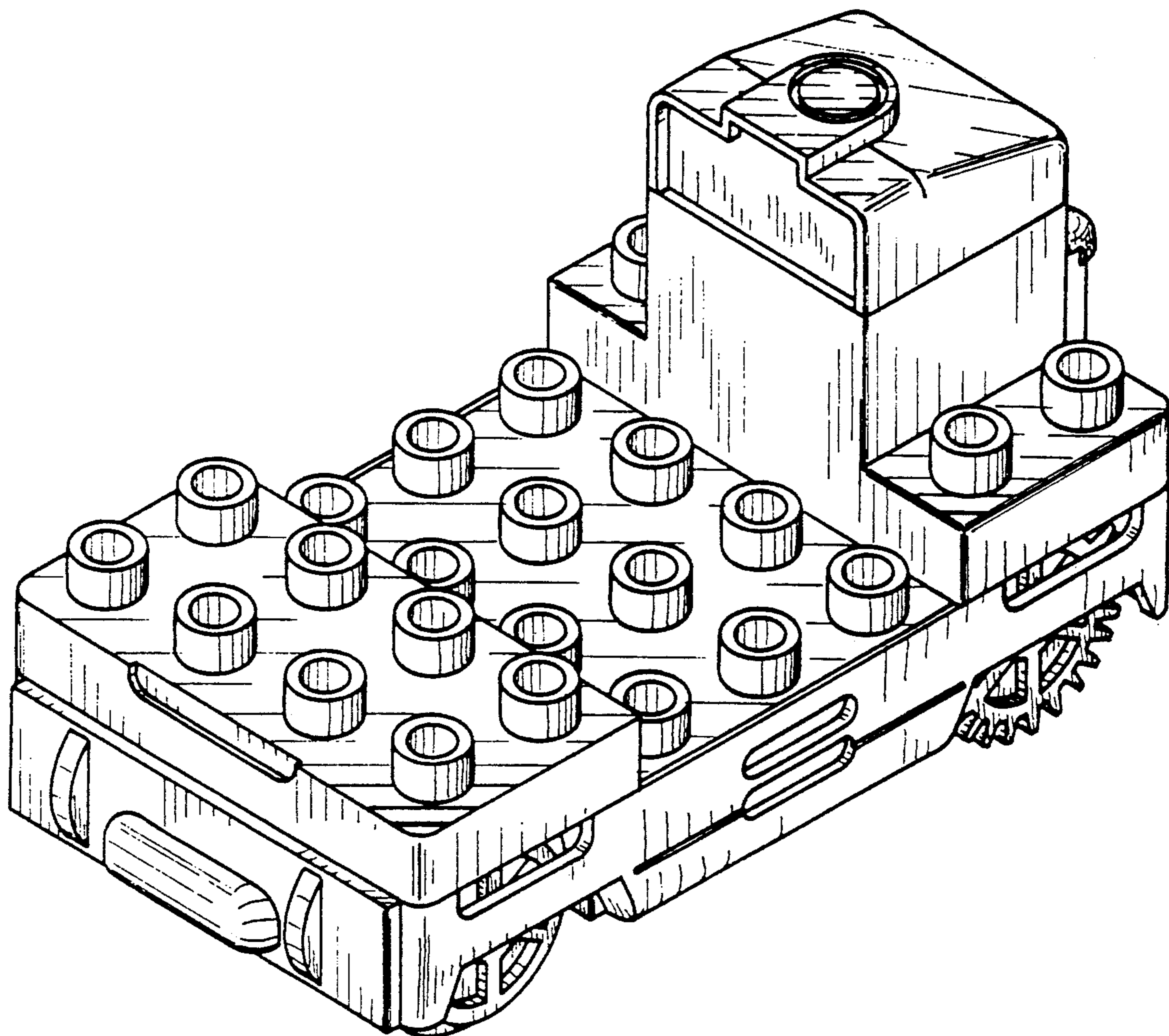
**DESCRIPTION**

[56] **References Cited**

**U.S. PATENT DOCUMENTS**

D. 282,090	1/1986	Takahashi	.....	D21/108
D. 283,236	4/1986	Agigaya	.....	D21/141
D. 292,779	11/1987	Bayly	.....	D21/129
D. 295,642	5/1988	Olsen	.....	D21/108

FIG. 1 is a top perspective view of the building base for a toy vehicle showing my new design; FIG. 2 is a front elevational view thereof; FIG. 3 is a side elevational view thereof, the other side being identical; FIG. 4 is a rear elevational view thereof; FIG. 5 is a top plan view thereof; and, FIG. 6 is a bottom plan view thereof.



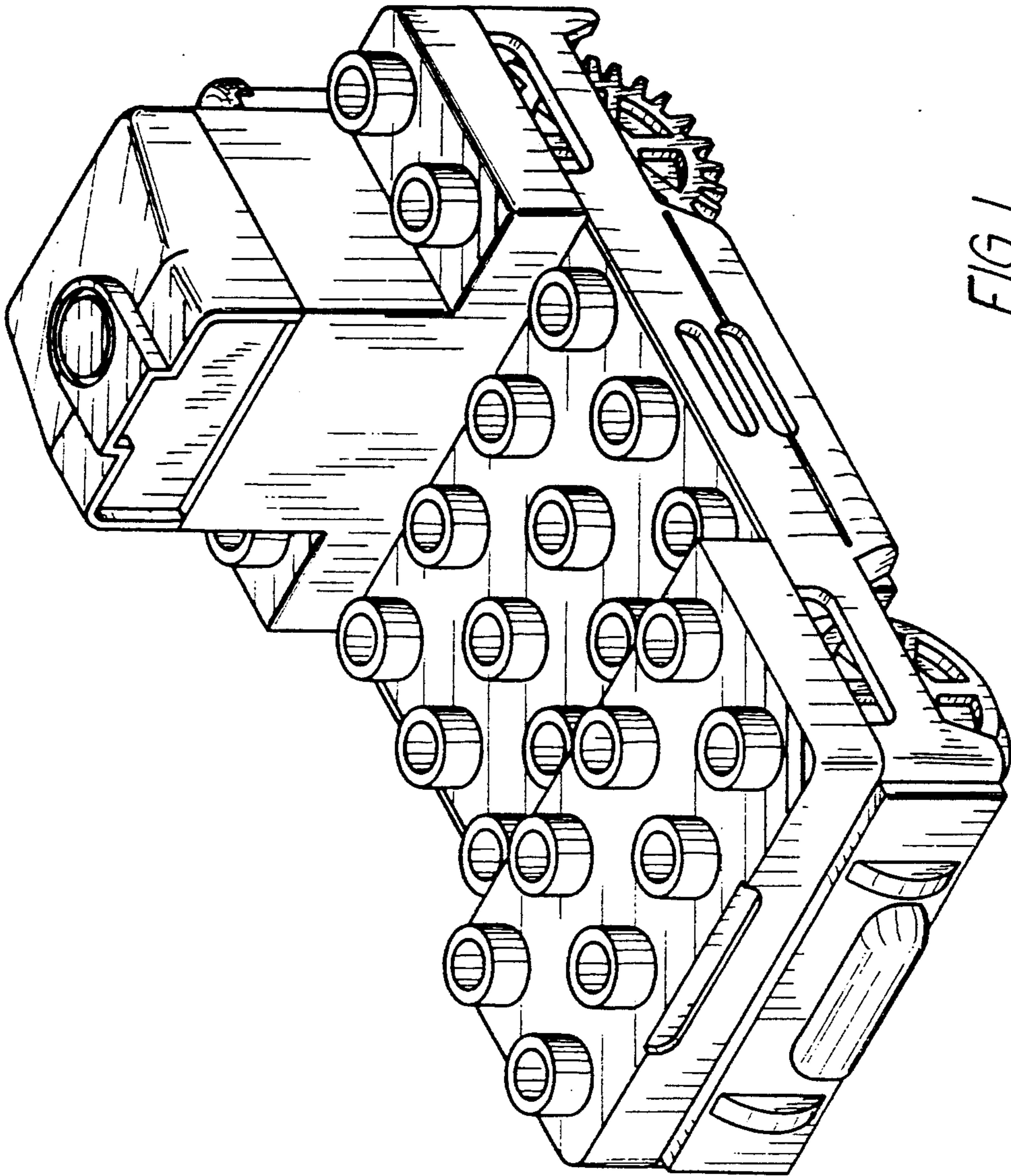


FIG. 1

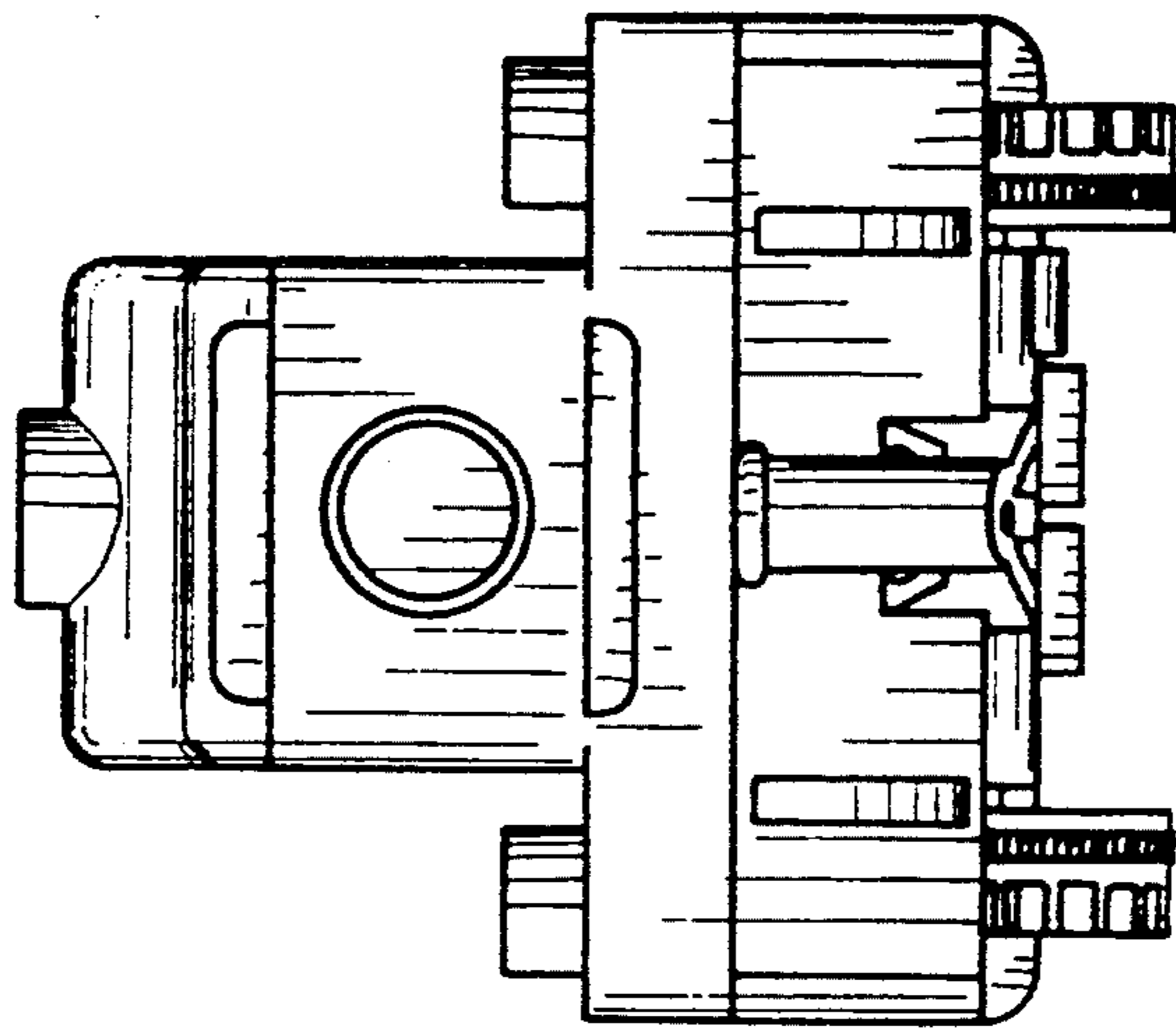


FIG. 4

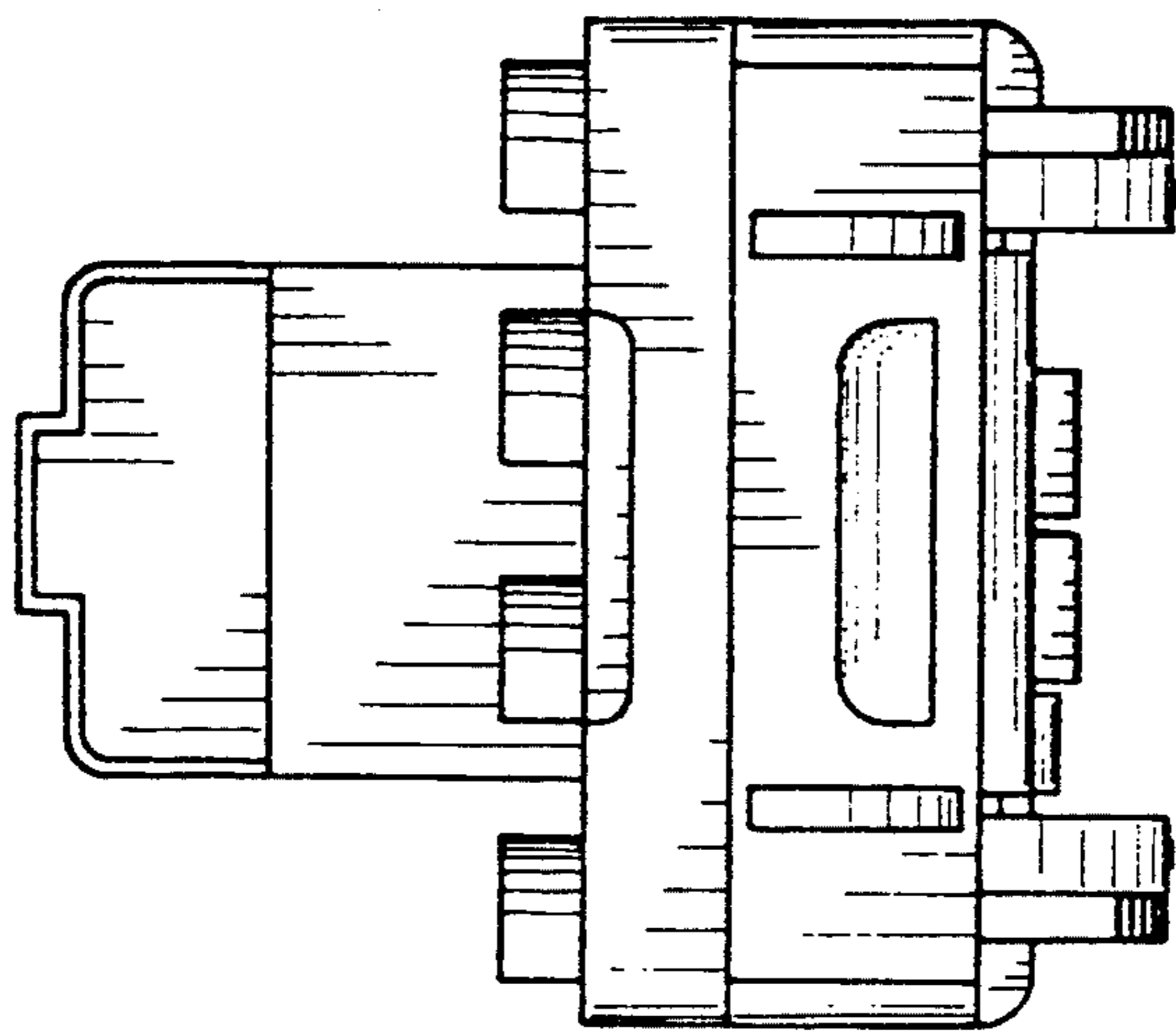


FIG. 2

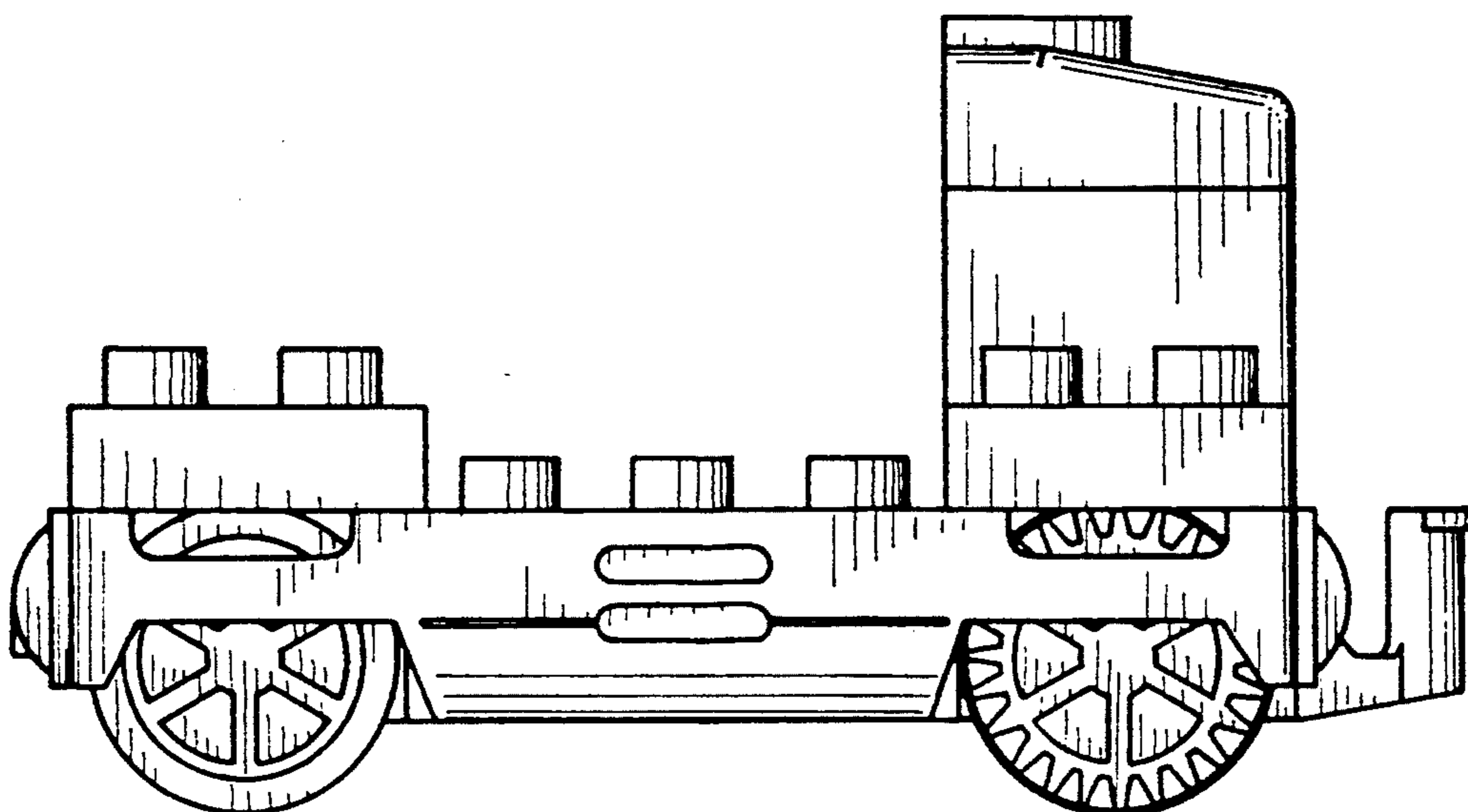


FIG. 3

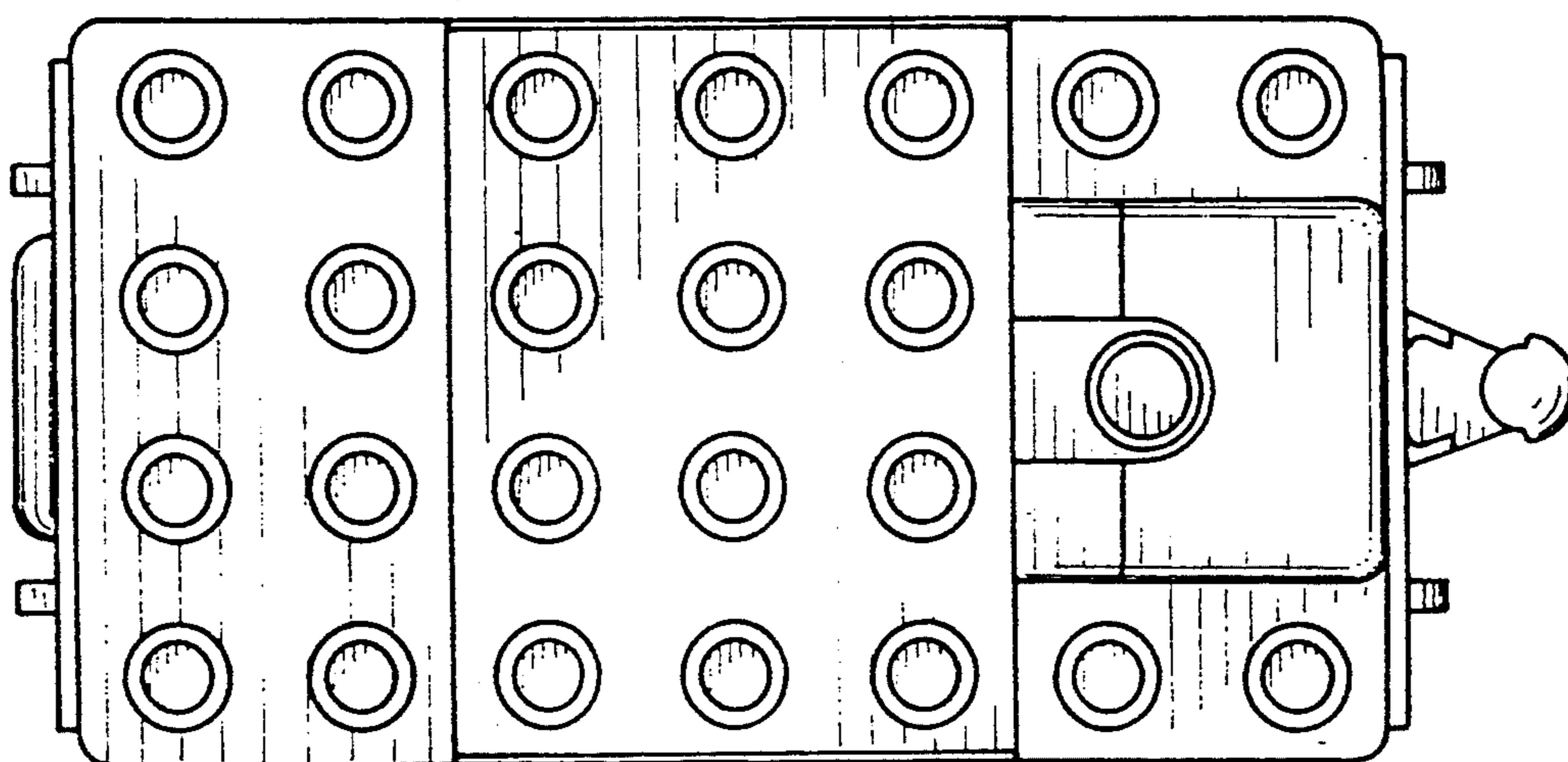


FIG. 5

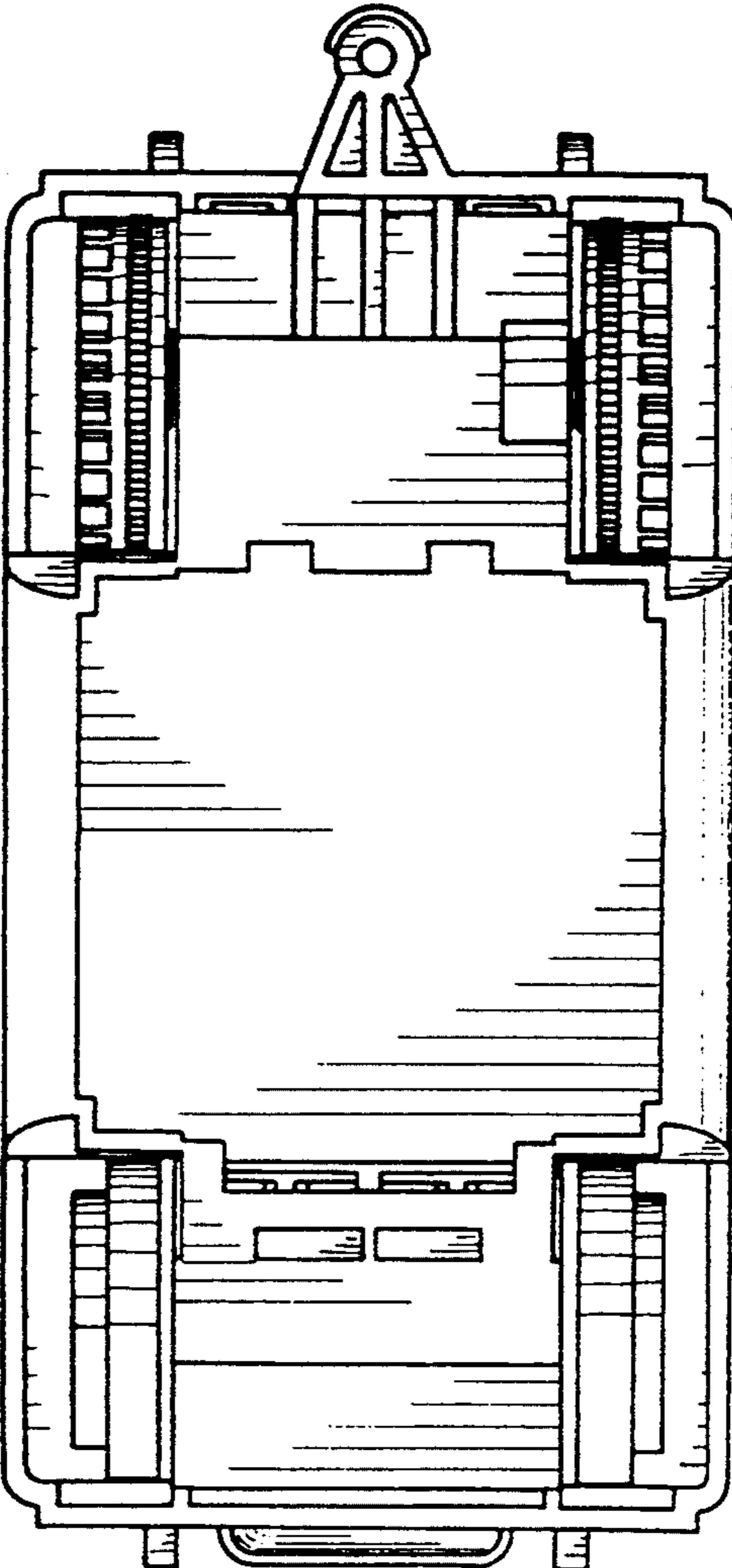


FIG. 6