



US00D346625S

United States Patent [19]

[11] Patent Number: **Des. 346,625**

Lettmoden

[45] Date of Patent: **** May 3, 1994**

[54] **MAGNETIC BINGO MARKER PICKUP TOOL**

4,172,597 10/1979 Smith et al. 273/148 R X
4,643,426 2/1987 Adams 273/148 R
4,977,941 12/1990 Henderson 273/148 R X

[76] Inventor: **William H. Lettmoden**, 59 Van Vlack Rd., Hopewell Junction, N.Y. 12533

Primary Examiner—Terry A. Wallace

[**] Term: **14 Years**

[57] **CLAIM**

[21] Appl. No.: **943,593**

The ornamental design for a magnetic bingo marker pickup tool, as shown and described.

[22] Filed: **Sep. 11, 1992**

DESCRIPTION

[52] U.S. Cl. **D21/48**

[58] Field of Search 273/148 R, , 239, 288, 273/269; 294/65.5; D21/1, 48

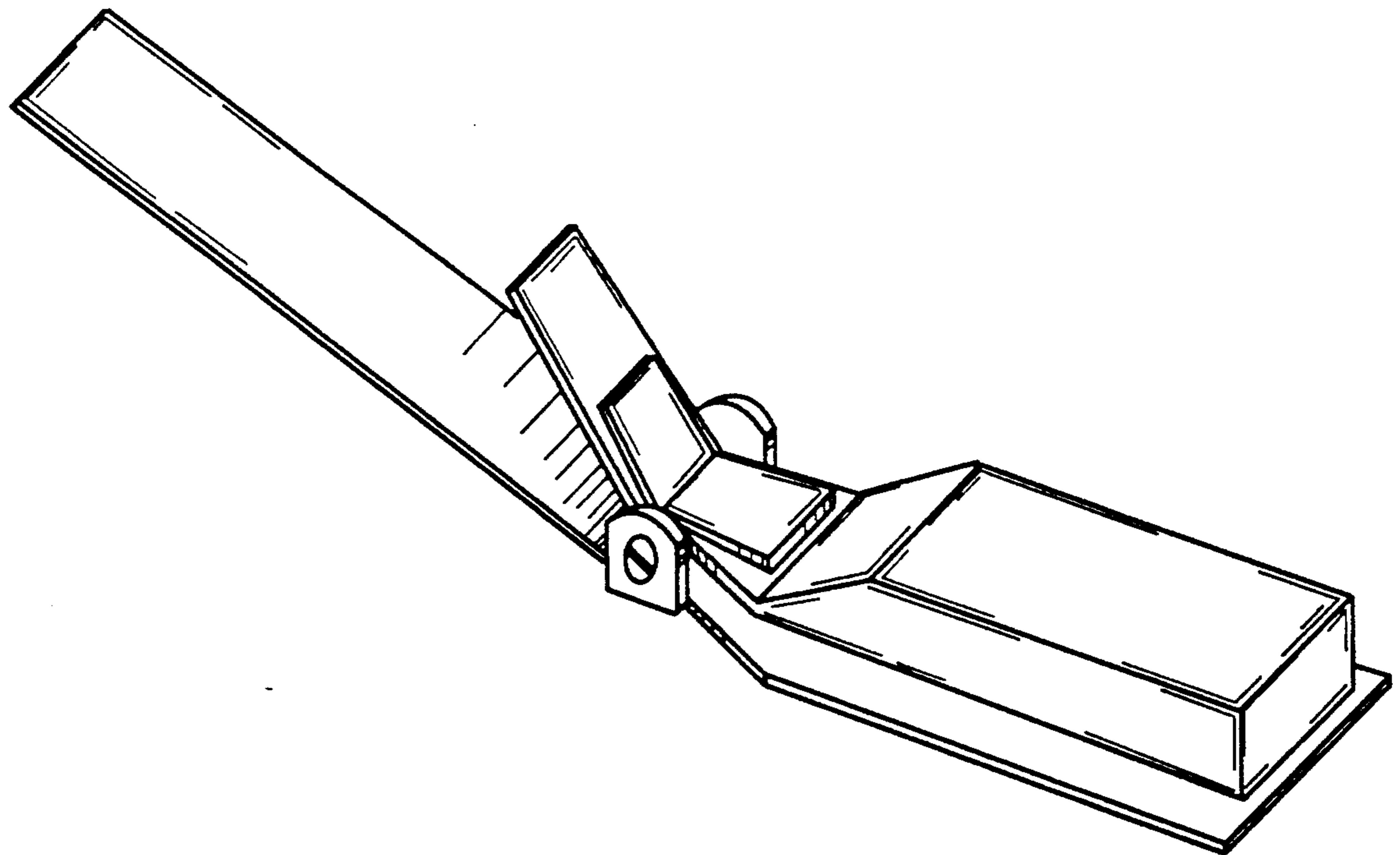
FIG. 1 is a perspective view of a magnetic bingo marker pickup tool showing my new design;
FIG. 2 is a right side elevational view thereof, the opposite side being a mirror image;
FIG. 3 is a front elevational view thereof;
FIG. 4 is a rear elevational view thereof; and,
FIG. 5 is a top plan view thereof.

[56] **References Cited**

U.S. PATENT DOCUMENTS

4,033,589 7/1977 Fernandez 273/148 R

The undisclosed bottom view being unornamented.



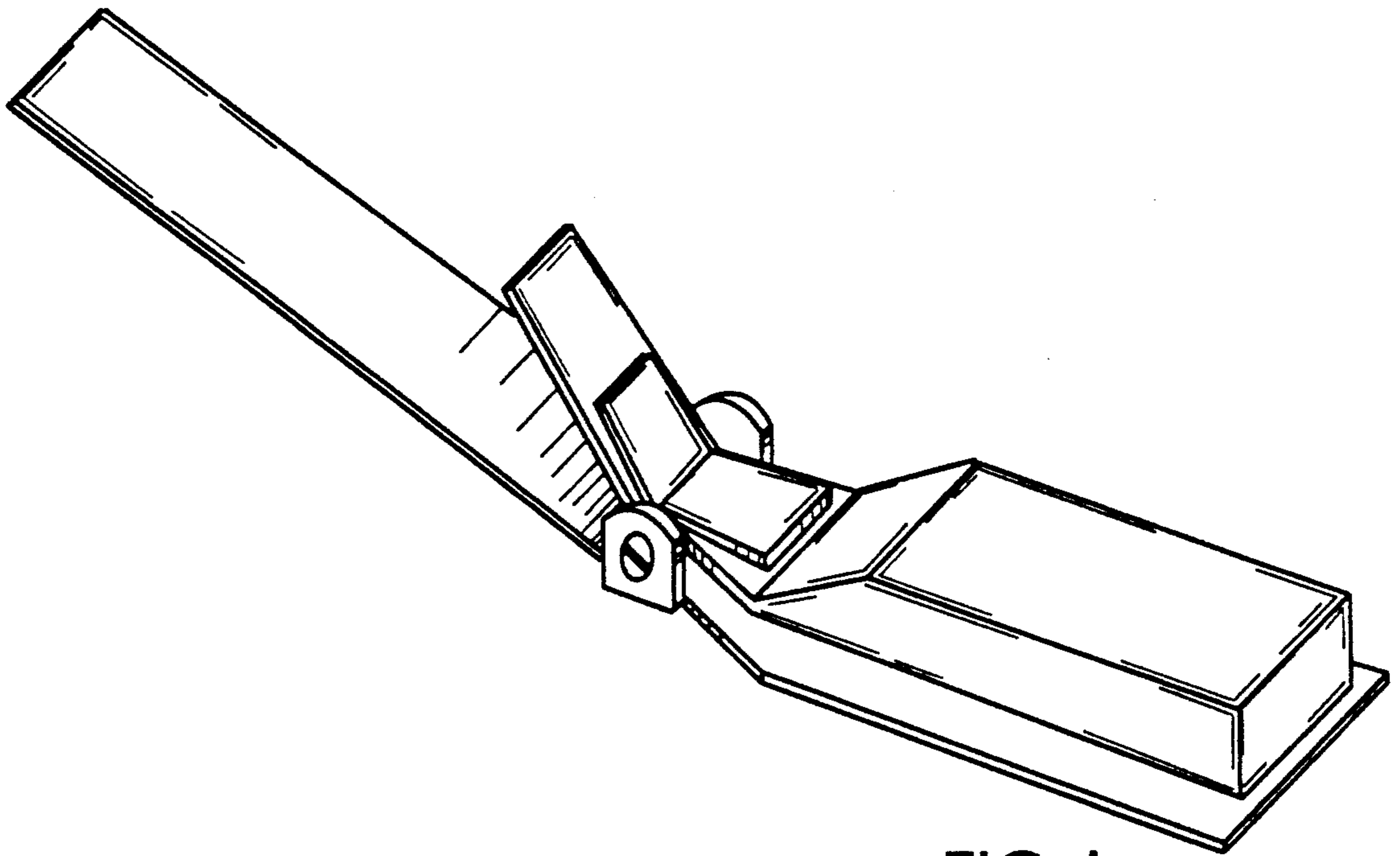


FIG. 1

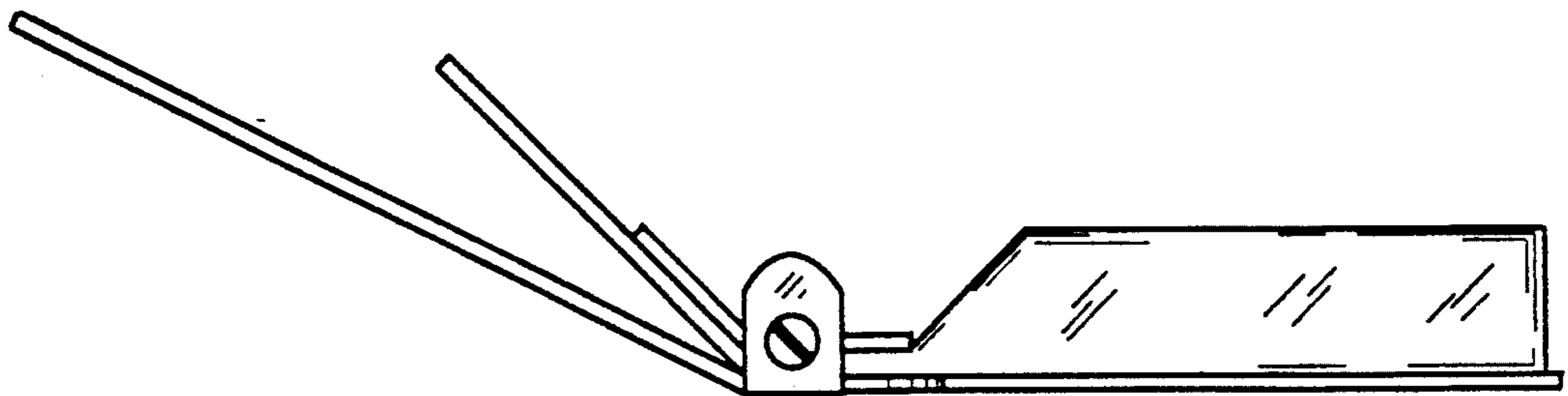


FIG. 2

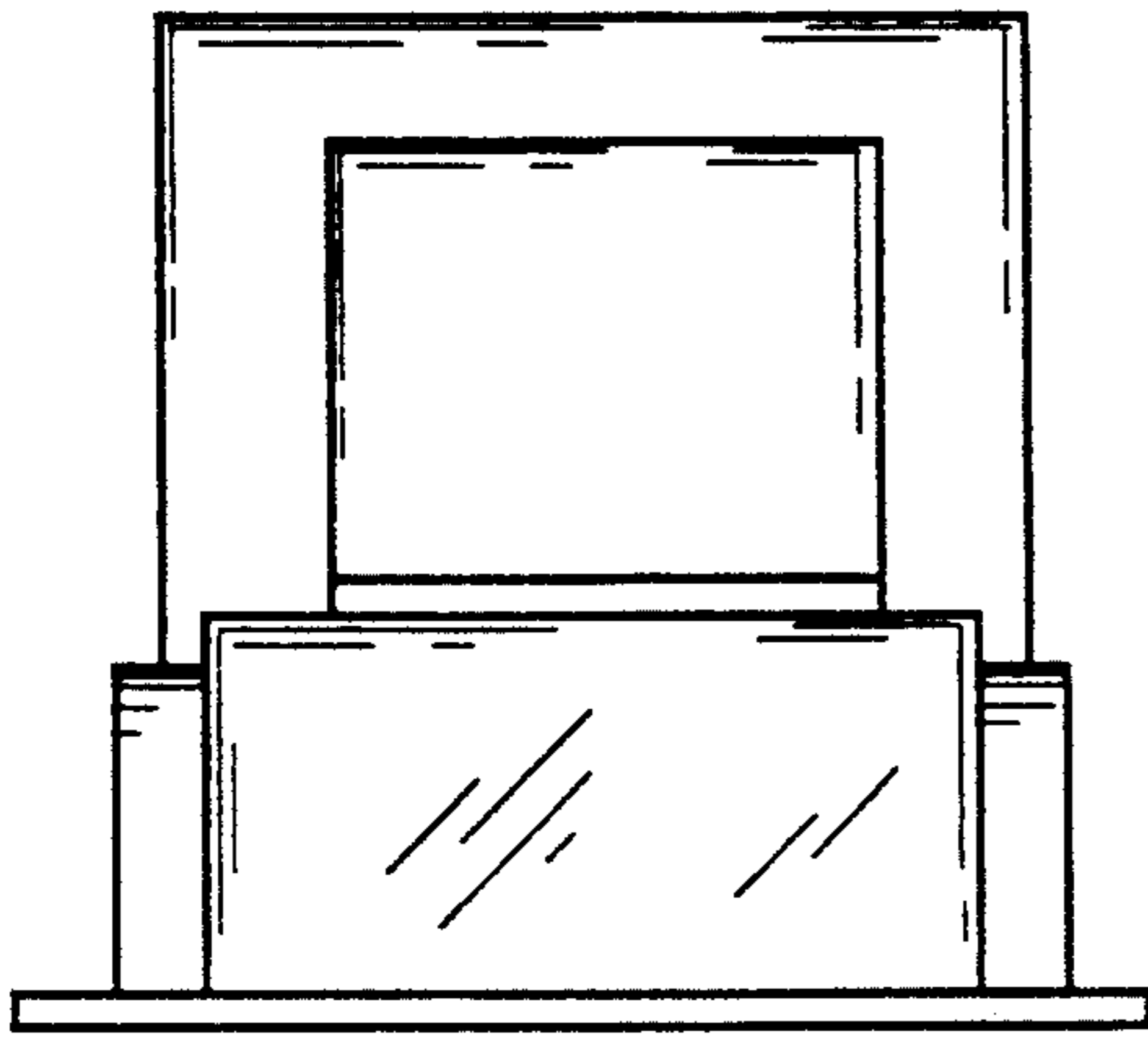


FIG. 3

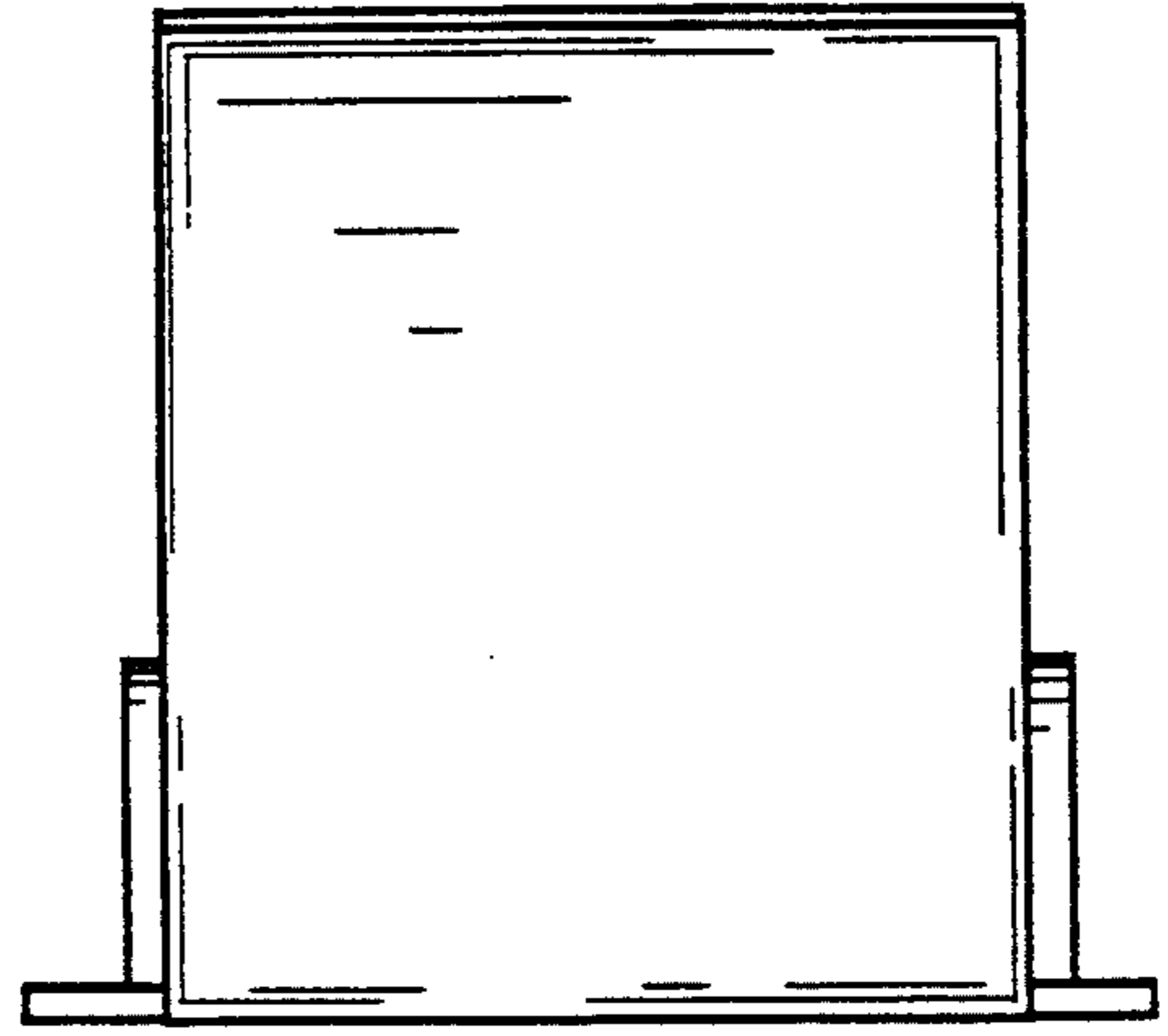


FIG. 4

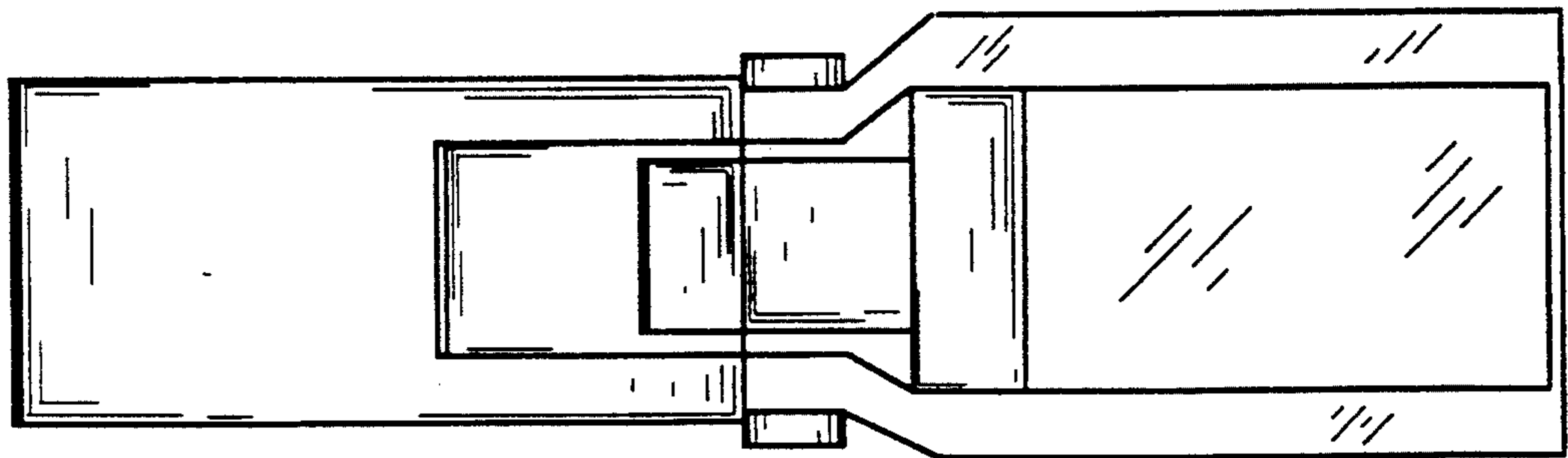


FIG. 5