



US00D346624S

United States Patent [19]

Skarin

[11] Patent Number: **Des. 346,624**

[45] Date of Patent: **** May 3, 1994**

[54] **SIGN HOLDER**

[75] Inventor: **Lars Skarin, Otterbäcken, Sweden**

[73] Assignee: **Partex Fabriksaktiebolag, Gullspang, Sweden**

[**] Term: **14 Years**

[21] Appl. No.: **938,645**

[22] Filed: **Sep. 2, 1992**

[30] **Foreign Application Priority Data**

Mar. 3, 1992 [SE] Sweden 92 0478

Mar. 3, 1992 [SE] Sweden 92-0477

[52] U.S. Cl. **D20/43**

[58] Field of Search 40/1, 124, 124.1, 124.2, 40/124.4, 641, 642, 644, 649, 650, 651, 658, 660, 661, 316; D20/10, 15, 40, 42, 43, 44, 99

[56] **References Cited**

U.S. PATENT DOCUMENTS

3,487,574 1/1970 Zoof 40/316

3,534,777 10/1970 Zoof 40/316
4,606,141 8/1986 Murray 40/642
4,649,658 3/1987 Sarton et al. 40/642
5,117,570 6/1992 Morosini 40/316

Primary Examiner—Wallace R. Burke
Assistant Examiner—Marcus Jackson
Attorney, Agent, or Firm—Sughrue, Mion, Zinn, Macpeak & Seas

[57] **CLAIM**

The ornamental design for a sign holder, as shown and described.

DESCRIPTION

FIG. 1 is a front, top and right side perspective view of a sign holder showing my new design;
FIG. 2 is a rear, bottom and left side perspective view thereof;
FIG. 3 is a front, top and right side perspective view of a transparent marking sleeve with a sign pocket forming a variant of my design; and,
FIG. 4 is a rear, bottom and left side perspective view thereof.

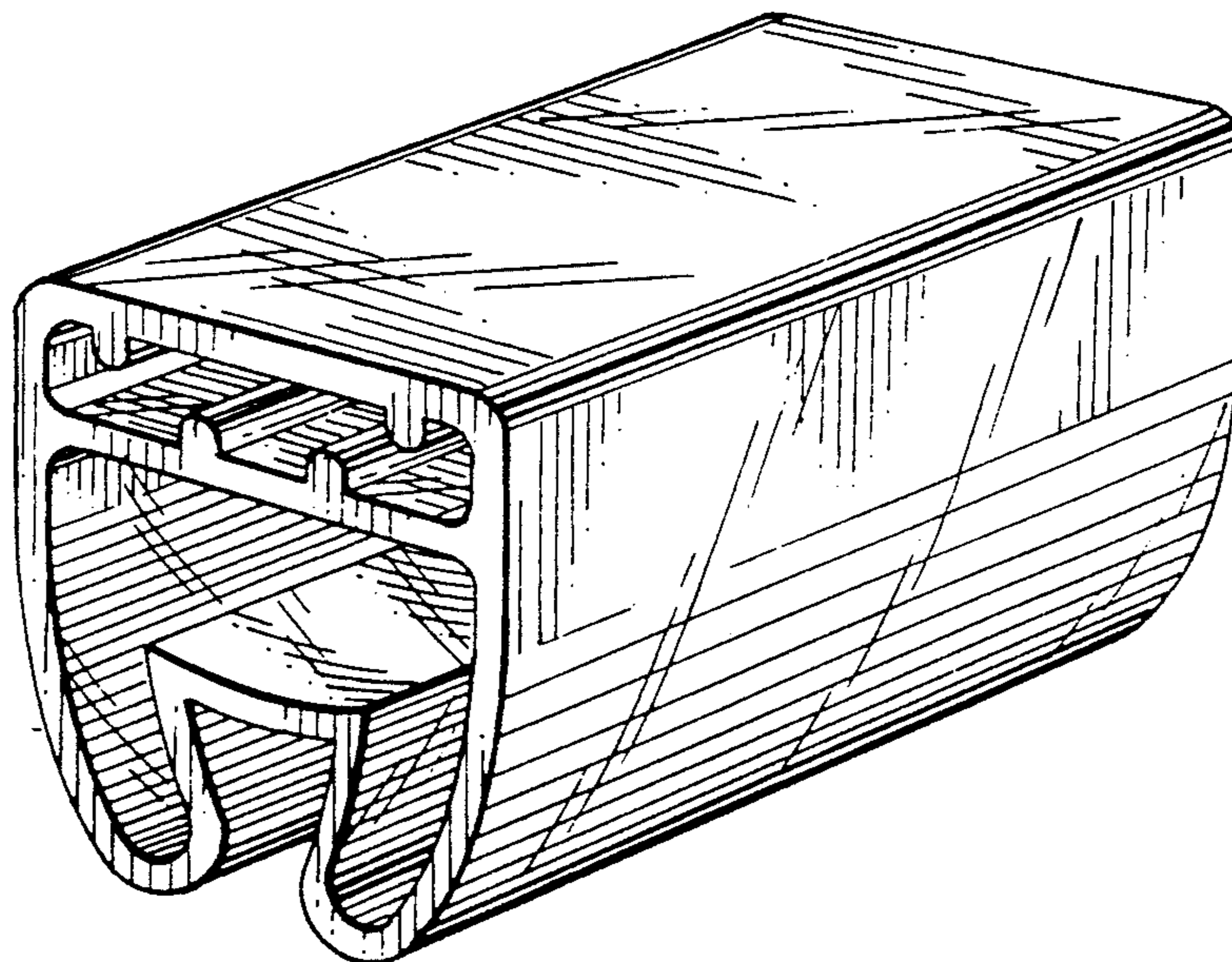


FIG. 1

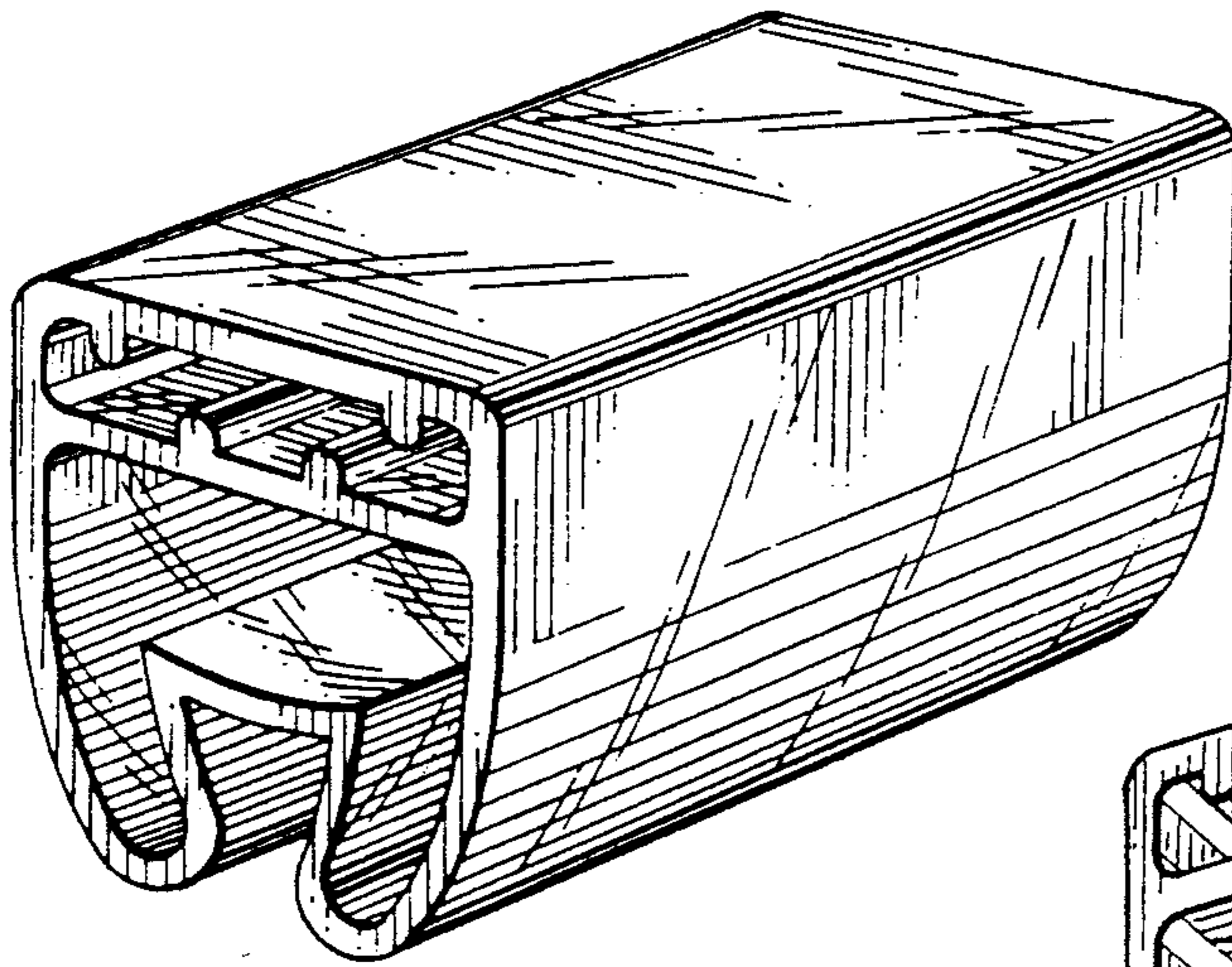


FIG. 2

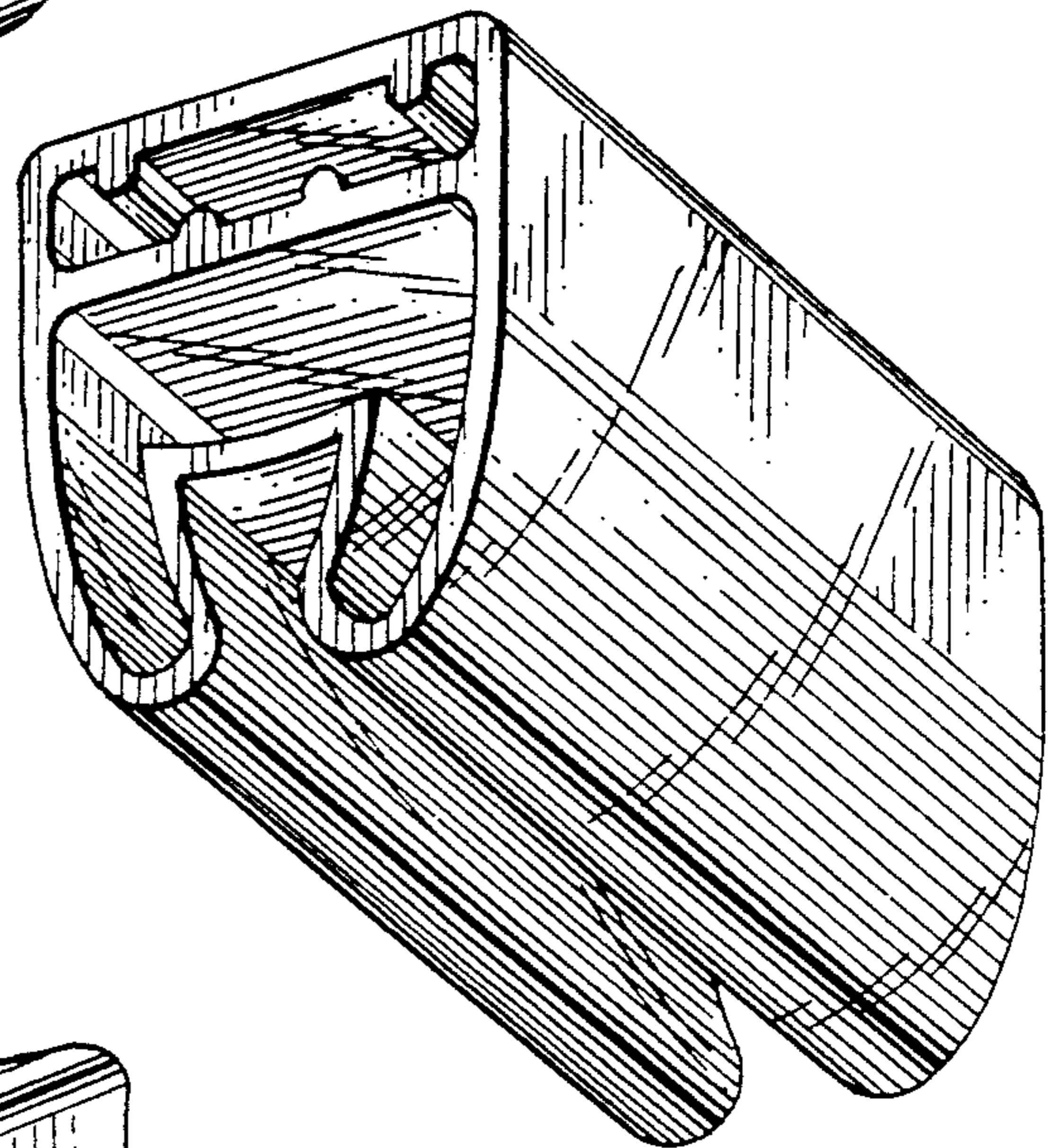


FIG. 3

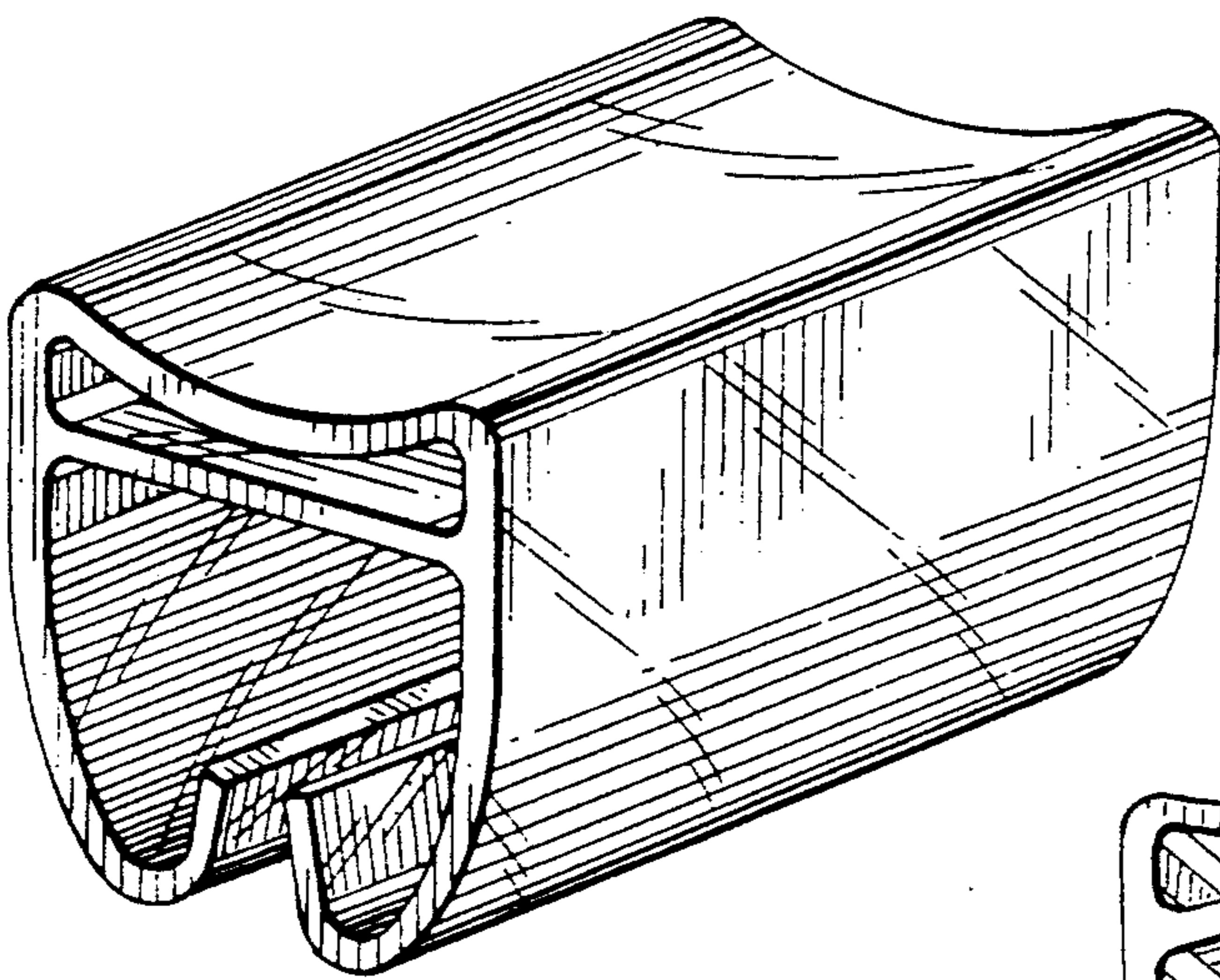


FIG. 4

