



US00D346622S

# United States Patent [19]

Miller

[11] Patent Number: **Des. 346,622**

[45] Date of Patent: **\*\* May 3, 1994**

[54] **COMBINED HOLDER FOR A NOTE PAD AND PEN**

[76] Inventor: **Donald R. Miller, 5742 S.E. 119th, Portland, Oreg. 97266**

[\*\*] Term: **14 Years**

[21] Appl. No.: **954,932**

[22] Filed: **Sep. 30, 1992**

[52] U.S. Cl. .... **D19/78; D19/84; D19/92**

[58] Field of Search ..... 19/35, 36, 45, 65, 75, 19/78, 81-85, 86, 89, 92, 95, 99, 100; 211/69.1-69.9, 13, 126; 206/214, 215, 224, 371, 555; D6/475

[56] **References Cited**

**U.S. PATENT DOCUMENTS**

- D. 119,165 2/1940 Guild ..... D19/92
- D. 140,921 4/1945 Vermann ..... D19/92 X
- D. 156,538 12/1949 Kingmon ..... D19/89 X
- D. 162,797 4/1951 Dubinetz et al. .... D19/78
- D. 171,761 3/1954 Henning et al. .... D19/45 X
- D. 185,169 5/1959 Parker ..... D19/85 X

- D. 194,007 11/1962 Goodson ..... D19/92
- D. 209,488 12/1967 Wakai ..... D19/78
- D. 290,024 5/1987 Hennigan et al. .... D19/78
- D. 291,704 9/1987 Zucker ..... D19/78
- D. 337,788 7/1993 Lian-Mey ..... D19/86 X
- 4,809,141 2/1989 Leopoldi et al. .... D19/84 X

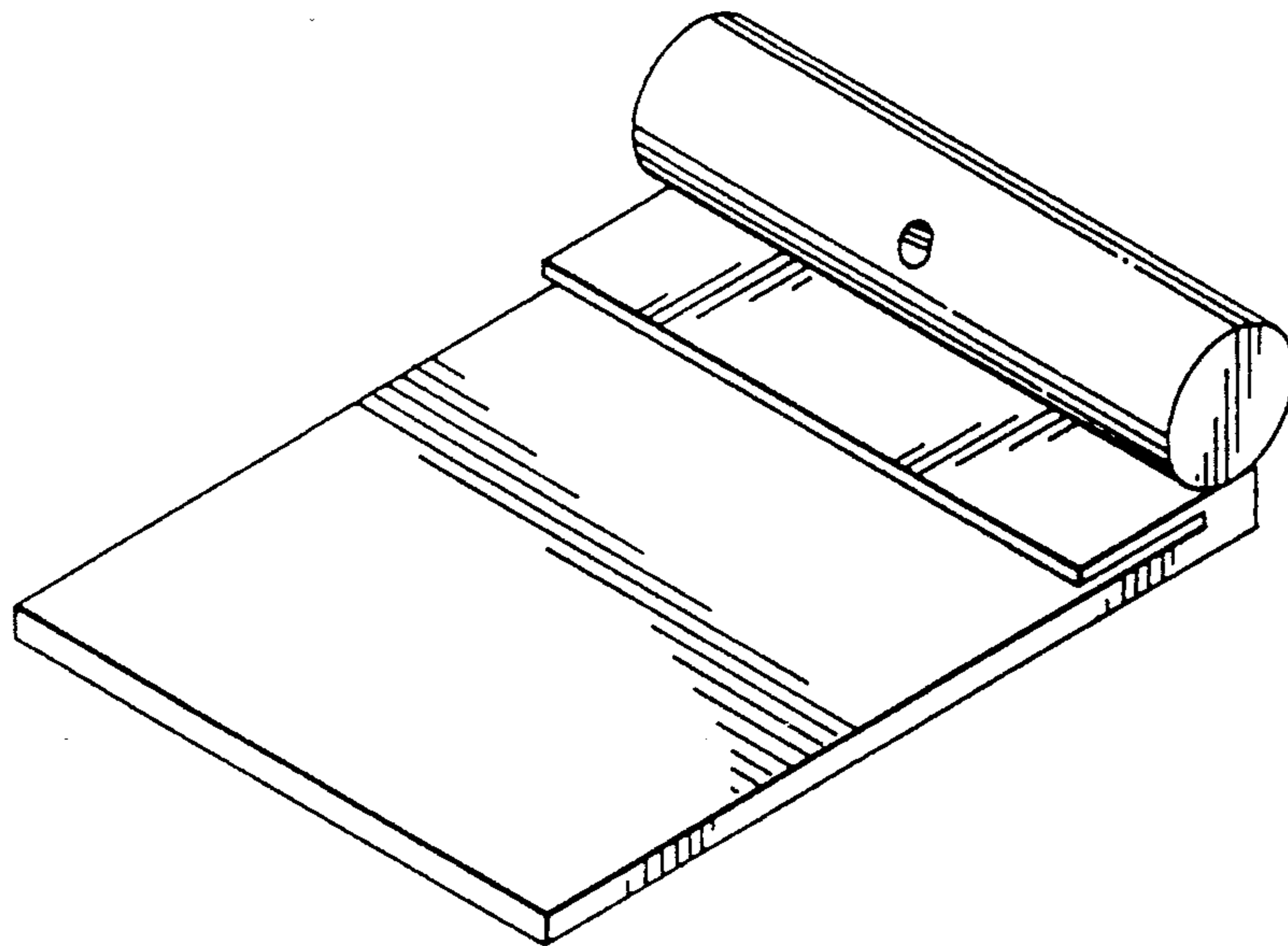
*Primary Examiner*—Nelson C. Holtje  
*Assistant Examiner*—Martie Thompson  
*Attorney, Agent, or Firm*—Chernoff, Vilhauer, McClung & Stenzel

[57] **CLAIM**

The ornamental design for a combined holder for a note pad and pen, as shown and described.

**DESCRIPTION**

FIG. 1 is a top, right front perspective view of a combined holder for a note pad and pen showing my new design; FIG. 2 is a side elevational view thereof, the opposite side being a mirror image of that shown; FIG. 3 is a top plan view thereof; FIG. 4 is a bottom plan view thereof; FIG. 5 is a rear elevational view thereof; and, FIG. 6 is a front elevational view thereof.



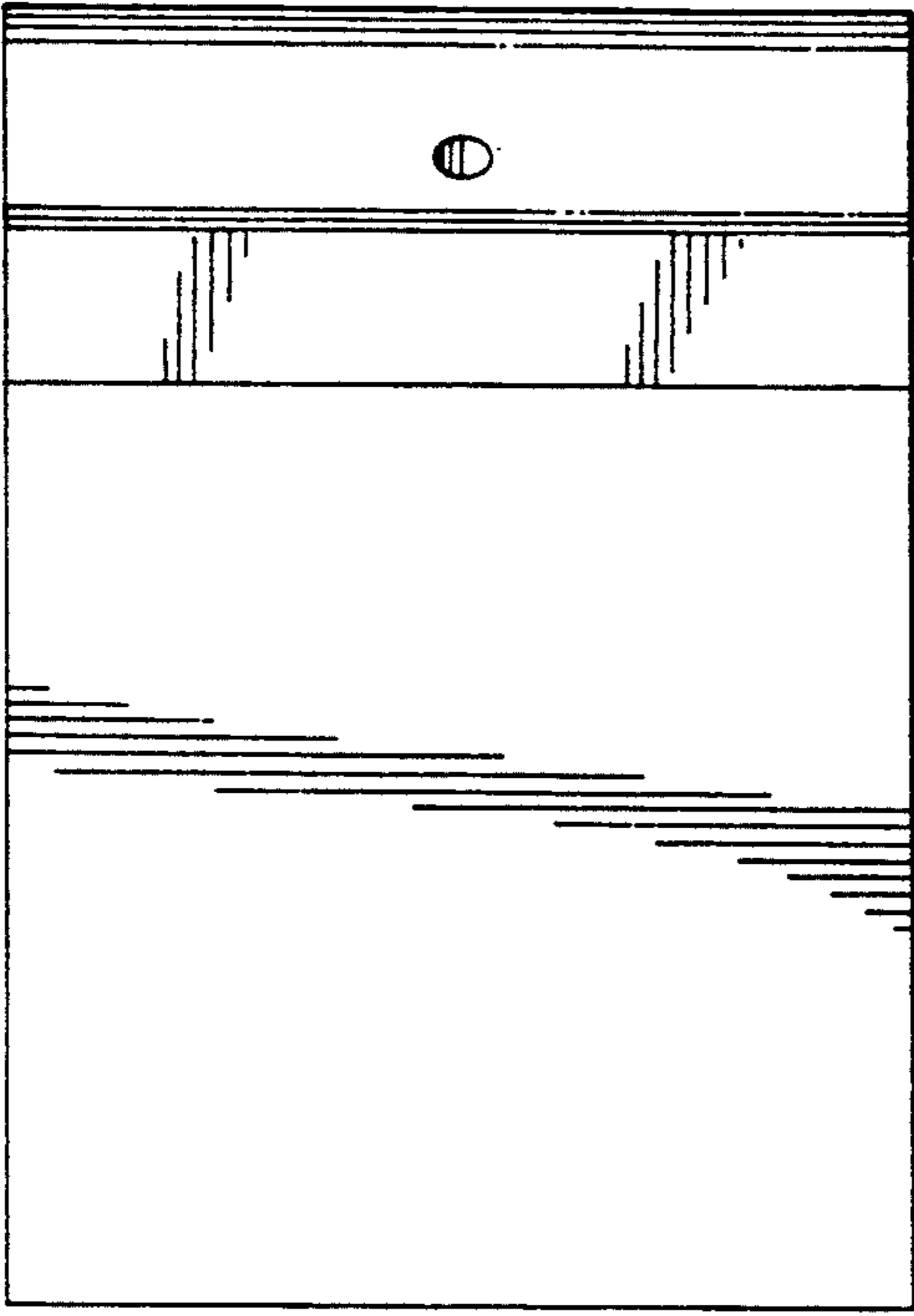


Fig. 3

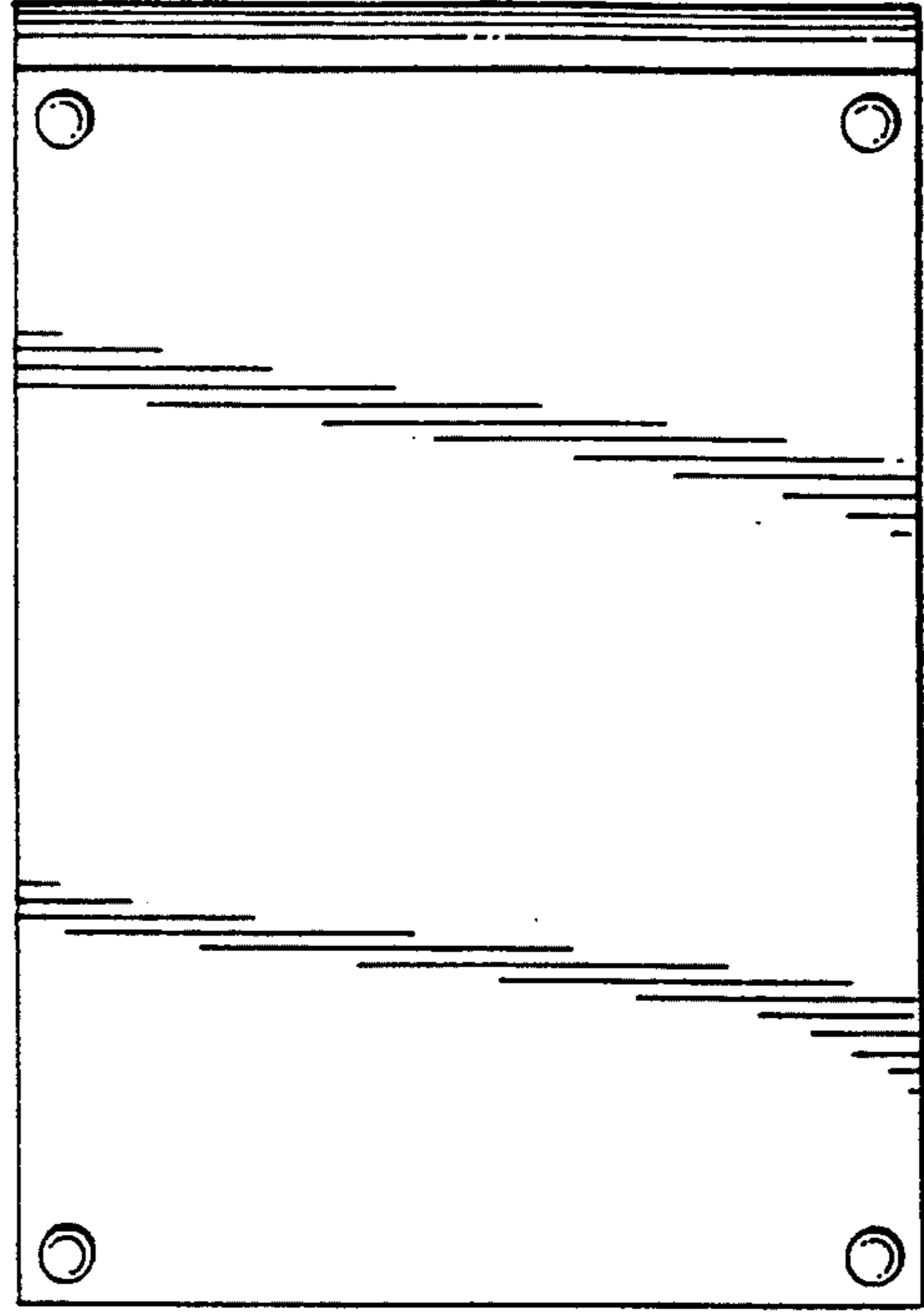


Fig. 4

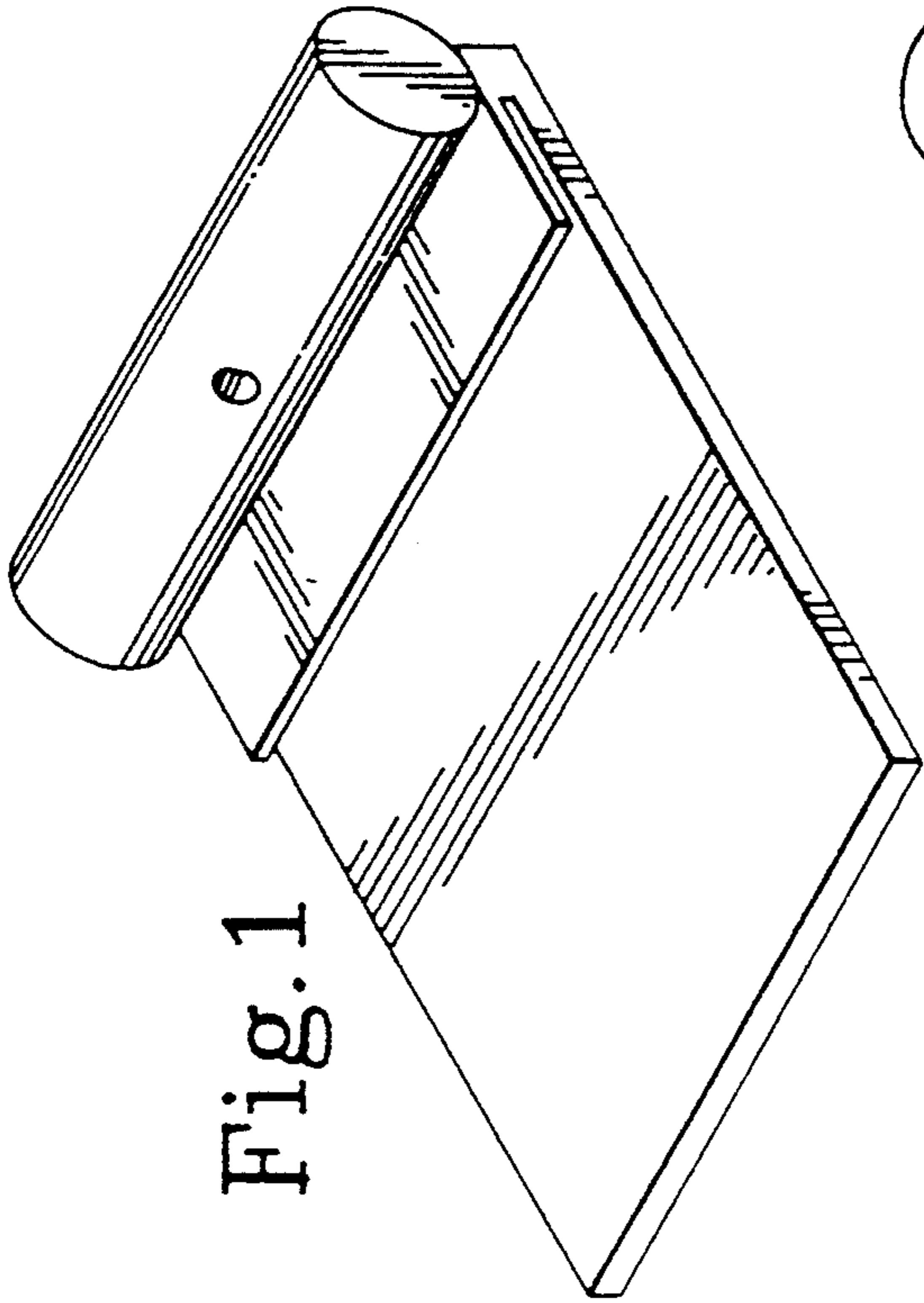


Fig. 1

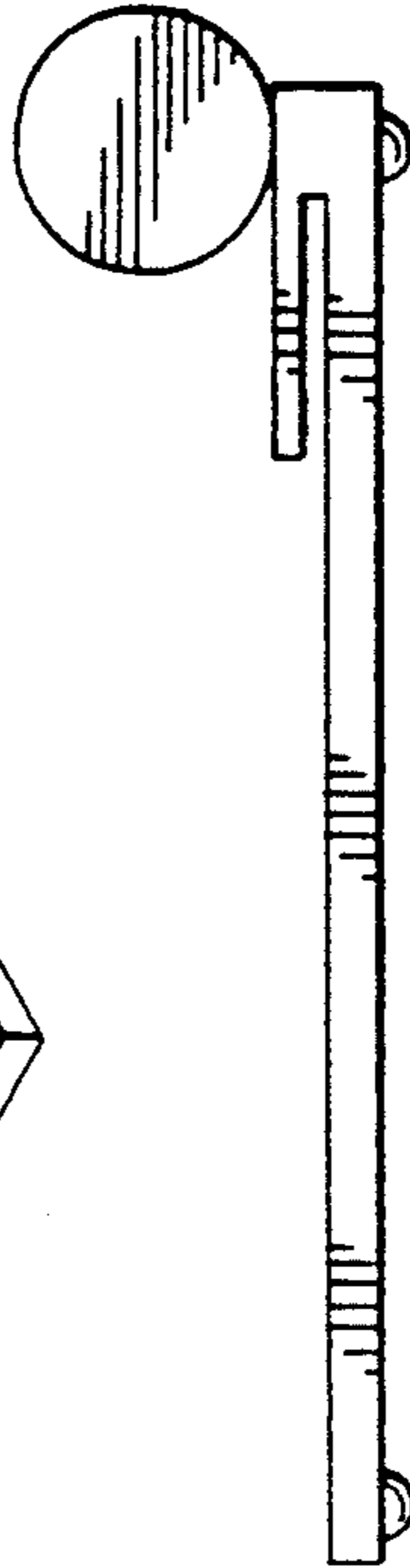


Fig. 2

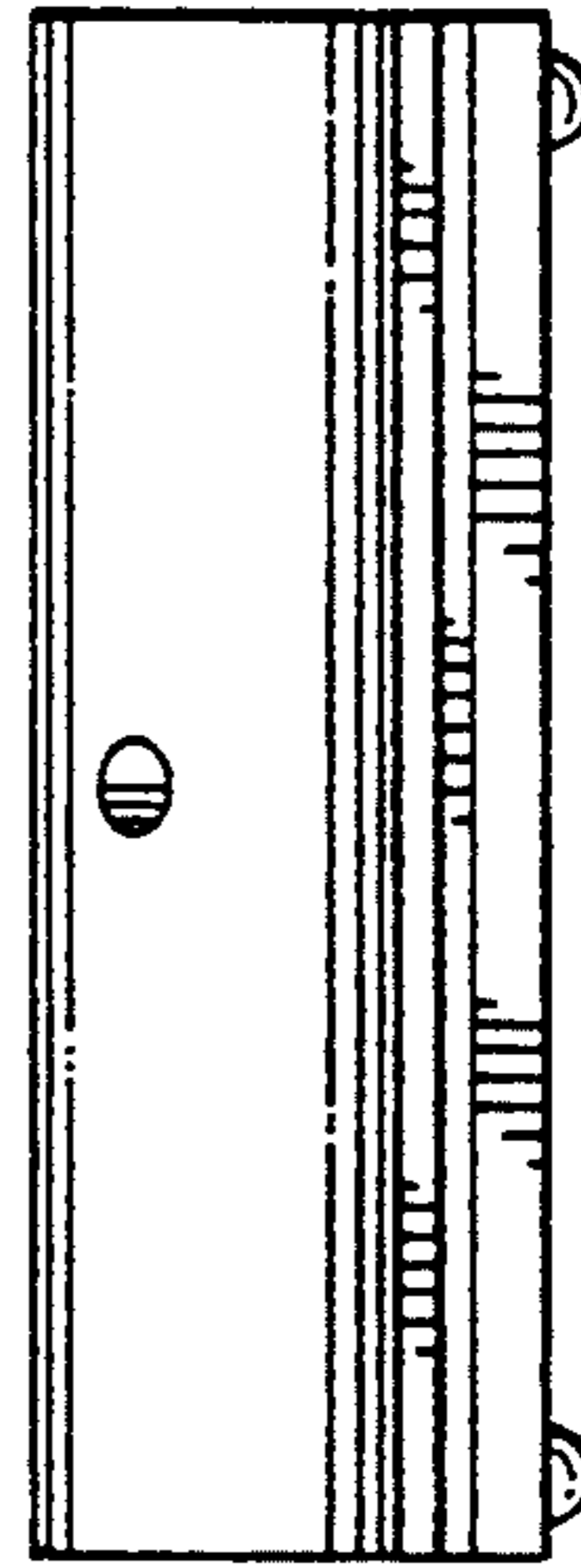


Fig. 6

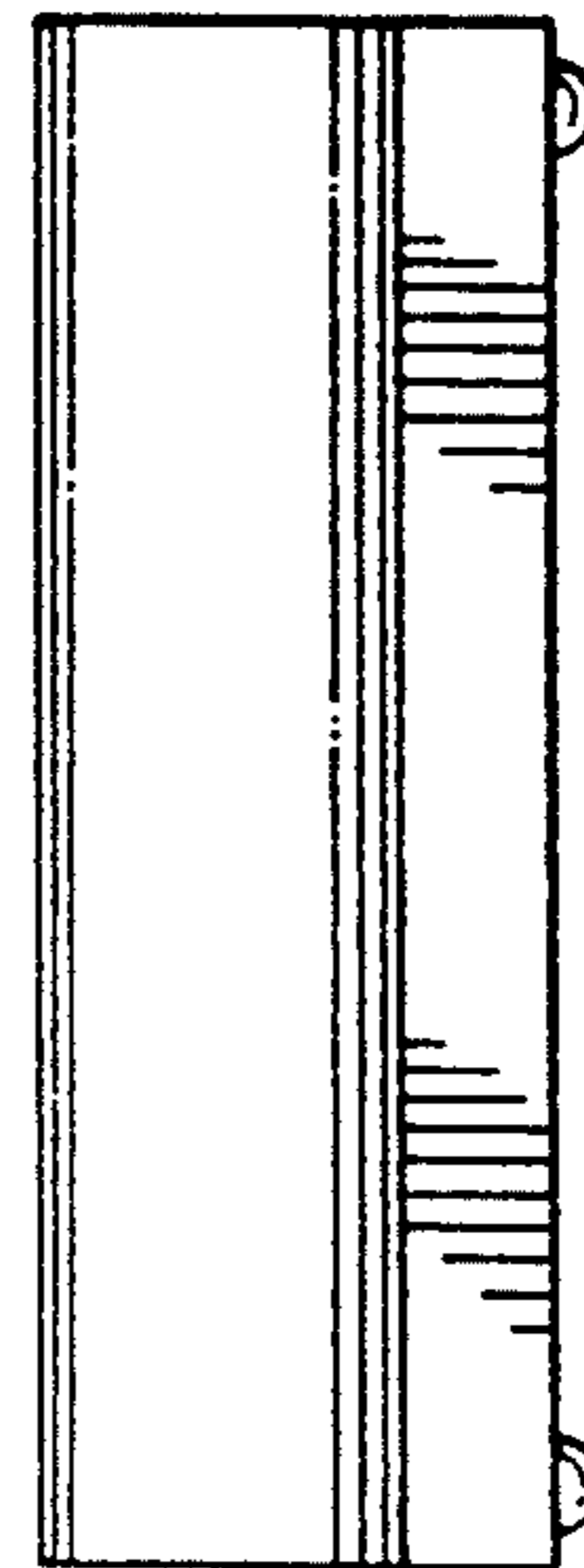


Fig. 5