



US00D346620S

United States Patent [19]

McSorley

[11] Patent Number: **Des. 346,620**

[45] Date of Patent: **** May 3, 1994**

[54] **ELECTRONIC BOOK FOR DISPLAYING SHEET MUSIC**

[76] Inventor: **Jeffrey E. McSorley**, 861 Parklyn Way, Ferndale, Wash. 98248

[**] Term: **14 Years**

[21] Appl. No.: **1,123**

[22] Filed: **Nov. 4, 1992**

[52] U.S. Cl. **D19/59**

[58] Field of Search 434/114, 156, 308, 307; D19/59, 60, 62; D21/13; D14/124, 299

[56] **References Cited**

U.S. PATENT DOCUMENTS

D. 35,317	11/1901	Lawton	D17/99
D. 256,028	7/1980	Lawrence et al.	D19/60
D. 269,683	7/1983	Barbour	D17/99
D. 275,402	9/1984	O'Brien	.	
D. 280,530	9/1985	Sugiyama	D19/60

5,167,508 12/1992 McTaggart 434/308 X

Primary Examiner—Wallace R. Burke
Assistant Examiner—Pamela Burgess
Attorney, Agent, or Firm—Terry M. Gernstein

[57] **CLAIM**

The ornamental design for a electronic book for displaying sheet music, as shown and described.

DESCRIPTION

FIG. 1 is a top, end and side perspective view of the electronic book for displaying sheet music showing my new design;

FIG. 2 is an enlarged scale front elevational view thereof;

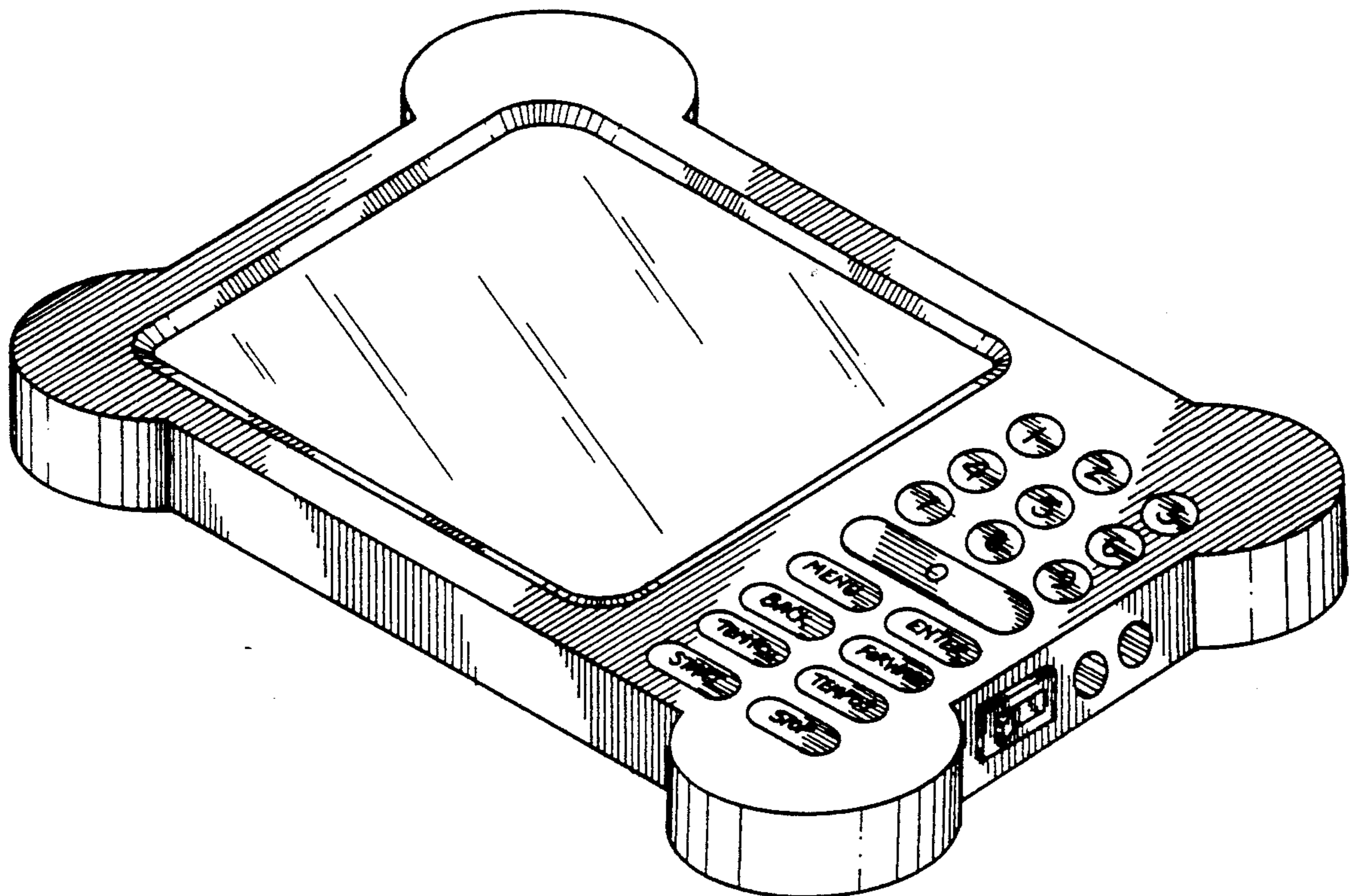
FIG. 3 is a rear elevational view thereof;

FIG. 4 is an end elevational view thereof;

FIG. 5 is an end elevational view thereof;

FIG. 6 is a top plan view thereof; and,

FIG. 7 is a bottom plan view thereof.



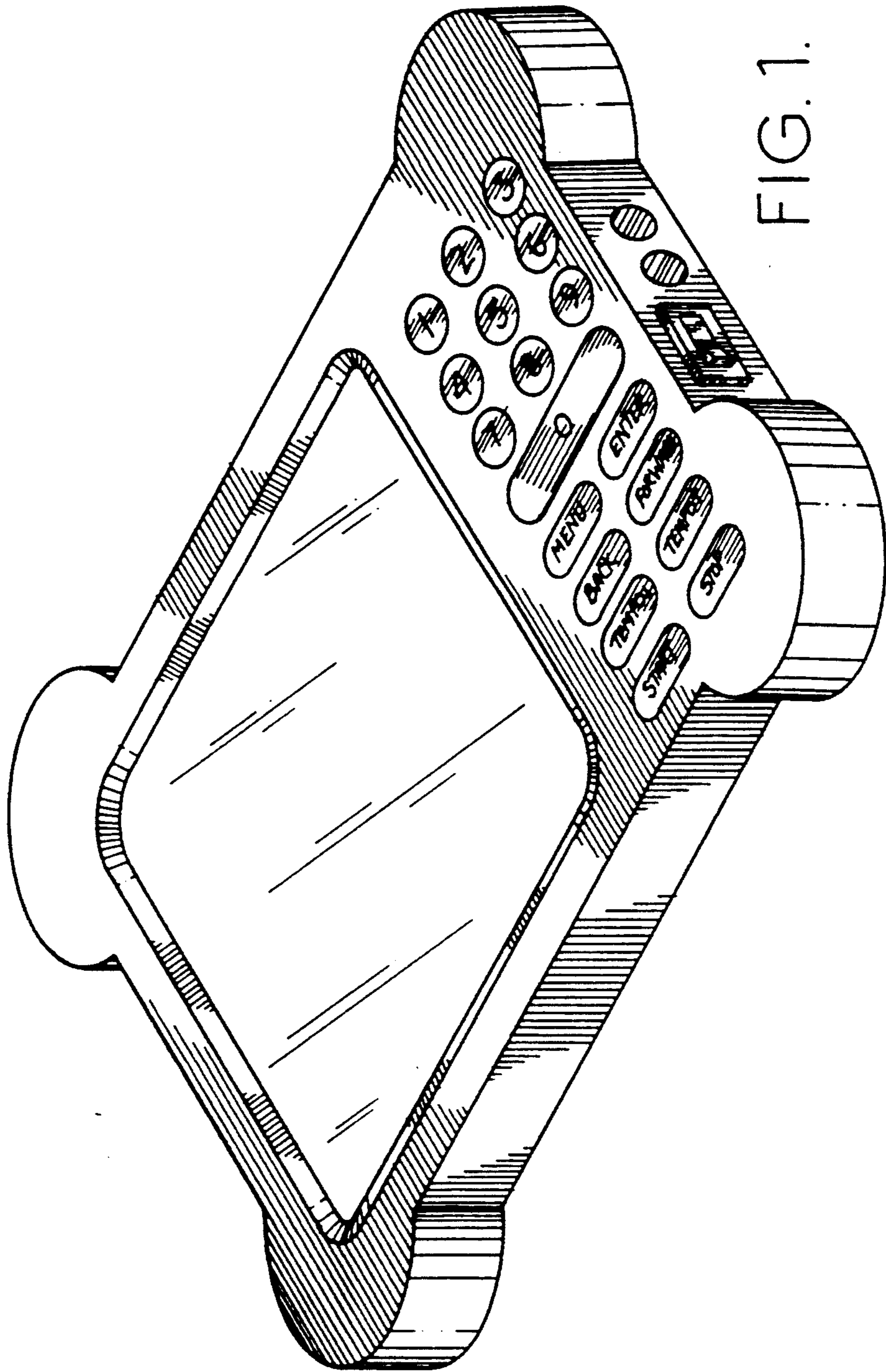


FIG. 1.

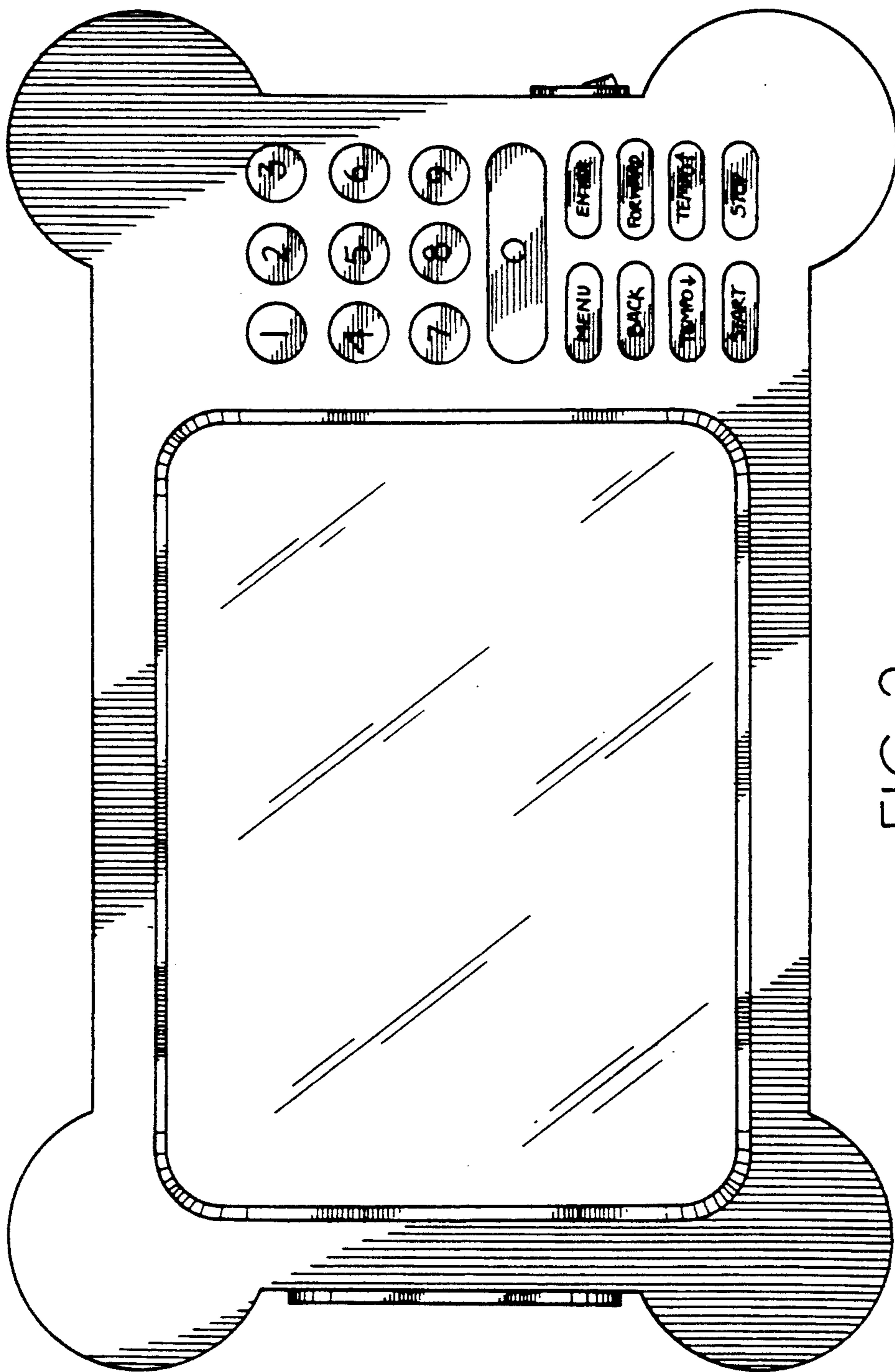


FIG. 2.

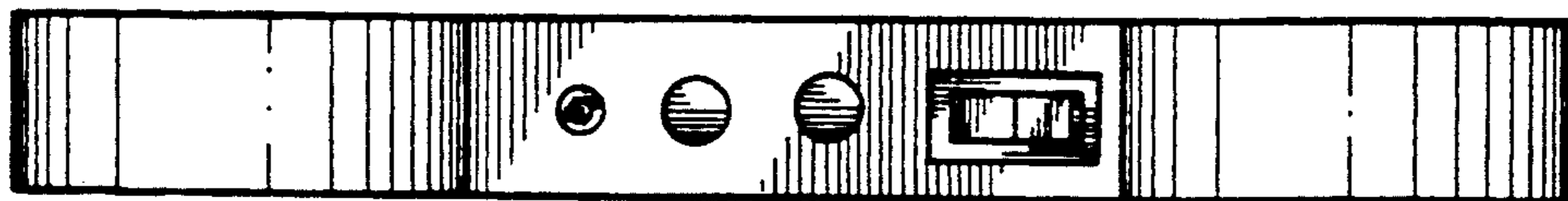


FIG. 4.

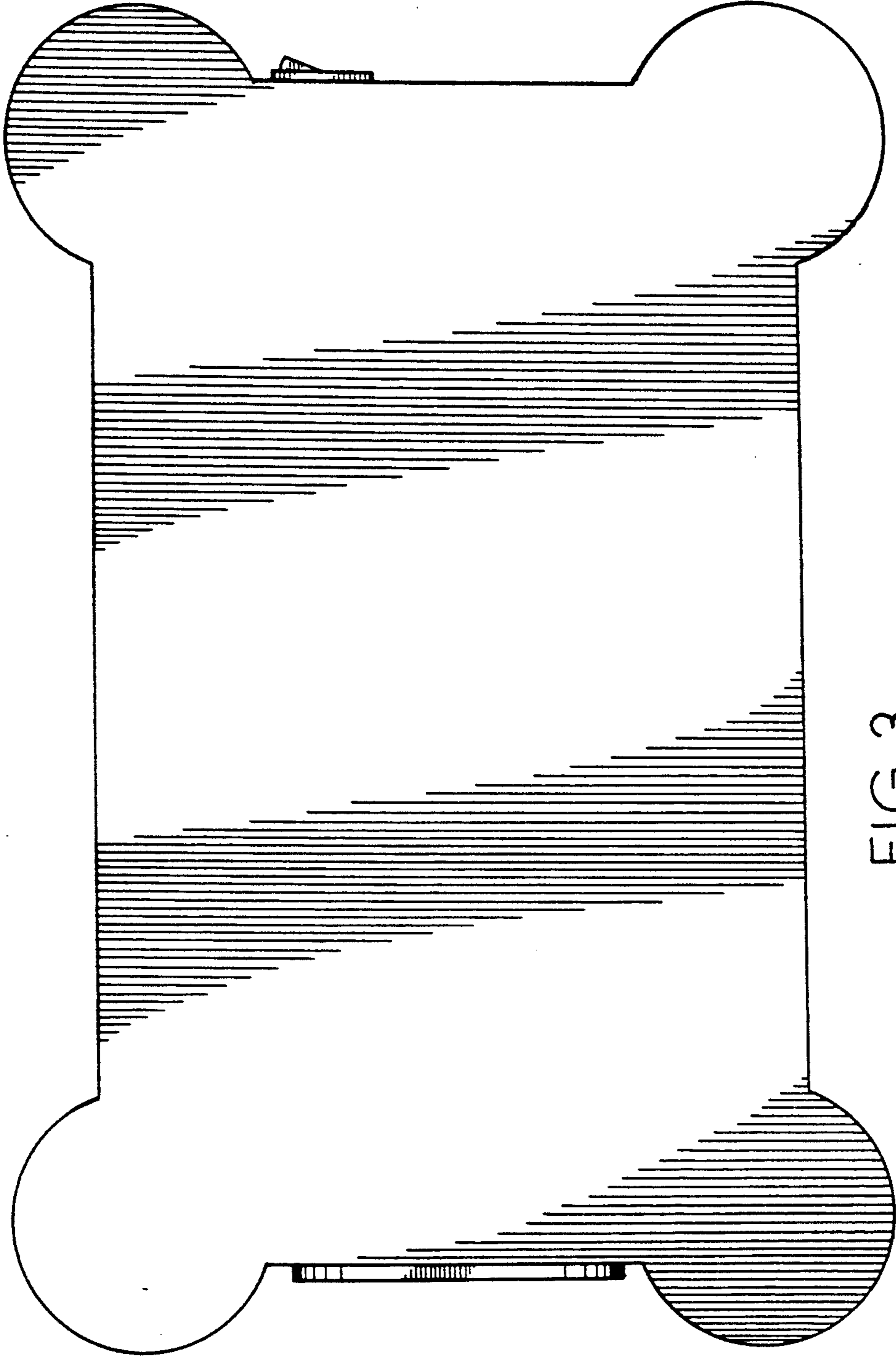


FIG. 3.

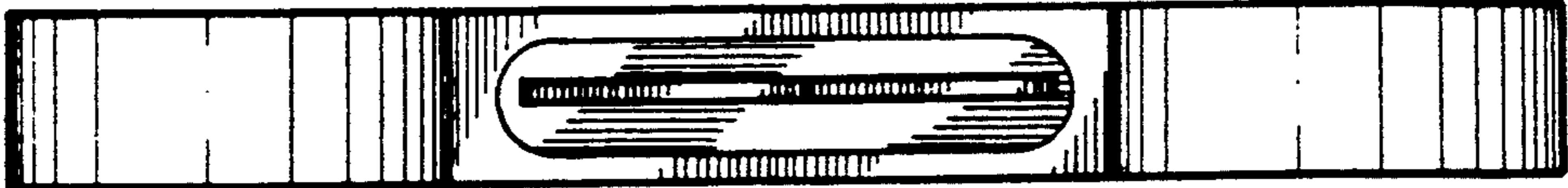


FIG. 5.

FIG. 7.

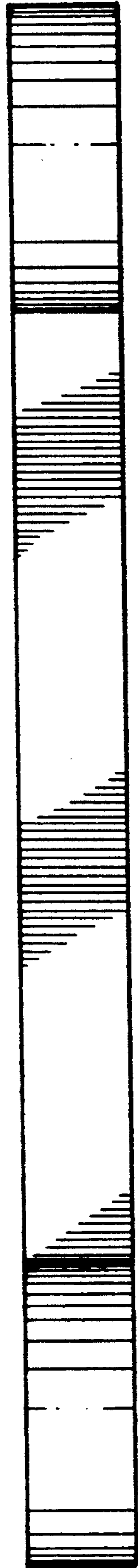


FIG. 6.

