



US00D346613S

United States Patent [19]

[11] Patent Number: **Des. 346,613**

Simm et al.

[45] Date of Patent: **** May 3, 1994**

[54] PROTECTIVE GOGGLES

[76] Inventors: **Kendell A. Simm**, 8832 Sapphire Ave., Westminster, Calif. 92683;
Issac J. Waksul, 1900 E. Ocean Blvd., Suite 106, Long Beach, Calif. 90802

[**] Term: **14 Years**

[21] Appl. No.: **923,180**

[22] Filed: **Aug. 3, 1992**

[52] U.S. Cl. **D16/107**

[58] Field of Search 351/44, 51, 87-89, 351/103, 105, 111, 114, 116, 119, 122, 123, 138; 2/439, 449, 452; D16/102, 107, 111-119, 121, 127; D29/8, 9

2,406,598	8/1946	Flood .	
2,504,524	4/1950	Hayward	D16/107
2,758,307	8/1956	Treiber	D29/8
3,214,768	2/1963	Bohner .	
3,369,255	2/1967	Bolle .	
3,944,344	3/1976	Wichers	351/114
4,185,329	1/1980	Sarazen .	
4,796,621	1/1989	Barle et al. .	
4,901,374	2/1990	Van Der Woude .	
4,944,294	7/1990	Borek .	
4,977,627	12/1990	Metcalf et al. .	
5,184,354	2/1993	Alfaro	2/452

Primary Examiner—Bernard Ansher

Assistant Examiner—R. Barkai

Attorney, Agent, or Firm—Howard A. Kenyon

[57] CLAIM

The ornamental design for protective goggles, as shown and described.

DESCRIPTION

FIG. 1 is a top front right side perspective view of protective goggles showing our new design, the broken line showing of the user is for illustrative purposes only and forms no part of the claimed design;

FIG. 2 is a right side elevation view thereof;

FIG. 3 is a top plan view thereof;

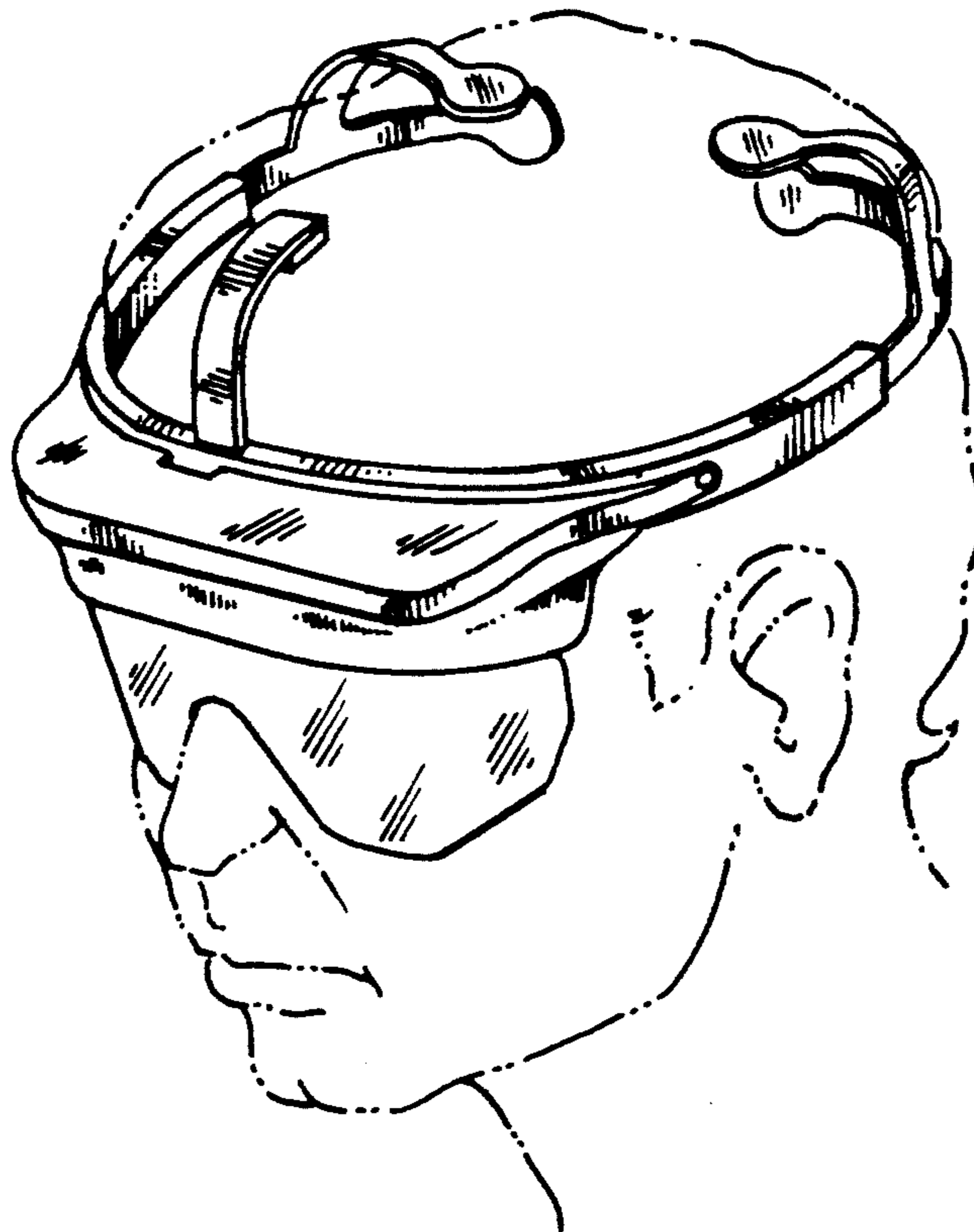
FIG. 4 is a left side elevation view thereof; and,

FIG. 5 is a front elevation view thereof.

[56] References Cited

U.S. PATENT DOCUMENTS

D. 166,257	3/1952	Jones	D16/107
D. 229,974	1/1974	Wichers	D16/115
D. 249,597	9/1978	Dillon	D16/112
D. 328,084	7/1992	Salce	D29/9
865,484	9/1890	Ellis .	
1,191,274	7/1916	Brayton .	
2,235,599	4/1939	Woodard .	
2,360,482	10/1944	Evans .	



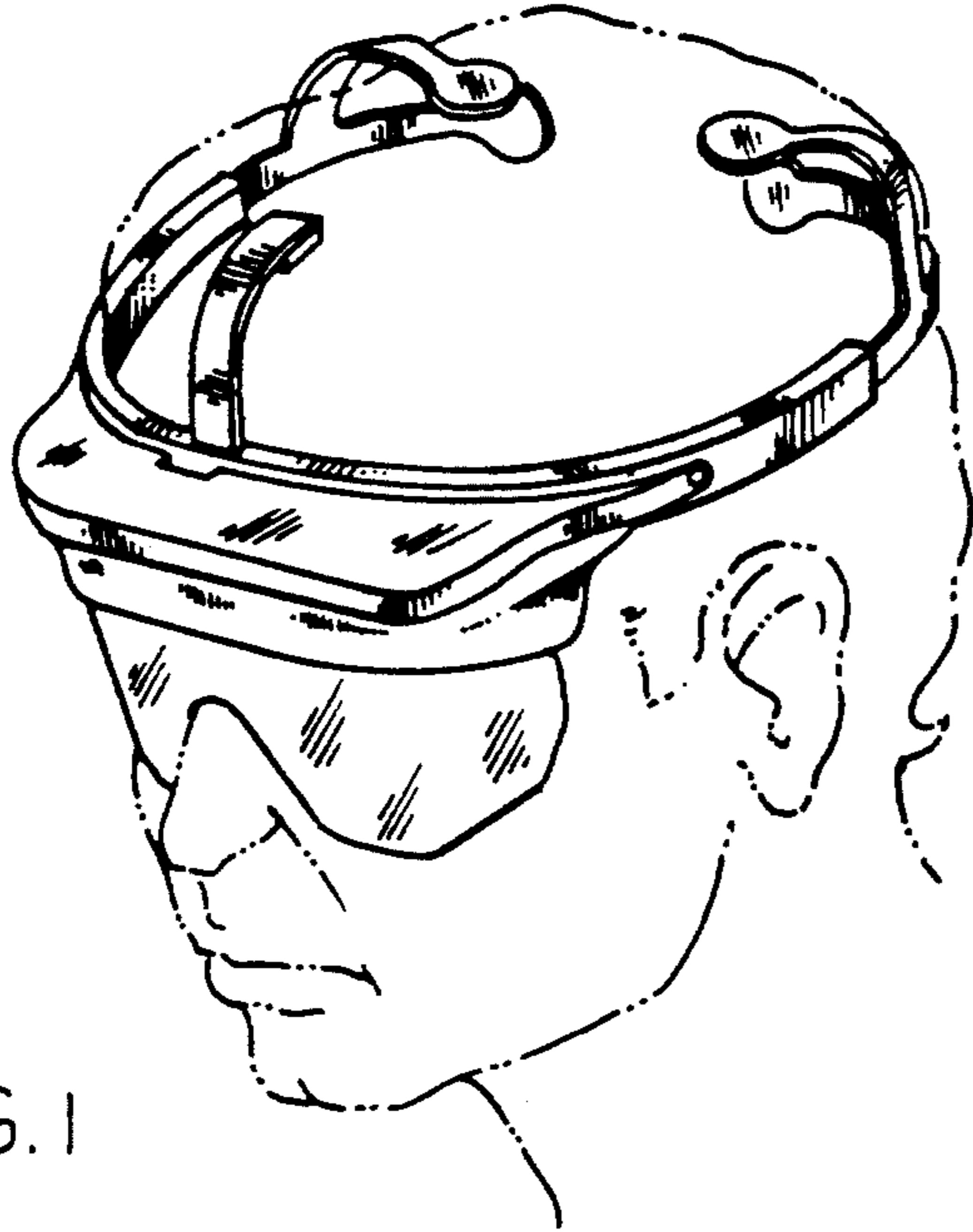


FIG. 1

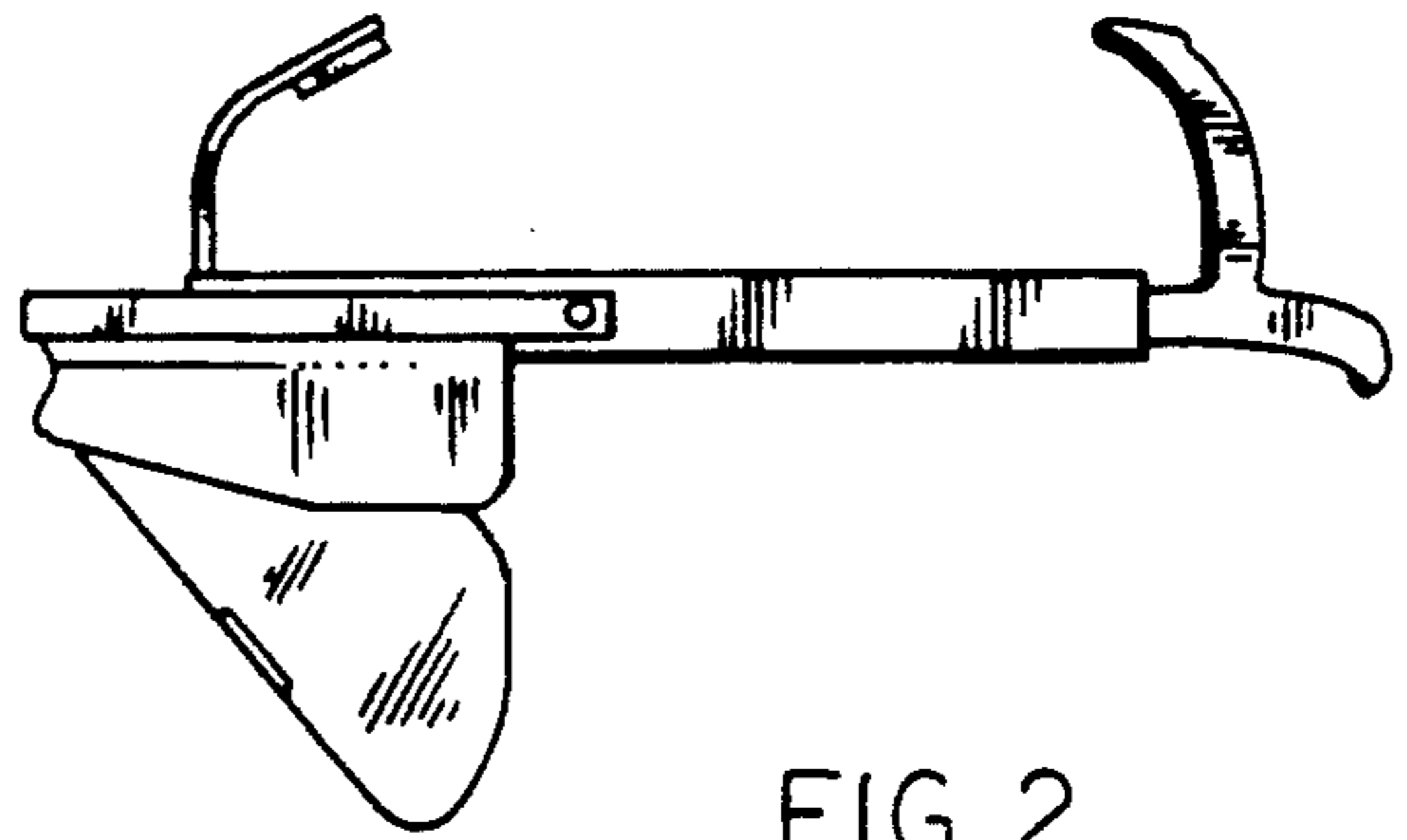


FIG. 2

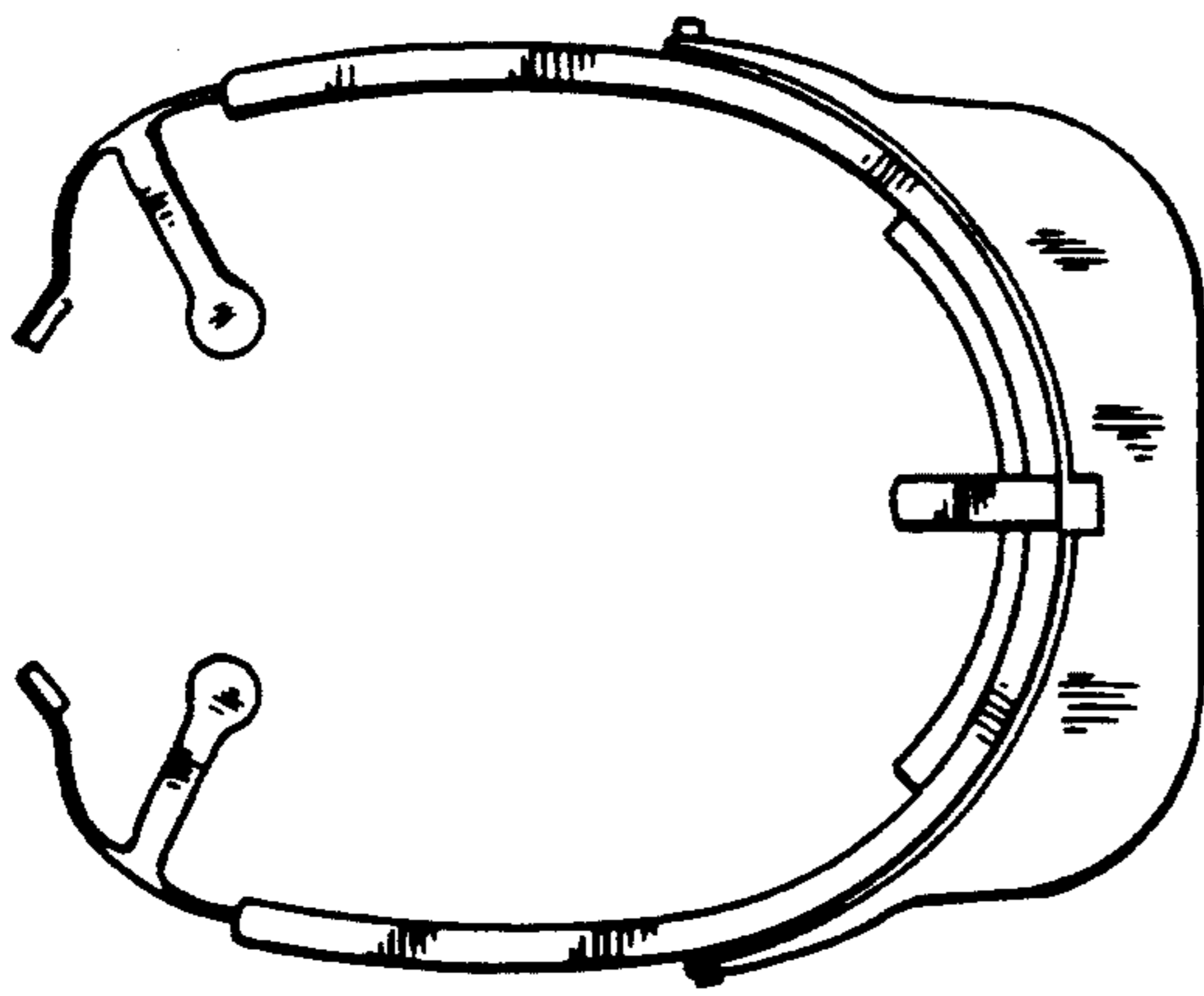


FIG. 3

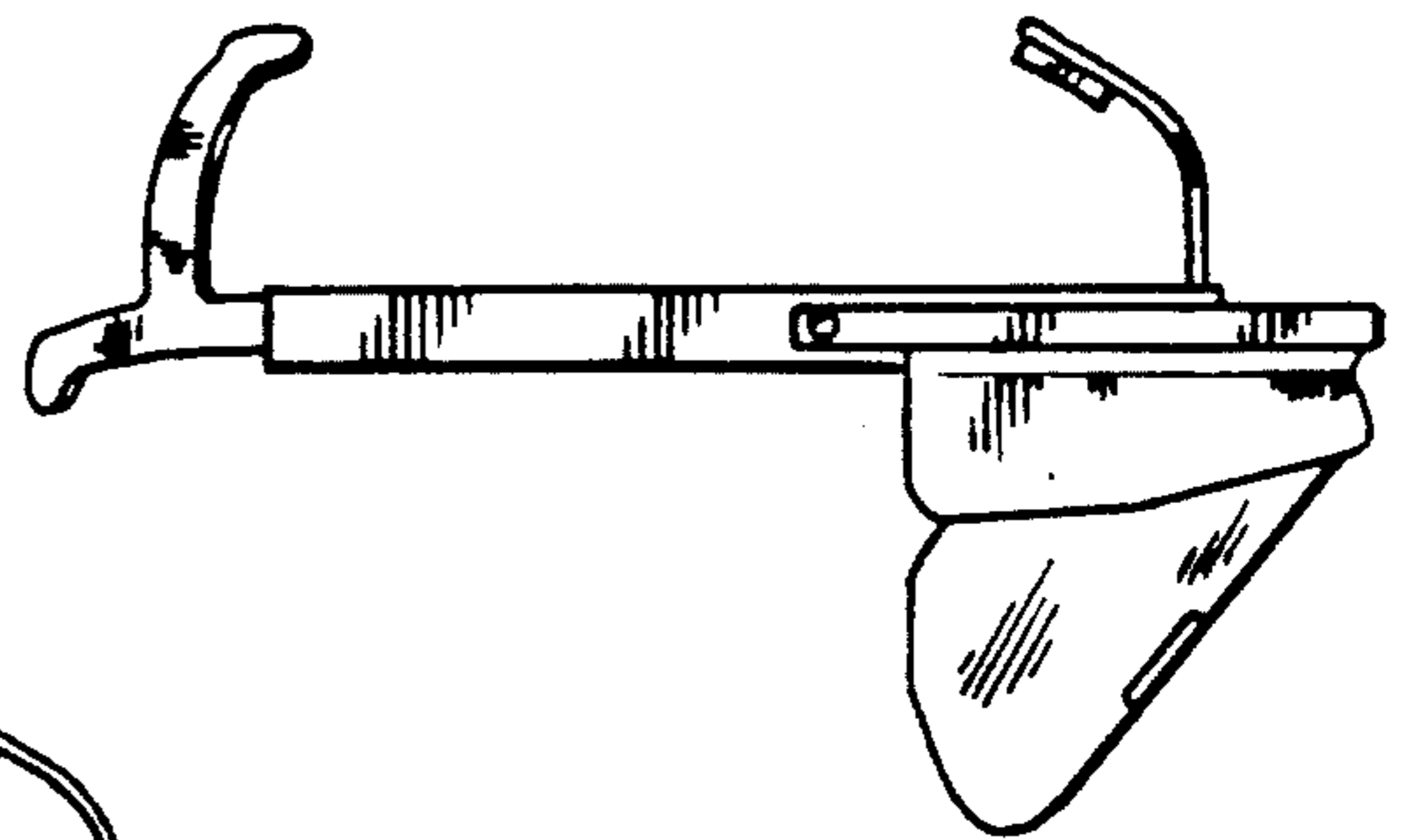


FIG. 4

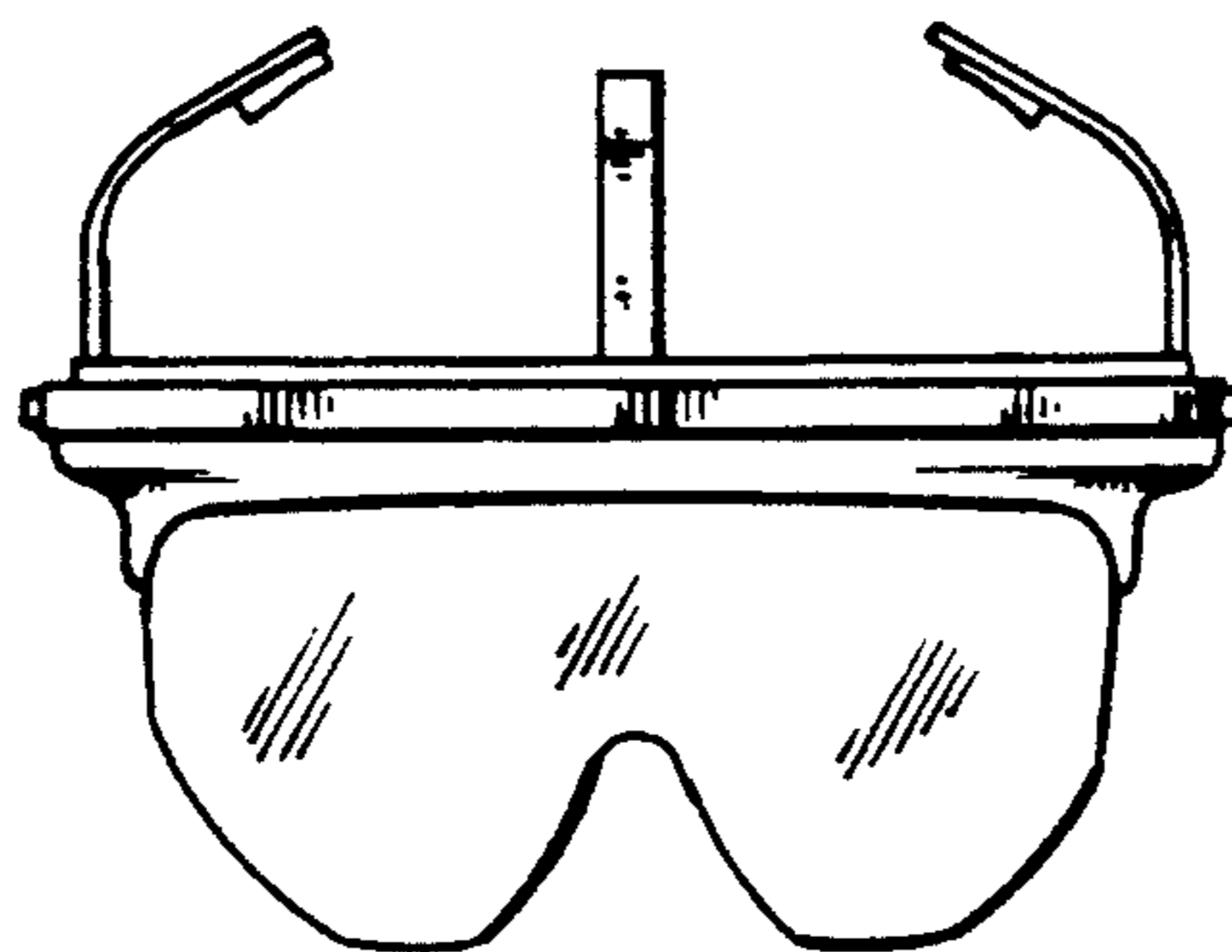


FIG. 5