



US00D346610S

United States Patent [19]

[11] Patent Number: **Des. 346,610**

Chen

[45] Date of Patent: **** May 3, 1994**

[54] **COMPOUND MITER SAW**

5,216,964 6/1993 Sato et al. 83/471.3
5,235,889 8/1993 Brickner et al. 83/471.3

[76] Inventor: **Ruey-Zon Chen**, No. 261, Jen-Hua Road, Ta-Li Hsiang, Taichung Hsien, Taiwan

Primary Examiner—Alan P. Douglas
Assistant Examiner—Antoine D. Davis
Attorney, Agent, or Firm—Ostrolenk, Faber, Gerb & Soffen

[**] Term: **14 Years**

[21] Appl. No.: **952,780**

[57] **CLAIM**

[22] Filed: **Sep. 29, 1992**

The ornamental design for a compound miter saw, as shown and described.

[52] U.S. Cl. **D15/133**

[58] Field of Search 83/471.1, 471.2, 471.3, 83/477, 581, 776-780; D15/133

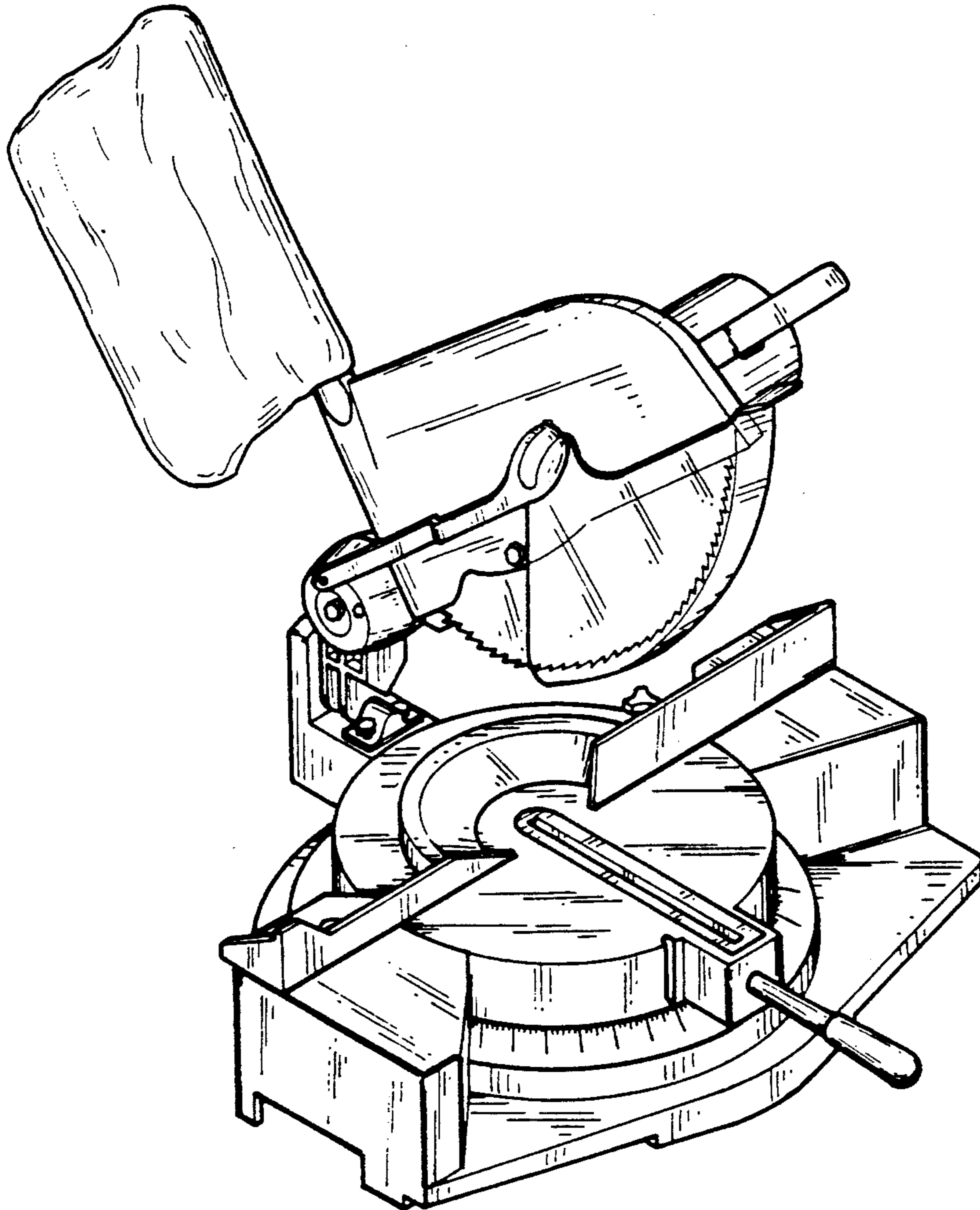
DESCRIPTION

[56] **References Cited**

U.S. PATENT DOCUMENTS

D. 287,694	1/1987	Miyamoto	D15/133
D. 326,668	6/1992	Archart et al.	D15/133
D. 334,756	4/1993	Sakamoto et al.	D15/133
5,016,510	5/1991	Gardner	83/471.2
5,046,390	9/1991	Sasaki	83/471.2

FIG. 1 is a perspective view of compound miter saw showing my new design;
FIG. 2 is a front elevational view thereof;
FIG. 3 is a rear elevational view thereof;
FIG. 4 is a left side elevational view thereof;
FIG. 5 is a right side elevational view thereof;
FIG. 6 is a top plan view thereof; and,
FIG. 7 is a bottom view thereof.



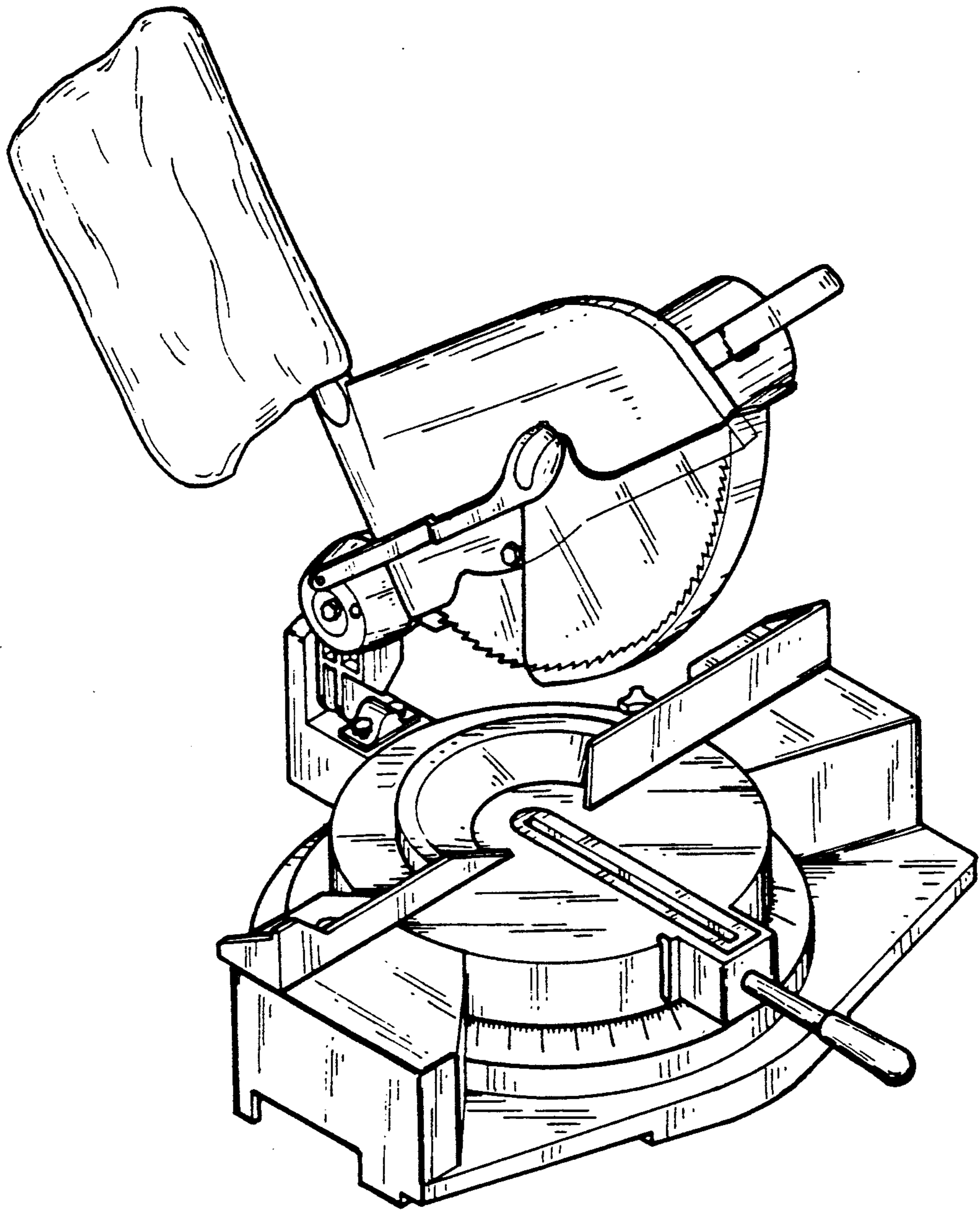


FIG. 1

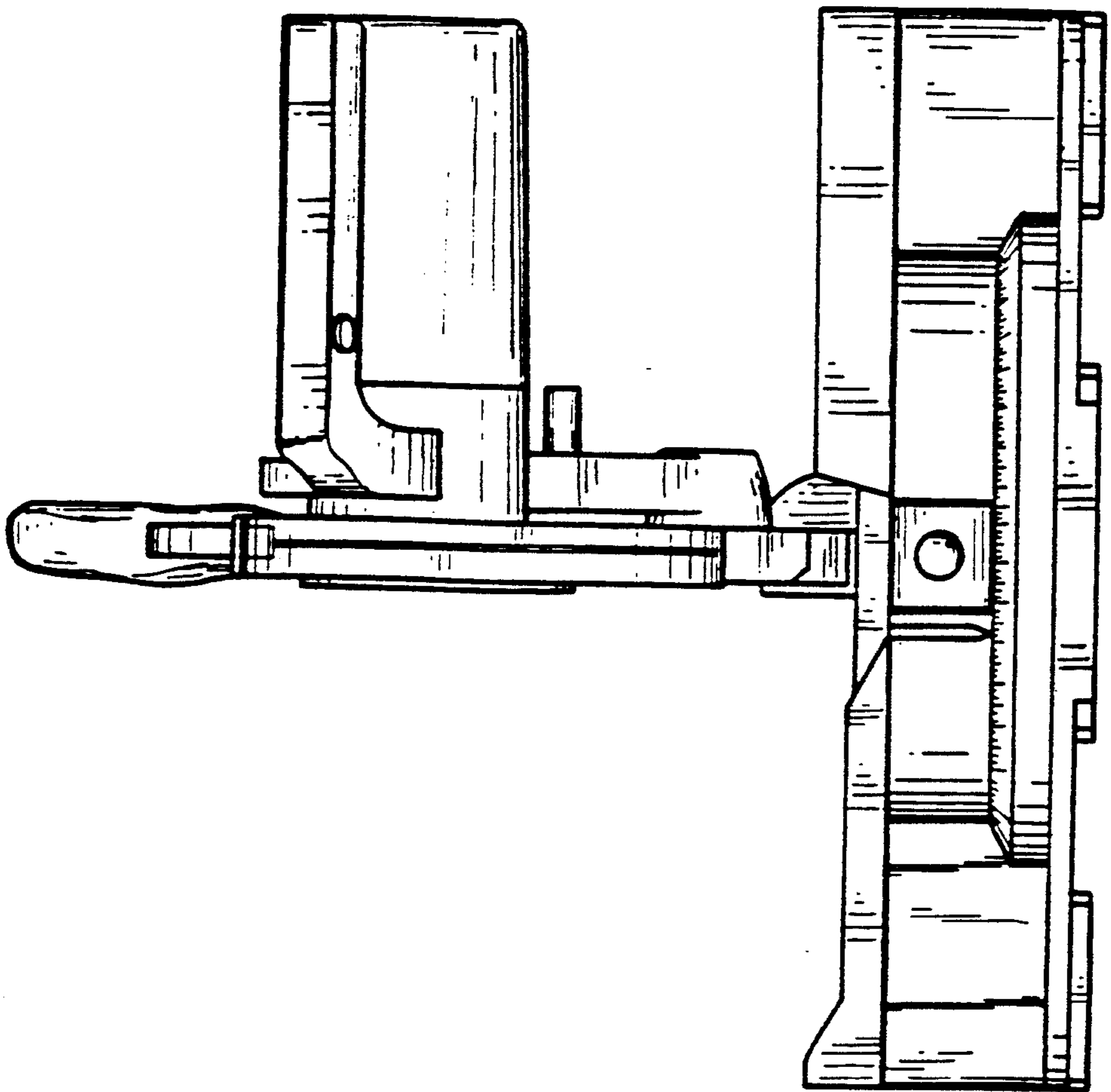


FIG. 2

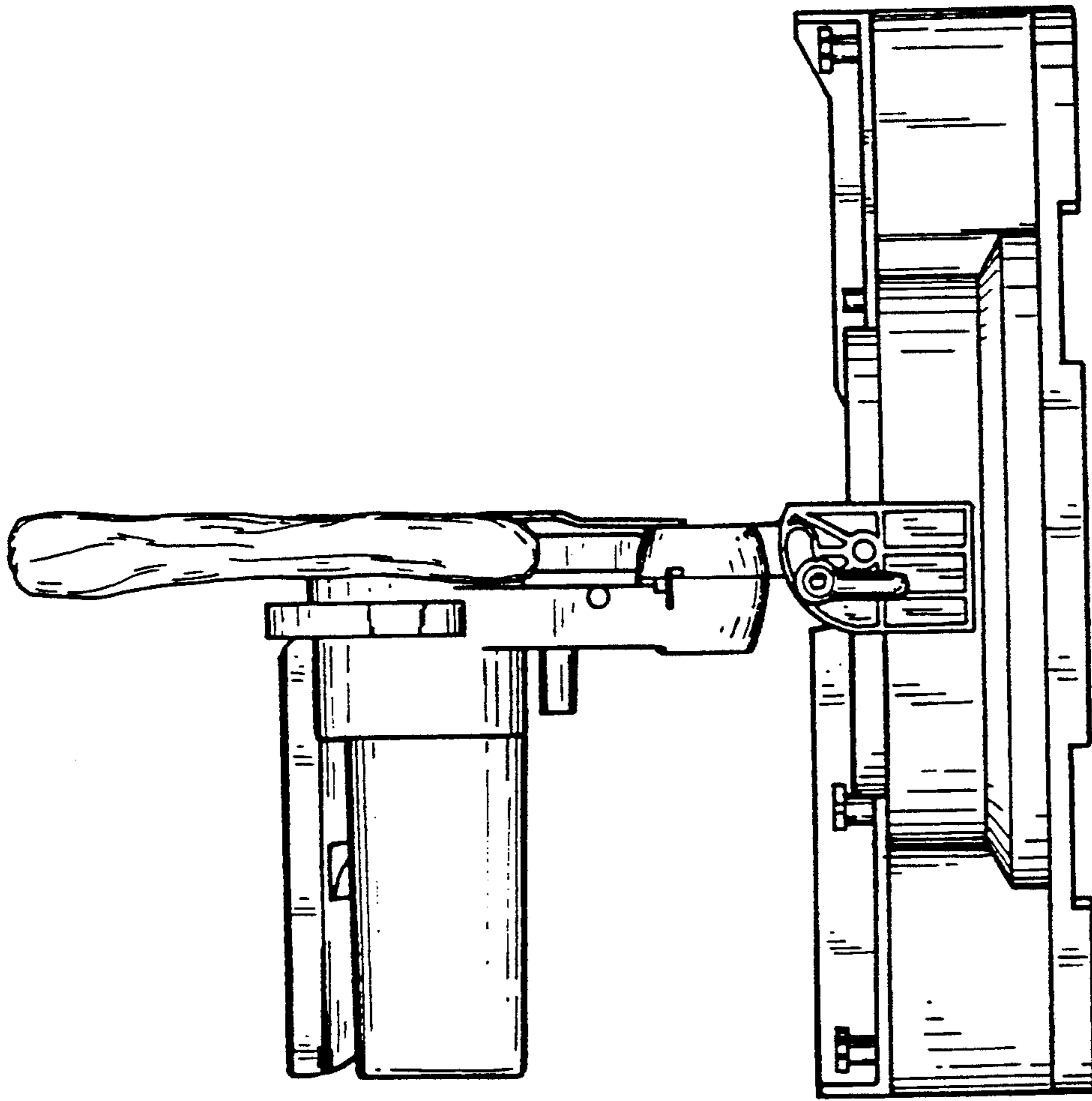


FIG. 3

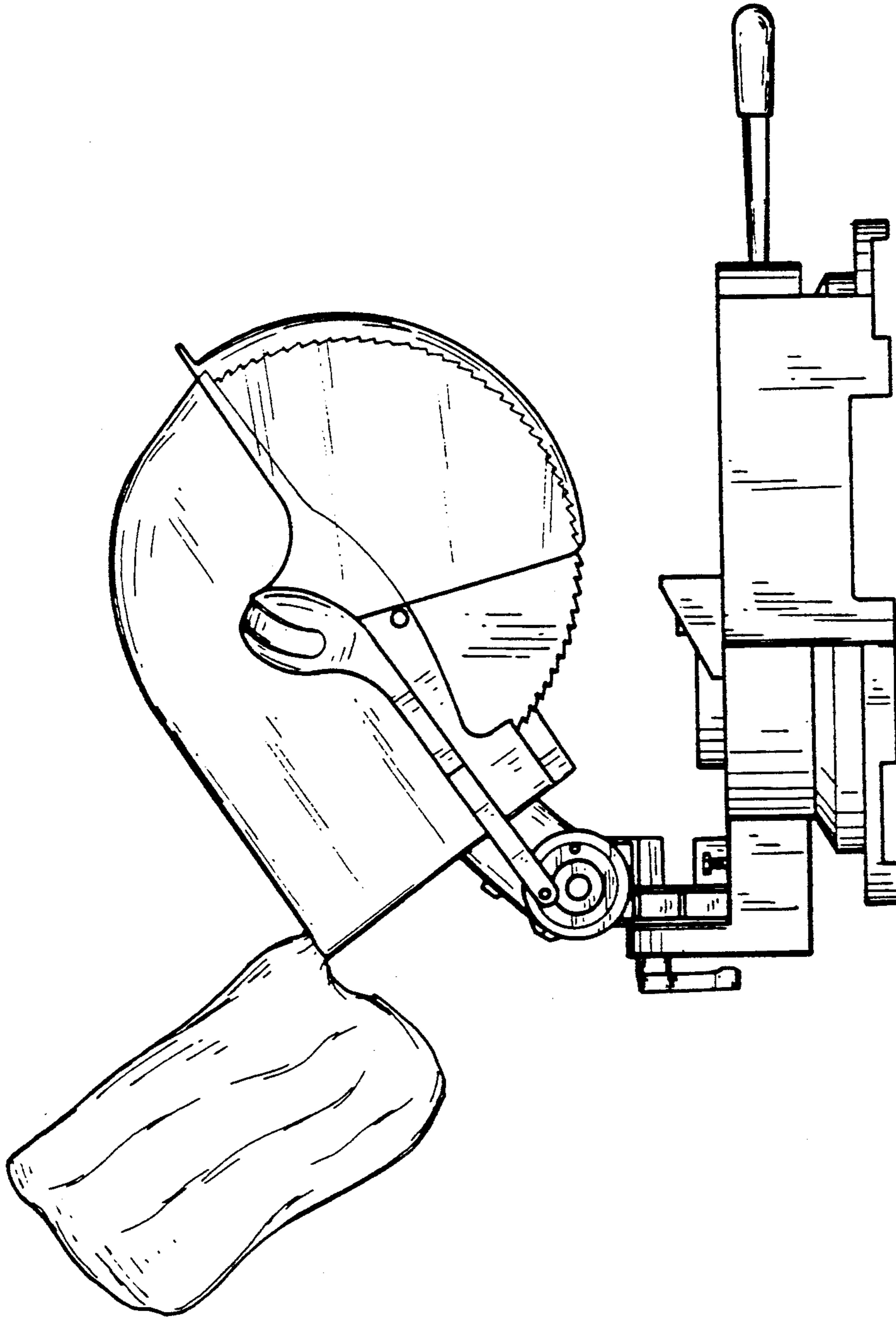


FIG. 4

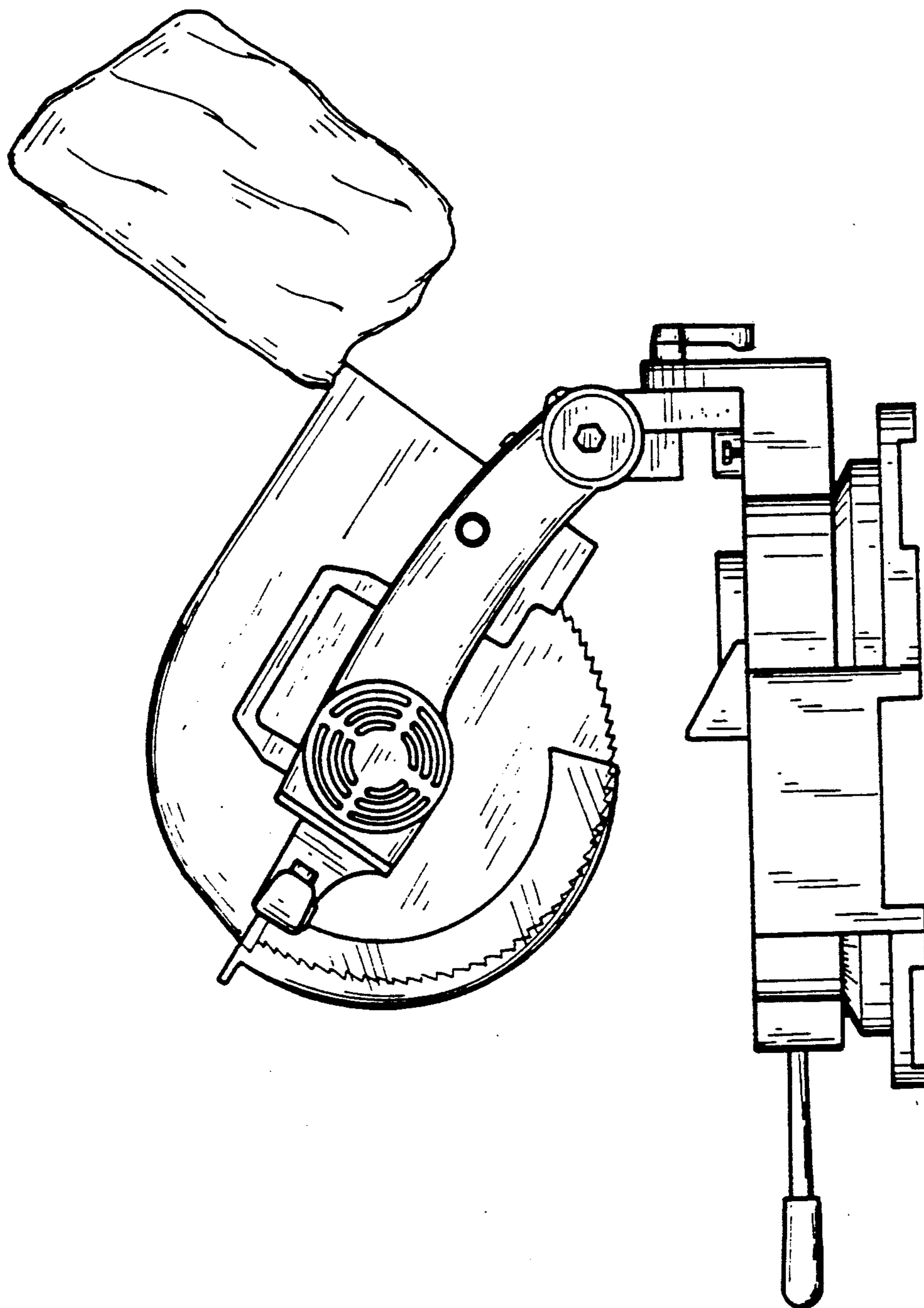


FIG. 5

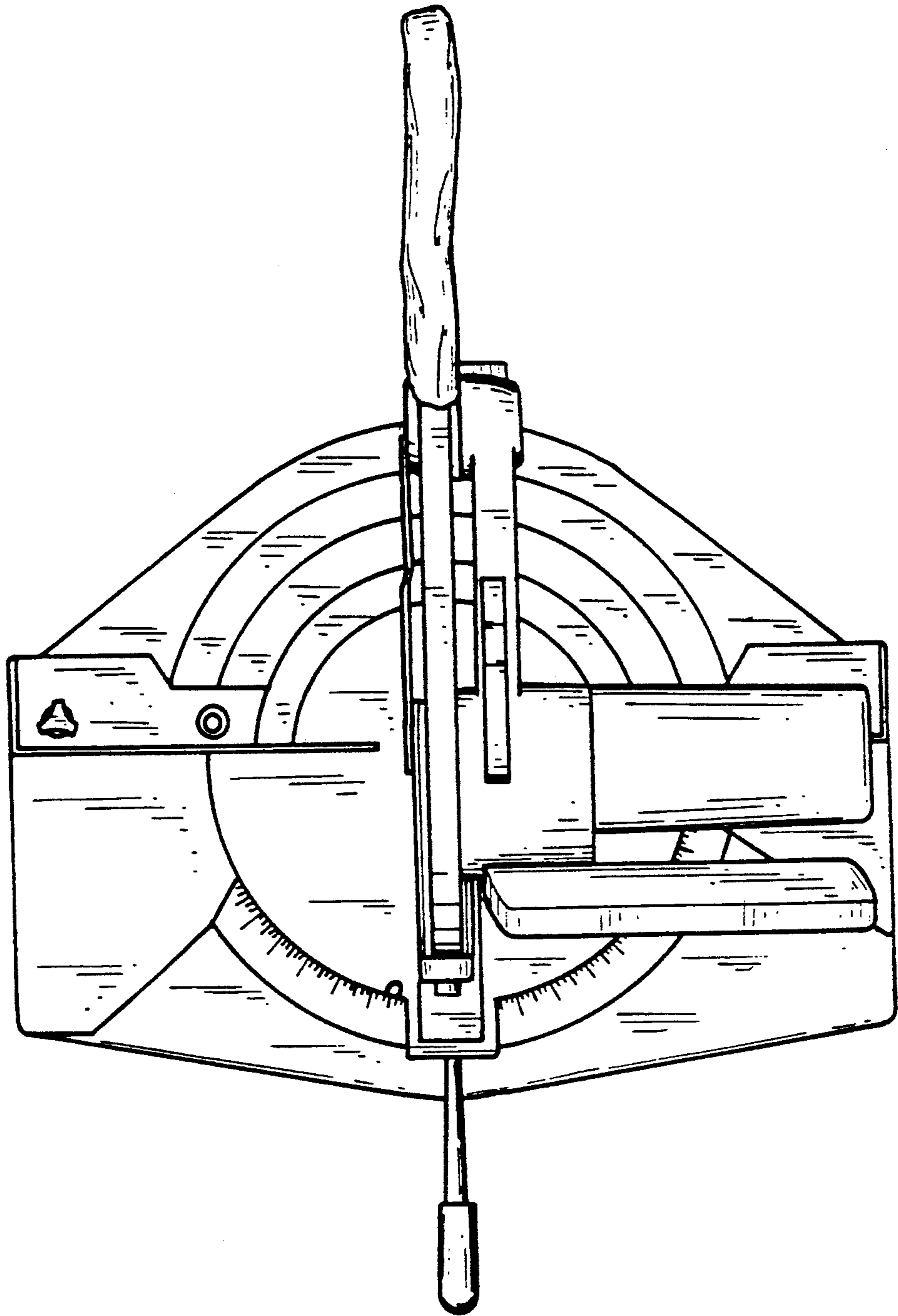


FIG. 6

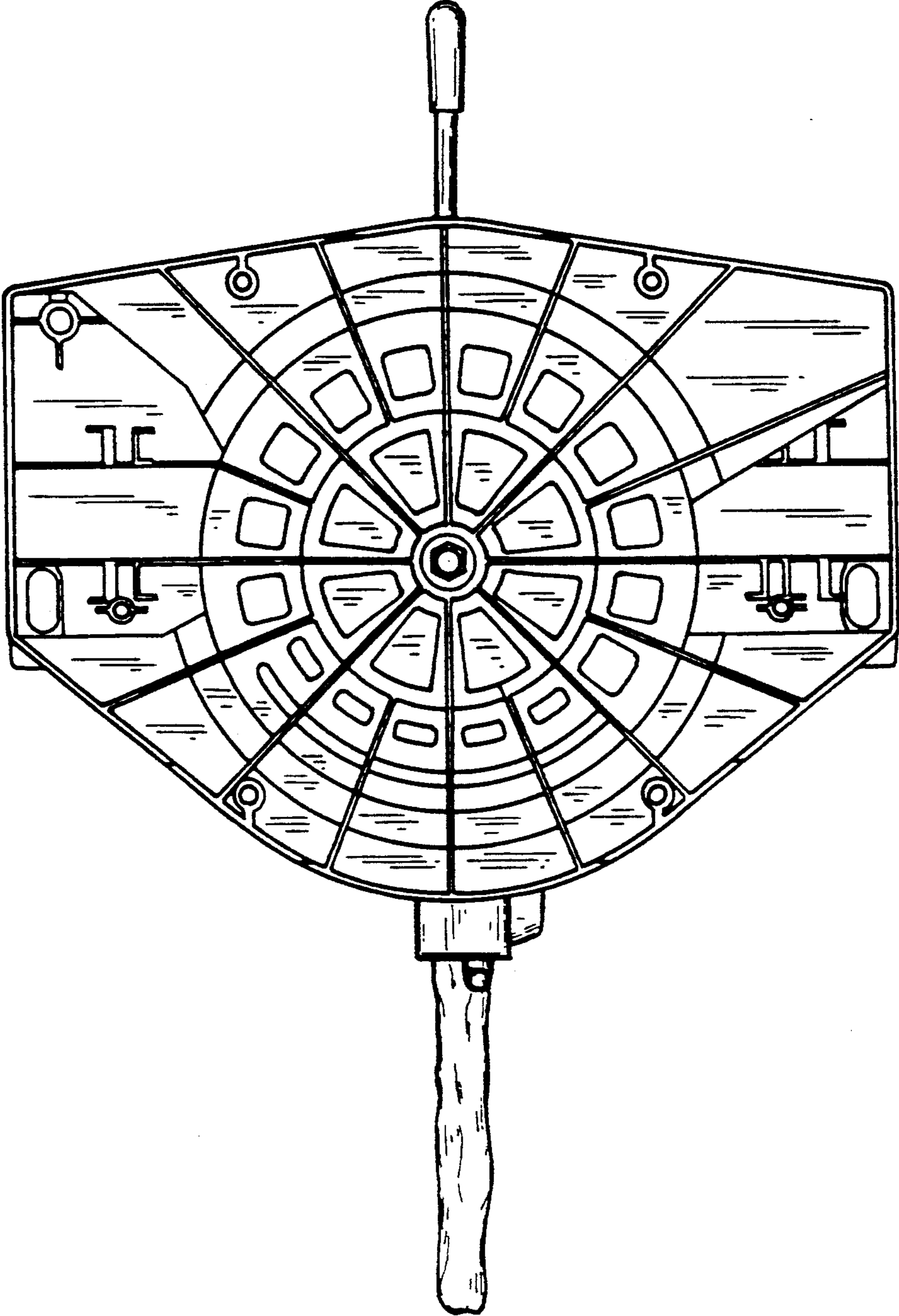


FIG. 7