



US00D346609S

United States Patent [19]

[11] Patent Number: **Des. 346,609**

Person et al.

[45] Date of Patent: **** May 3, 1994**

[54] **FRONT PANEL FOR A COMBINED RADIO RECEIVER AND CASSETTE TAPE PLAYER**

D. 322,789 12/1991 McCauley et al. D14/157 X
D. 334,752 4/1993 Dziekan et al. D14/157 X

[75] Inventors: **Andrew P. Person**, Farmington Hills; **Michael W. Wielgat**, Royal Oak; **Andrew D. Magic**, Livonia; **Harlan E. Kifer**, Birmingham; **Michael G. Moore**, Rochester; **Hiroyuki Yabashi**, West Bloomfield, all of Mich.

OTHER PUBLICATIONS

Stereo Review, Apr. 1988, p. 77, Sherwood Car Stereo. JVC Mobile Audio Components 1990 Catalog, p. 11, bottom left—Model KS-RX710.

Primary Examiner—Theodore M. Shooman
Attorney, Agent, or Firm—Edward A. Craig

[73] Assignee: **Chrysler Corporation**, Highland Park, Mich.

[57] CLAIM

The ornamental design for front panel for a combined radio receiver and cassette tape player, as shown and described.

[**] Term: **14 Years**

[21] Appl. No.: **824,474**

DESCRIPTION

[22] Filed: **Jan. 16, 1992**

[52] U.S. Cl. **D14/258; D14/157**

[58] Field of Search **455/345, 346; D14/124, D14/157, 188, 257, 258, 299**

FIG. 1 is a top plan view of front panel for a combined radio receiver and cassette tape player showing our new design;

FIG. 2 is a front elevational view thereof;

FIG. 3 is a bottom plan view thereof;

FIG. 4 is a left side elevational view thereof;

FIG. 5 is a right side elevational view thereof; and,

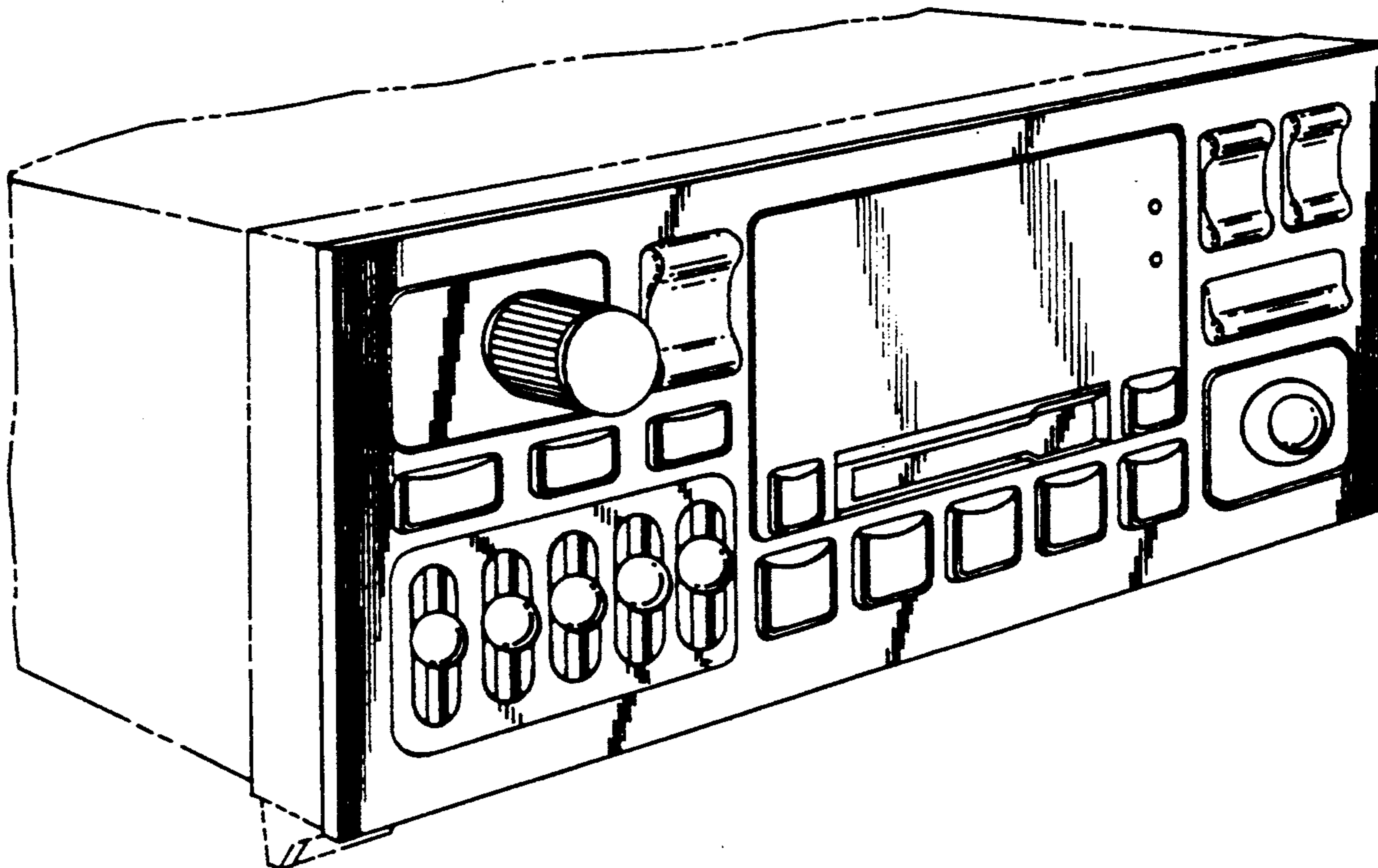
FIG. 6 is a view in perspective thereof.

The housing shown in broken lines in FIGS. 1 and 3-6 is shown for illustrative purposes only and forms no part of the claimed design.

[56] References Cited

U.S. PATENT DOCUMENTS

D. 261,136 10/1981 Yamada et al. D14/157
D. 308,383 6/1990 Mergregian et al. D14/258
D. 315,567 3/1991 McCauley et al. D14/157 X



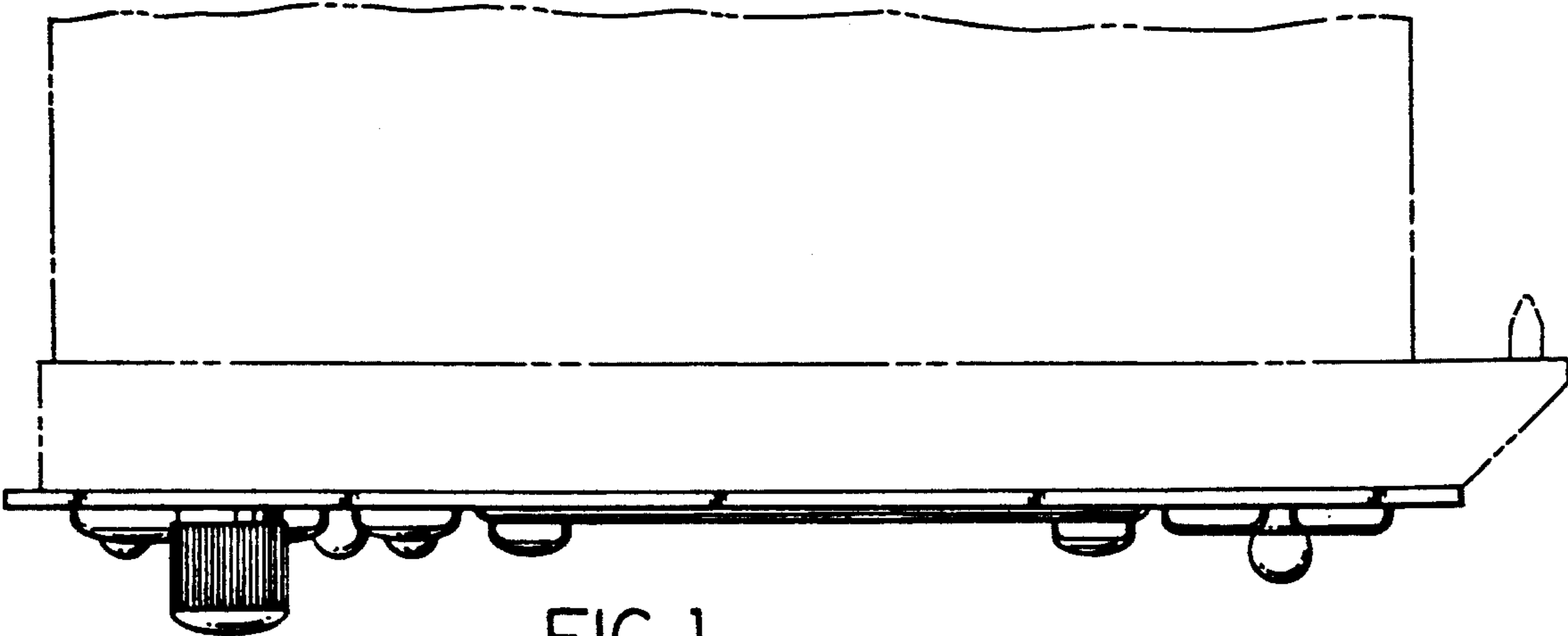


FIG. 1

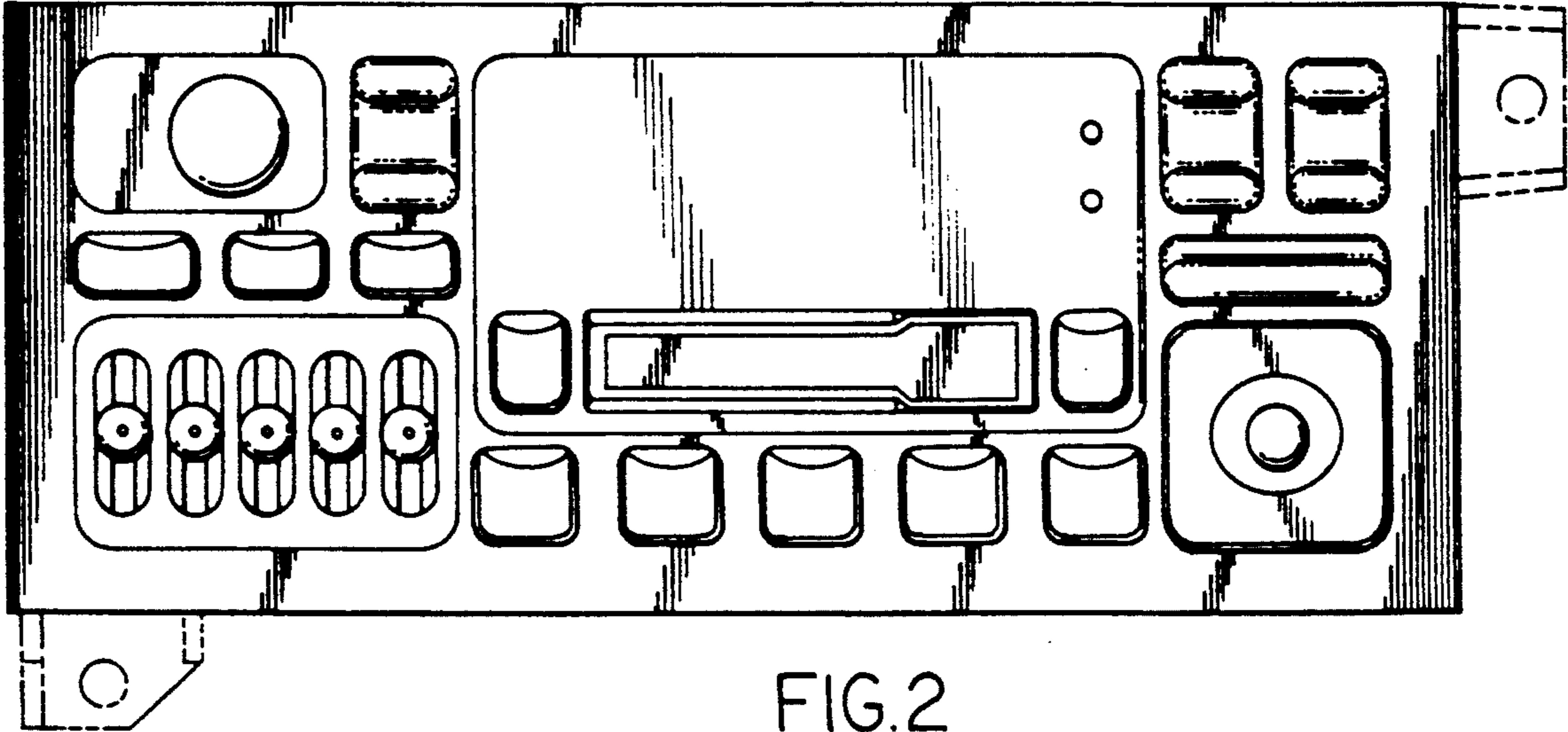


FIG. 2

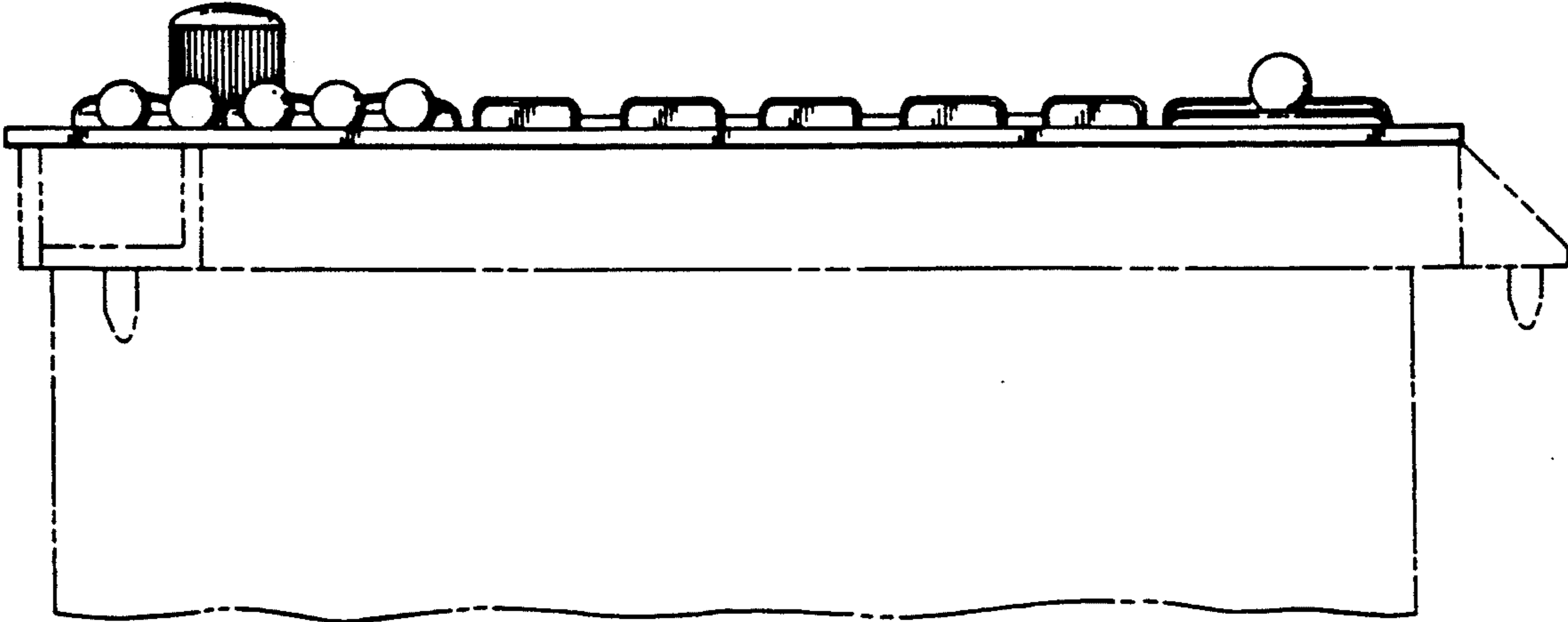


FIG. 3

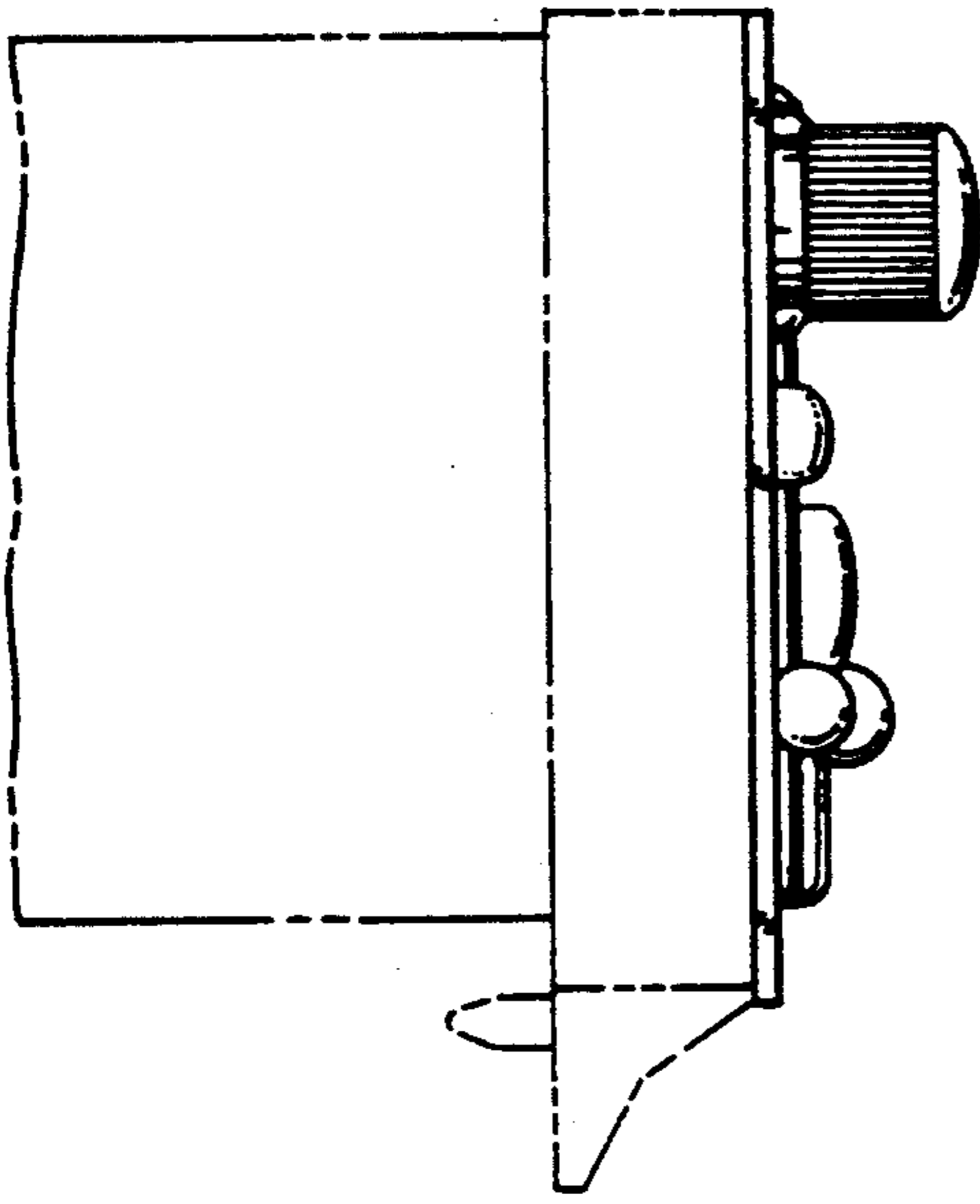


FIG. 4

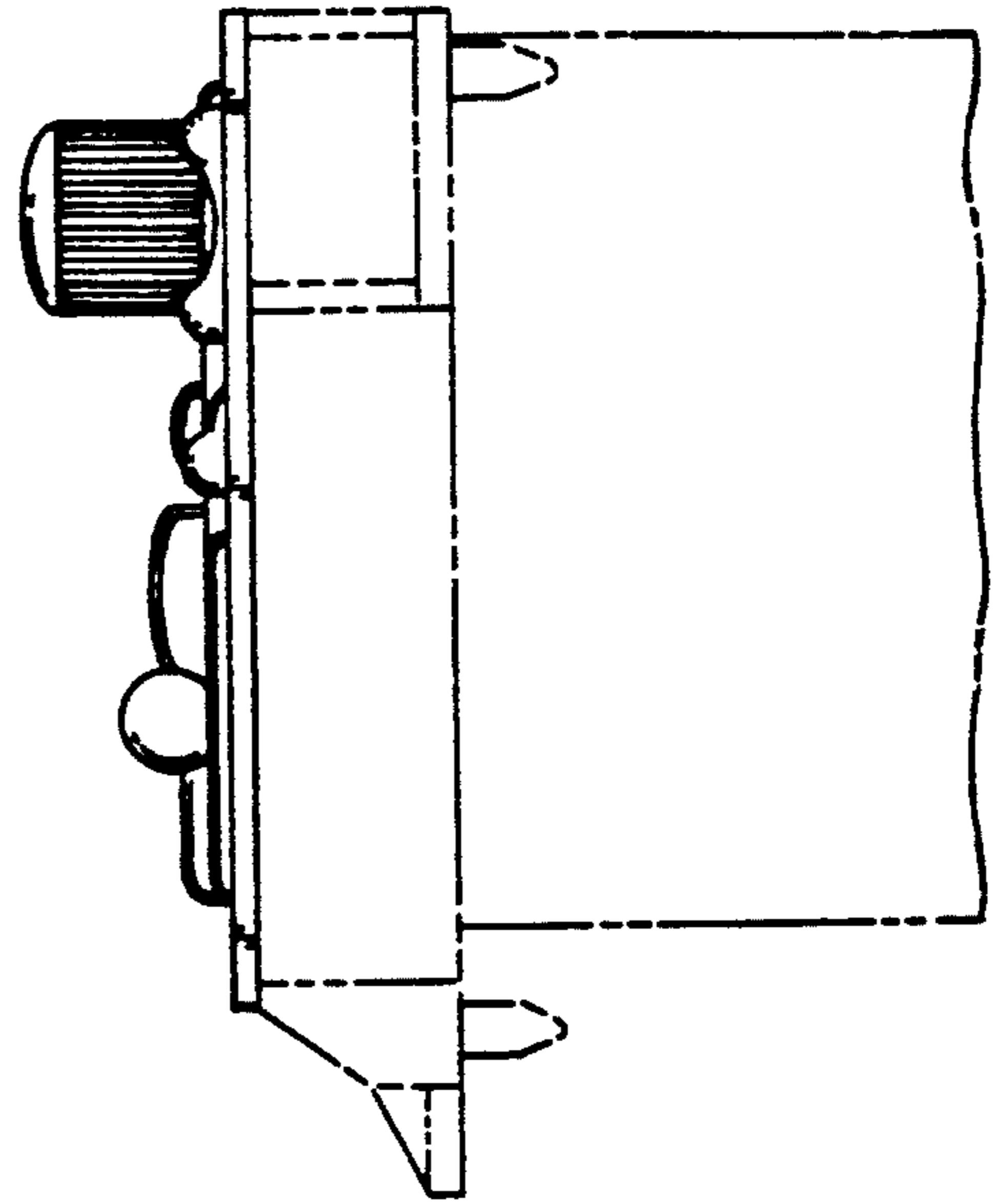


FIG. 5

FIG. 6

