



US00D346603S

# United States Patent [19]

[11] Patent Number: **Des. 346,603**

Leu

[45] Date of Patent: **\*\* May 3, 1994**

[54] **BASE FOR AN IMITATION ANTENNA**

[75] Inventor: **Carl W. Leu, Miami, Fla.**

[73] Assignee: **Poli-Auto, Inc., Miami, Fla.**

[\*\*] Term: **14 Years**

[21] Appl. No.: **931,529**

[22] Filed: **Aug. 19, 1992**

[52] U.S. Cl. .... **D14/238**

[58] Field of Search ..... **343/878, 880, 882, 888;  
D14/230, 238, 234**

[56] **References Cited**

**U.S. PATENT DOCUMENTS**

D. 298,430	11/1988	Shimazaki	.....	D14/234
D. 320,601	10/1991	Harada	.....	D14/234
D. 321,886	11/1991	Metivier	.....	D14/238
D. 337,331	7/1993	Lai	.....	D14/234
4,857,939	8/1989	Shimazaki	.....	343/743
5,181,043	1/1993	Cooper	.....	343/715

*Primary Examiner*—B. J. Bullock  
*Attorney, Agent, or Firm*—Rothwell, Figg, Ernst & Kurz; Rothwell, Figg, Ernst & Kurz

[57] **CLAIM**

The ornamental design for a base for an imitation antenna, as shown and described.

**DESCRIPTION**

FIG. 1 is a perspective view of the base for an imitation showing antenna my new design;  
FIG. 2 is a top plan view of my design;  
FIG. 3 is side elevational view thereof;  
FIG. 4 is a rear elevational view;  
FIG. 5 is a bottom plan view;  
FIG. 6 is a perspective view thereof, an antenna being shown in broken lines for illustrative purposes only; and,  
FIG. 7 is another perspective view thereof, with a second antenna being shown in broken lines for illustrative purposes only.

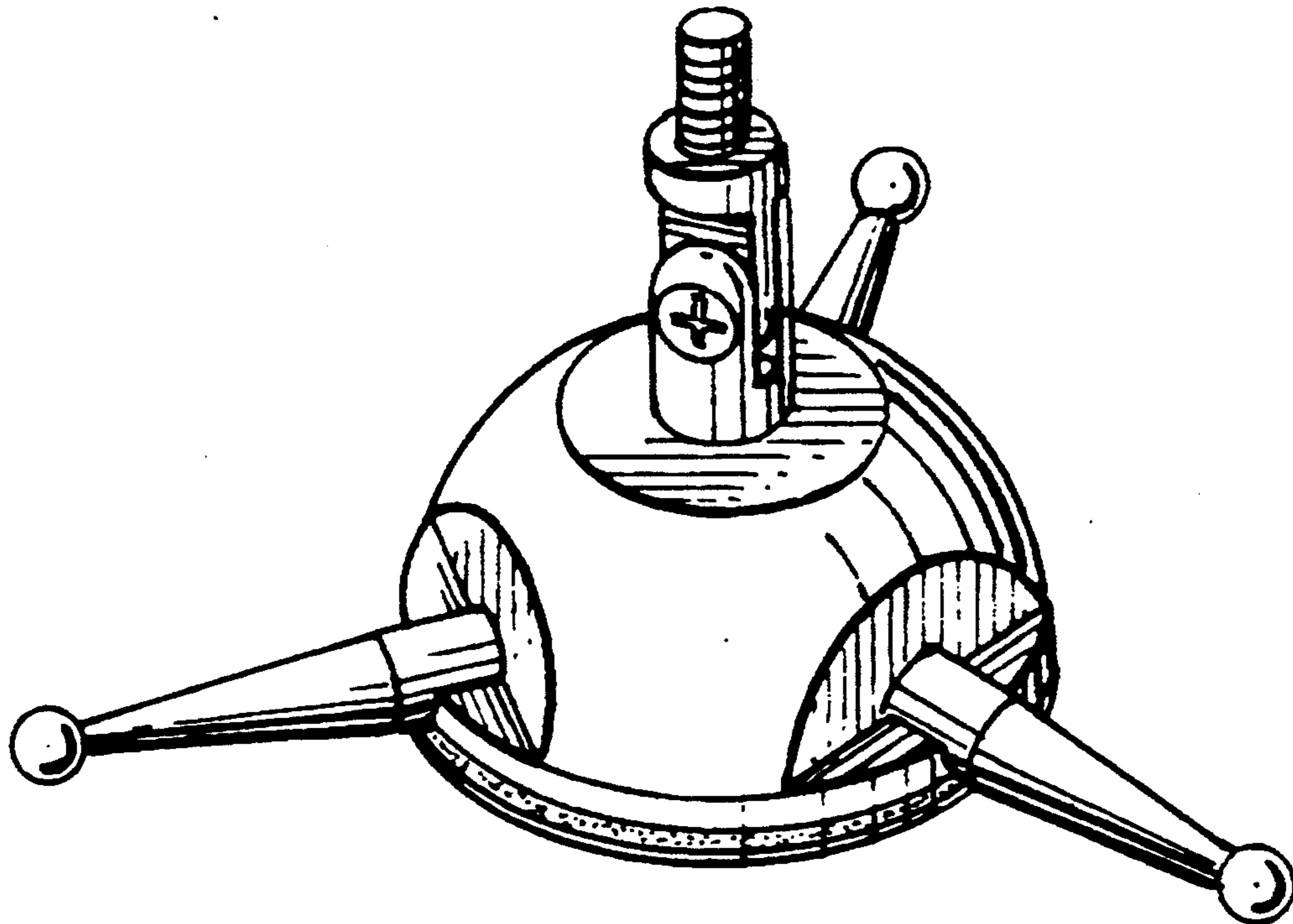


FIG. 1

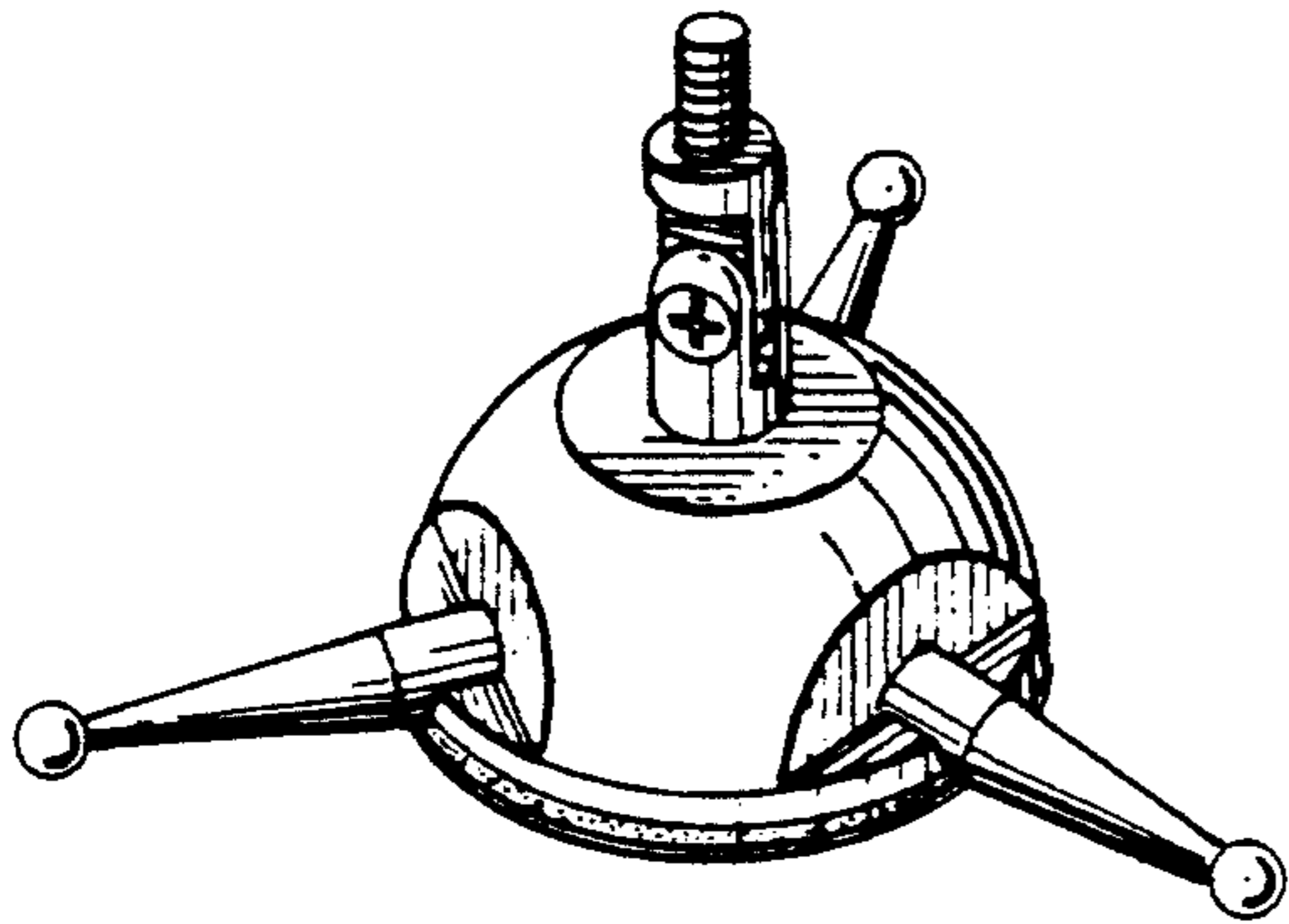


FIG. 2

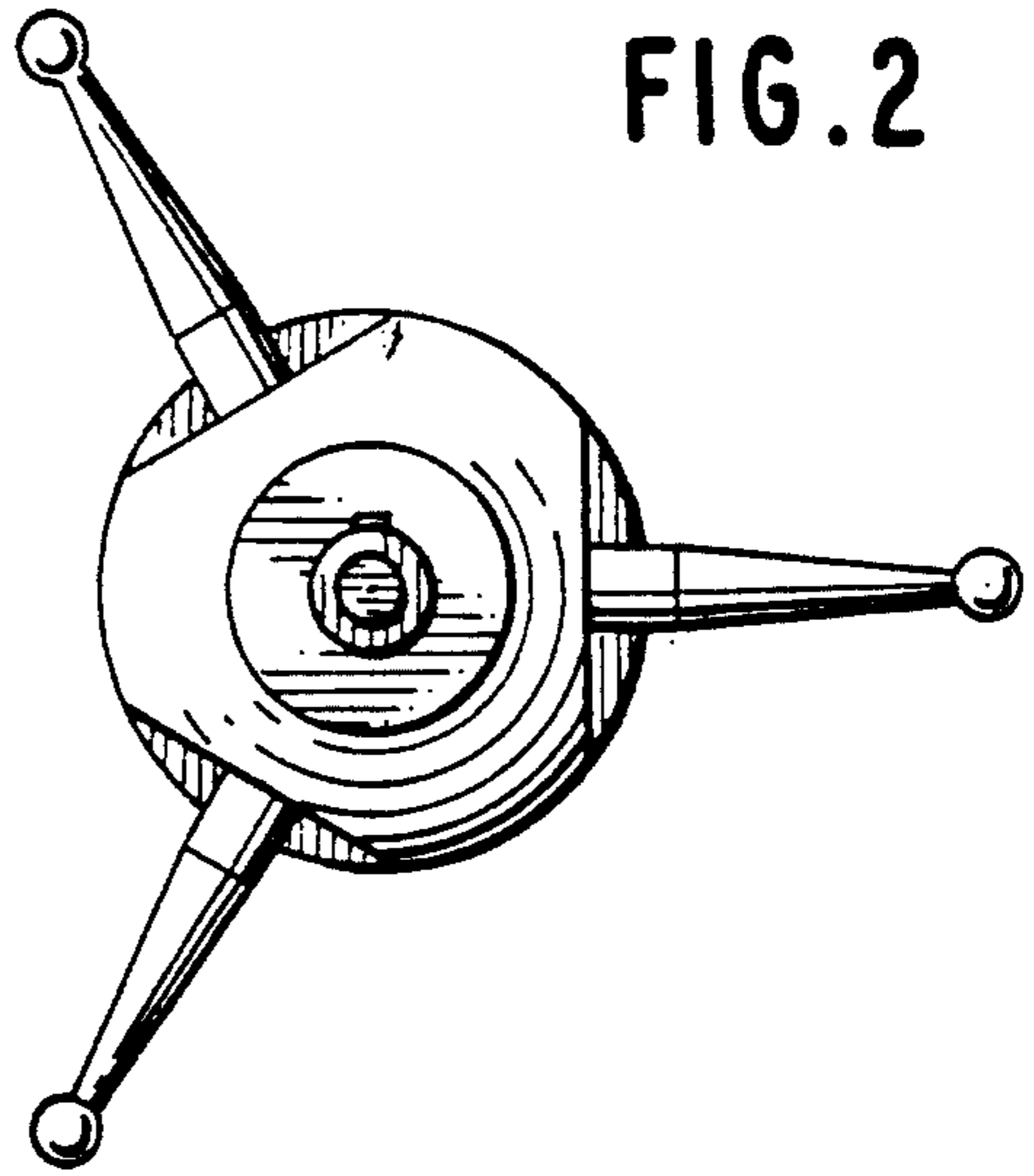


FIG. 3

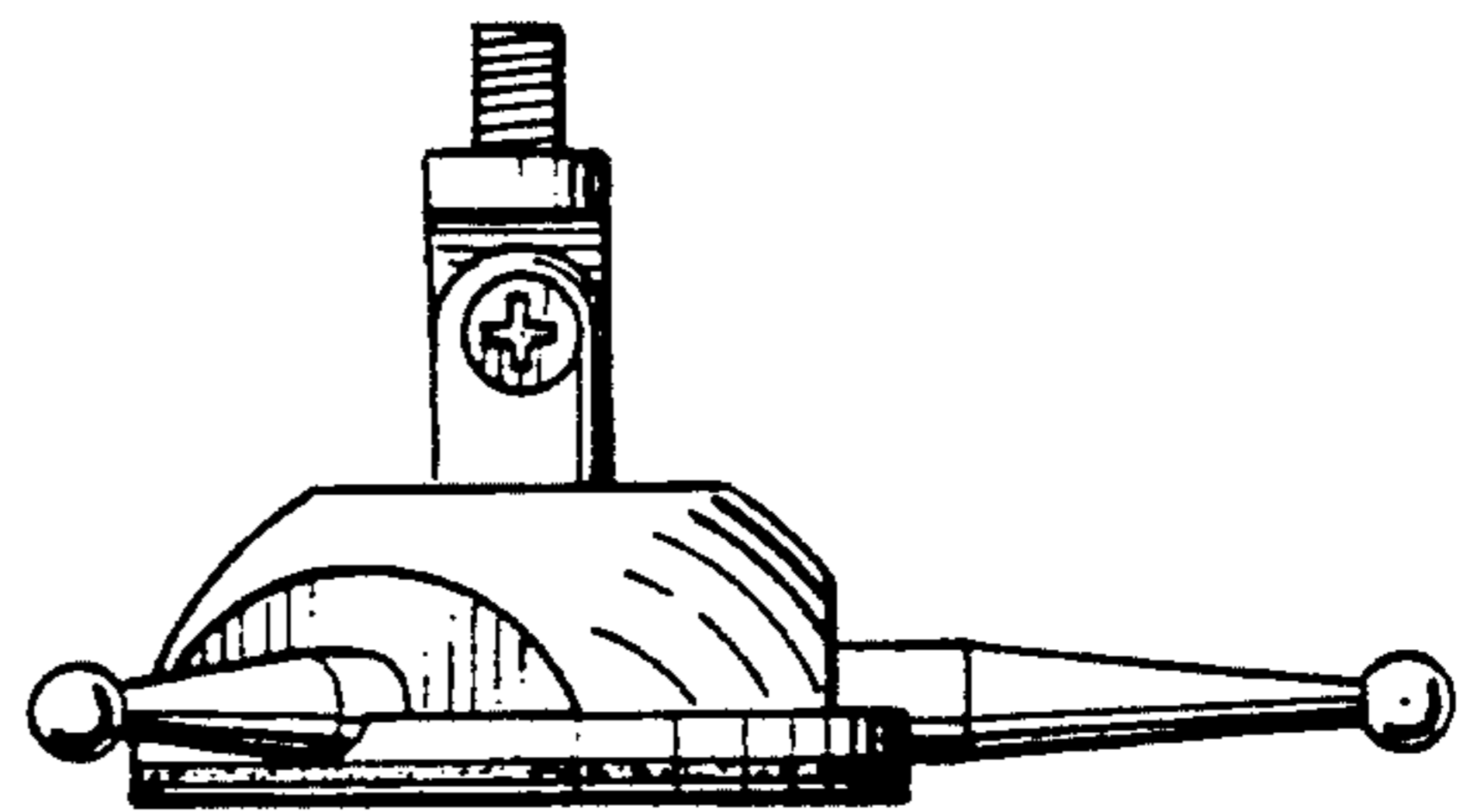


FIG. 4

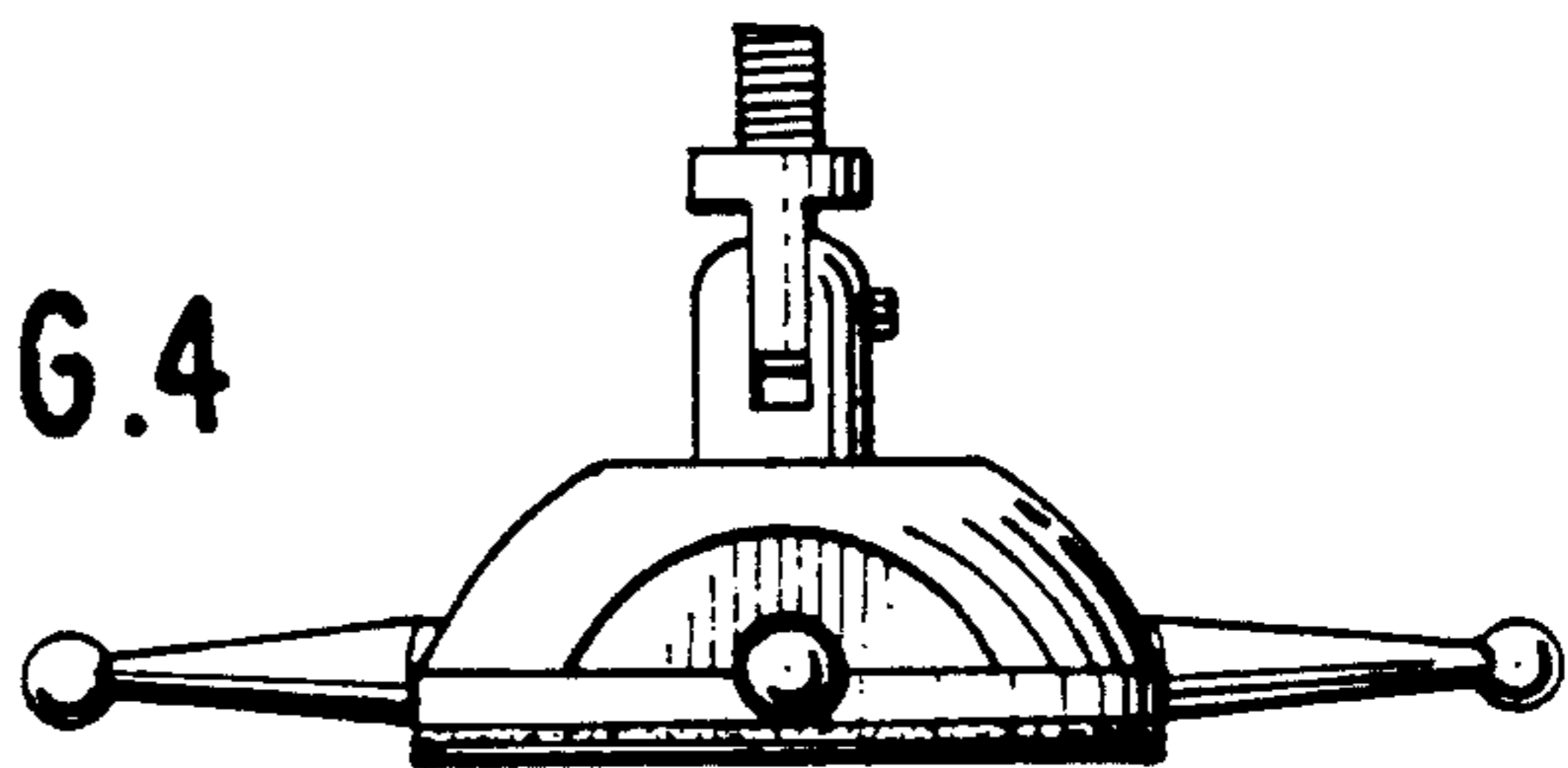


FIG. 5

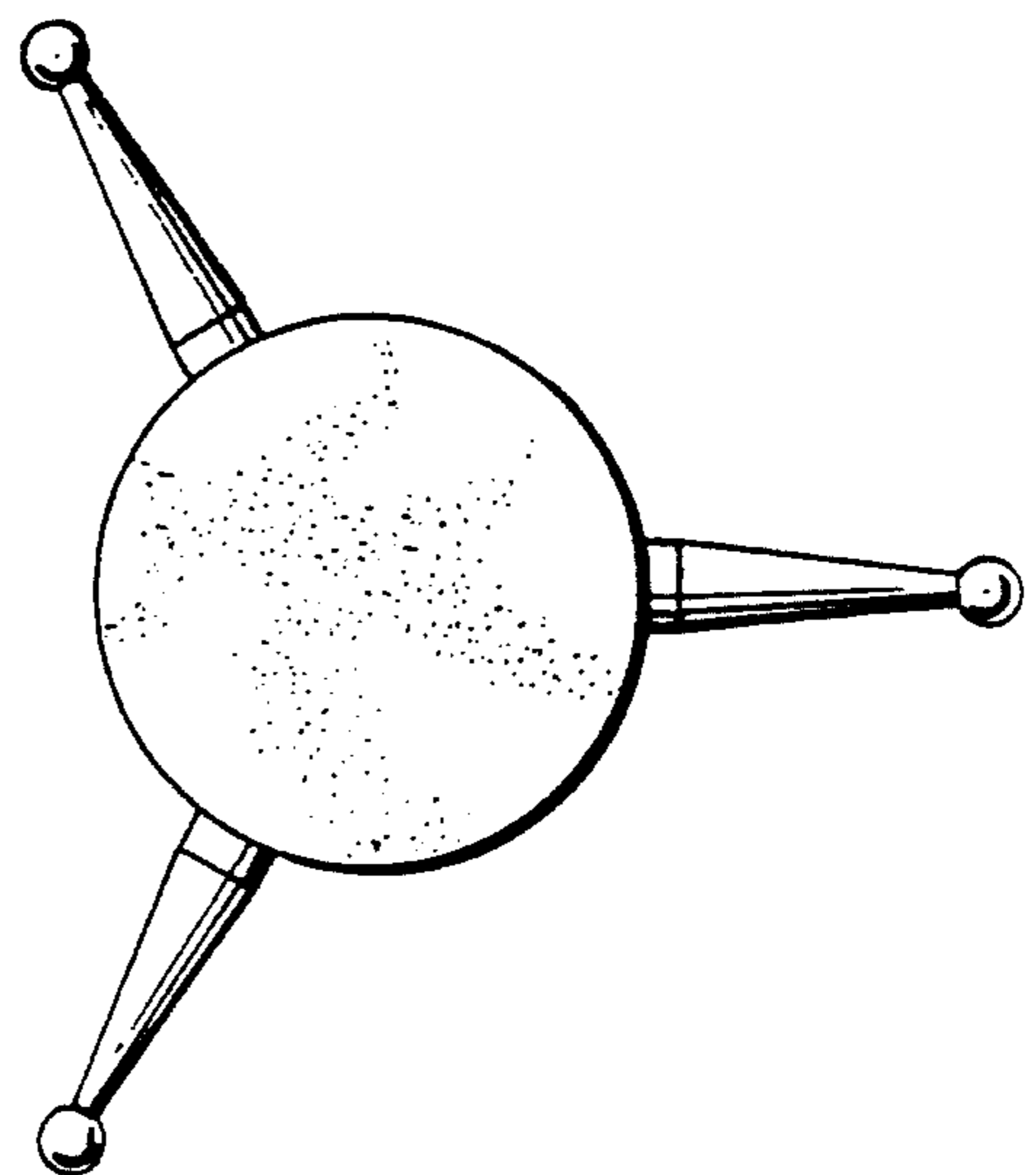


FIG. 6

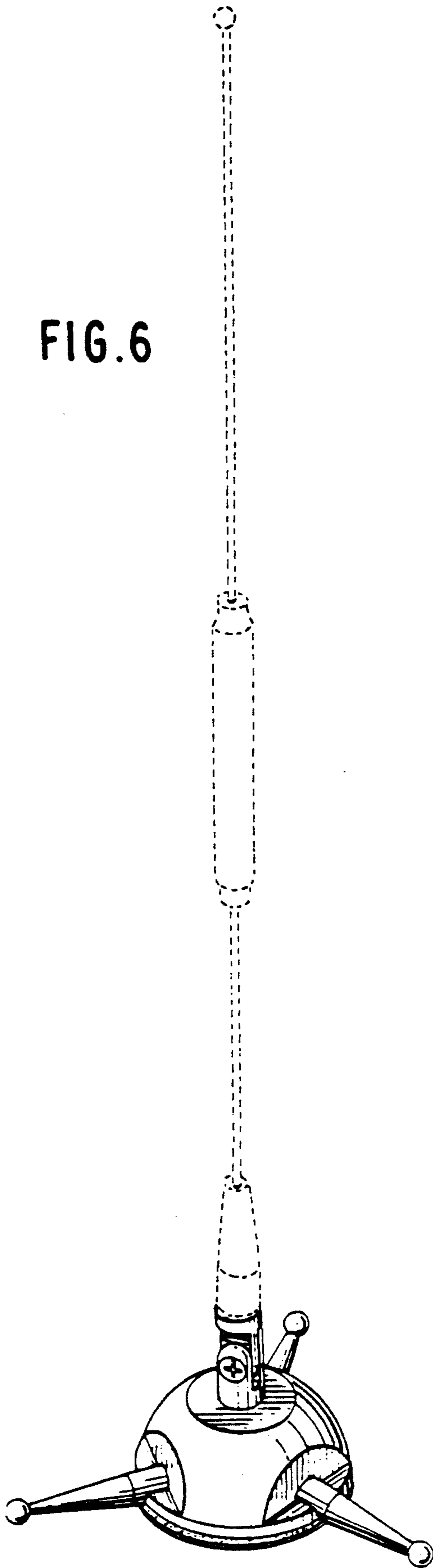
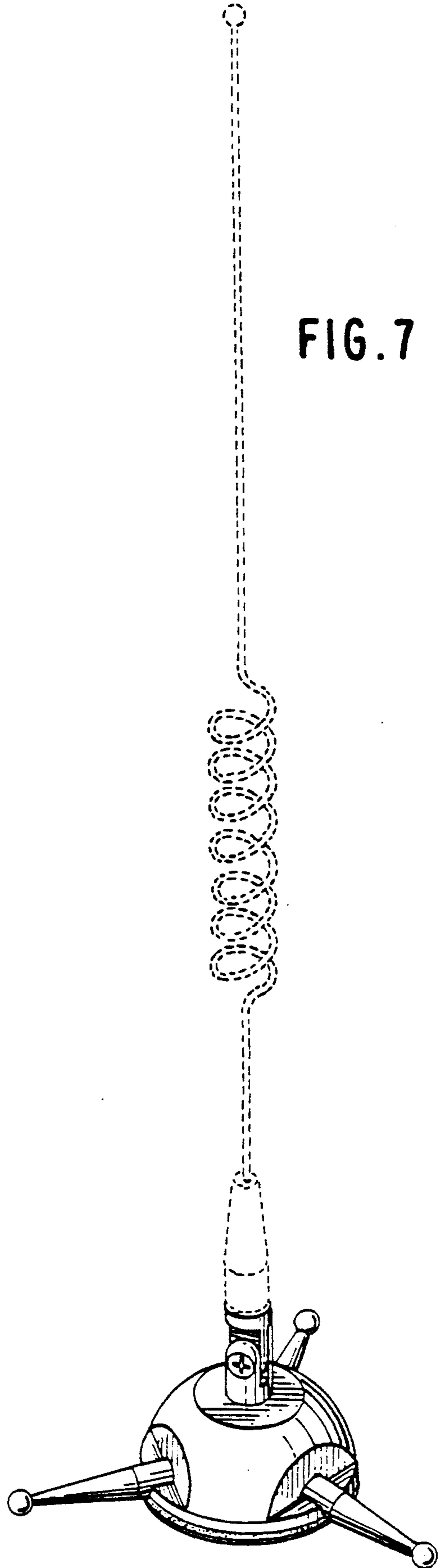


FIG. 7



UNITED STATES PATENT AND TRADEMARK OFFICE  
**CERTIFICATE OF CORRECTION**

PATENT NO. : Des. 346,603  
DATED : May 3, 1994  
INVENTOR(S) : Carl W. Leu

It is certified that error appears in the above-identified patent and that said Letters Patent is hereby corrected as shown below:

Title page, col. 2, line 3,  
Under Attorney, Agent, or Firm, delete the second occurrence of  
"Rothwell, Figg, Ernst & Kurz".

Fig. 1, "showing antenna", should be --antenna showing--.

Signed and Sealed this  
Ninth Day of August, 1994



BRUCE LEHMAN

Attest:

Attesting Officer

Commissioner of Patents and Trademarks