



US00D346600S

United States Patent [19]

[11] Patent Number: **Des. 346,600**

Grasso

[45] Date of Patent: **** May 3, 1994**

[54] **PORTABLE RADIO**

4,521,205	6/1985	Spector	D14/164
4,977,614	12/1990	Kurcbart	455/351
5,115,646	5/1992	Bishop	16/386

[76] Inventor: **Mark A. Grasso**, 20748 Pacific Coast Hwy., Malibu, Calif. 90265

Primary Examiner—B. J. Bullock
Attorney, Agent, or Firm—Hawes & Fischer

[**] Term: **14 Years**

[21] Appl. No.: **831,284**

[57] **CLAIM**

[22] Filed: **Feb. 5, 1992**

The ornamental design for a portable radio, as shown and described.

[52] U.S. Cl. **D14/189; D10/34; D11/3; D14/192; D21/163**

DESCRIPTION

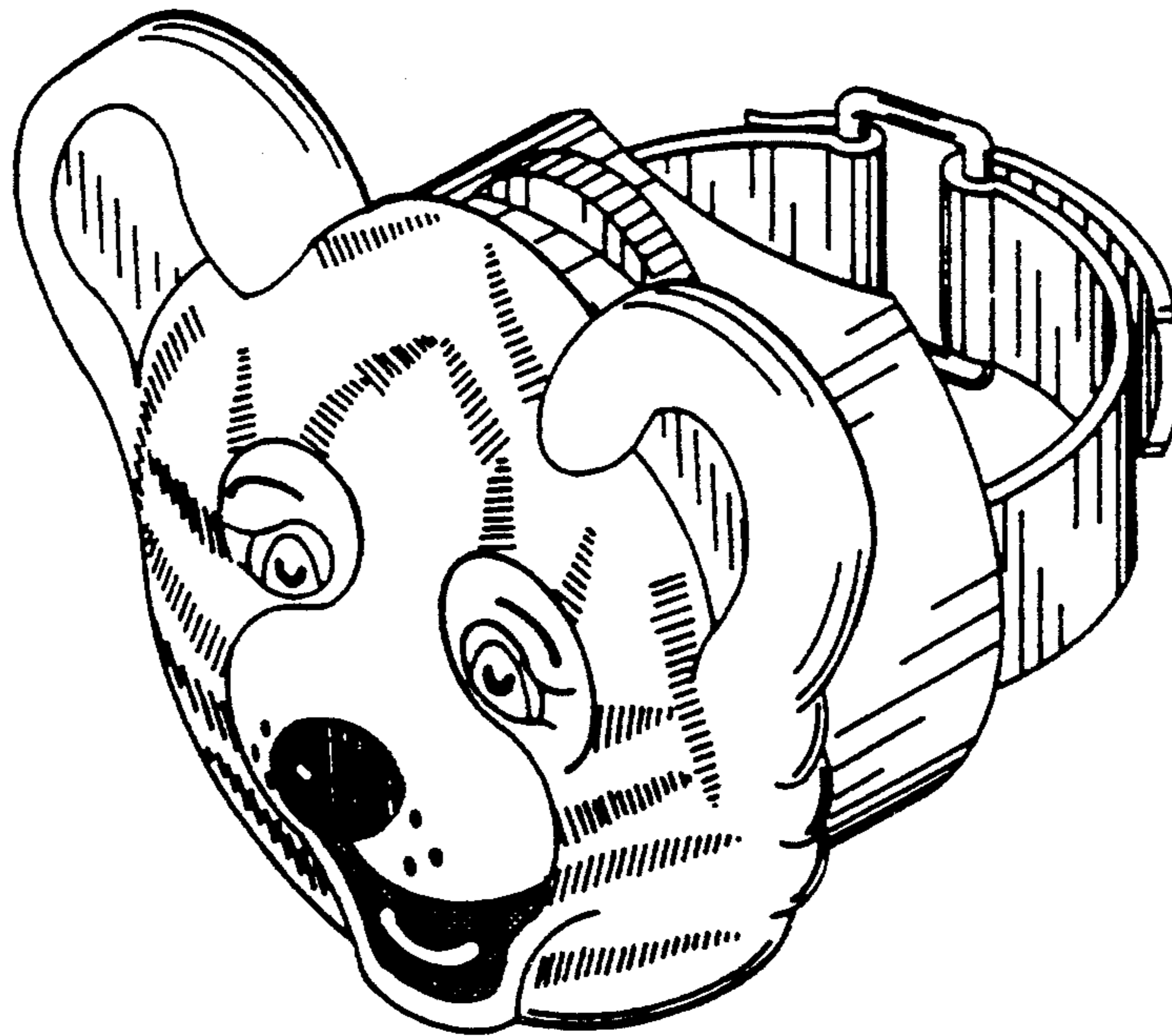
[58] **Field of Search** 455/344, 347, 350, 351; 16/386; D14/188, 189, 192; D21/163; D11/3, 6; D10/34

FIG. 1 is a front perspective view of a portable radio showing my new design;
FIG. 2 is a front elevation thereof;
FIG. 3 is rear elevational view thereof;
FIG. 4 is rear elevational view with the wearer attachment band removed for clarity of illustration;
FIG. 5 is a top plan view thereof;
FIG. 6 is a bottom plan view thereof;
FIG. 7 is a left side elevational view thereof; and,
FIG. 8 is a right side elevational view thereof.

[56] **References Cited**

U.S. PATENT DOCUMENTS

D. 213,123	1/1969	Anderson et al.	D21/163
D. 239,324	3/1976	Vong	D14/189
D. 246,104	10/1977	Vong	D14/192
D. 324,653	3/1992	Mandelli	D10/34



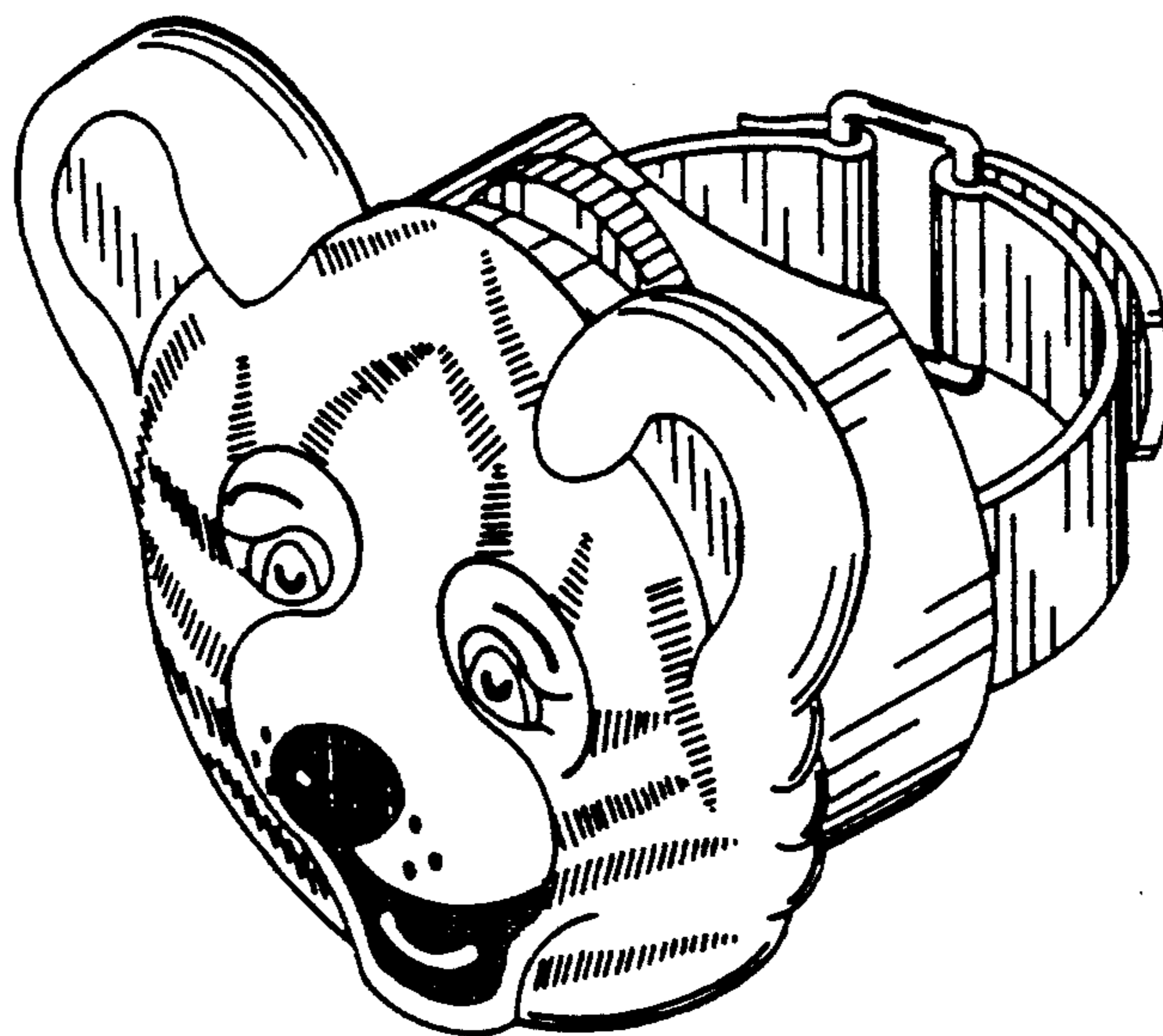


FIG. 1



FIG. 2

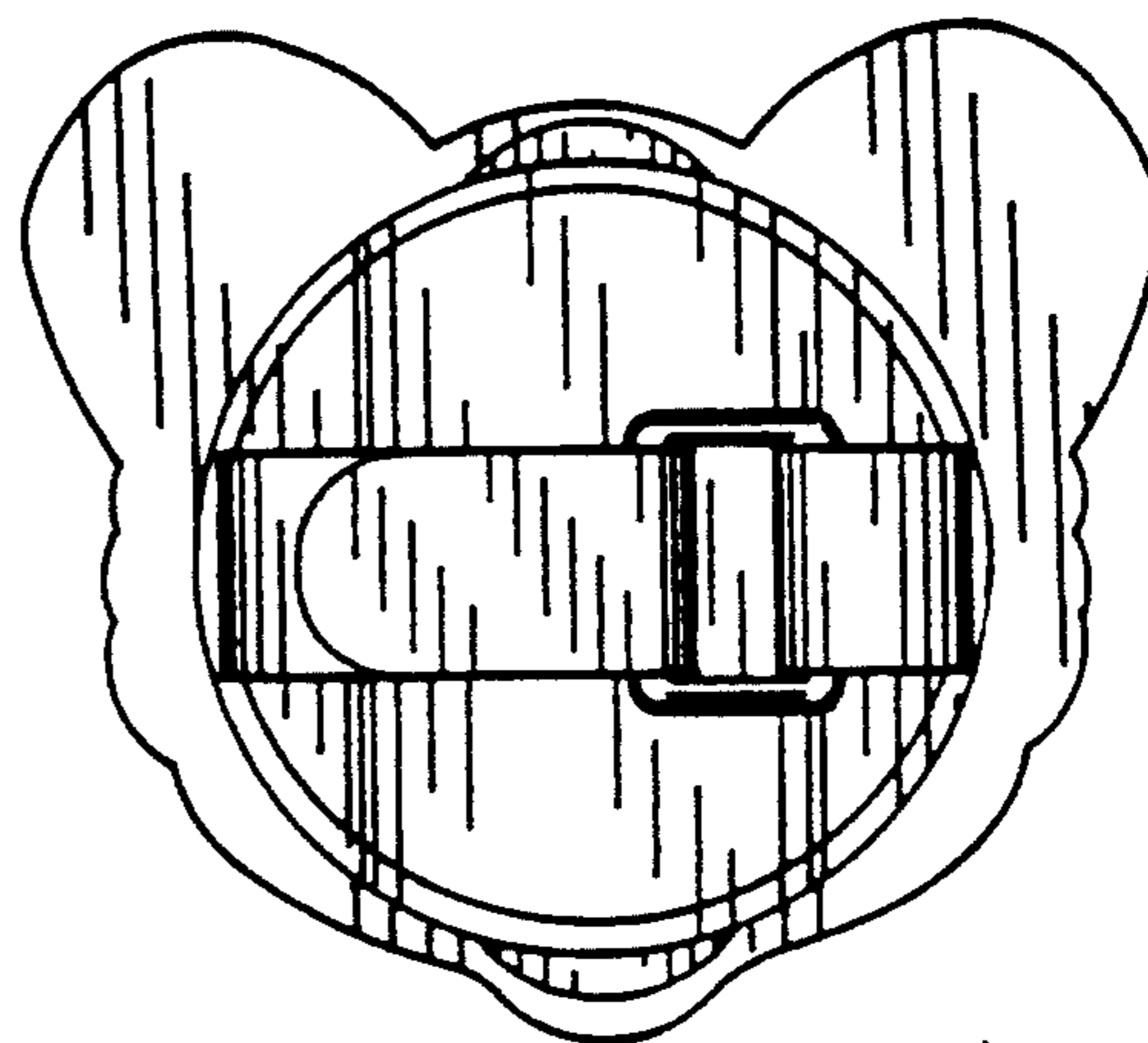


FIG. 3

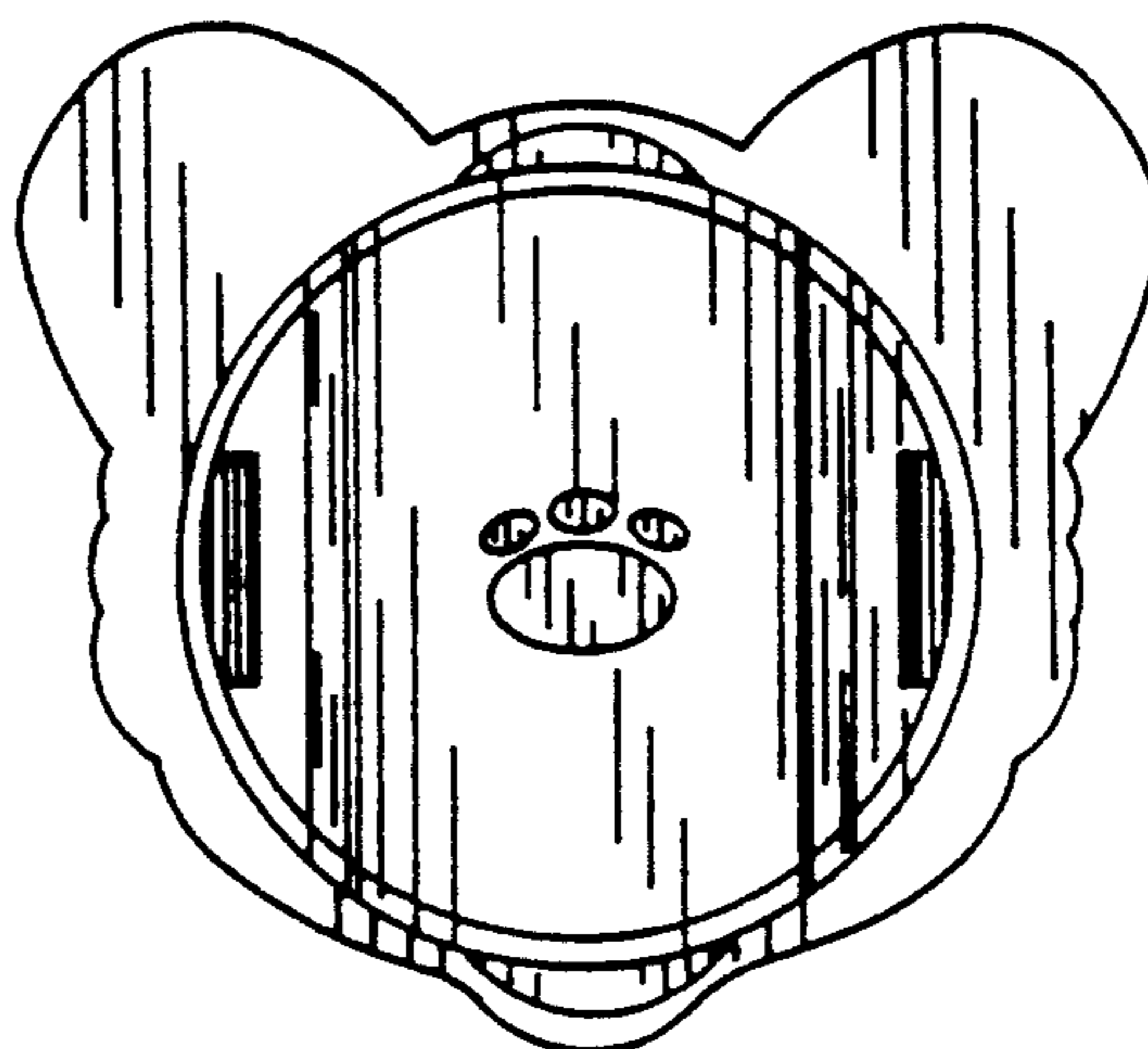


FIG. 4

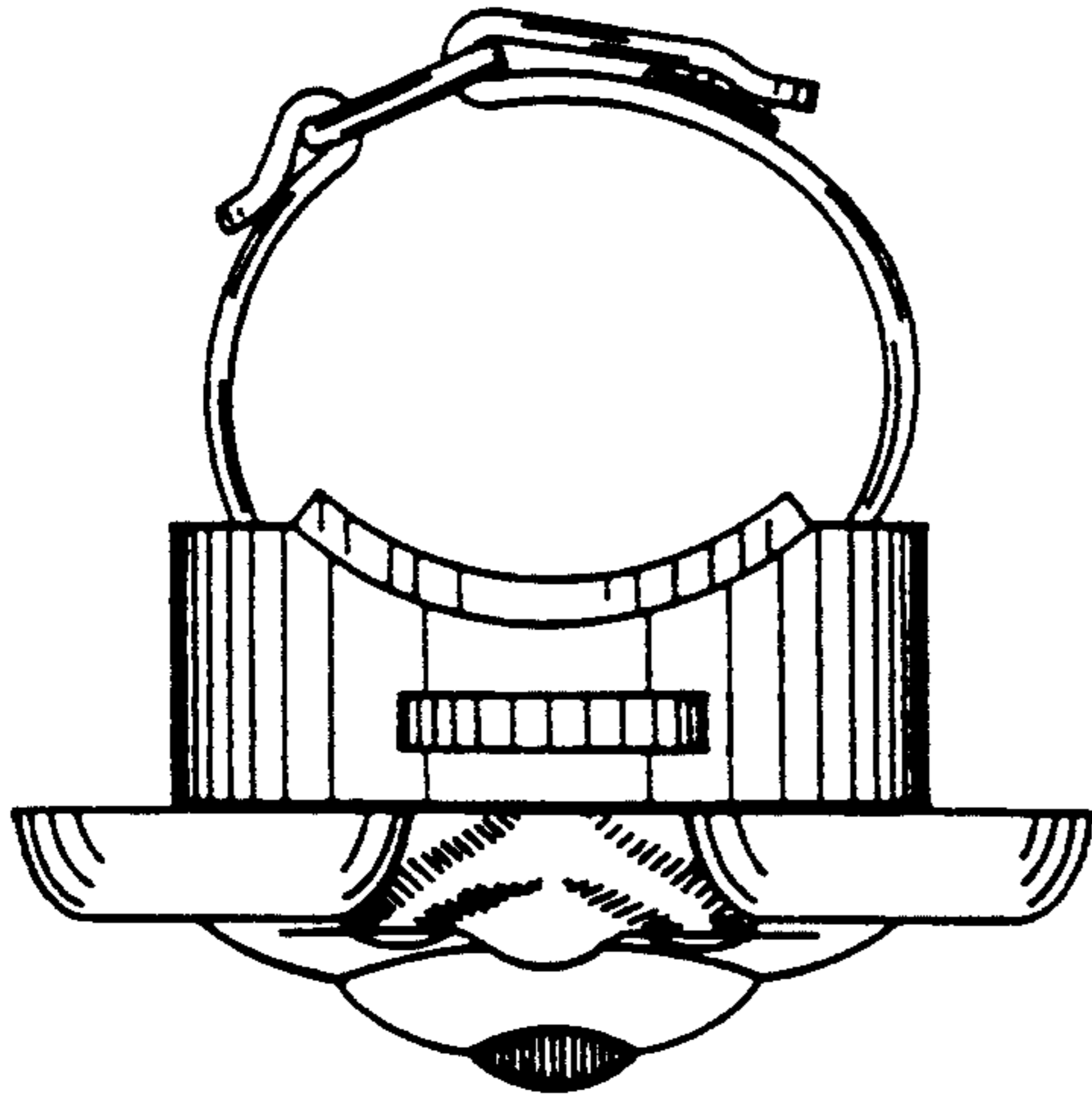


FIG. 5

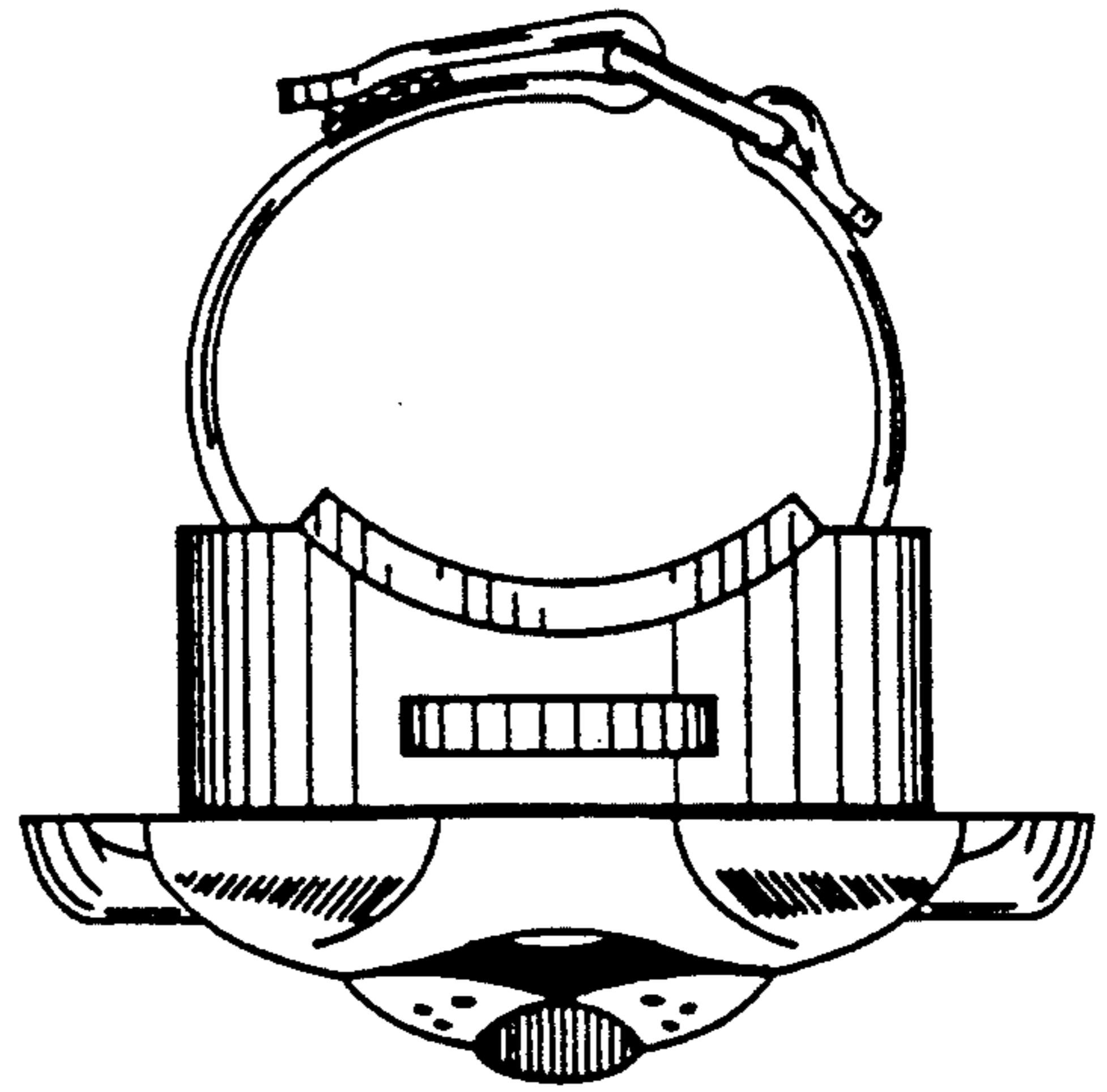


FIG. 6

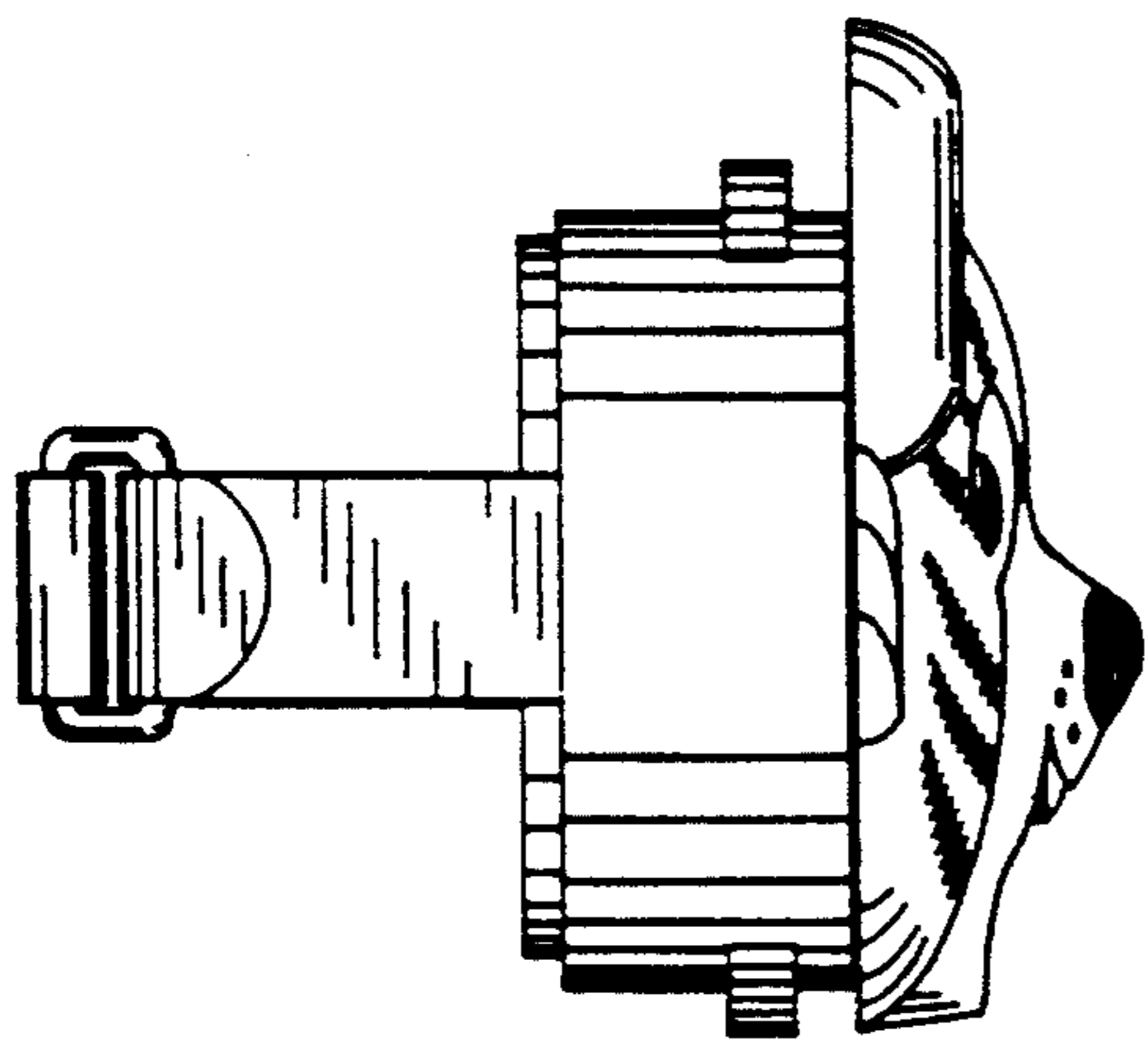


FIG. 7

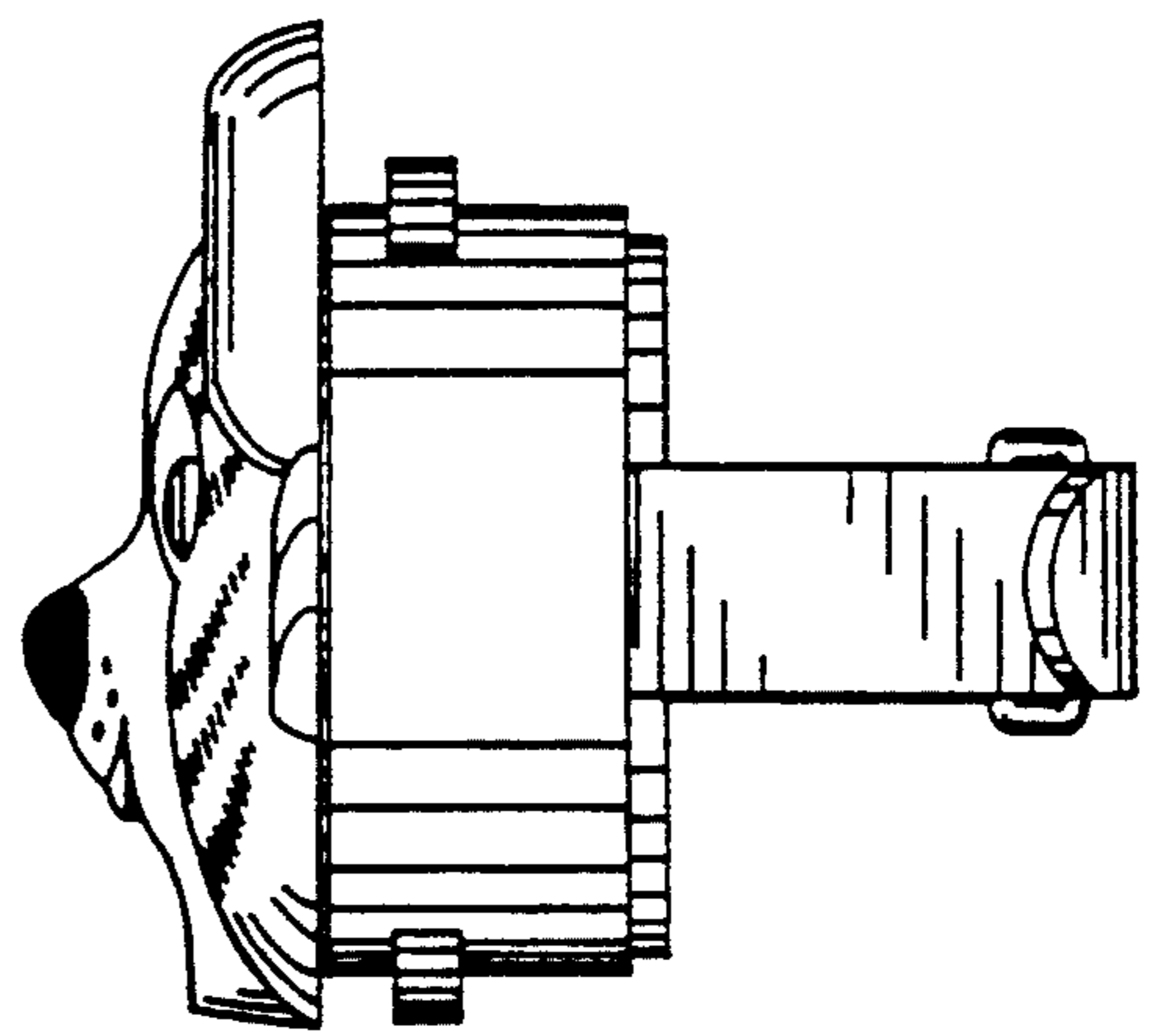


FIG. 8