



US00D346599S

United States Patent [19]

[11] Patent Number: **Des. 346,599**

Wetzel et al.

[45] Date of Patent: **** May 3, 1994**

[54] TELEPHONE SET

[75] Inventors: **Timothy D. Wetzel**, San Jose, Calif.; **Wayne McKinnon**, Georgetown; **David Bryant**, Austin, Tex.; **William McRight**, Round Rock, Tex.; **Pearce Jones**, Austin, Tex.

[73] Assignee: **ROLM Compnay**, Santa Clara, Calif.

[*] Notice: The portion of the term of this patent subsequent to Oct. 5, 2007 has been disclaimed.

[**] Term: **14 Years**

[21] Appl. No.: **901,899**

[22] Filed: **Jun. 22, 1992**

[52] U.S. Cl. **D14/151**

[58] Field of Search 379/419, 428, 436, 440; D14/137, 138, 140, 142, 149-151, 240, 241

[56] References Cited

U.S. PATENT DOCUMENTS

D. 269,613	7/1983	Foggia et al.	D14/151
D. 287,491	12/1986	Brown et al.	D14/151
D. 303,798	10/1989	Yamakawa	D14/151
D. 311,191	10/1990	Ando	D14/241
D. 311,399	10/1990	Ando	D14/241
D. 321,827	11/1991	Ando	D14/241 X
5,121,427	6/1992	Gumb et al.	379/428

OTHER PUBLICATIONS

NEC communications brochure, center front.
 Intertel brochure.
 Siemens "HICOM 100"; Der neue Standard, um einfach komfortabler zu telefonieren. The relevant pp. are 2-5, 7-12 and the last page.
 Siemens "HICOM 100"; Convenience in Communica-

tion. The relevant pages are 3-8, 10-15 and the last page.

Siemens "HICOM 200"; Das ISDN-Kommunikationssystem mit den vielfältigen lösungen. The relevant pages are the cover, 2, 5-11, 13 and the last page.

Siemens "HICOM 200"; The ISDN Communication System For Medium-Size Business. The relevant pages are the cover, 2, 4-5, 7, 9, 10, 13 and the last page.

Siemens "HICOM 300"; Das ISDN-Kommunikationssystem für höchste Ansprüche. The relevant pages are the cover, 5, 7, 10, 18 and the last page.

Siemens "HICOM 300"; The ISDN Communication System For Every Requirement. The relevant pages are the cover, 4-5, 7, 8, 12-13 and the last page.

Primary Examiner—Alan P. Douglas

Assistant Examiner—Jeffrey Asch

Attorney, Agent, or Firm—Michael B. Einschlag

[57] CLAIM

The ornamental design for a telephone set, as shown and described.

DESCRIPTION

FIG. 1 is a perspective view of a telephone set showing our new design;

FIG. 2 is a perspective view, with the display window in an alternate position for use;

FIG. 3 is front elevational view;

FIG. 4 is a top plan view with the handset omitted for convenience of illustration;

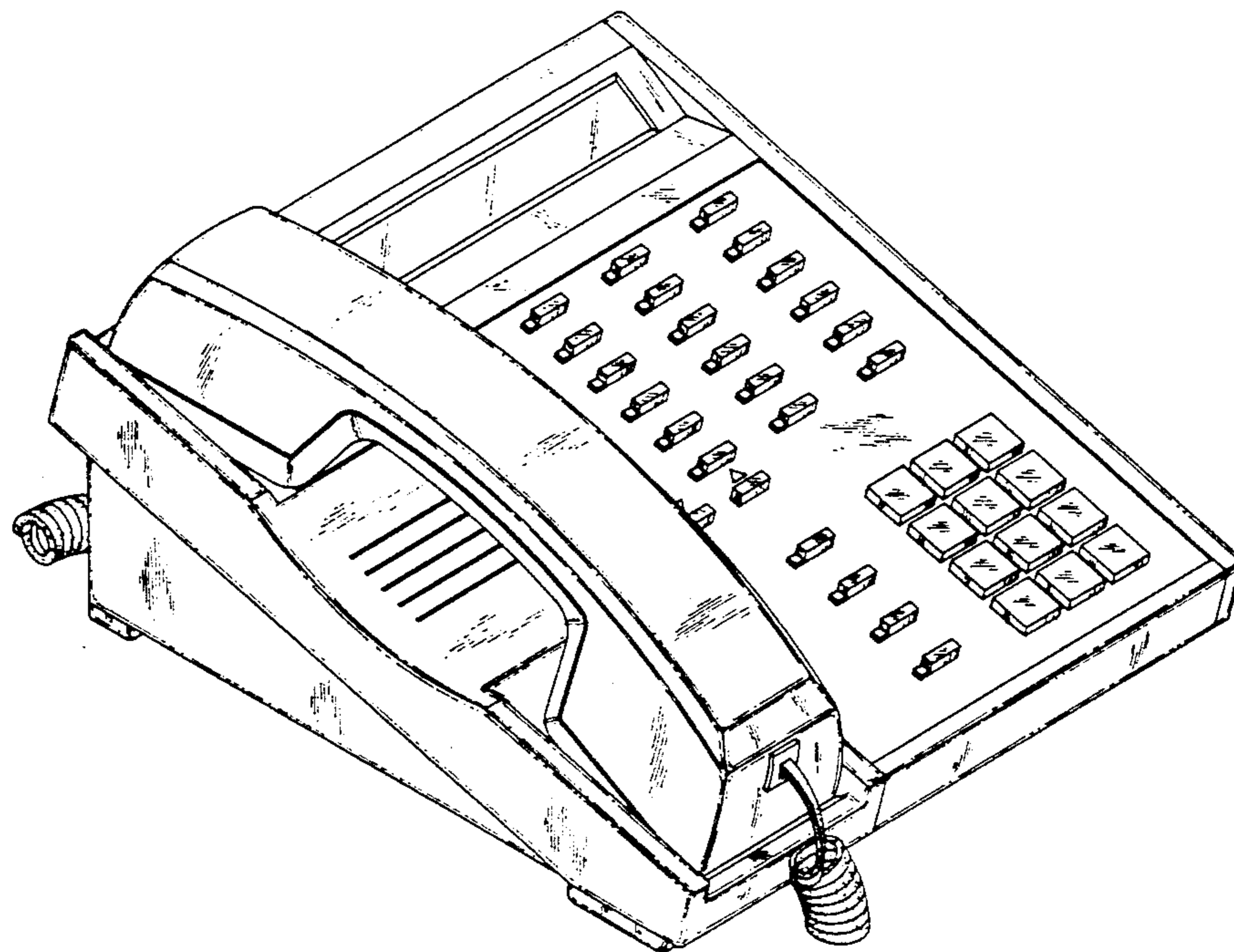
FIG. 5 is a right side elevational view;

FIG. 6 is a left side elevational view;

FIG. 7 is a rear elevational view; and,

FIG. 8 is a bottom plan view.

The telephone cord shown broken away in FIGS. 1-6 is continous throughout.



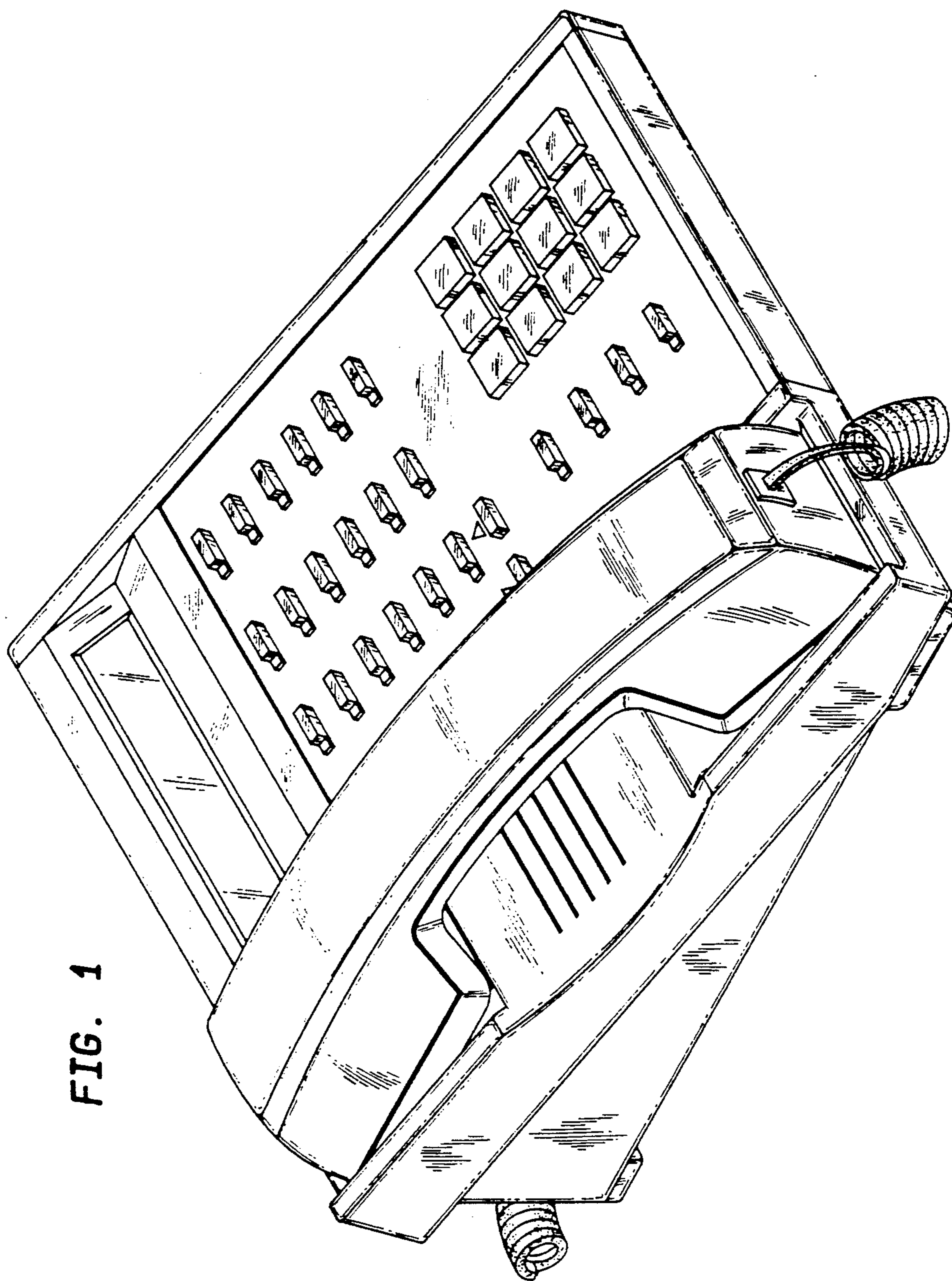


FIG. 1

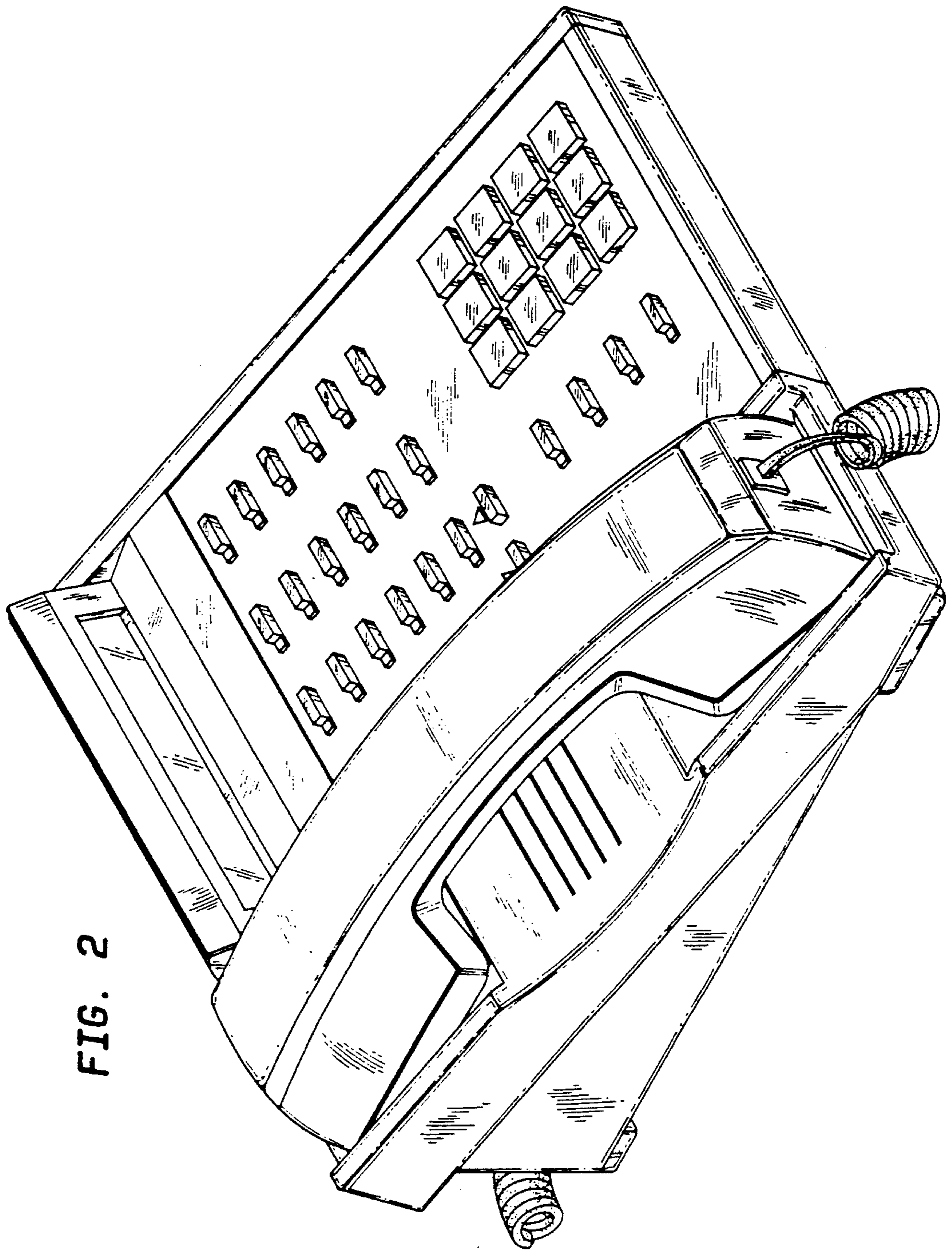


FIG. 2

FIG. 4

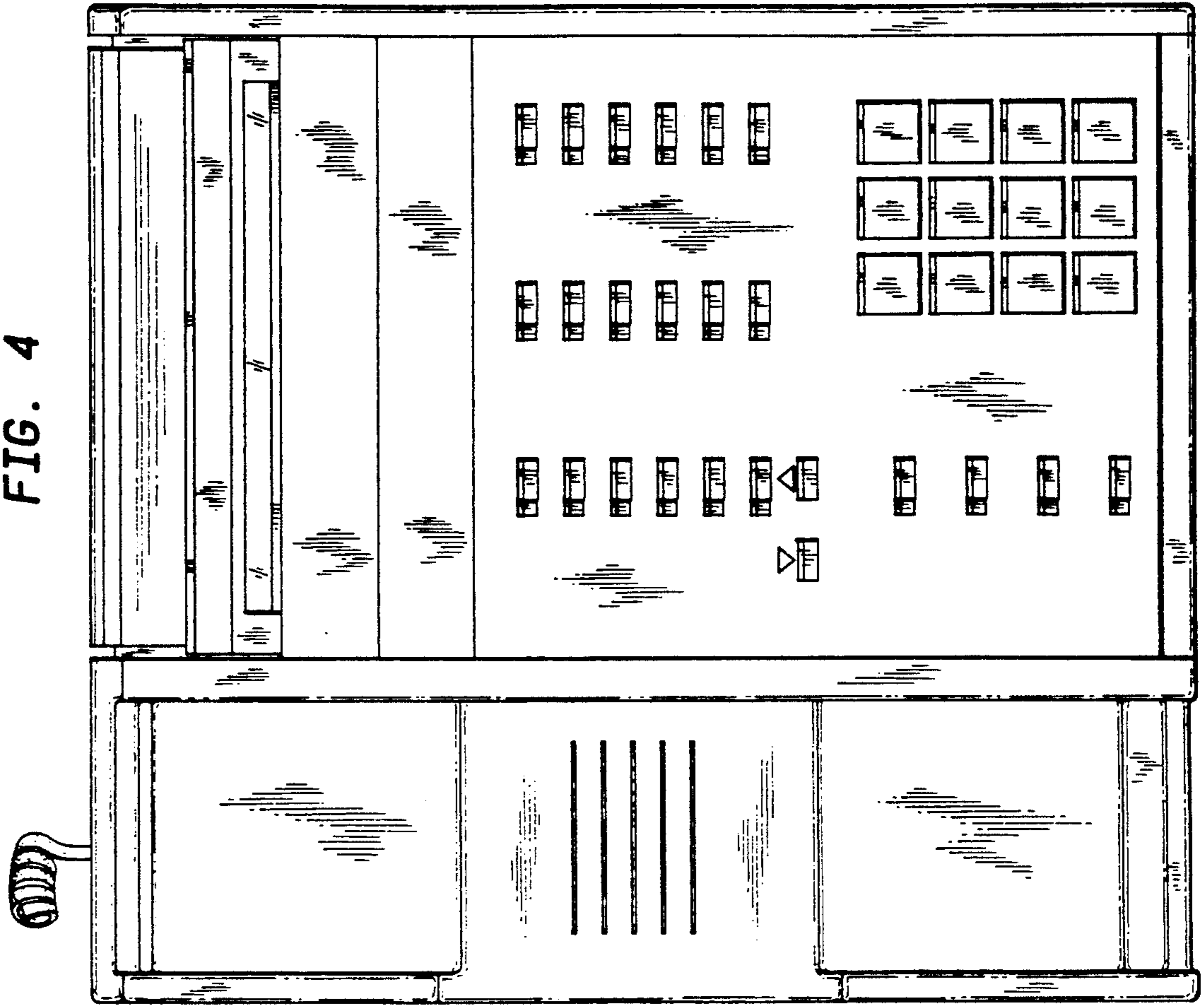


FIG. 3

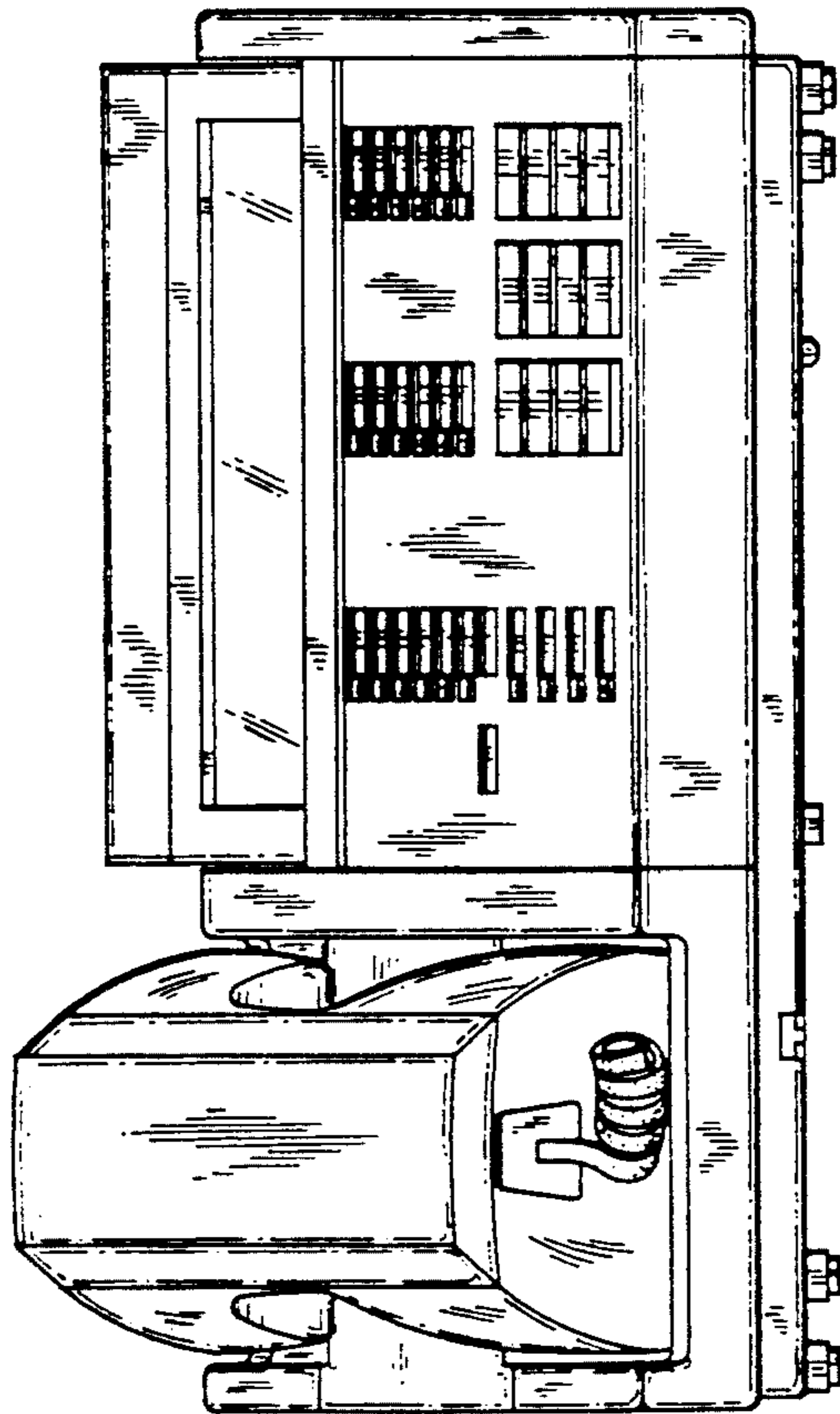


FIG. 5

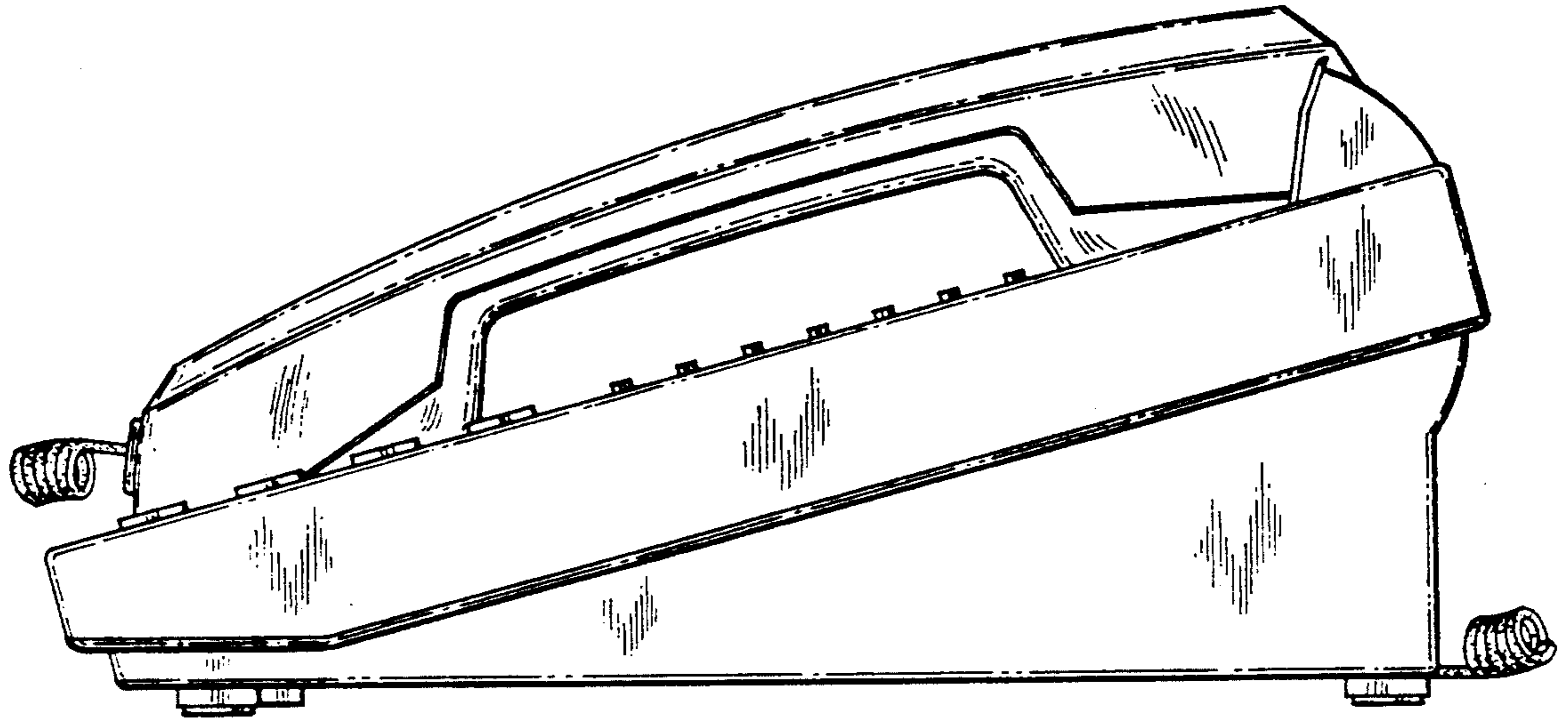


FIG. 6

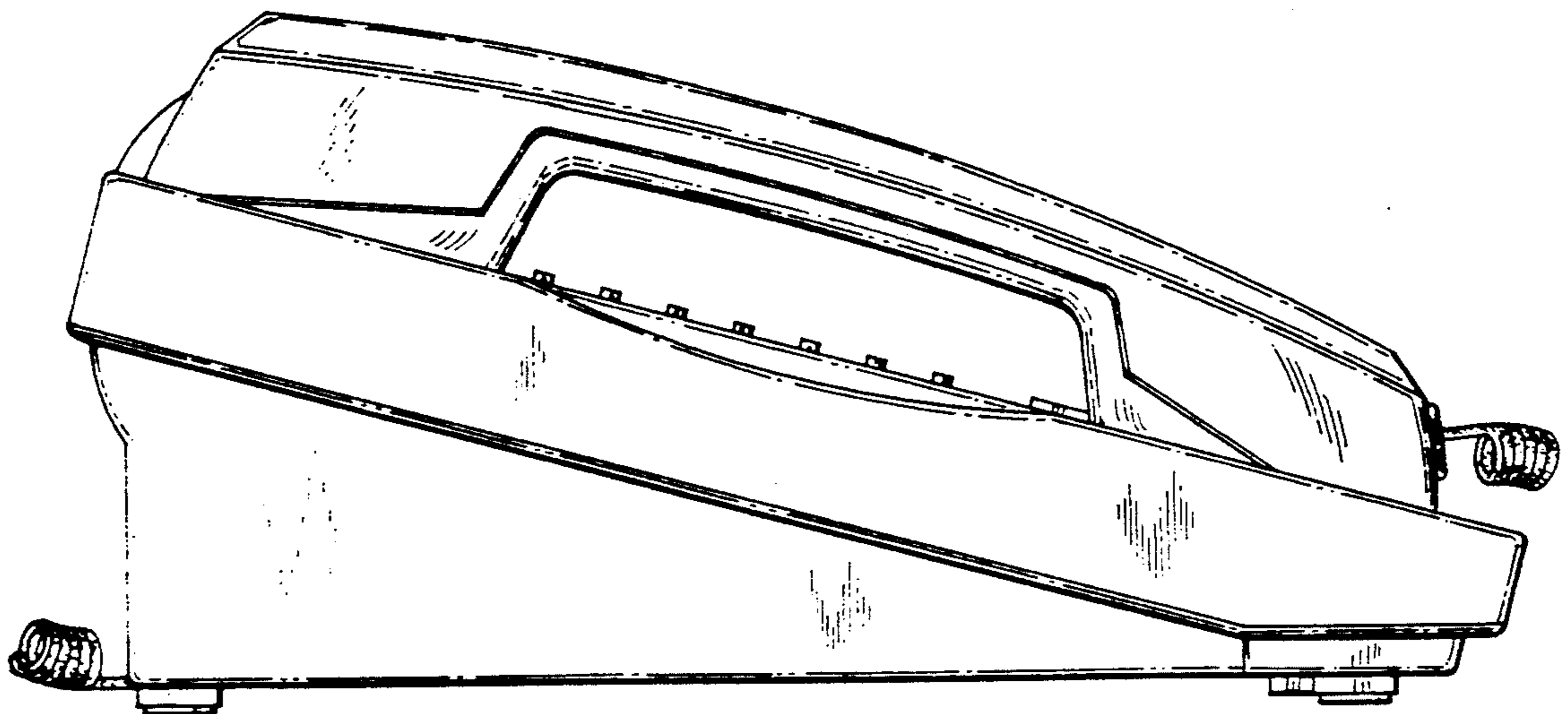


FIG. 7

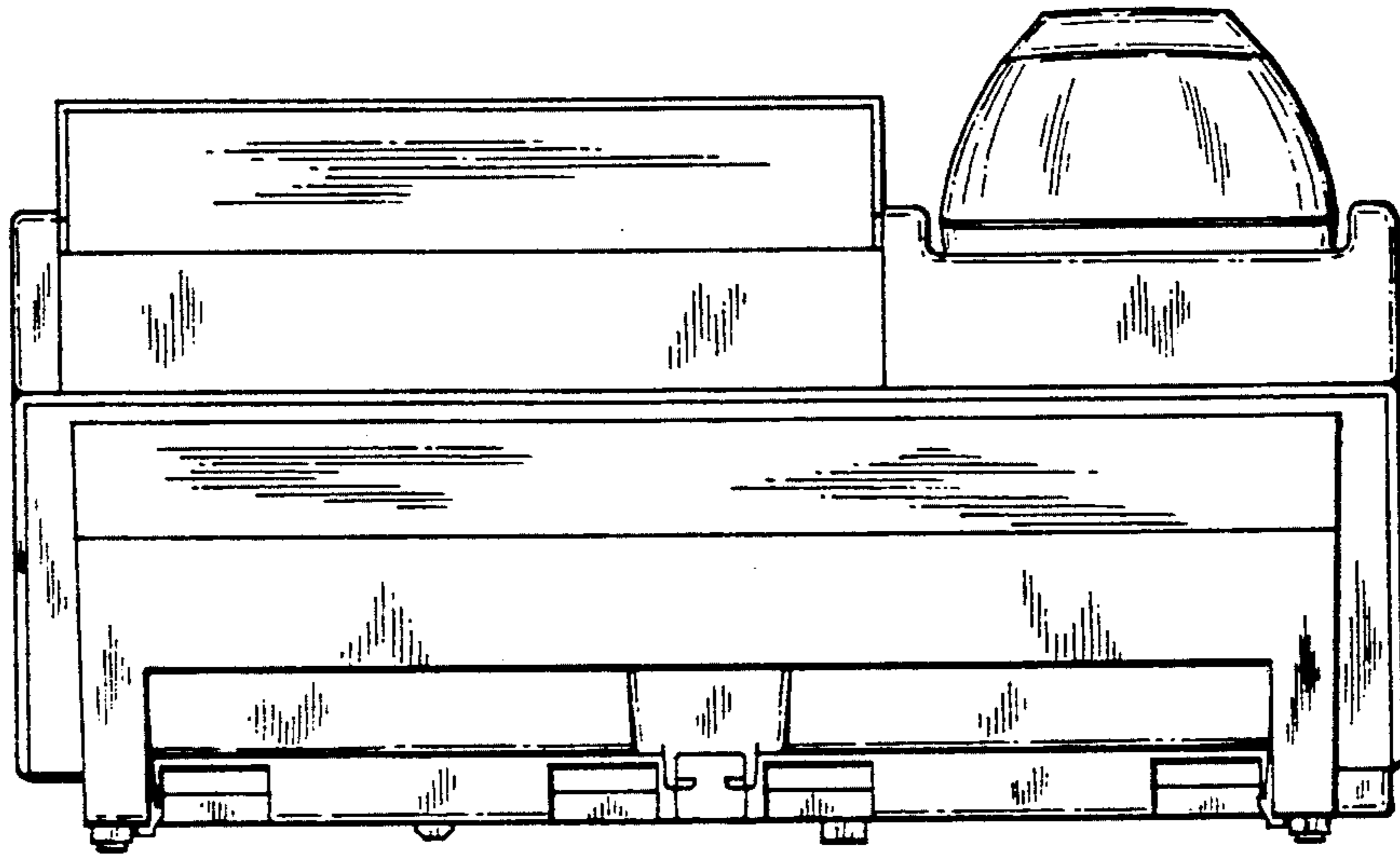


FIG. 8

