



US00D346597S

United States Patent [19]

Tanaka et al.

[11] Patent Number: **Des. 346,597**

[45] Date of Patent: *** May 3, 1994**

[54] **MAGNETIC TAPE CASSETTE**

[75] Inventors: **Masato Tanaka; Kiyotaka Yanaka,**
both of Tokyo, Japan

[73] Assignee: **Sony Corporation, Tokyo, Japan**

[*] Notice: The portion of the term of this patent
subsequent to Feb. 16, 2007 has been
disclaimed.

[**] Term: **14 Years**

[21] Appl. No.: **603,313**

[22] Filed: **Oct. 25, 1990**

[30] **Foreign Application Priority Data**

Apr. 28, 1990 [JP] Japan 2-14555

[52] U.S. Cl. **D14/121**

[58] Field of Search 242/71.8, 197-199;
D14/114, 120-122, 99

[56] **References Cited**

U.S. PATENT DOCUMENTS

- D. 265,195 6/1982 Slingerland D14/121
- D. 293,100 12/1987 Rutkowski D14/121
- D. 303,795 10/1989 Brown D14/121
- 4,775,911 10/1988 Sato et al. D14/121 X

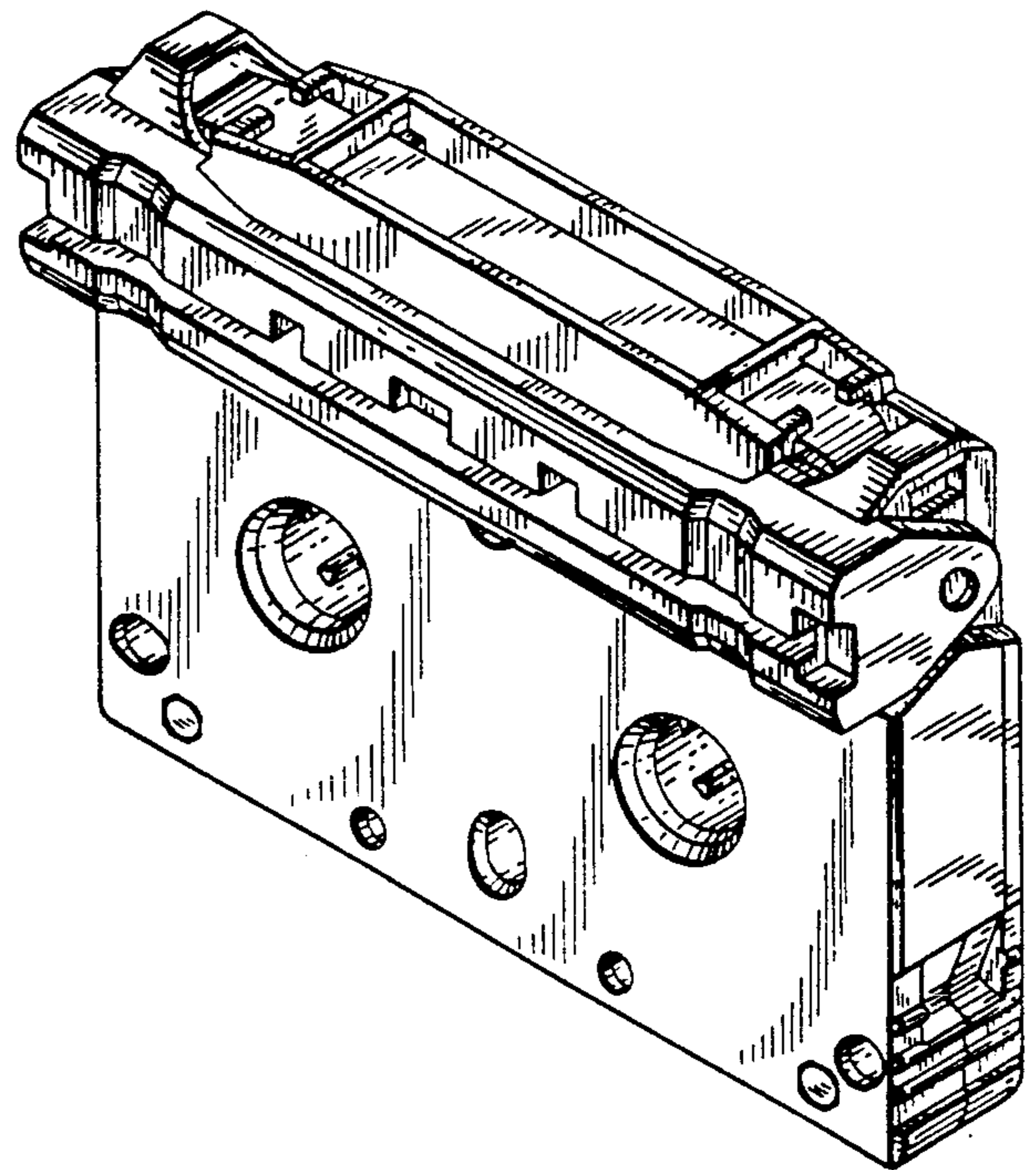
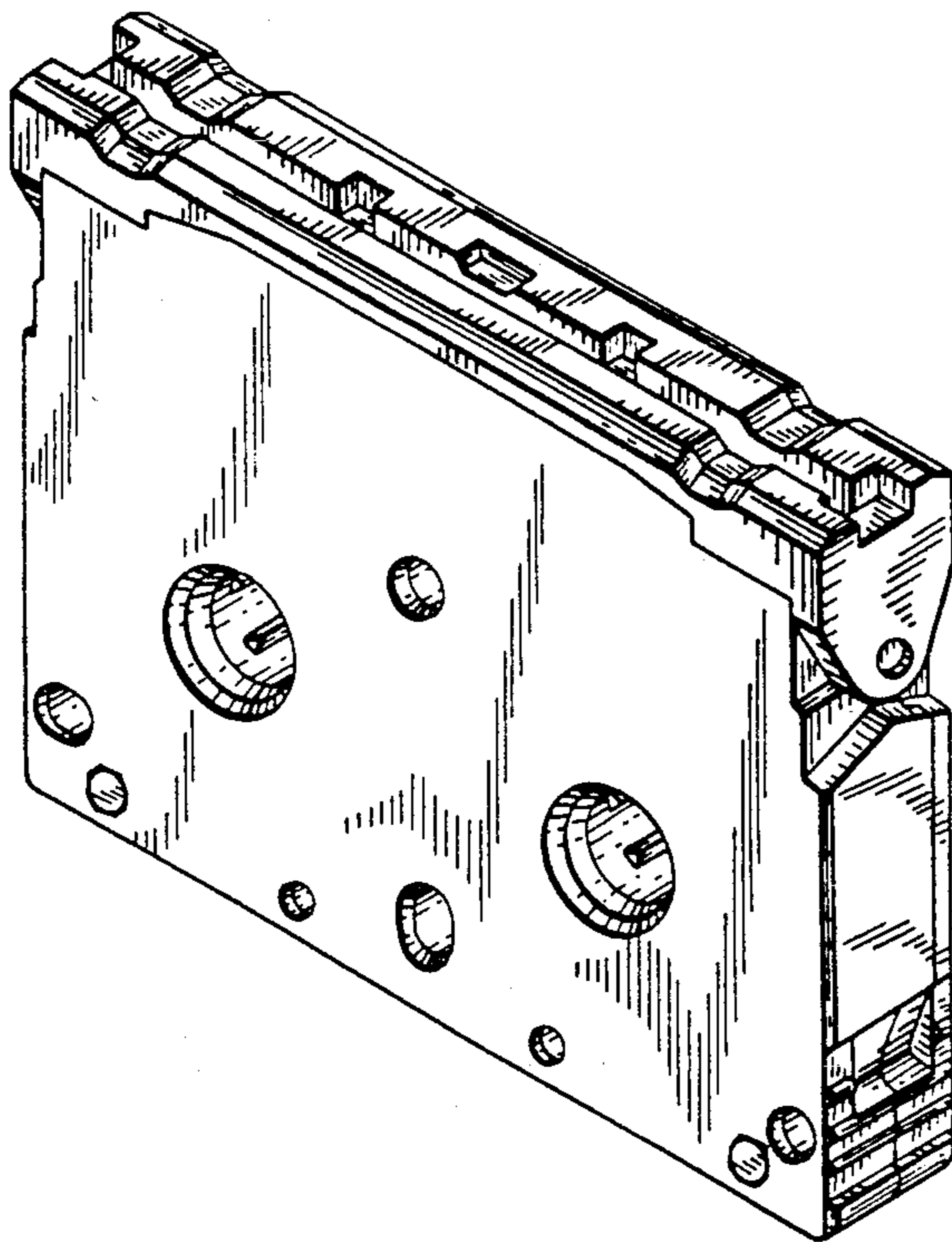
Primary Examiner—Theodore M. Shooman
Attorney, Agent, or Firm—Lewis H. Eslinger; Jay H. Maioli

[57] **CLAIM**

The ornamental design for a magnetic tape cassette, as shown and described.

DESCRIPTION

FIG. 1 is a top, front and right-side perspective view of a magnetic tape cassette showing our new design; FIG. 2 is a top, front and right-side perspective view thereof, shown with lid in the opened position; FIG. 3 is a front elevational view thereof; FIG. 4 is a rear elevational view thereof; FIG. 5 is a right-side elevational view thereof, the left side being a mirror image thereof; FIG. 6 is a top plan view thereof; and, FIG. 7 is a bottom plan view thereof.



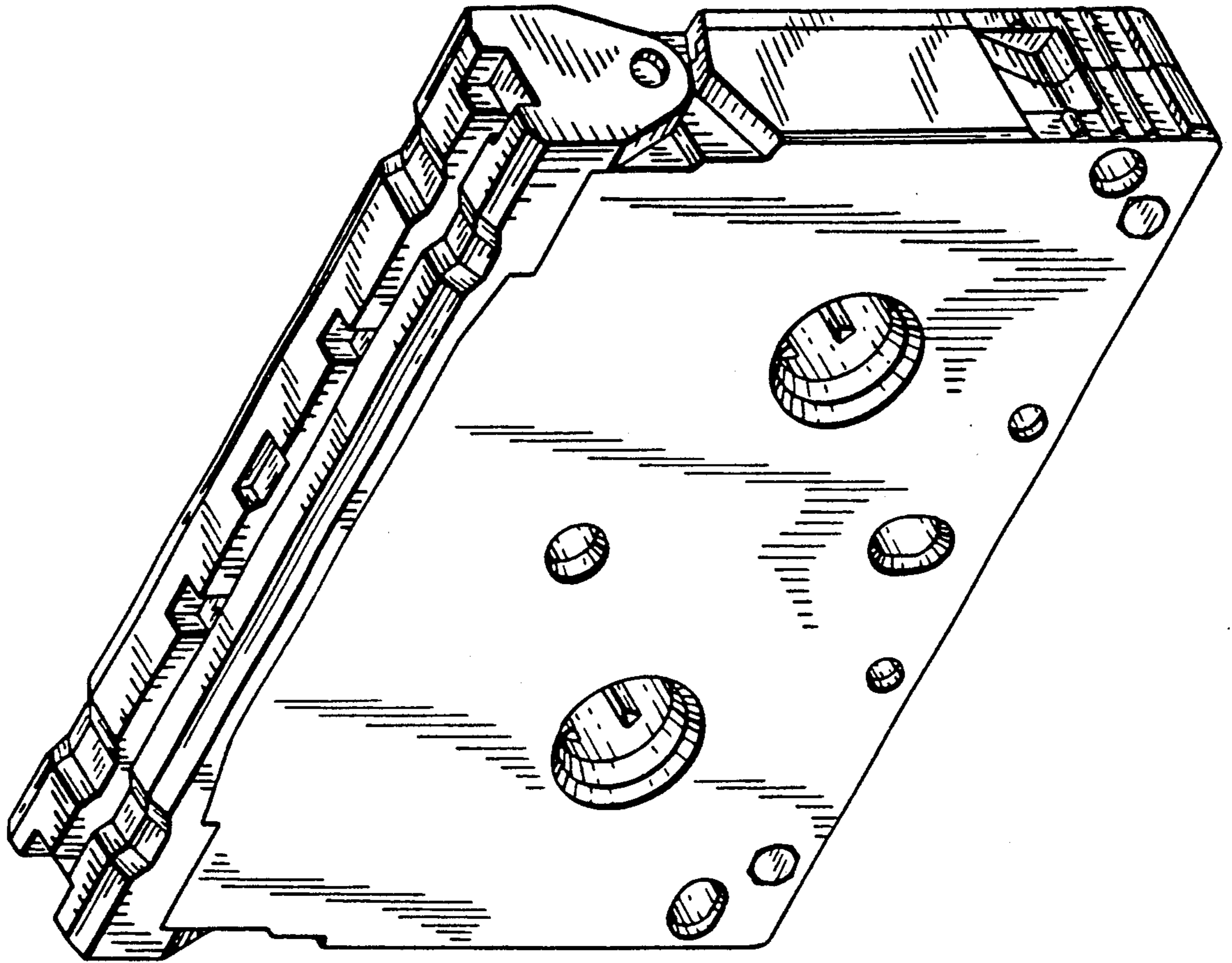


FIG. 1

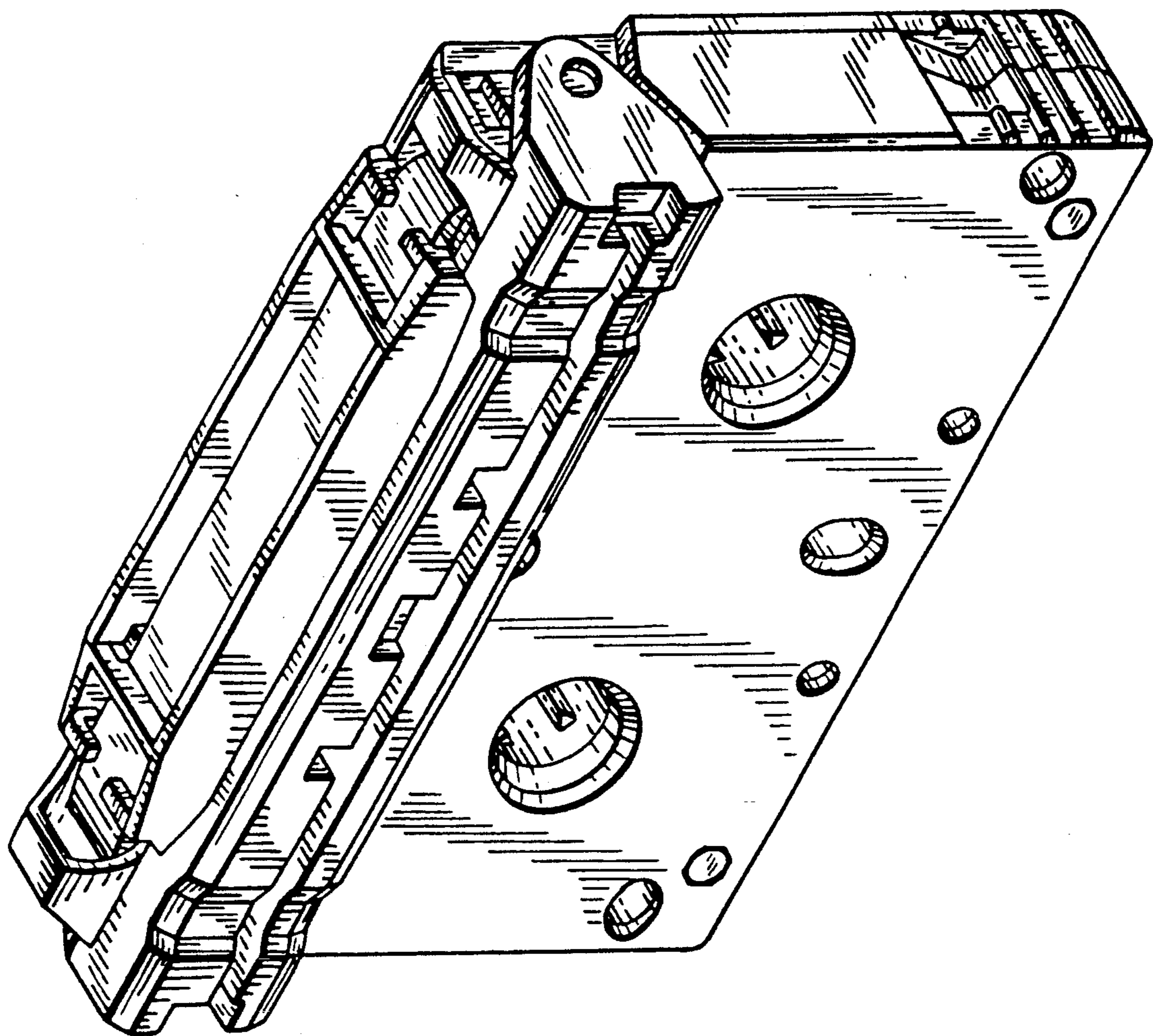


FIG. 2

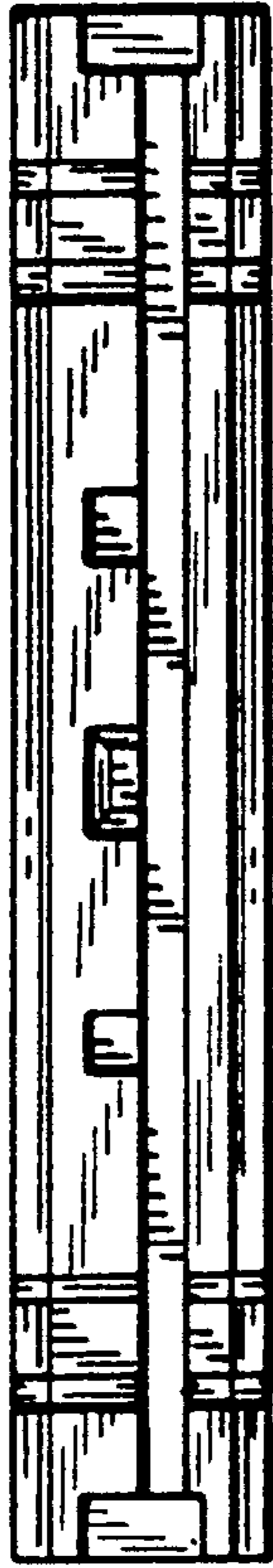


FIG. 6



FIG. 7

FIG. 3

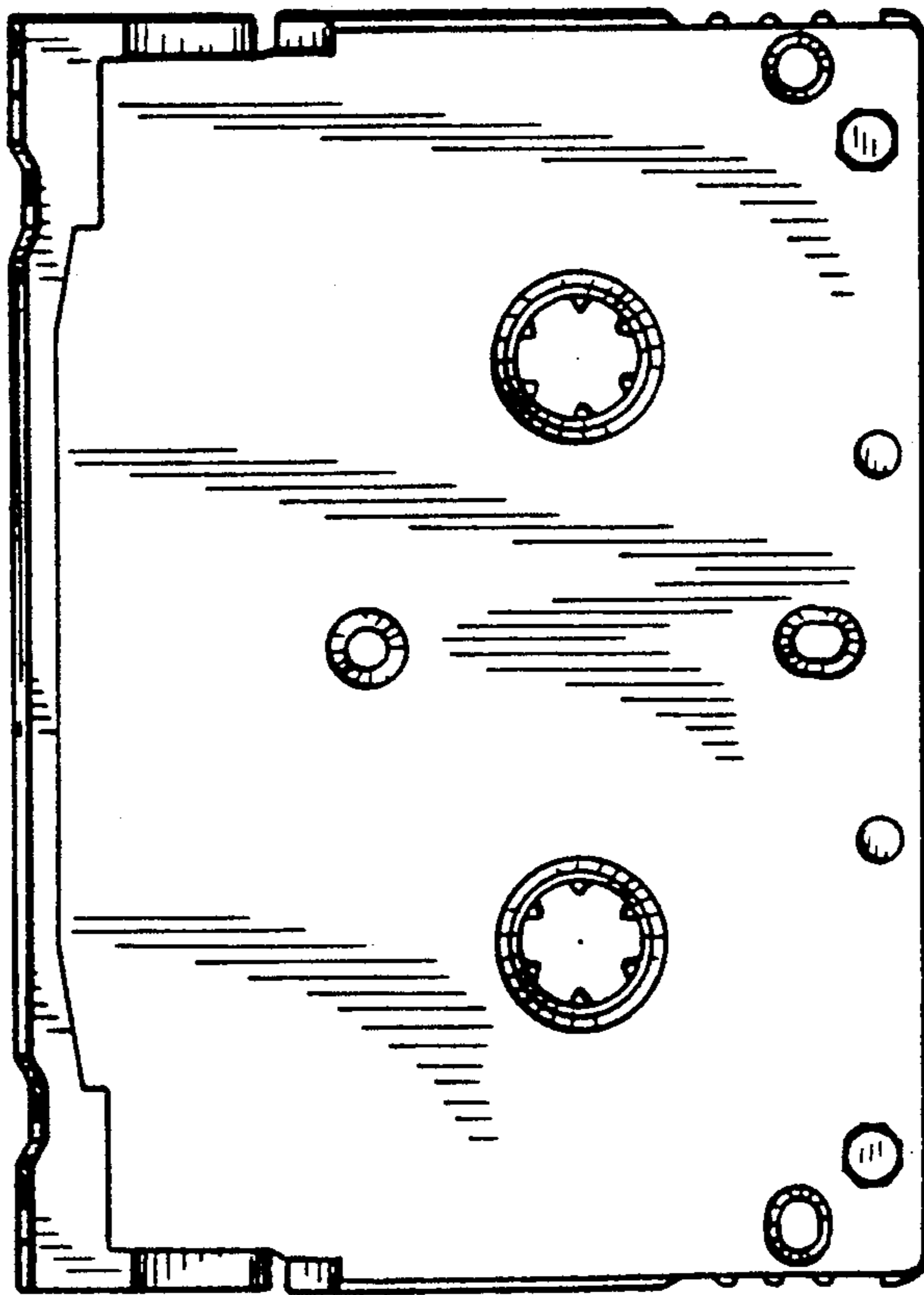


FIG. 5



FIG. 4

