



US00D346596S

United States Patent [19]

[11] Patent Number: **Des. 346,596**

Kajita et al.

[45] Date of Patent: **** May 3, 1994**

[54] **OPTICAL DISK CARTRIDGE**

D. 315,900	4/1991	Iwata	D14/114
D. 328,457	8/1992	Matsuzaka	D14/114
5,041,923	8/1991	Iwata et al.	360/133 X

[75] Inventors: **Takashi Kajita; Masahiko Happo; Tomiaki Shirakawa**, all of Tokyo, Japan

Primary Examiner—Wallace R. Burke
Assistant Examiner—M. H. Tung
Attorney, Agent, or Firm—Oblon, Spivak, McClelland, Maier & Neustadt

[73] Assignee: **Kabushiki Kaisha Toshiba**, Kawasaki, Japan

[**] Term: **14 Years**

[57] **CLAIM**

[21] Appl. No.: **2,233**

The ornamental design for an optical disk cartridge, as shown.

[22] Filed: **Dec. 4, 1992**

DESCRIPTION

[30] **Foreign Application Priority Data**

Jun. 4, 1992	[JP]	Japan	4-16353
Jun. 4, 1992	[JP]	Japan	4-16360

[52] U.S. Cl. **D14/114**

[58] Field of Search 360/60, 132-133, 360/135, 97.01-99.12; 206/312, 444; D3/30.1, 35; D14/100, 107, 114

FIG. 1 is a top, front and right side perspective view of an optical disk cartridge showing our new design; FIG. 2 is a front elevational view thereof; FIG. 3 is a right side elevational view thereof; FIG. 4 is a top plan view thereof; FIG. 5 is a bottom plan view thereof; FIG. 6 is a rear elevational view thereof; FIG. 7 is a left side elevational view thereof; FIG. 8 is a second embodiment of FIG. 1; FIG. 9 is a front elevational view thereof; FIG. 10 is a right side elevational view thereof; FIG. 11 is a top plan view thereof; FIG. 12 is a bottom plan view thereof; FIG. 13 is a rear elevational view thereof; and, FIG. 14 is a left side elevational view thereof.

[56] **References Cited**

U.S. PATENT DOCUMENTS

D. 297,938	10/1988	Hara	D14/114
D. 307,893	5/1990	Kato et al.	D14/114
D. 311,181	10/1990	Miyazawa	D14/114
D. 311,526	10/1990	Hamada et al.	D14/114

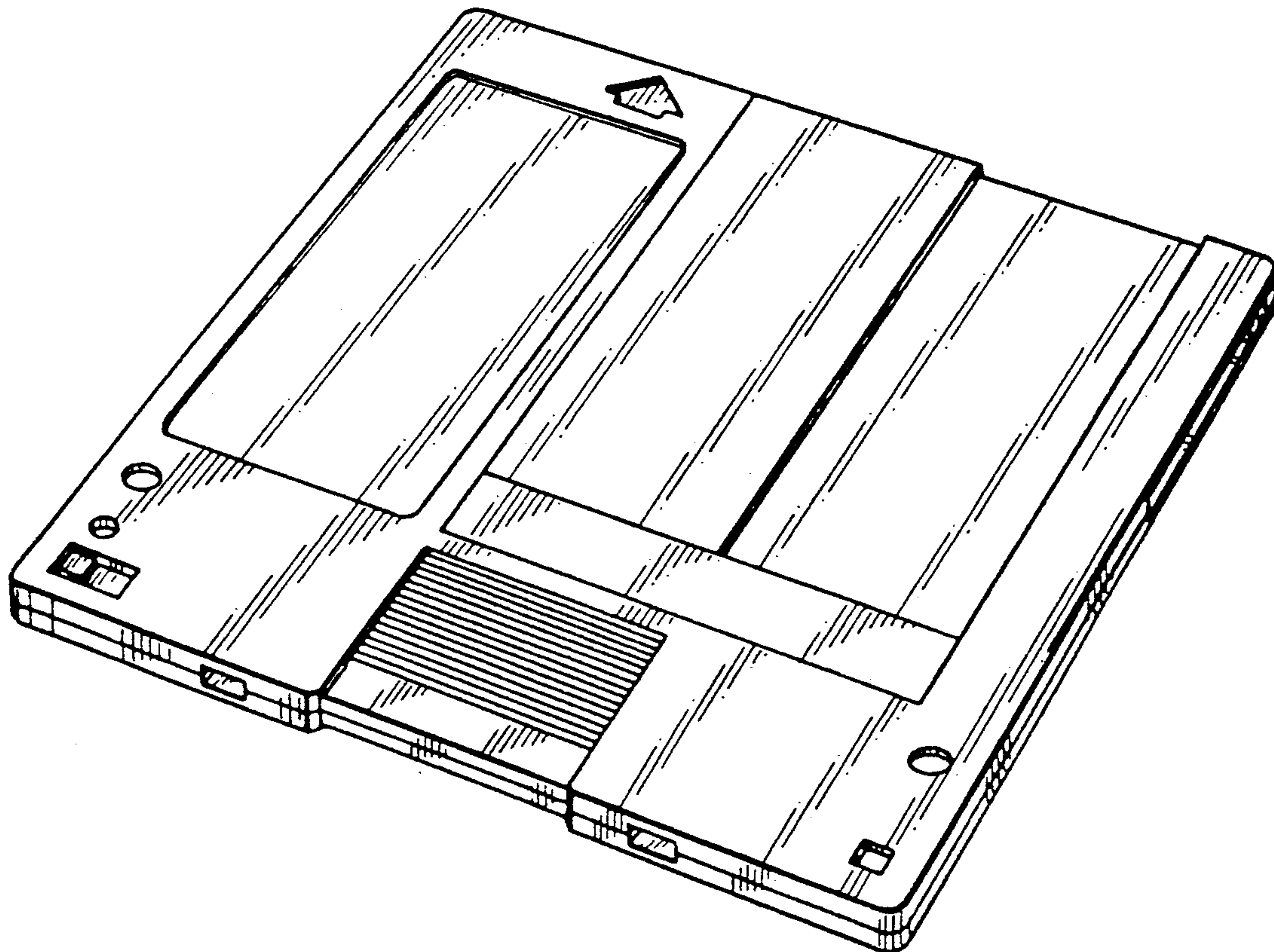


FIG. 1

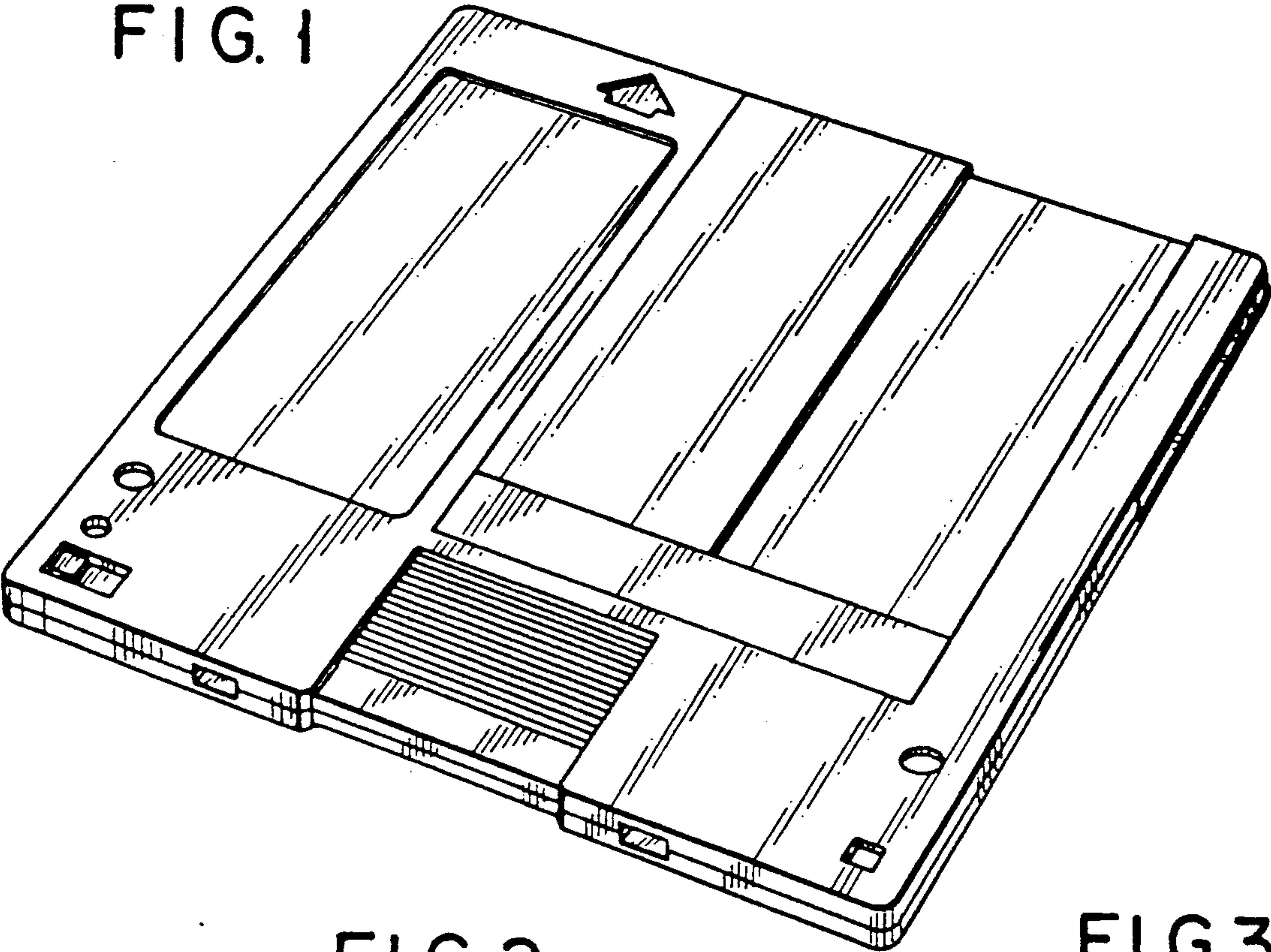


FIG. 2

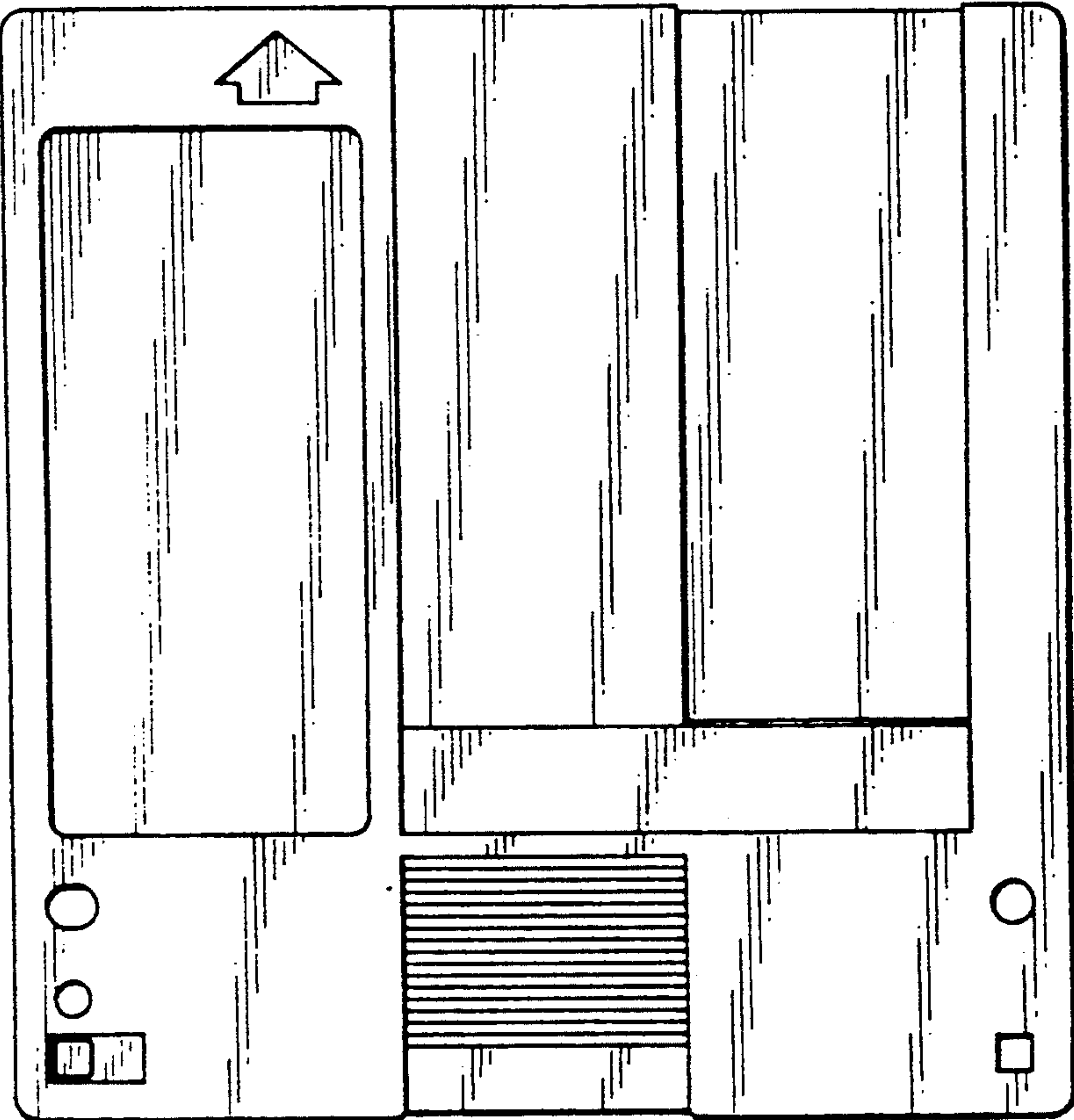


FIG. 3



FIG. 4

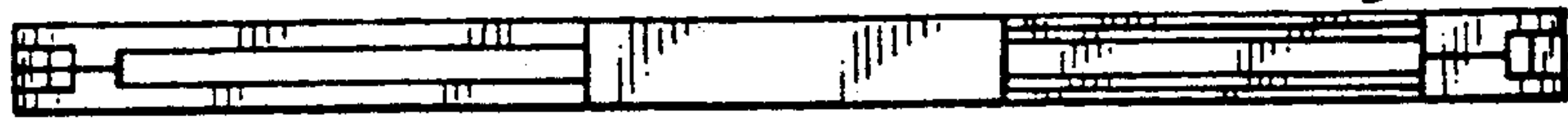


FIG. 5

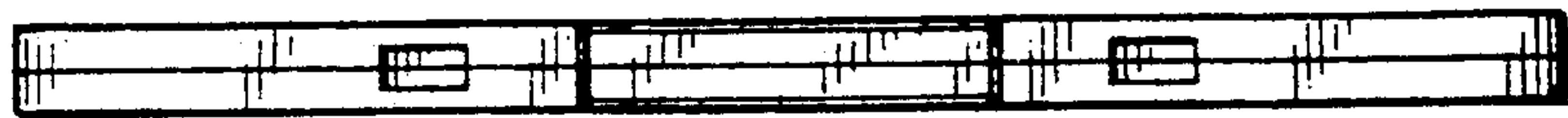


FIG. 6

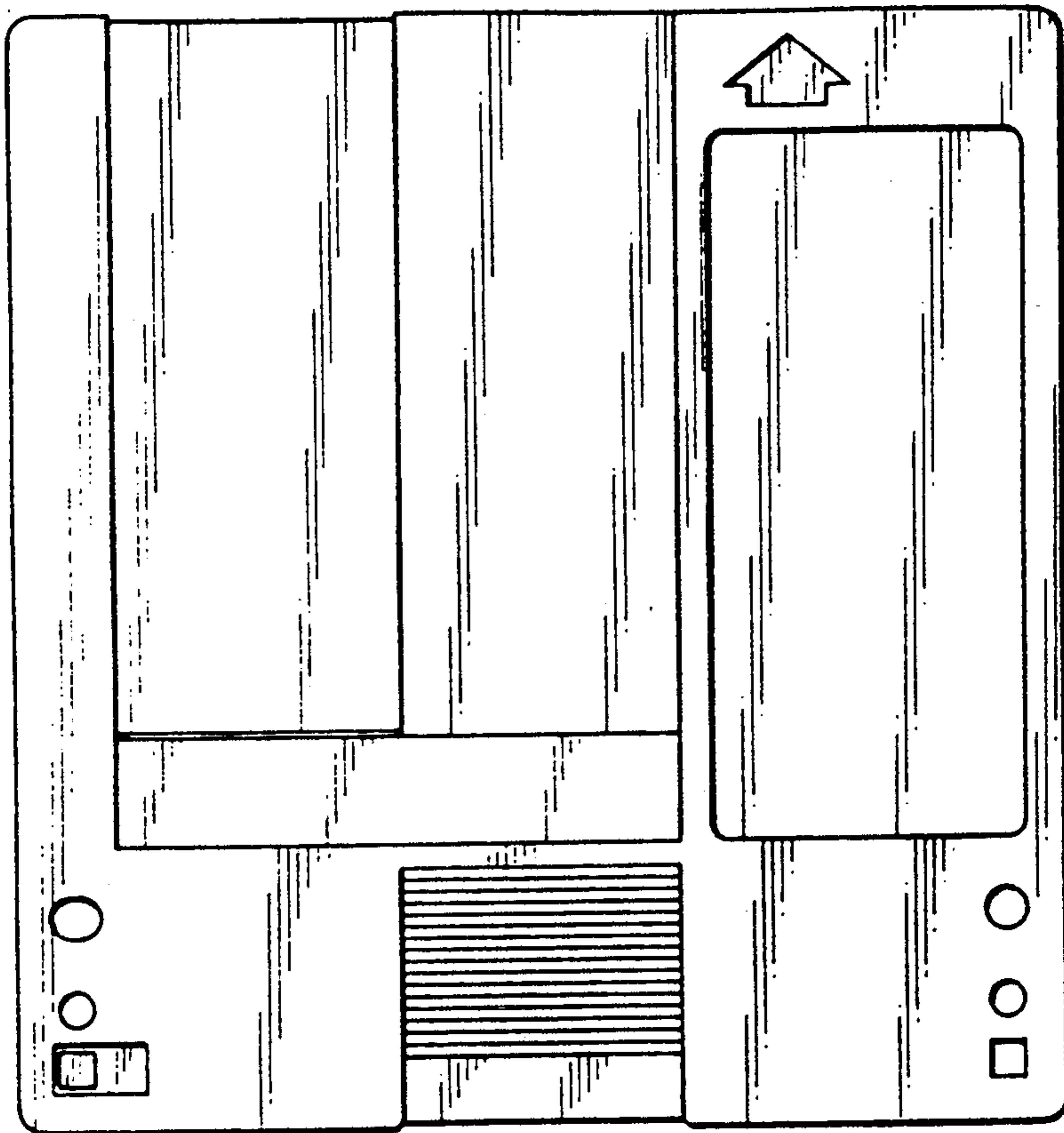


FIG. 7



FIG. 8

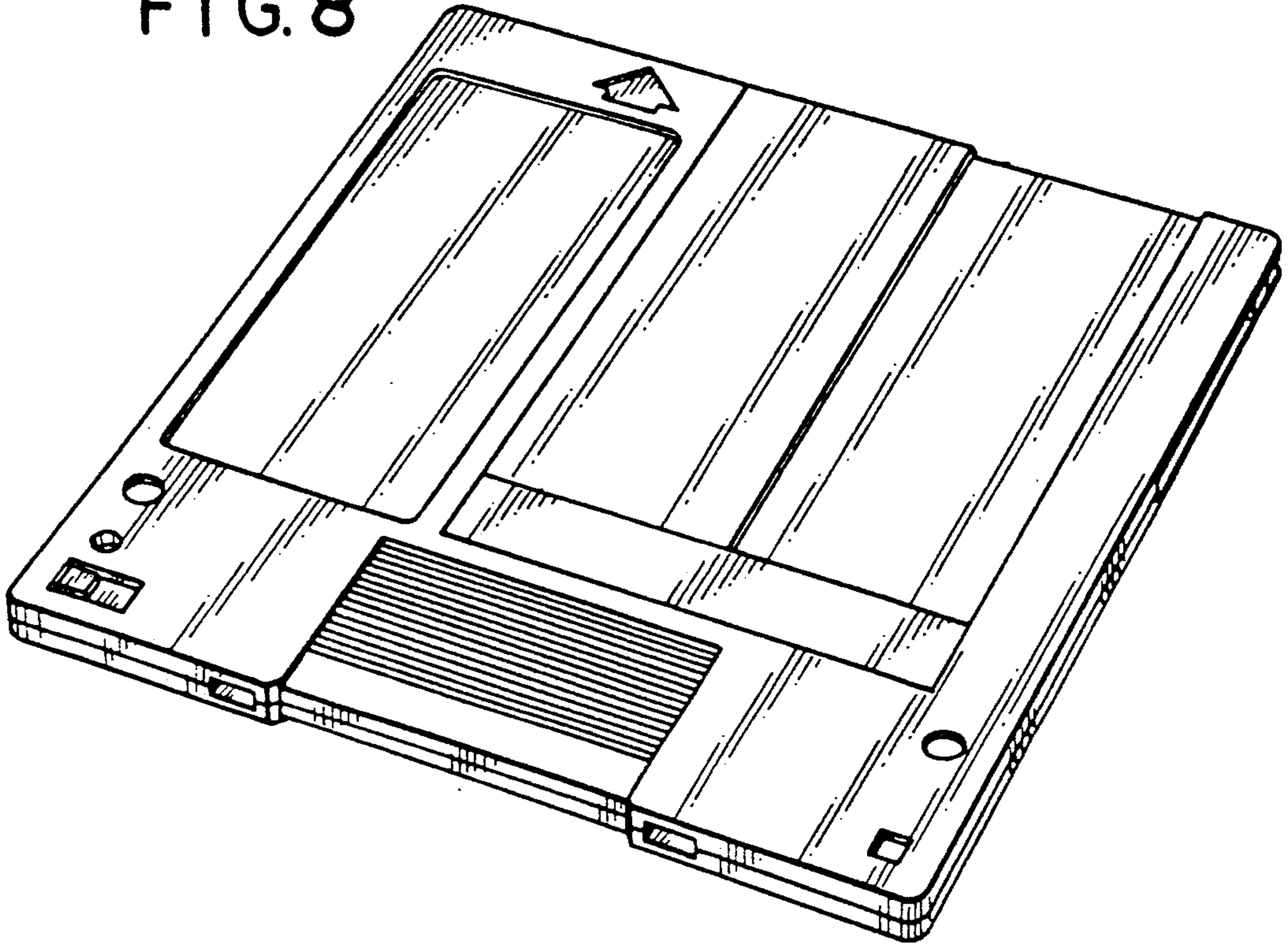


FIG. 9

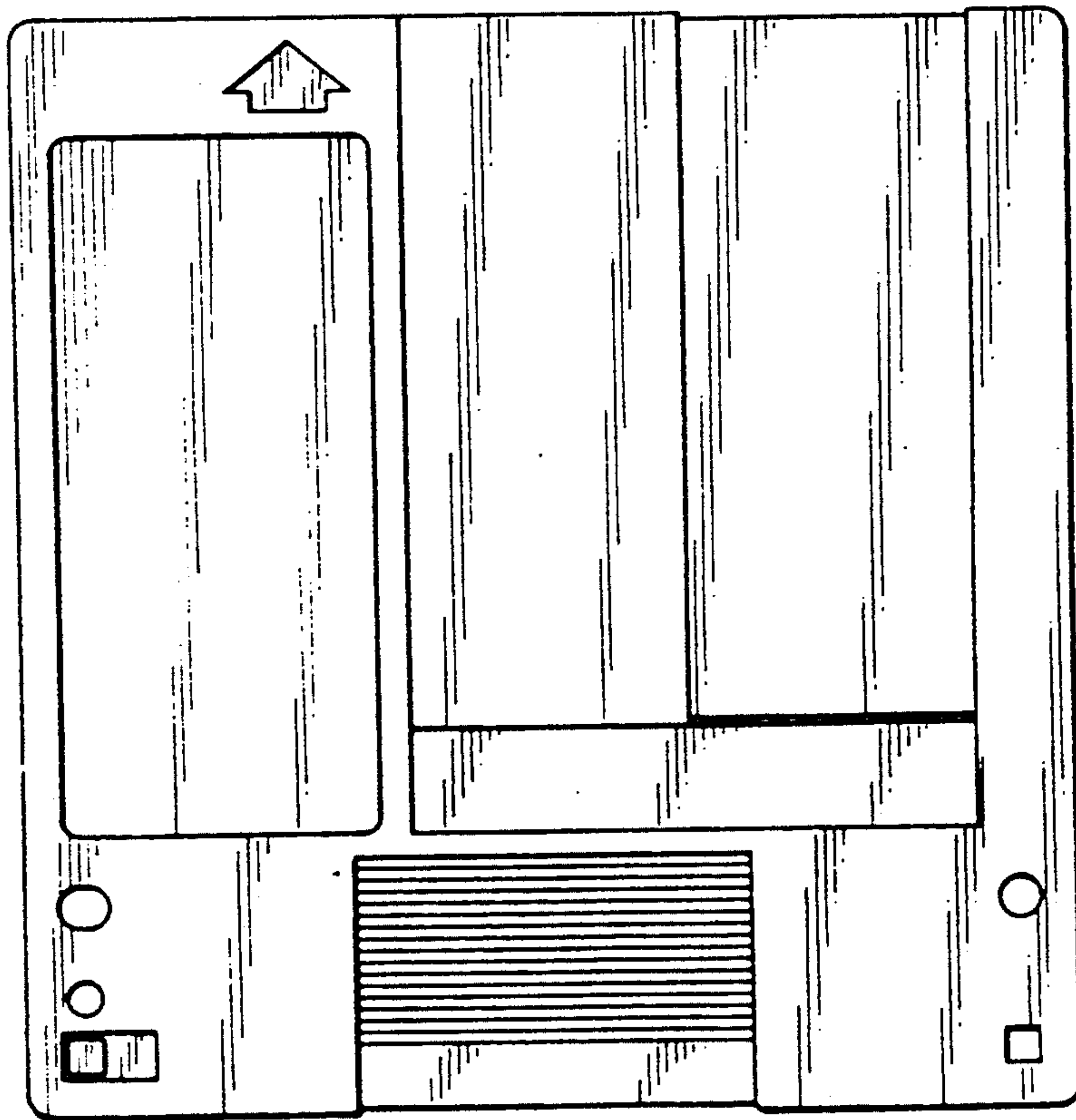


FIG. 10



FIG. 11



FIG. 12

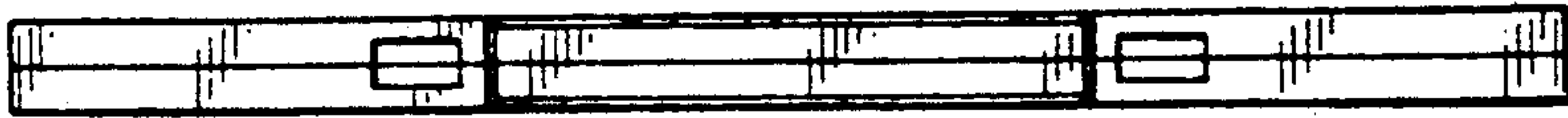


FIG. 13

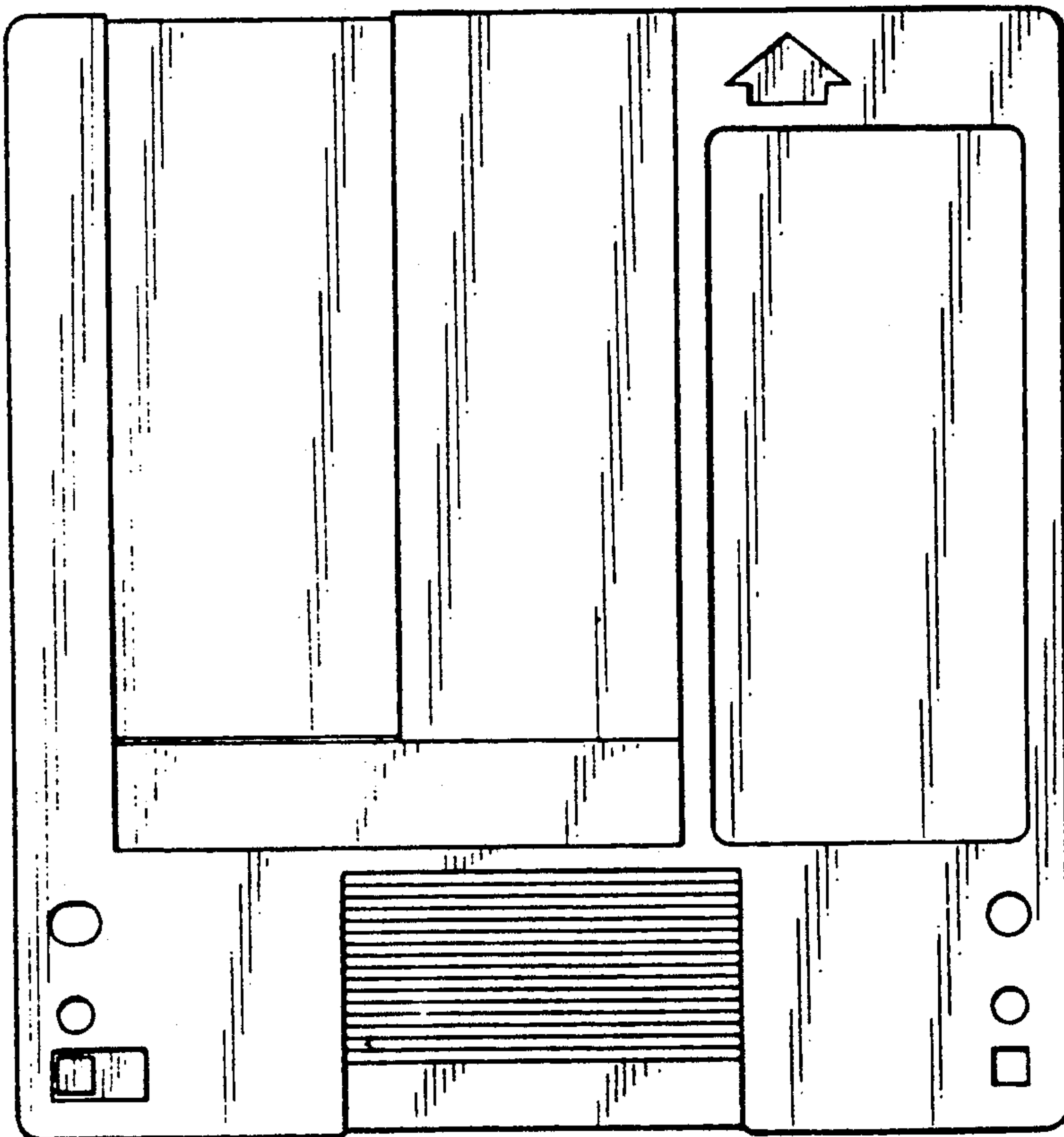


FIG. 14

