



US00D346586S

# United States Patent [19]

Miyake et al.

[11] Patent Number: **Des. 346,586**

[45] Date of Patent: **\*\* May 3, 1994**

## [54] PROGRAMMING DEVICE FOR A SEQUENCE CONTROLLER

[75] Inventors: **Takao Miyake; Masayoshi Kawaishi,** both of Nara, Japan

[73] Assignee: **Sharp Kabushiki Kaisha,** Osaka, Japan

[\*\*] Term: **14 Years**

[21] Appl. No.: **872,663**

[22] Filed: **Apr. 23, 1992**

### [30] Foreign Application Priority Data

Nov. 5, 1991 [JP] Japan ..... 3-33536

[52] U.S. Cl. .... **D13/163; D14/103; D13/162**

[58] Field of Search ..... 312/208.1; 361/390, 361/395; D14/100, 102, 103, 109, 113, 115, 107; D13/162, 163

### [56] References Cited

#### U.S. PATENT DOCUMENTS

D. 236,623	9/1975	Fossella et al. ....	D14/103
D. 281,690	12/1985	Thomas .....	D13/163 X
D. 296,432	6/1988	Harris et al. ....	D13/162
D. 321,340	11/1991	Savio .....	D14/100
D. 329,843	9/1992	Ishida .....	D13/162
D. 330,544	10/1992	Kane .....	D14/103
D. 331,746	12/1992	Takahashi .....	D14/100
D. 336,896	6/1993	Carter .....	D14/100

### OTHER PUBLICATIONS

Datamation-Jul. 1, 1989, p. 40 Peripheral in foreground.

*Primary Examiner*—Wallace R. Burke  
*Assistant Examiner*—Freda S. Nunn  
*Attorney, Agent, or Firm*—Nixon & Vanderhye

### [57] CLAIM

The ornamental design for a programming device for a sequence controller, as shown and described.

### DESCRIPTION

FIG. 1 is a top, front and left side perspective view of a programming device for a sequence controller according to the present design;

FIG. 2 is a front elevational view thereof;

FIG. 3 is a rear elevational view thereof;

FIG. 4 is a right side elevational view thereof;

FIG. 5 is a left side elevational view thereof;

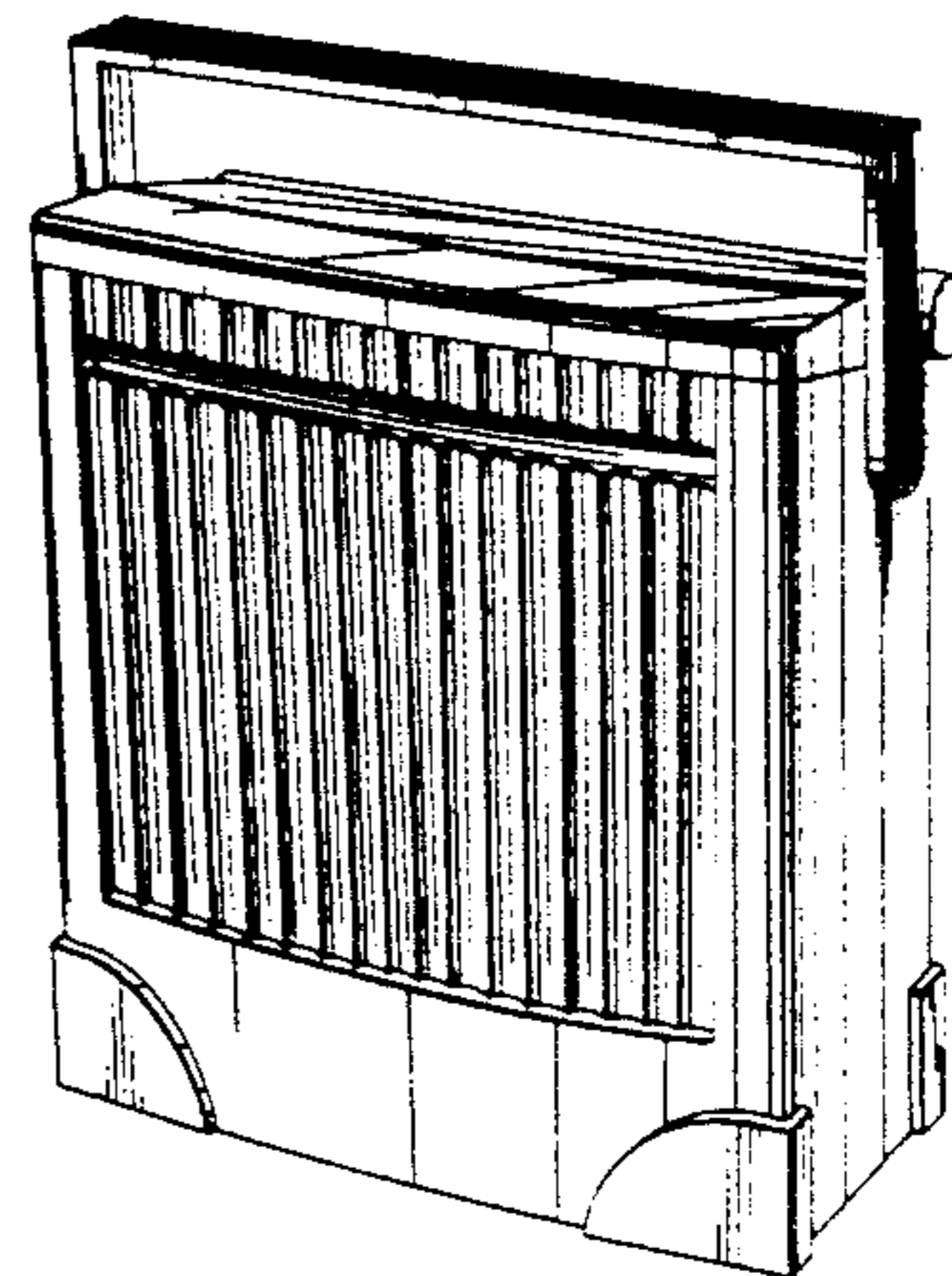
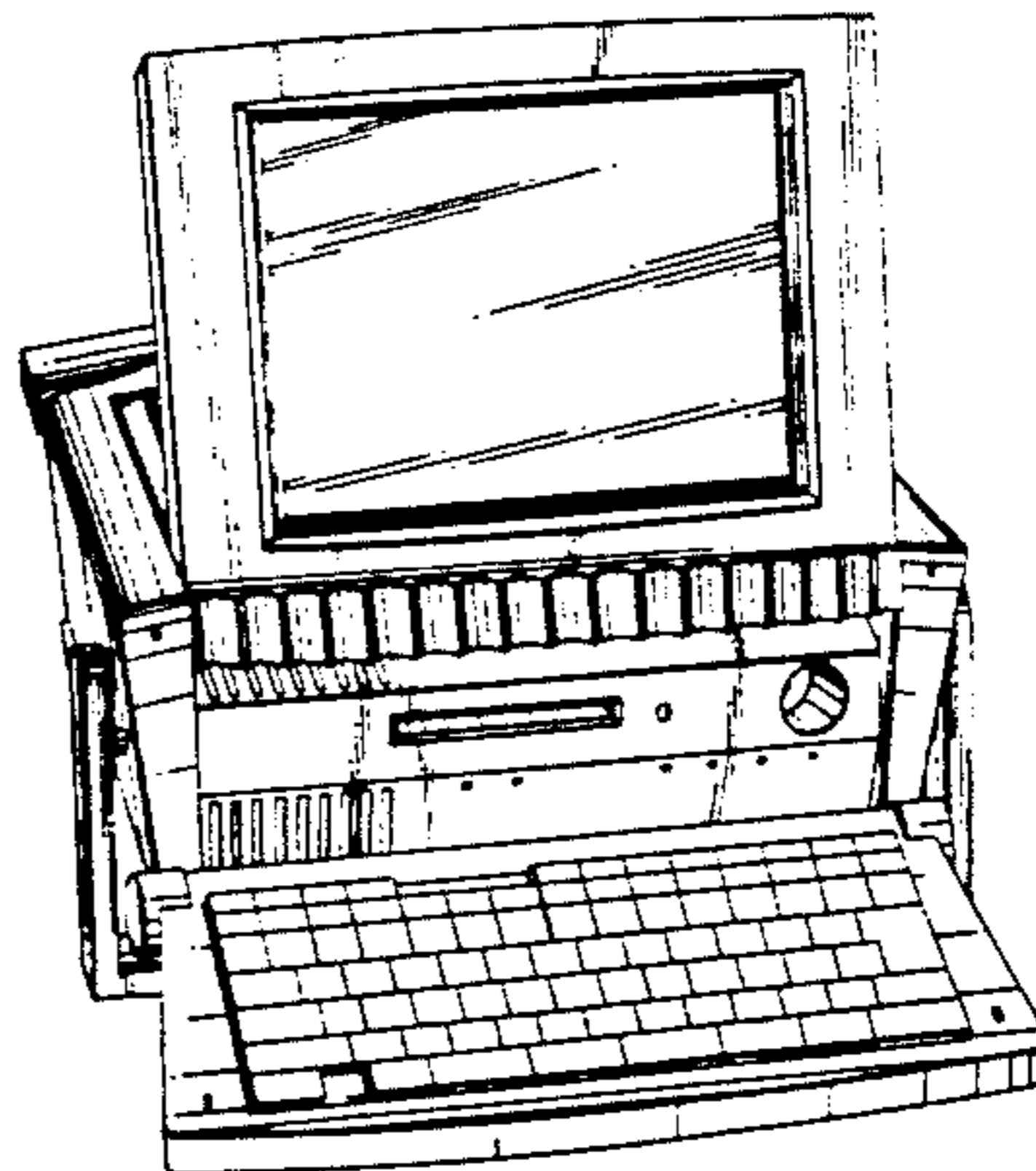
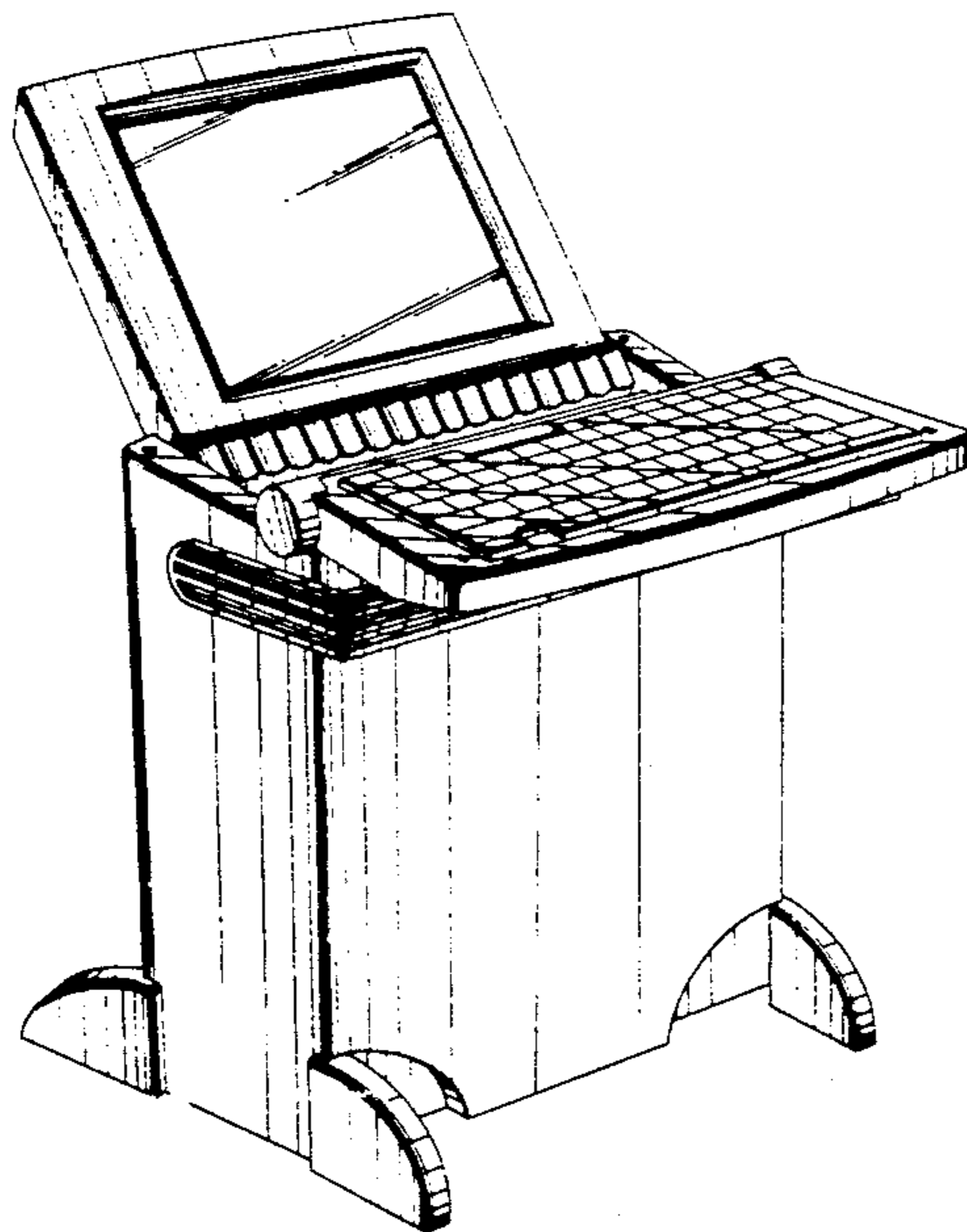
FIG. 6 is a top plan view thereof;

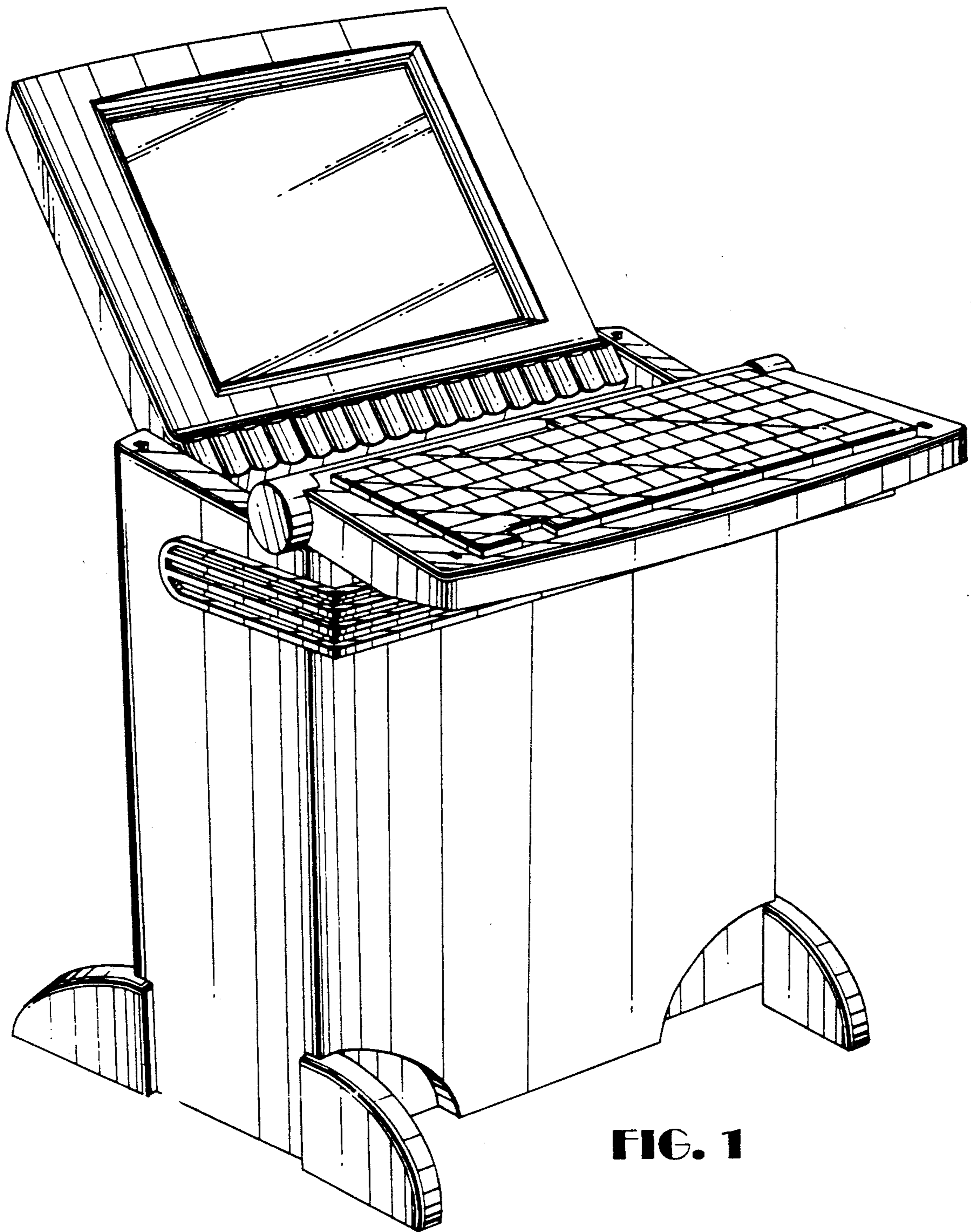
FIG. 7 is a bottom plan view thereof;

FIG. 8 is a top, front and left side perspective view showing the programming device for a sequence controller with the display and keyboard in a different orientation and the controller oriented in a horizontal position; and,

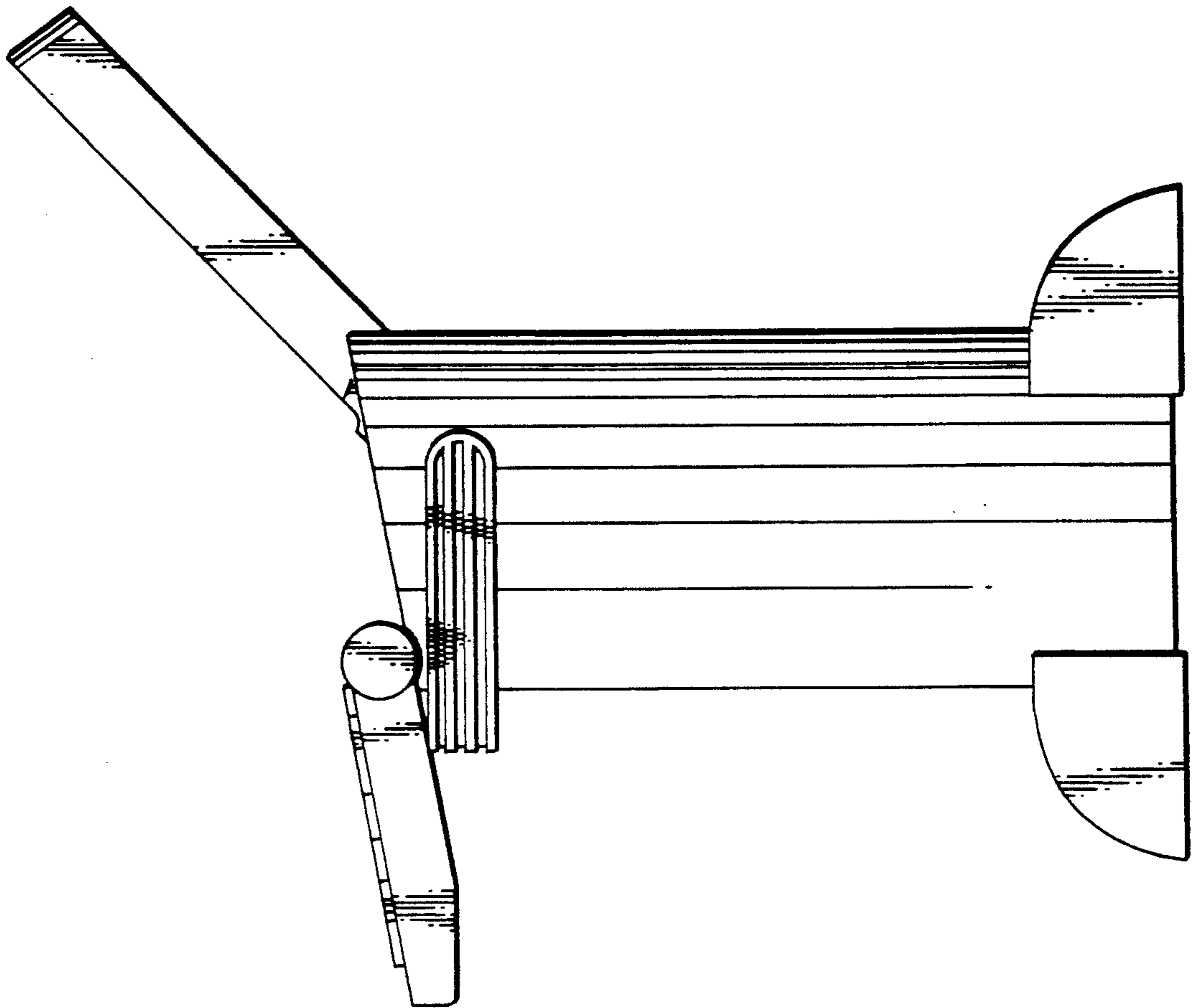
FIG. 9 is a top, rear and left side perspective view illustrating the display and keyboard in a stored condition, with the handle in a standing condition.

FIGS. 2-5 are drawn on a slightly reduced scale.

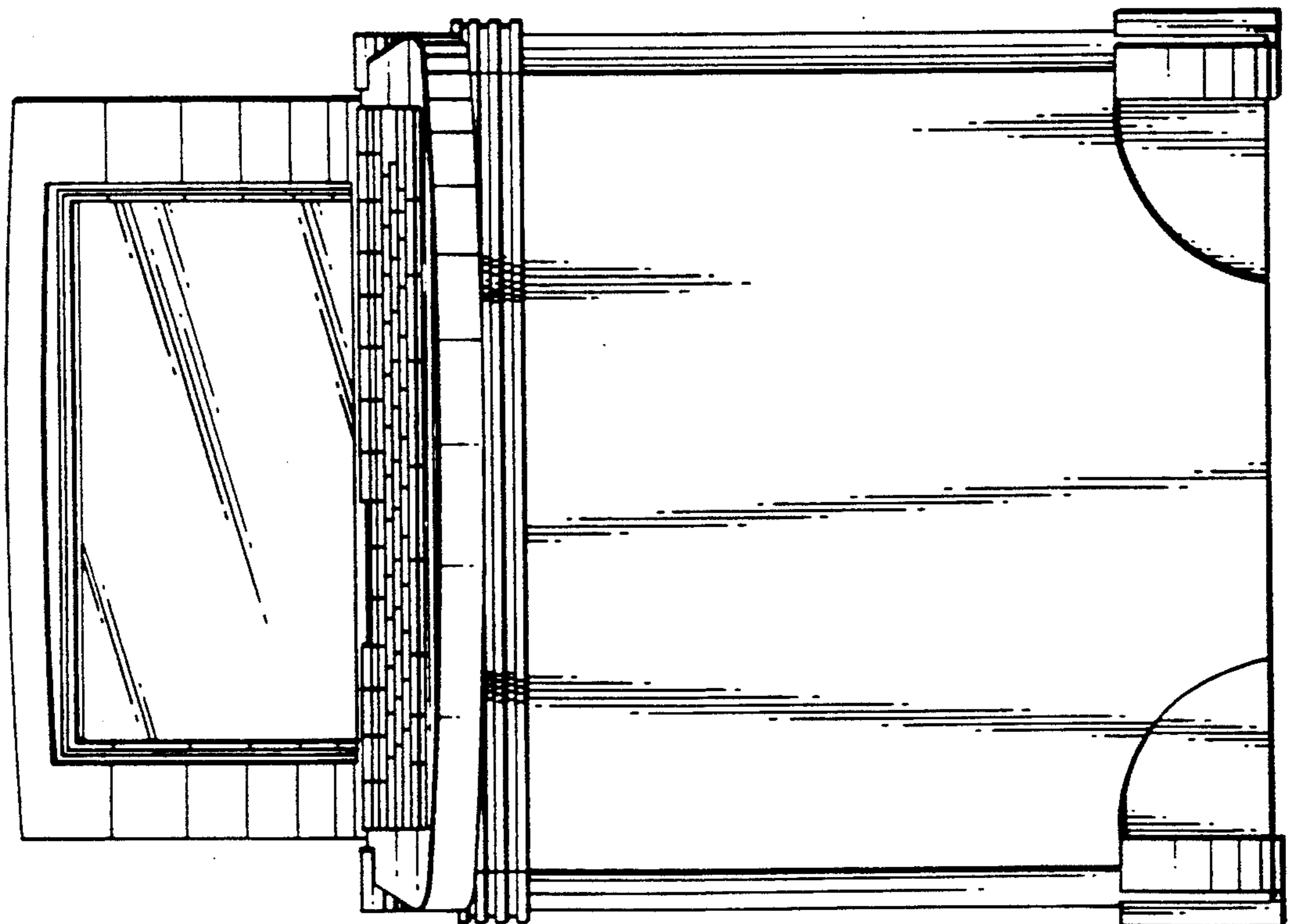




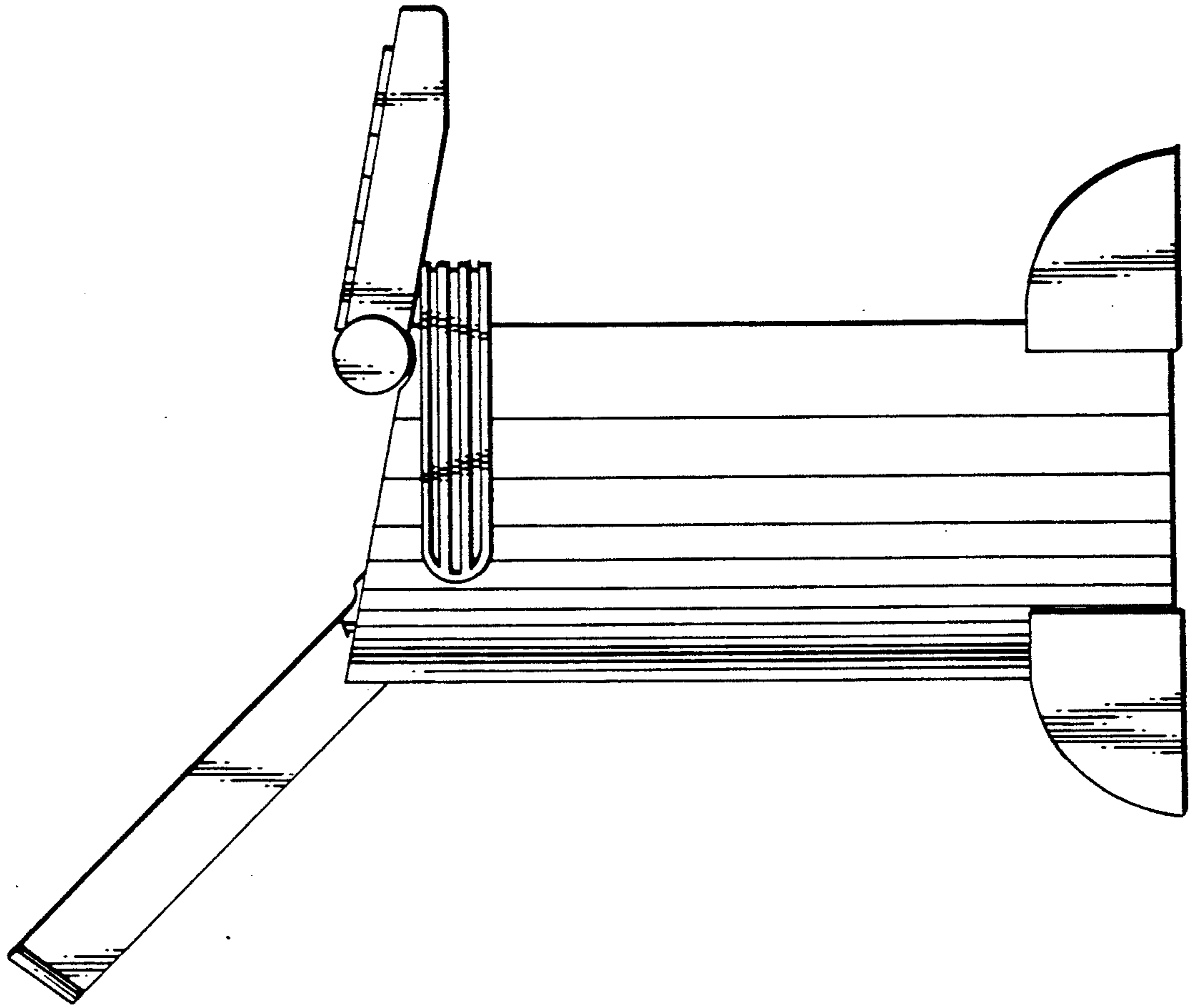
**FIG. 1**



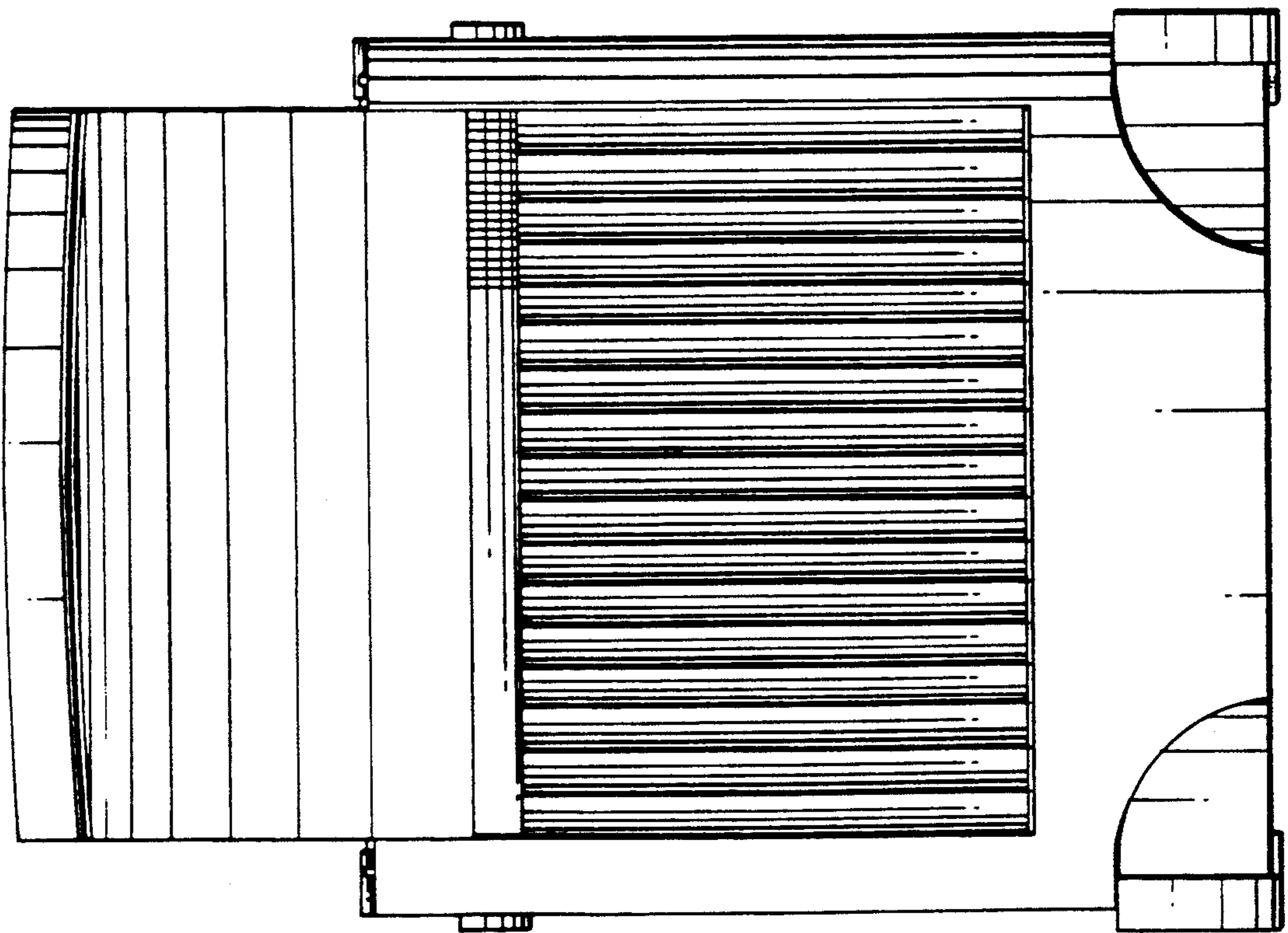
**FIG. 4**



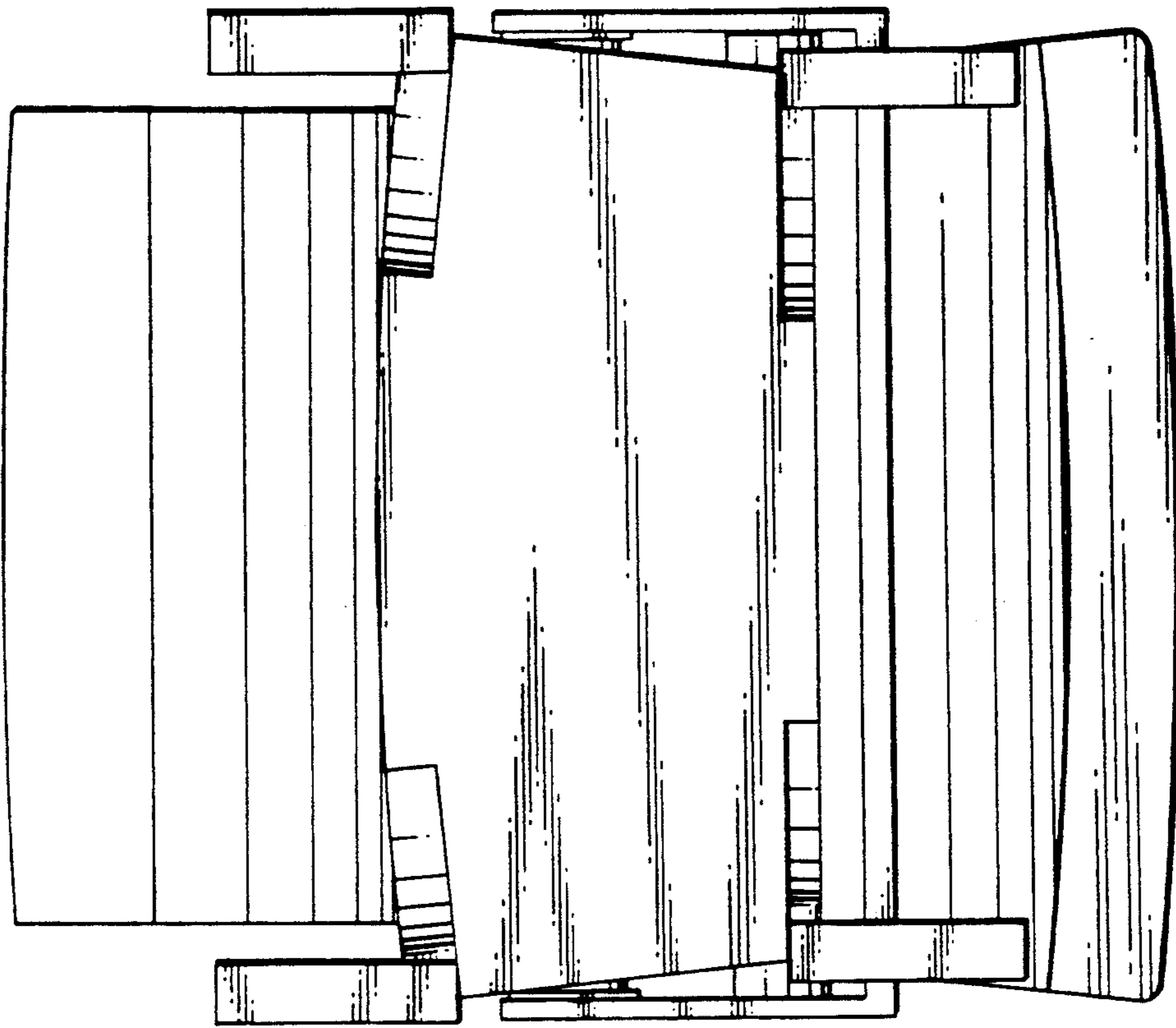
**FIG. 2**



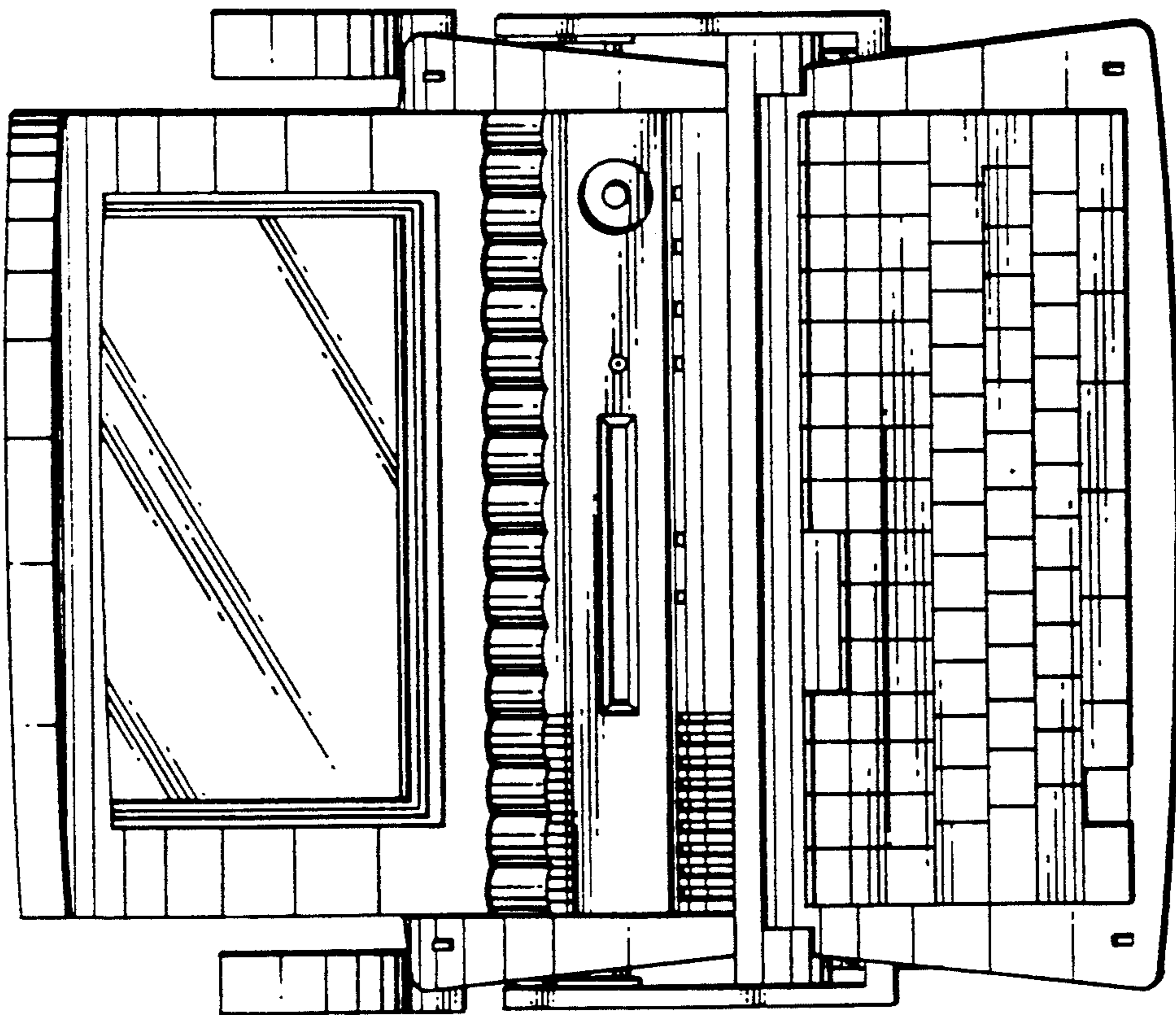
**FIG. 5**



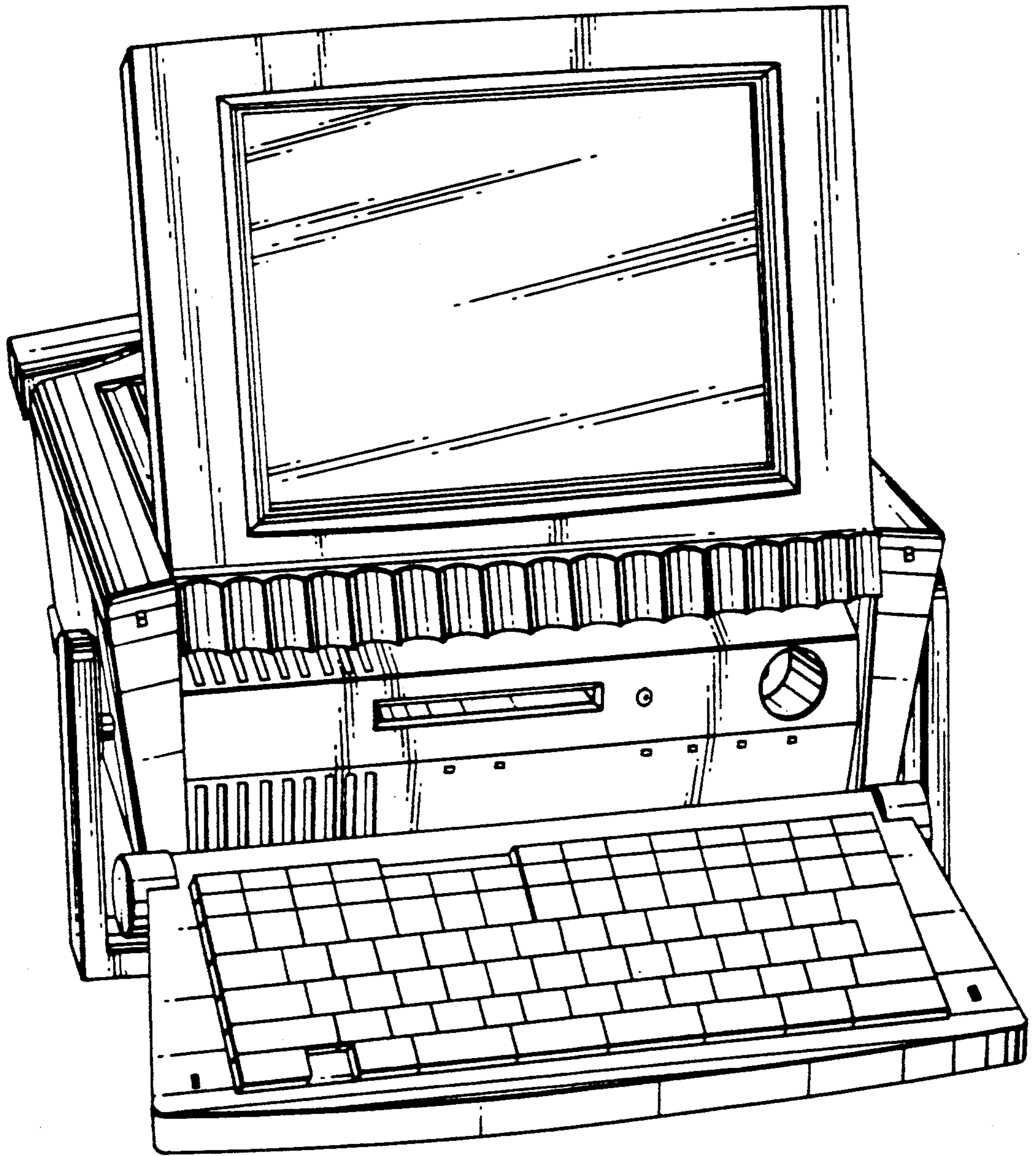
**FIG. 3**



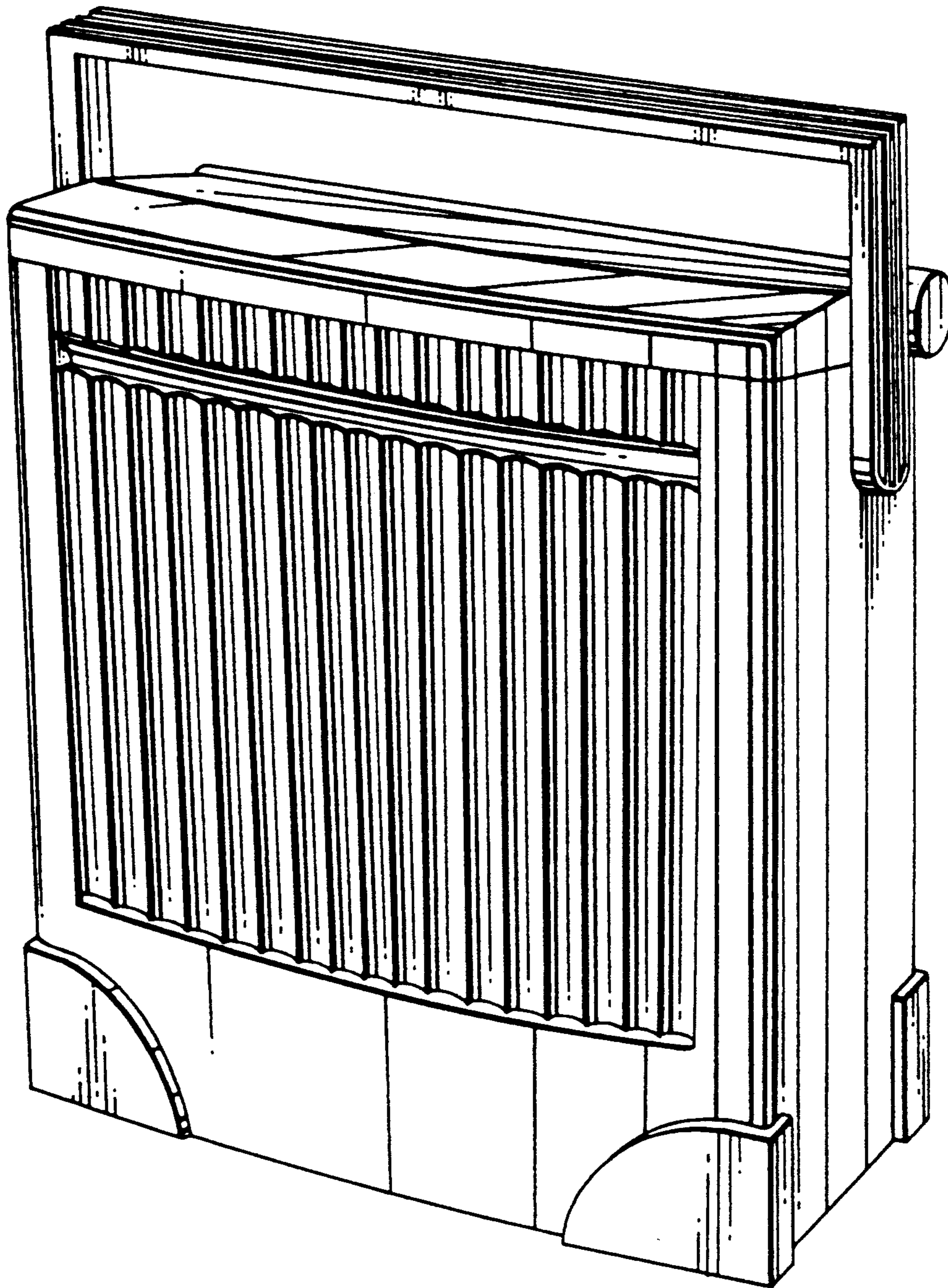
**FIG. 7**



**FIG. 6**



**FIG. 8**



**FIG. 9**