



US00D346584S

# United States Patent [19]

[11] Patent Number: **Des. 346,584**

Taniguchi

[45] Date of Patent: **\*\* May 3, 1994**

[54] **BATTERY ADAPTOR FOR A PORTABLE VIDEO CAMCORDER BATTERY PACK**

4,957,829 9/1990 Holl ..... 429/99

[75] Inventor: **Shuhei Taniguchi, Tokyo, Japan**

*Primary Examiner*—Wallace R. Burke

[73] Assignee: **Sony Corporation, Tokyo, Japan**

*Assistant Examiner*—Joel Sincavage

[\*\*] Term: **14 Years**

*Attorney, Agent, or Firm*—Lewis H. Eslinger; Jay H. Maioli

[21] Appl. No.: **688,348**

### [57] CLAIM

[22] Filed: **Apr. 22, 1991**

The ornamental design for a battery adaptor for a portable video camcorder battery pack, as shown and described.

### [30] Foreign Application Priority Data

### DESCRIPTION

Oct. 22, 1990 [JP] Japan ..... 2-35340

[52] U.S. Cl. .... **D13/119; D13/103**

[58] Field of Search ..... 429/99, 100, 121, 123, 429/149, 163; 206/333; 320/2; 361/392; D13/103, 118, 119, 133; D14/137, 138; D16/202, 219

FIG. 1 is a front and upper right perspective view of a battery adaptor for a portable video camcorder battery pack showing my new design;

FIG. 2 is a front and upper right perspective view thereof, shown with a battery pack attached, the broken line showing of the battery pack is included for the purpose of illustrating environmental elements only and forms no part of the claimed design;

FIG. 3 is a right-side elevational view thereof;

FIG. 4 is a left-side elevational view thereof;

FIG. 5 is a bottom plan view thereof;

FIG. 6 is a rear elevational view thereof;

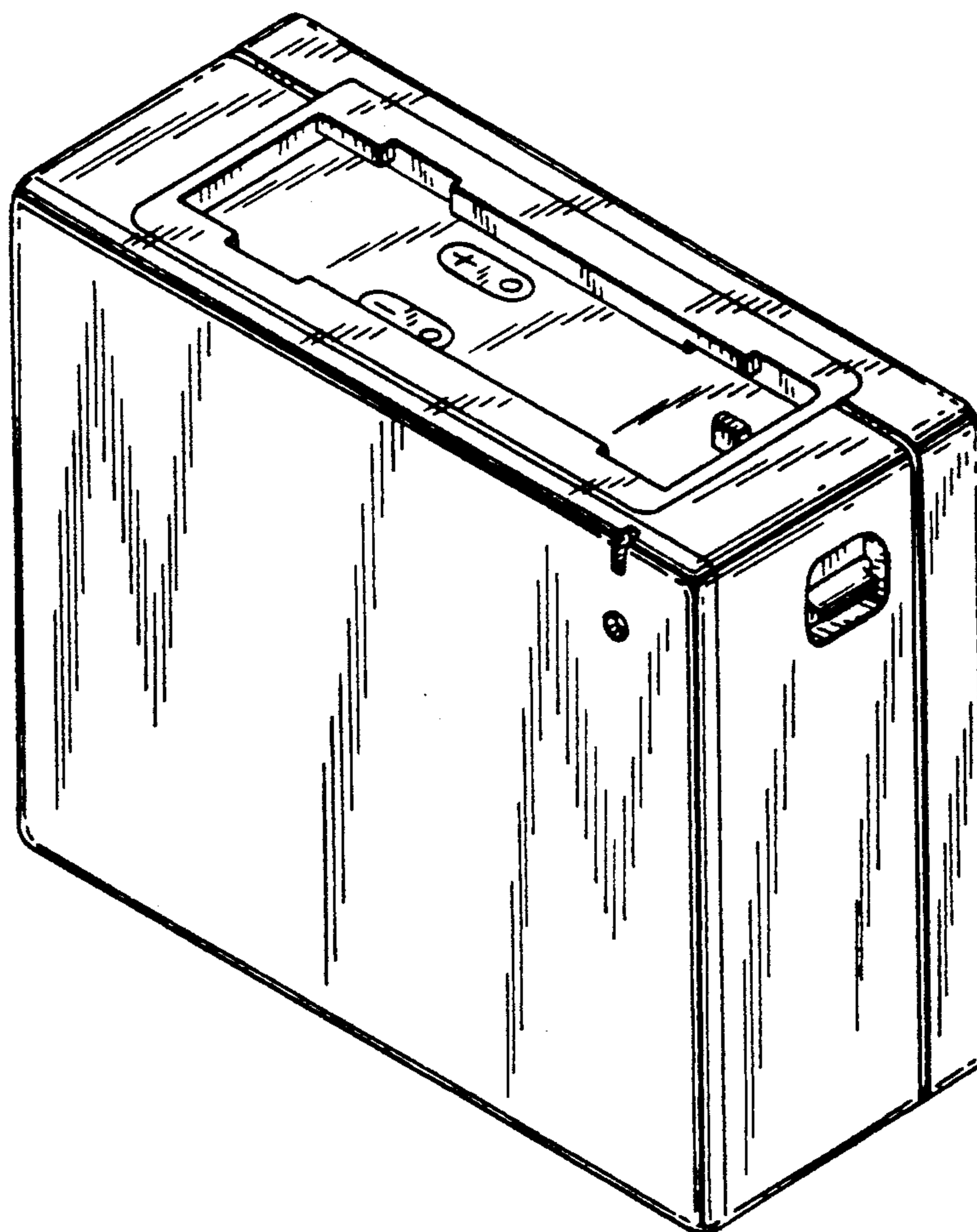
FIG. 7 is a front elevational view thereof; and,

FIG. 8 is a top plan view thereof.

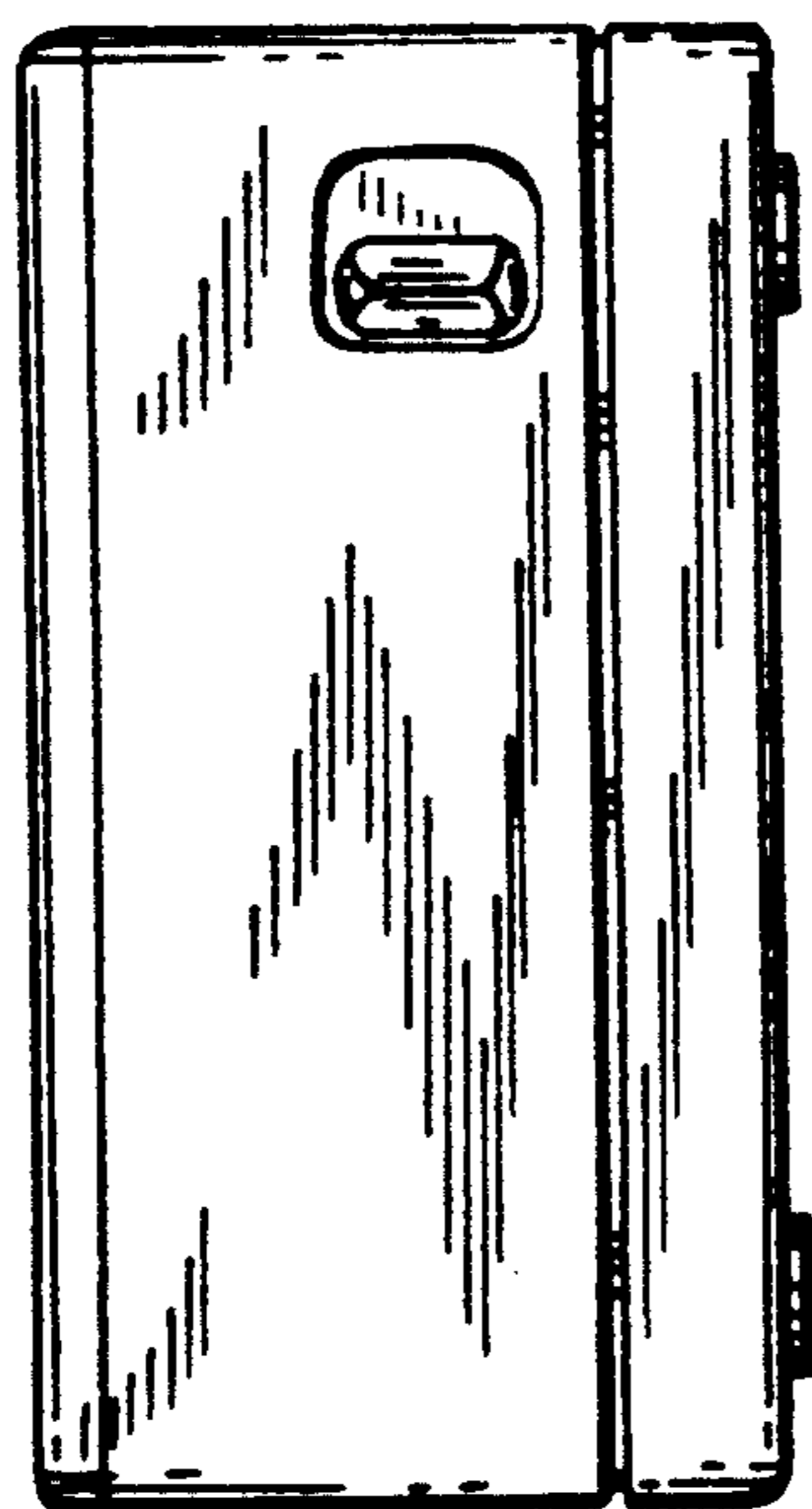
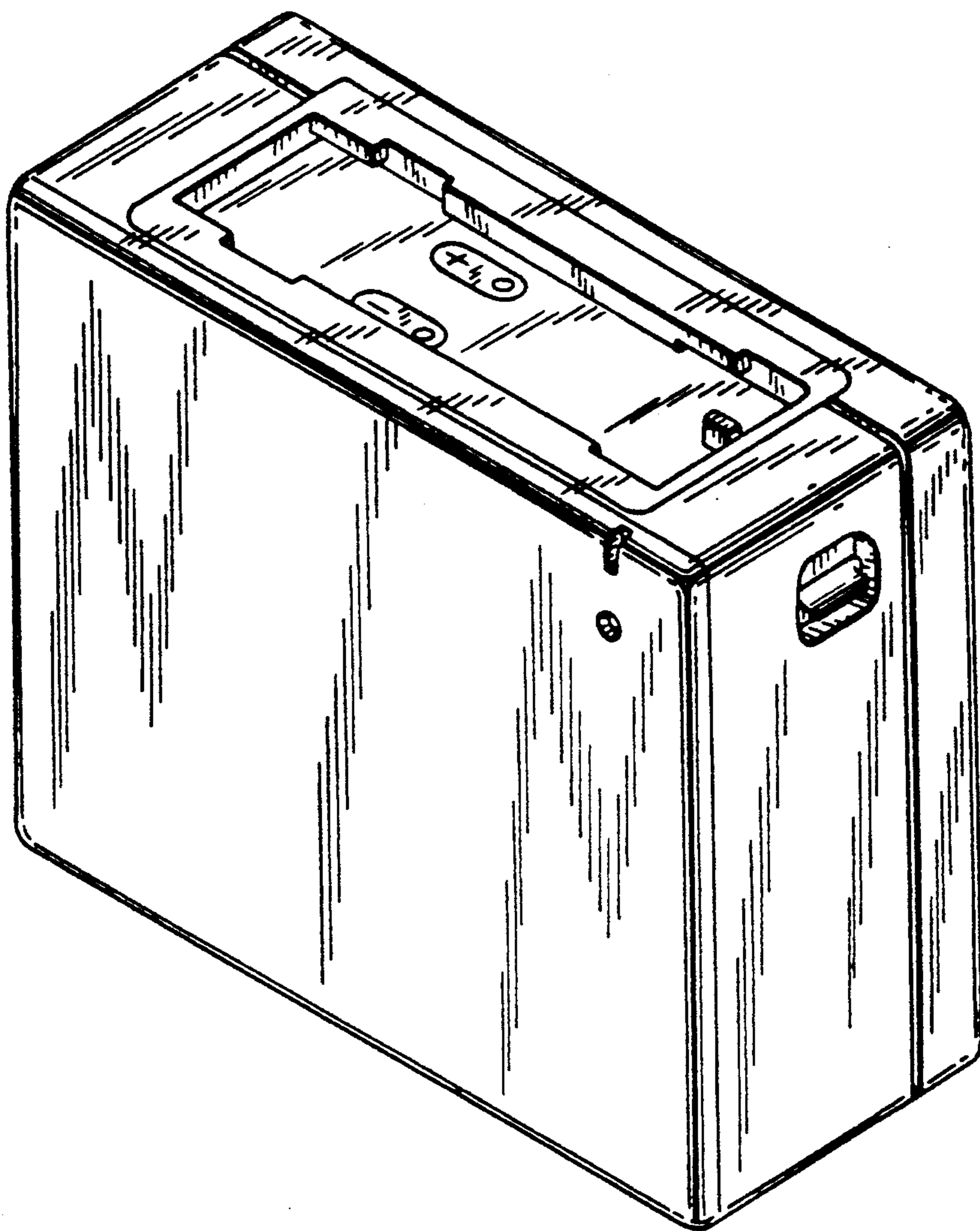
### [56] References Cited

#### U.S. PATENT DOCUMENTS

- D. 288,683 3/1987 Bostler et al. .... D14/138 X
- D. 295,511 5/1988 Scheid et al. .... D14/137 X
- 2,818,463 12/1957 Parker ..... 429/99
- 4,515,872 5/1985 Okano ..... 429/99 X
- 4,880,712 11/1989 Gordecki ..... 206/333 X

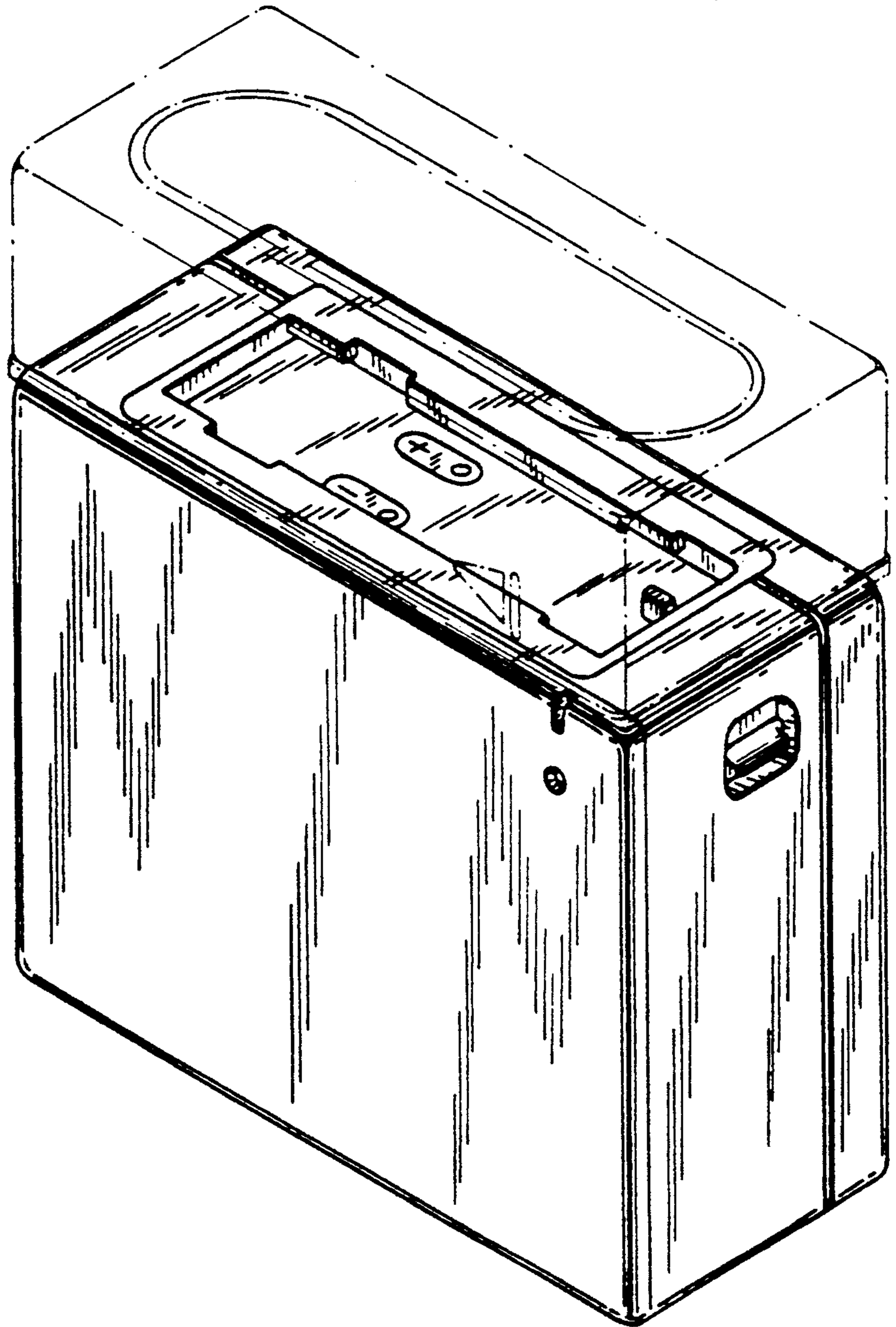


*FIG. 1*

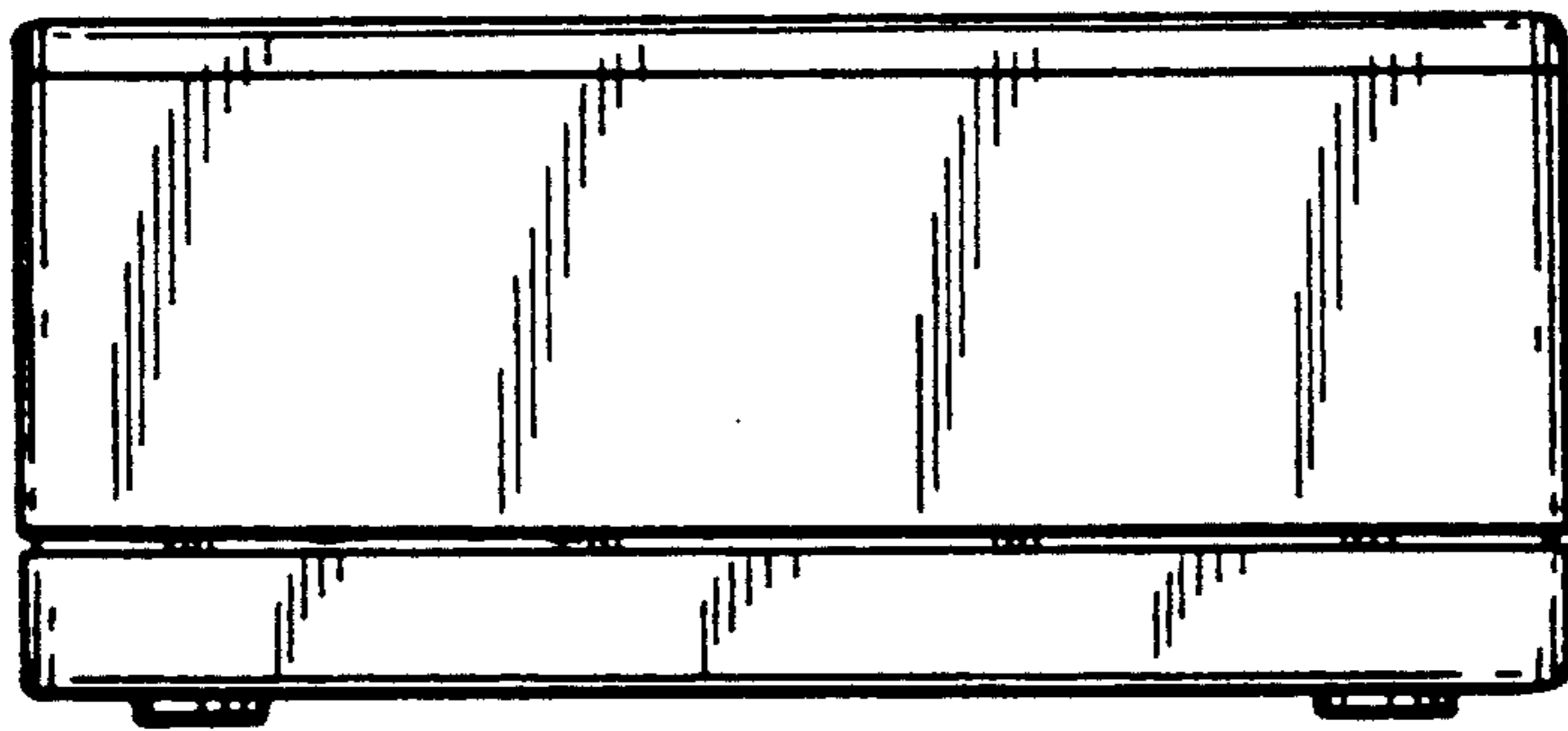
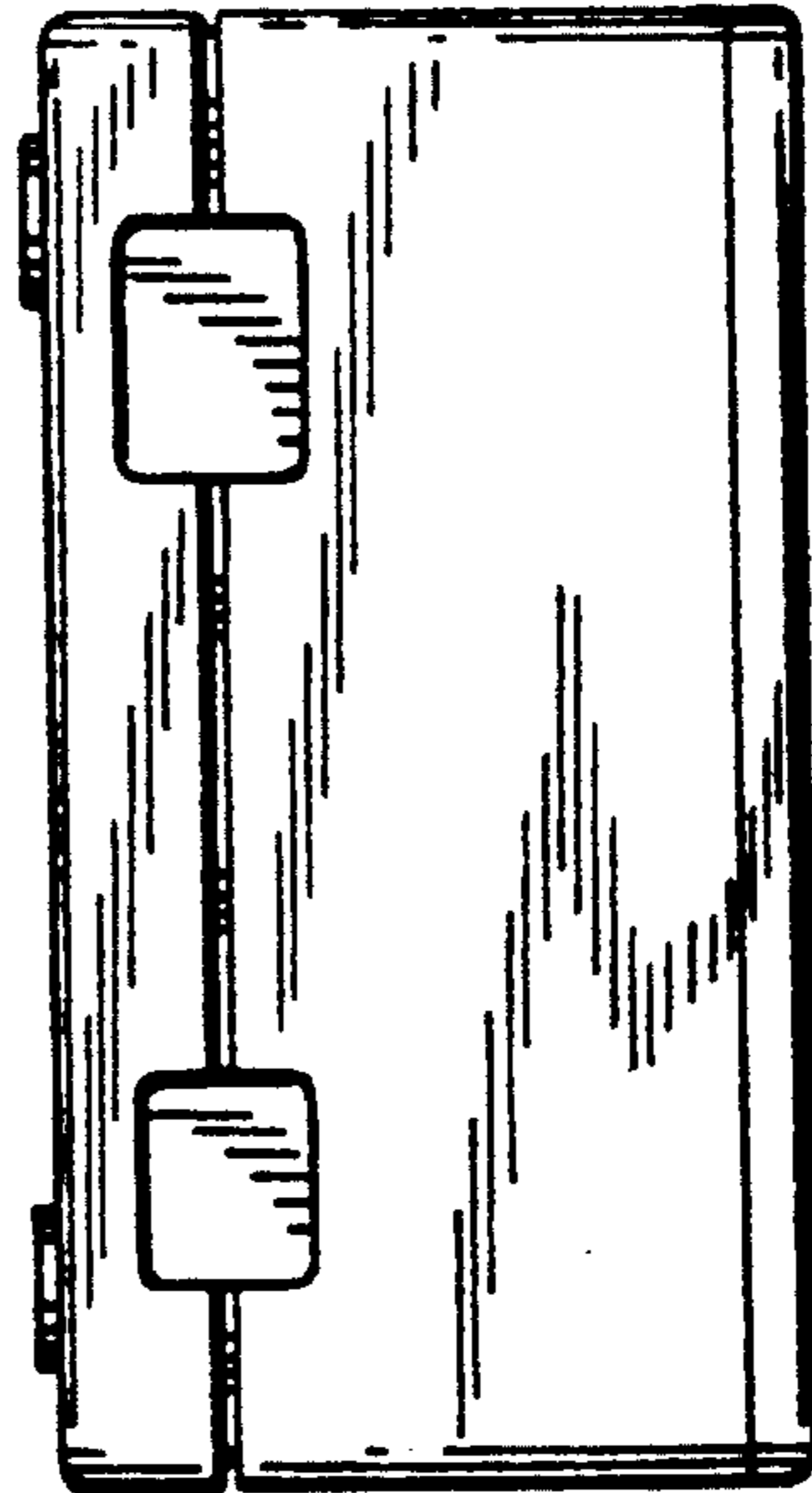


*FIG. 3*

*FIG. 2*

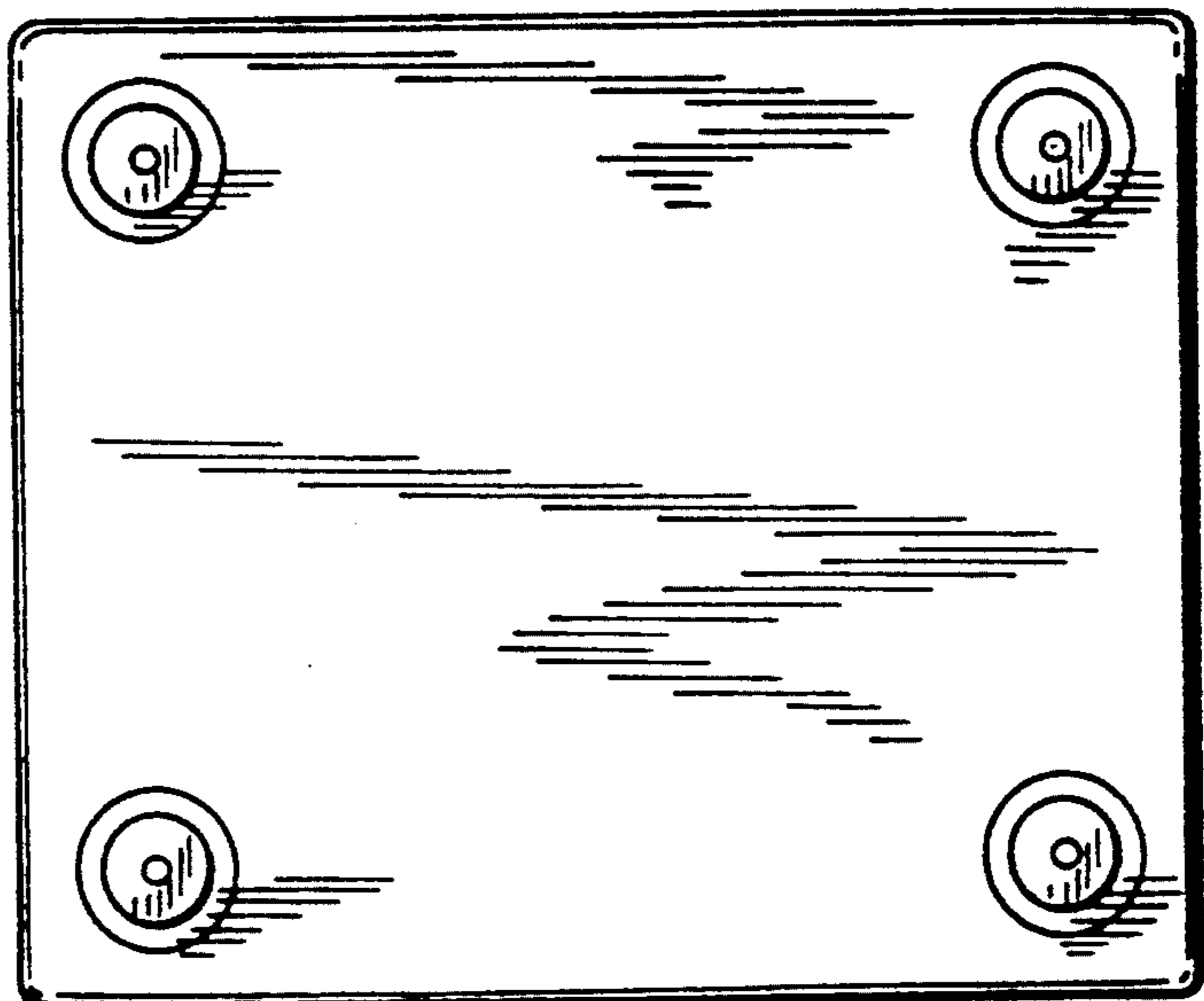


*FIG. 4*

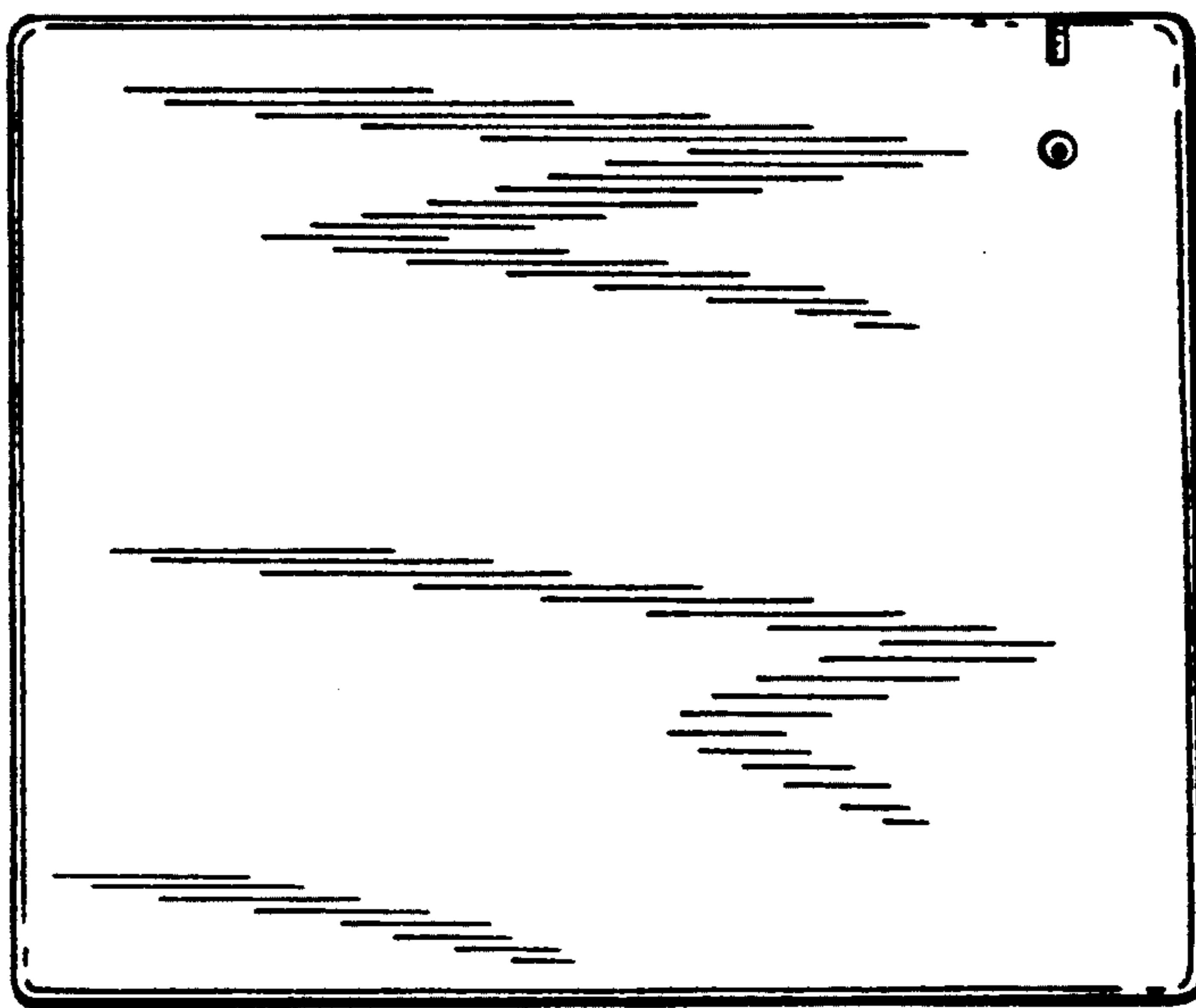


*FIG. 5*

*FIG. 6*



*FIG. 7*



*FIG. 8*

