



US00D346583S

United States Patent [19]

[11] Patent Number: **Des. 346,583**

Mohri

[45] Date of Patent: **** May 3, 1994**

[54] **ADAPTER COMBINED WITH A BATTERY CHARGER FOR A VIDEO CAMERA**

[75] Inventor: **Akinari Mohri, Tokyo, Japan**

[73] Assignee: **Sony Corporation, Tokyo, Japan**

[**] Term: **14 Years**

[21] Appl. No.: **915,370**

[22] Filed: **Jul. 20, 1992**

[30] **Foreign Application Priority Data**

Feb. 13, 1992 [JP] Japan 4-3713

[52] U.S. Cl. **D13/108**

[58] Field of Search 320/2, 3, 4; D13/107, D13/108, 144; D14/114, 217, 218, 240

[56] **References Cited**

U.S. PATENT DOCUMENTS

D. 321,368 10/1991 Usami D13/107

D. 328,276 7/1992 Koinuma D13/107

5,117,172 5/1992 Chen 320/15

5,119,008 6/1992 Morita et al. 320/15 X

Primary Examiner—Wallace R. Burke

Assistant Examiner—Joel Sincavage

Attorney, Agent, or Firm—Lewis H. Eslinger; Jay H. Maioli

[57] **CLAIM**

The ornamental design for an adapter combined with a battery charger for a video camera, as shown and described.

DESCRIPTION

FIG. 1 is a top plan view of an adapter combined with a battery charger for a video camera showing my new design;

FIG. 2 is a left-side elevational view thereof;

FIG. 3 is a front elevational view thereof;

FIG. 4 is a right-side elevational view thereof;

FIG. 5 is a rear elevational view thereof;

FIG. 6 is a bottom plan view thereof;

FIG. 7 is a top, front and right-side perspective view thereof;

FIG. 8 is a front and upper left perspective view thereof shown in use with a video camera, VCR and monitor. The broken line showing of the camera, VCR and monitor is included for the purpose of illustrating environmental elements only and forms no part of the claimed design;

FIG. 9 is a top, front and left-side perspective view thereof, shown in the opened position; and,

FIG. 10 is a front and upper left perspective view thereof shown in use with a battery pack. The broken line showing of the battery pack is included for the purpose of illustrating environmental elements only and forms no part of the claimed design.

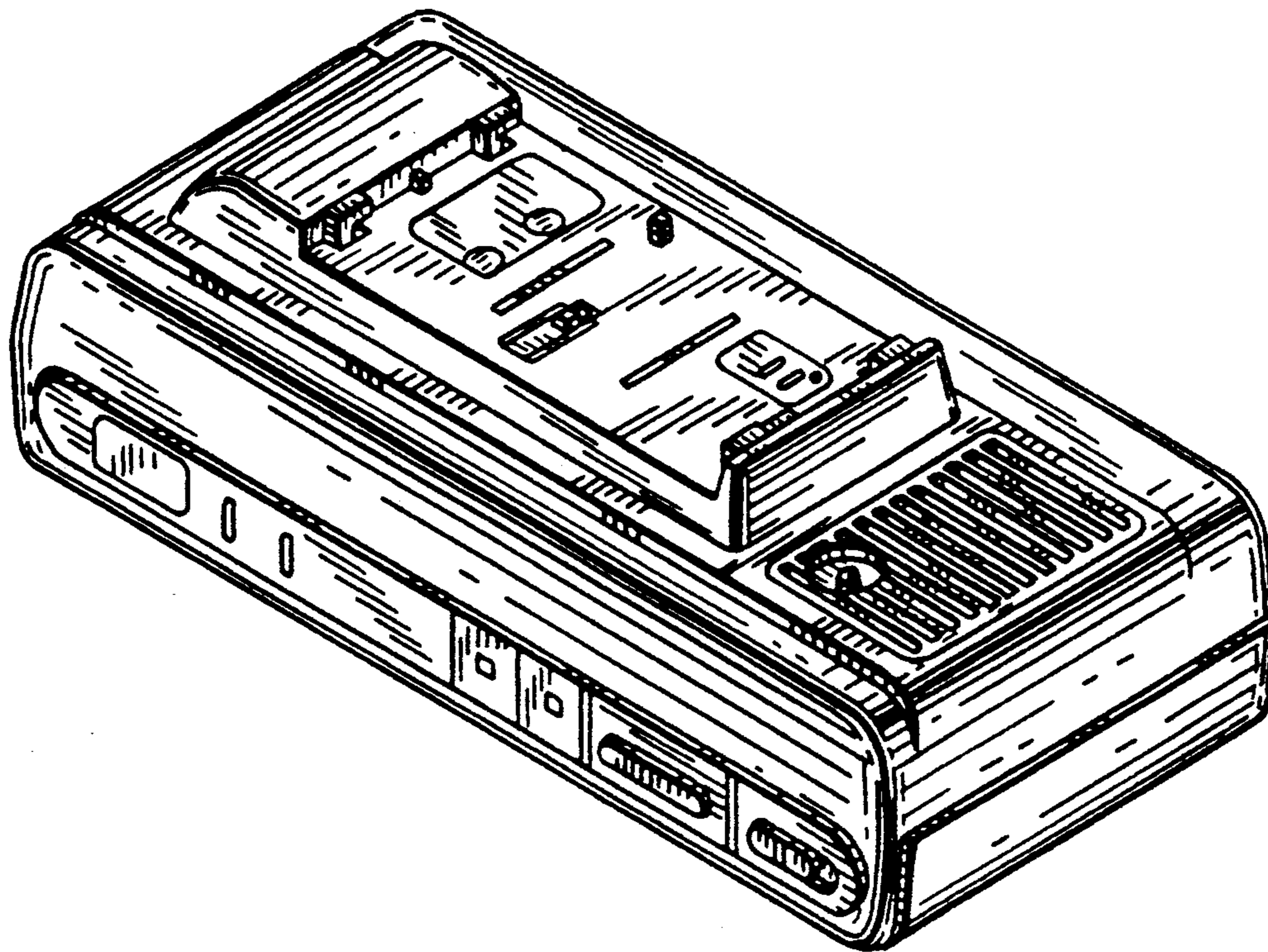


FIG. 1

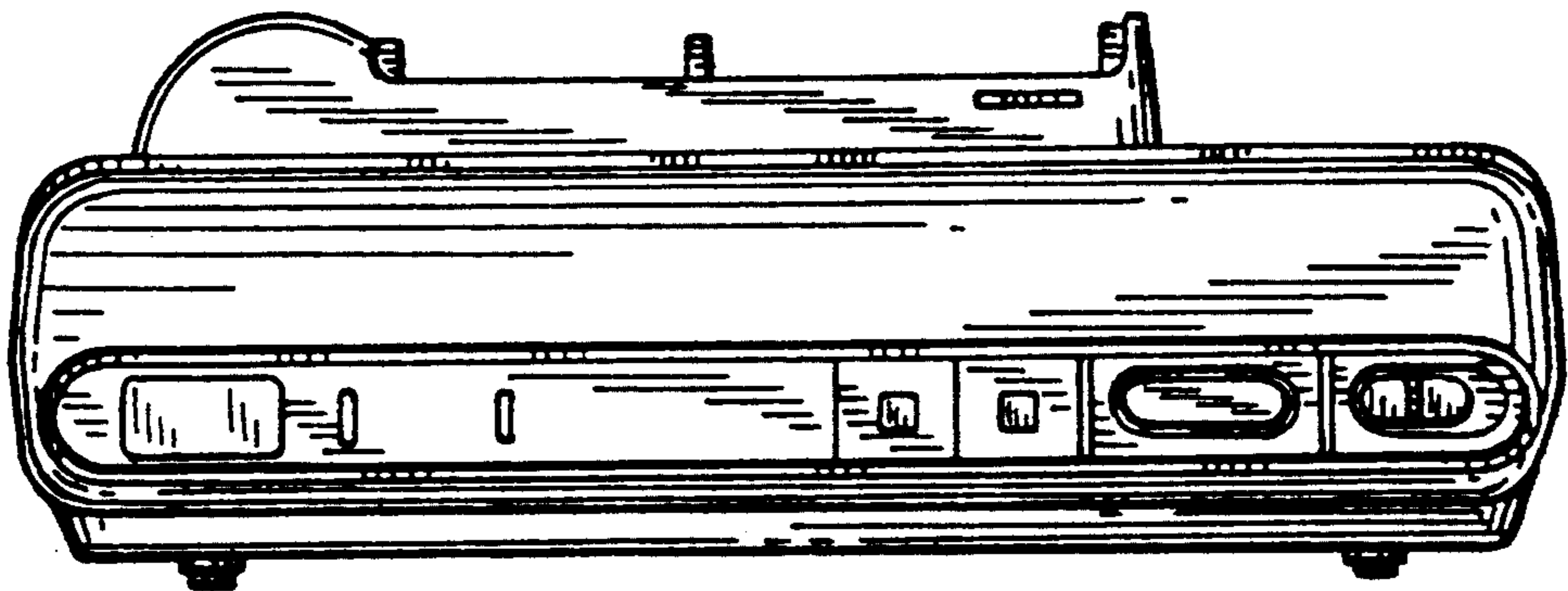
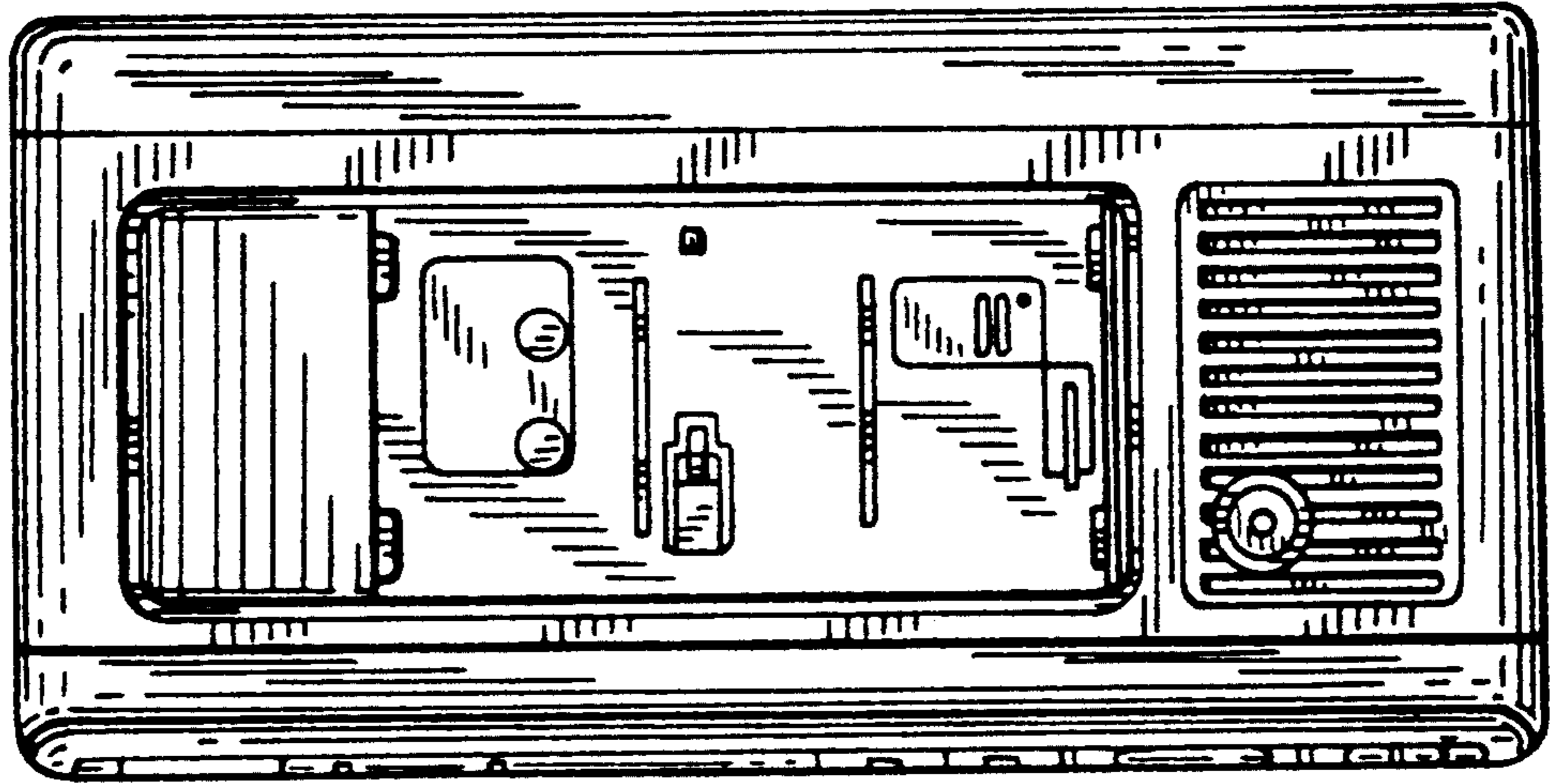


FIG. 3

FIG. 2

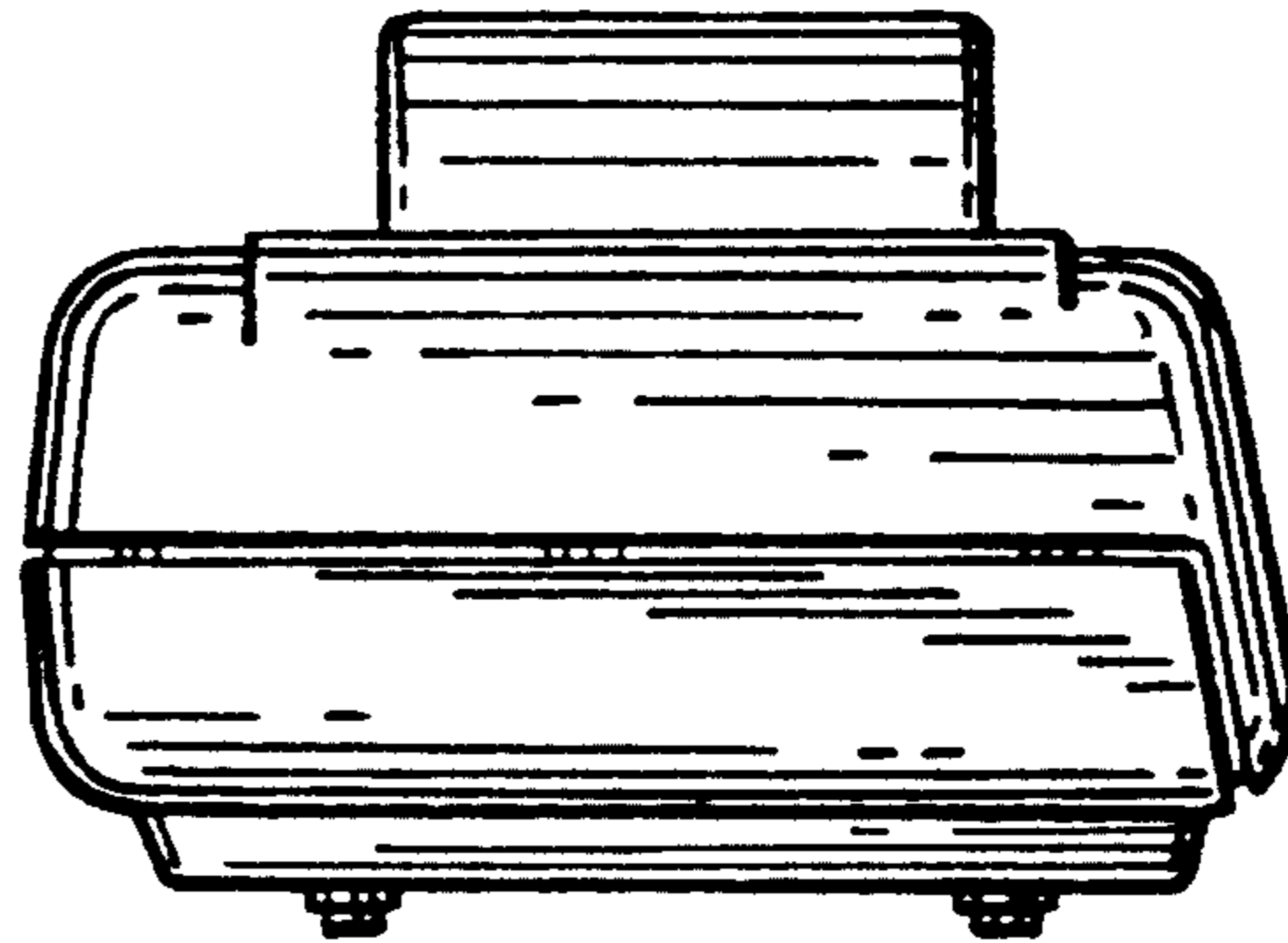


FIG. 6

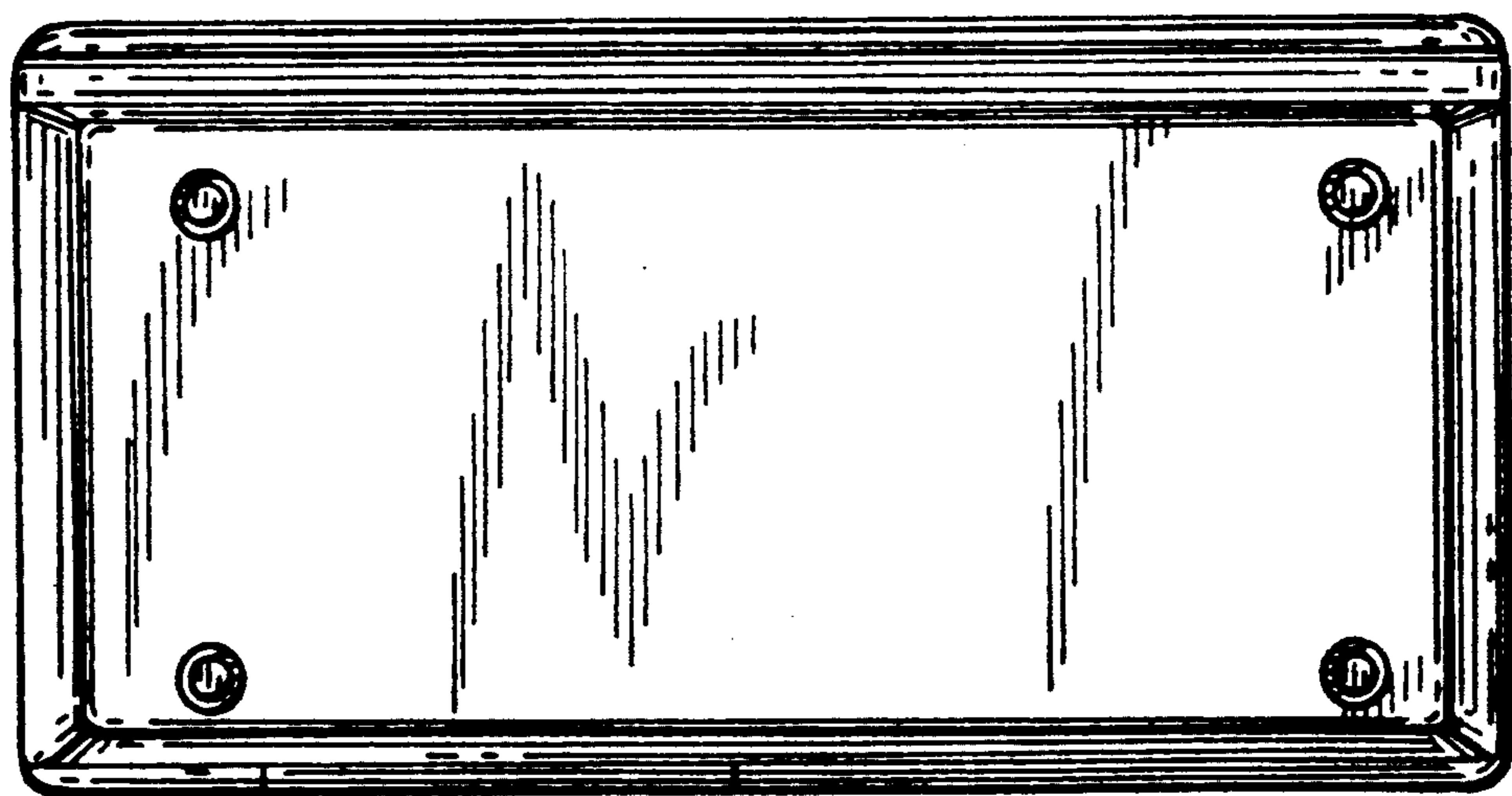


FIG. 4

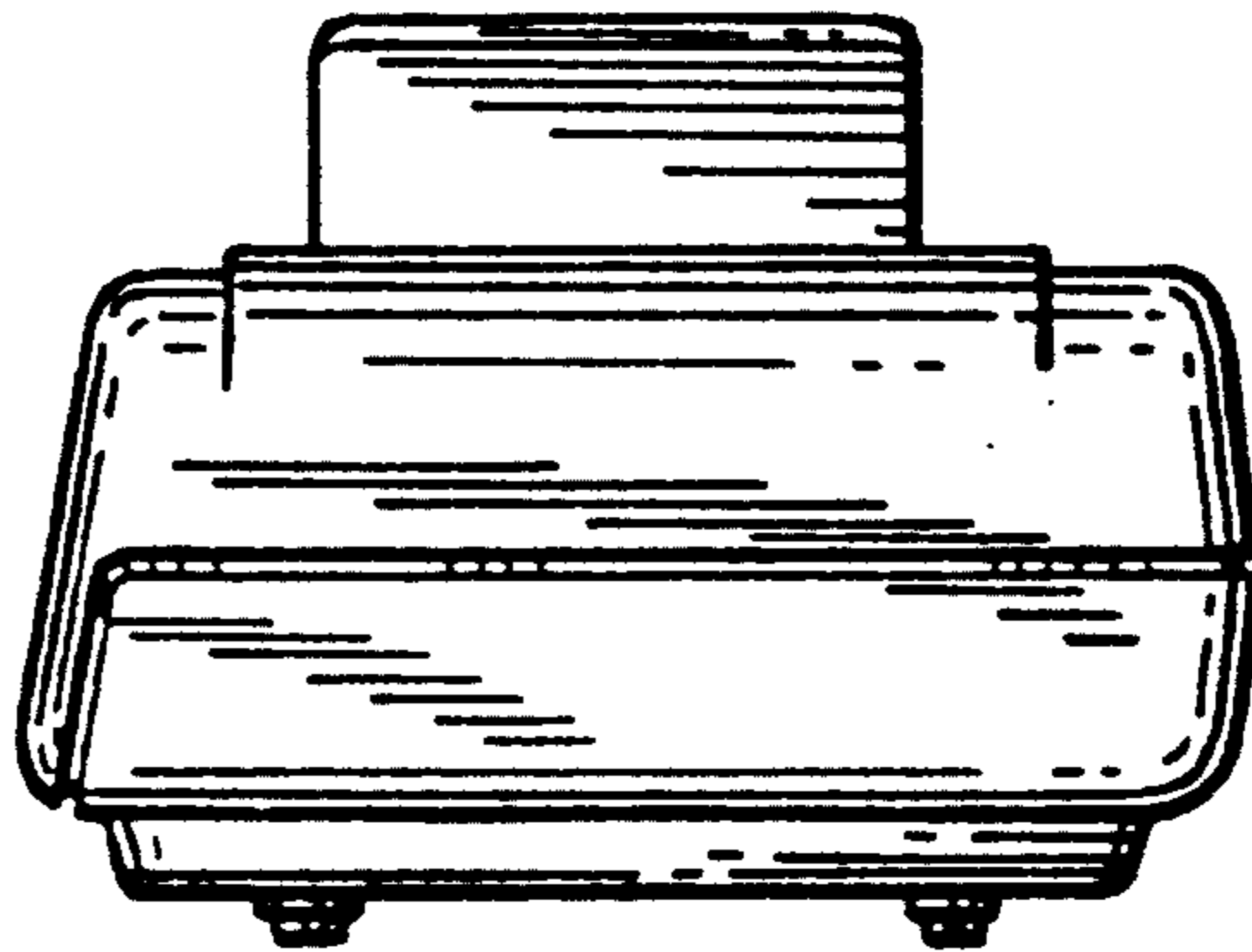
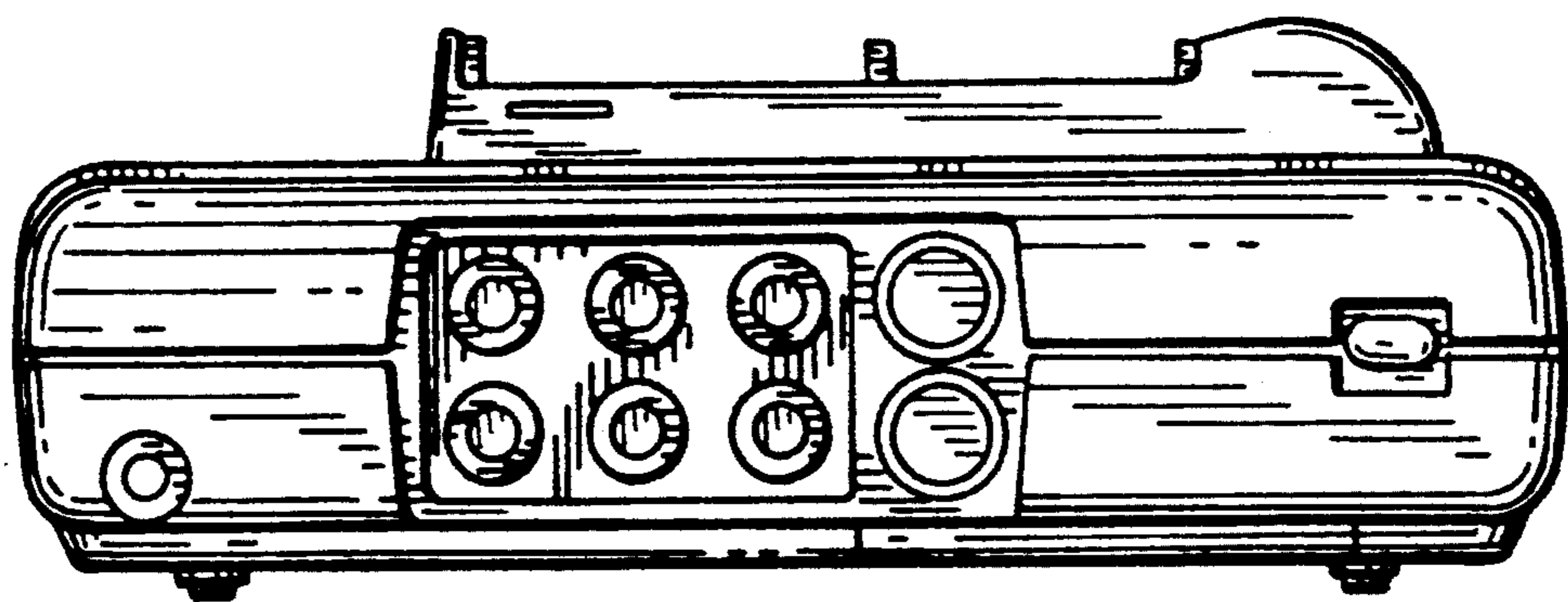


FIG. 5



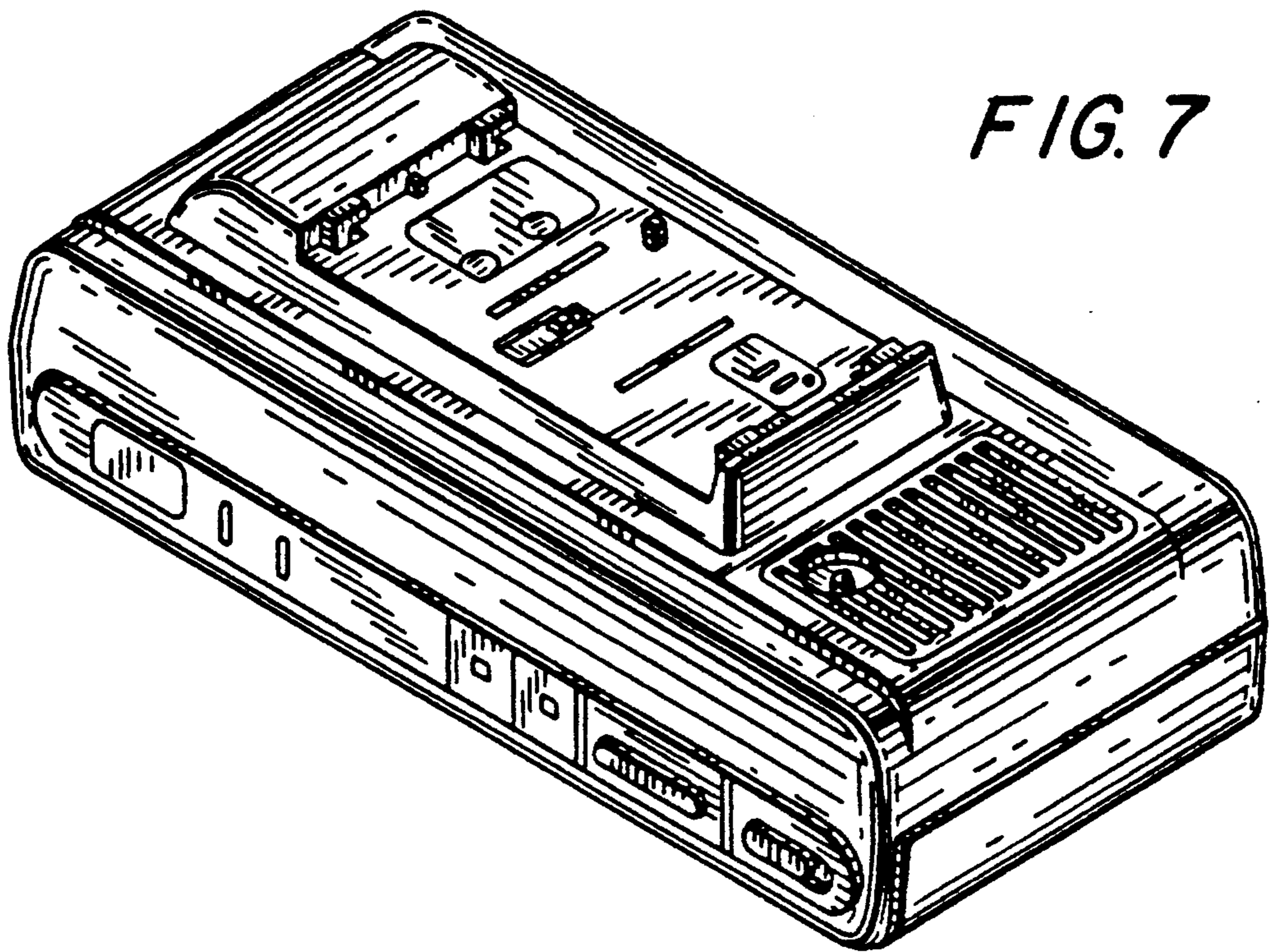
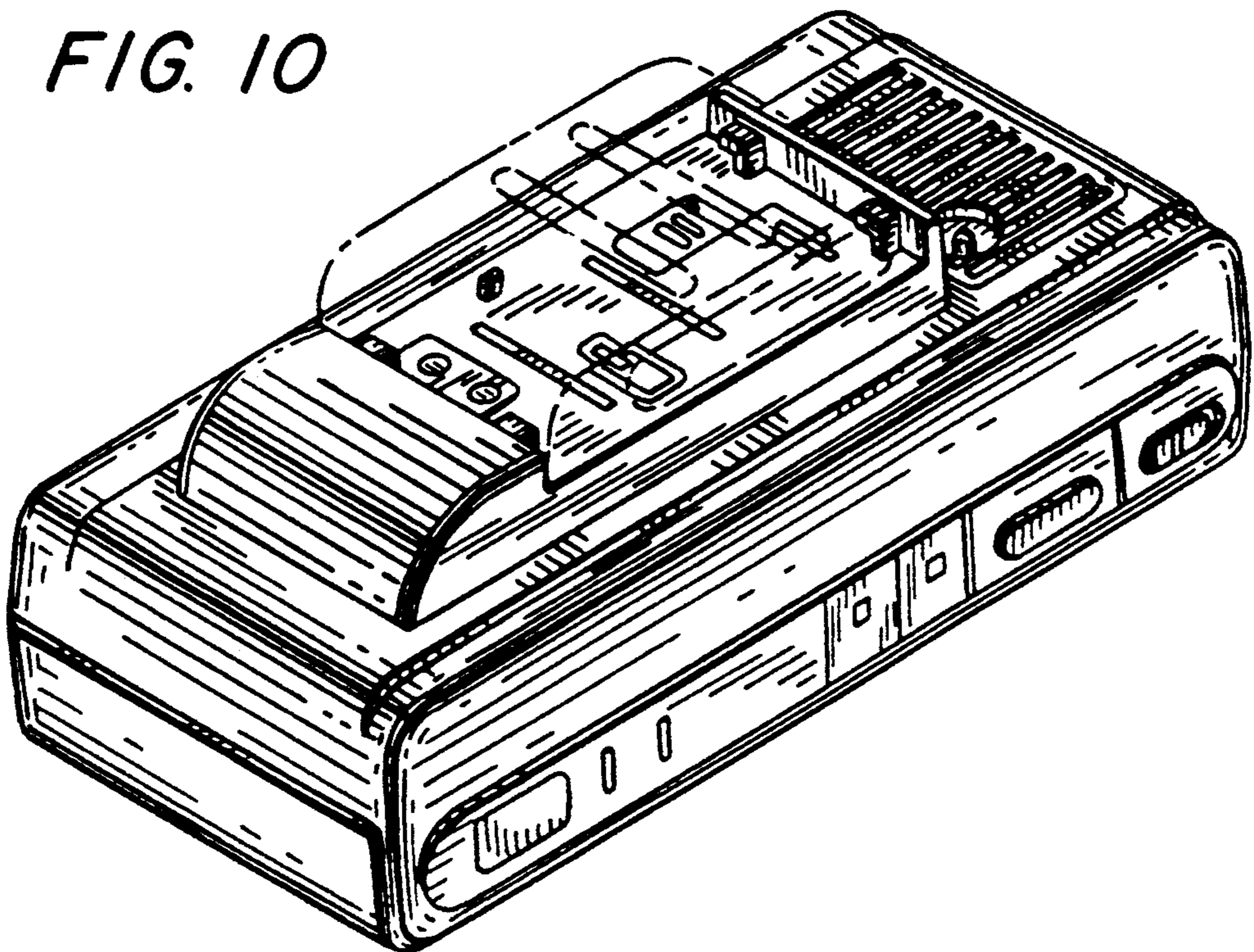


FIG. 10



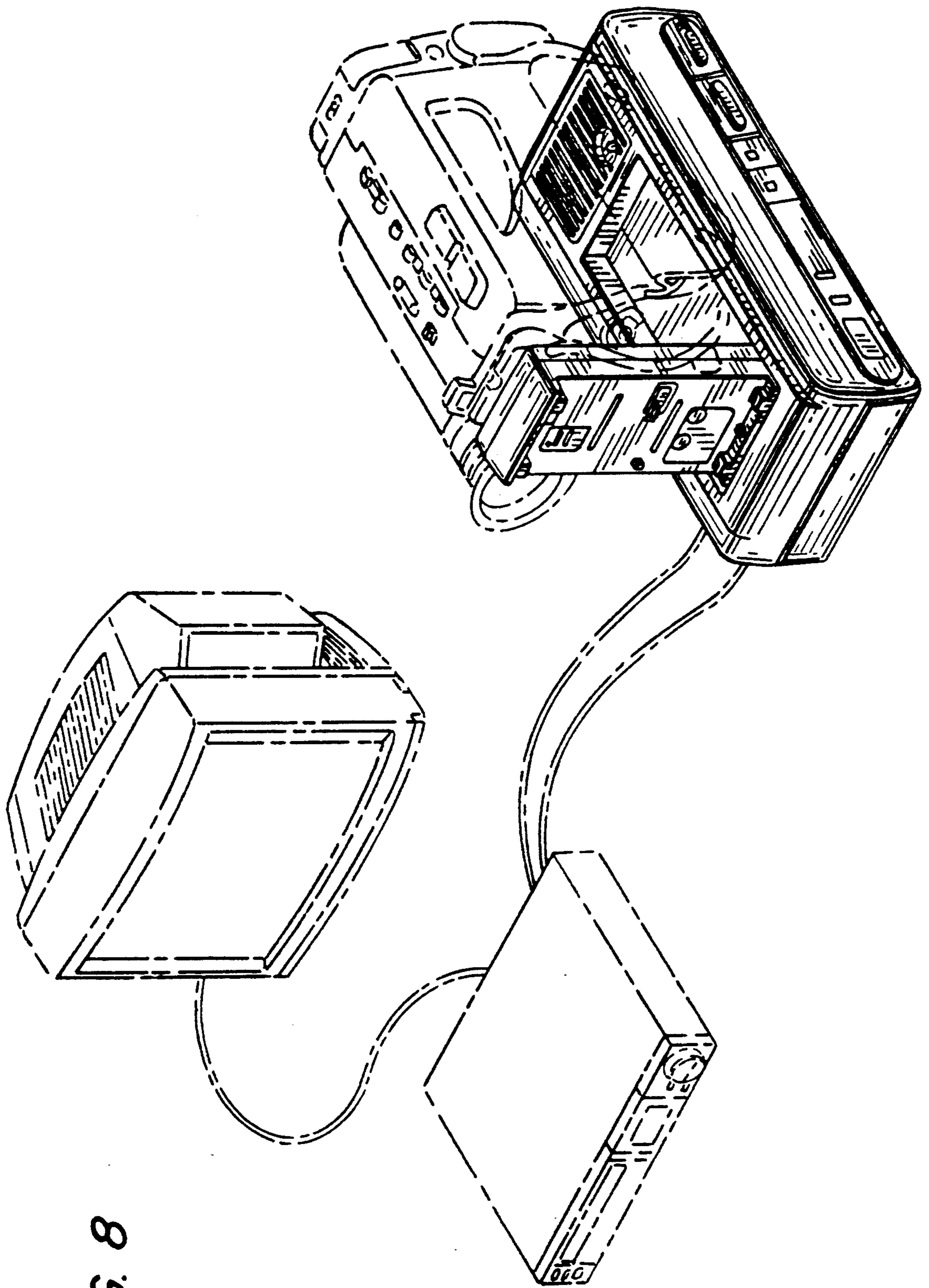


FIG. 8

FIG. 9

