



US00D346574S

United States Patent [19]

Jeshurun et al.

[11] Patent Number: **Des. 346,574**

[45] Date of Patent: **** May 3, 1994**

[54] **BICYCLE HANDLEBAR**

[75] Inventors: **David R. Jeshurun**, 952 Ridgedale, Birmingham, Mich. 48009; **Joseph Toth**, 2001 Burger, Dearborn, Mich. 48128

[73] Assignees: **Weston W. Marsh; Vasanth Surath; David R. Jeshurun; Joseph Toth**

[**] Term: **14 Years**

[21] Appl. No.: **1,853**

[22] Filed: **Nov. 24, 1992**

[52] U.S. Cl. **D12/178**

[58] Field of Search 280/281.1, 288.1, 288.2, 280/288.3; 74/551.1, 551.8, 551.9; D12/178

[56] **References Cited**

U.S. PATENT DOCUMENTS

D. 301,027	5/1989	Borromeo	D12/178
4,245,522	1/1981	Robinson	74/551.1
4,462,267	7/1984	Shimano	74/551.1

5,083,476	1/1992	Borromeo	D12/178
5,159,851	11/1992	Ruhmes	74/551.9
5,165,301	11/1992	Jeshurun et al.	74/551.1
5,197,350	3/1993	Borromeo	74/551.1

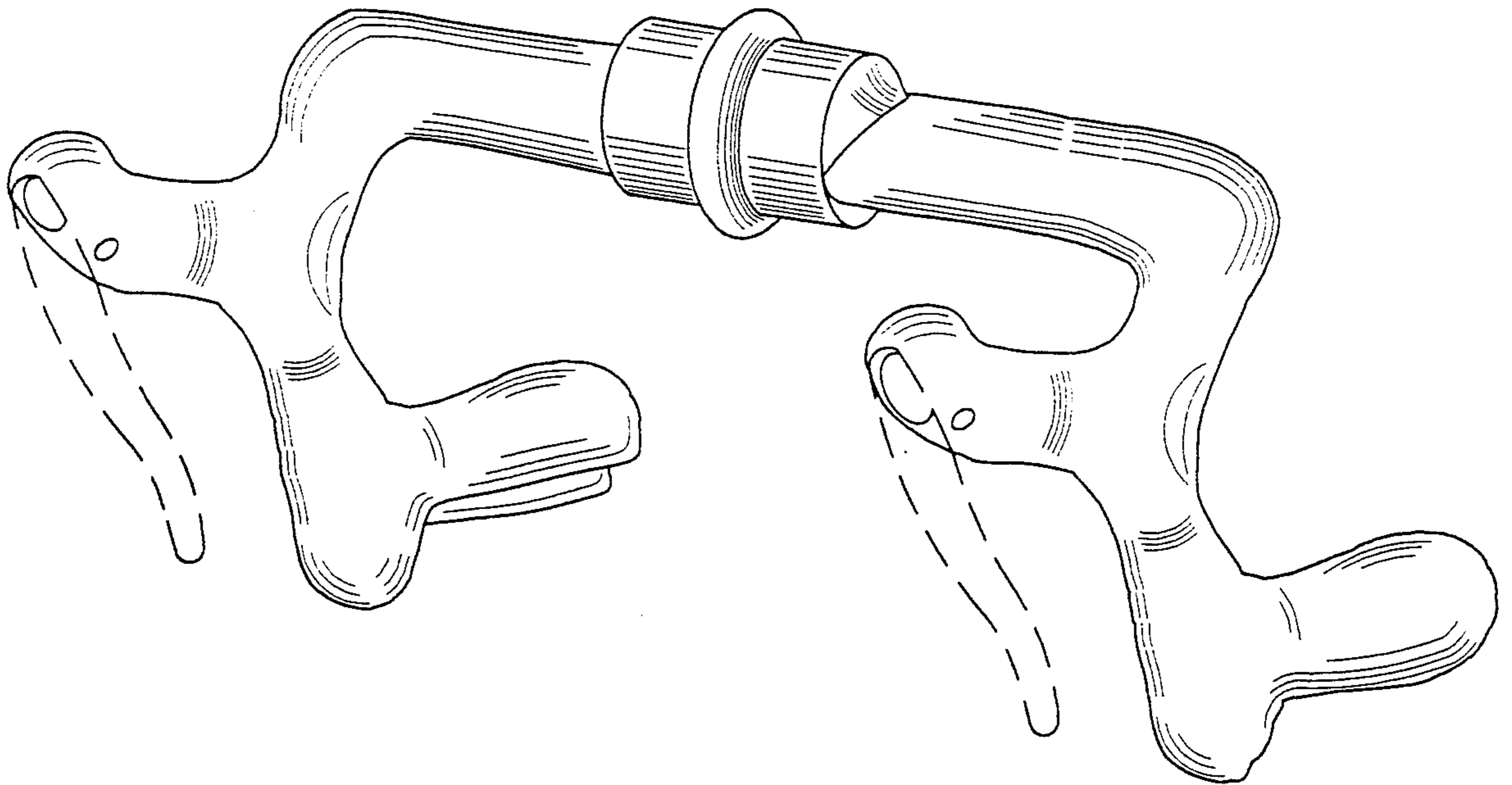
Primary Examiner—Wallace R. Burke
Assistant Examiner—M. N. Brown
Attorney, Agent, or Firm—Robert L. Marsh

[57] **CLAIM**

The ornamental design for a bicycle handlebar, as shown and described.

DESCRIPTION

FIG. 1 is a front elevational view of a bicycle handlebar showing our new design; FIG. 2 is a top plan view thereof; FIG. 3 is a rear elevational view thereof; FIG. 4 is a bottom plan view thereof; FIG. 5 is a left side elevational view thereof; FIG. 6 is a right side elevational view thereof; and, FIG. 7 is a perspective view thereof, the brake actuator handles shown in broken lines are for illustrative purposes only and form no part of the claimed design.



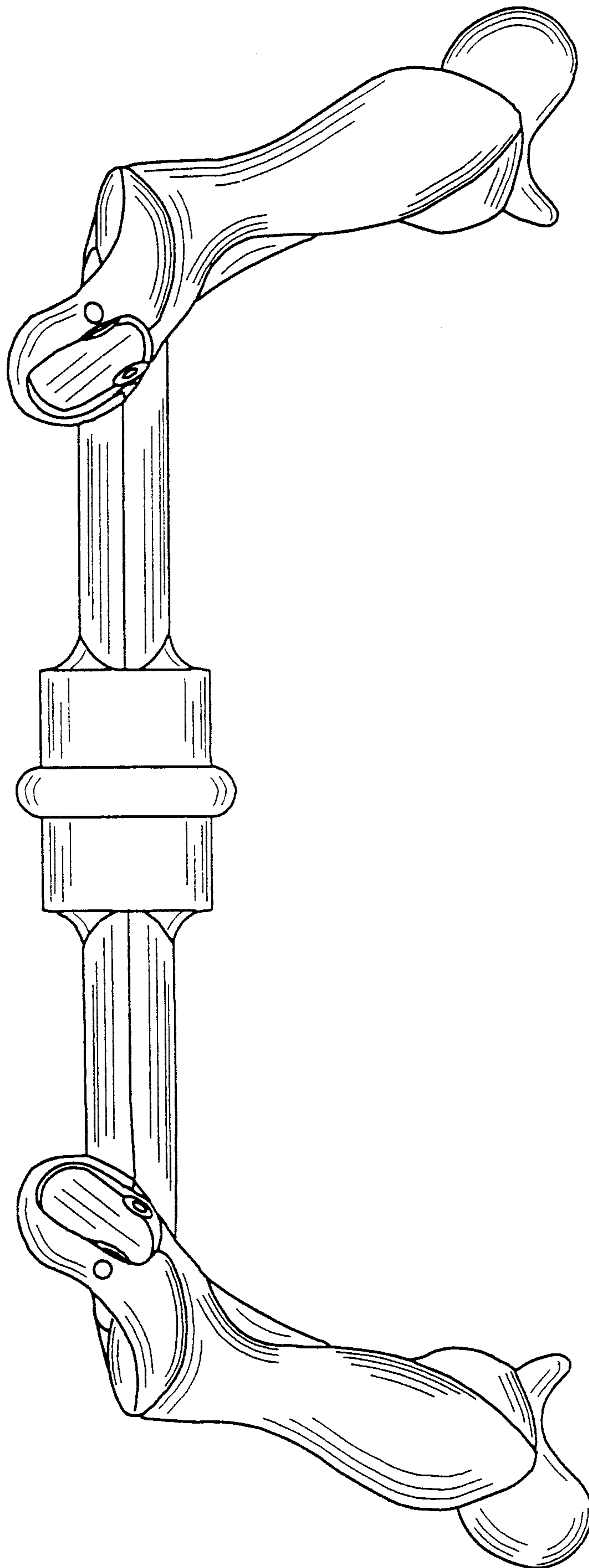


FIG. 1

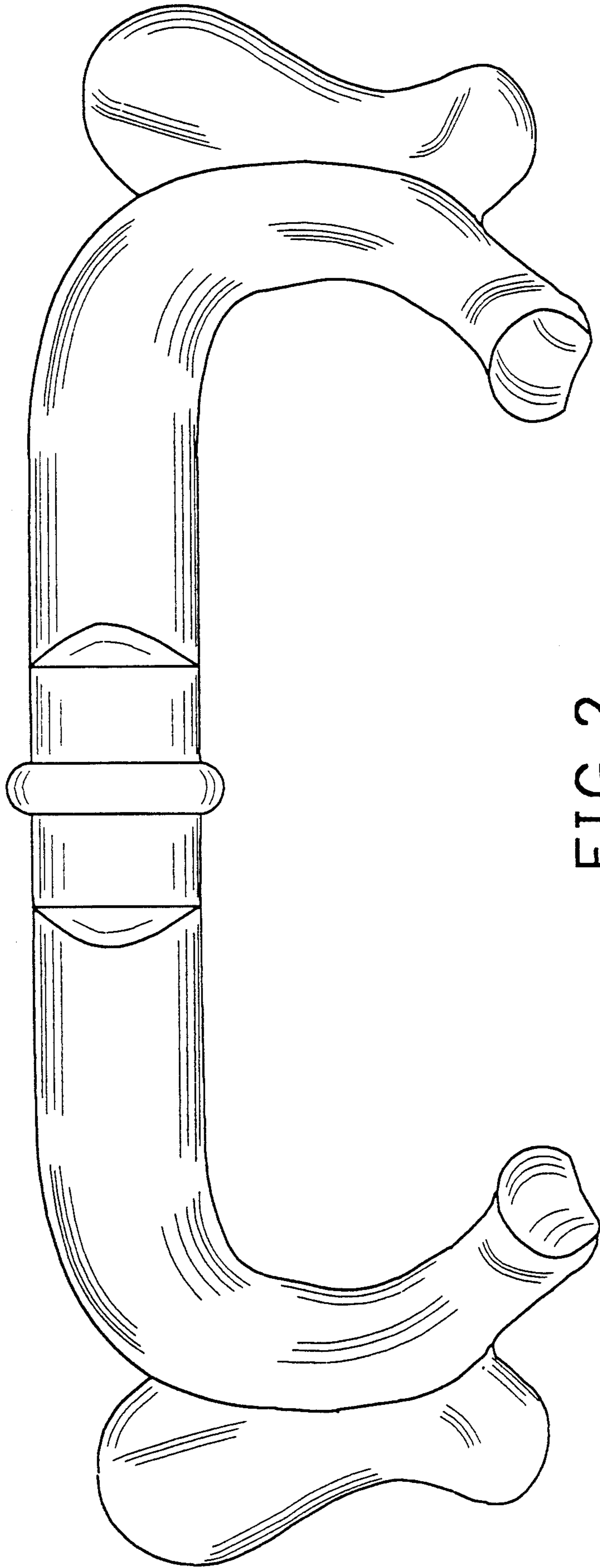


FIG. 2

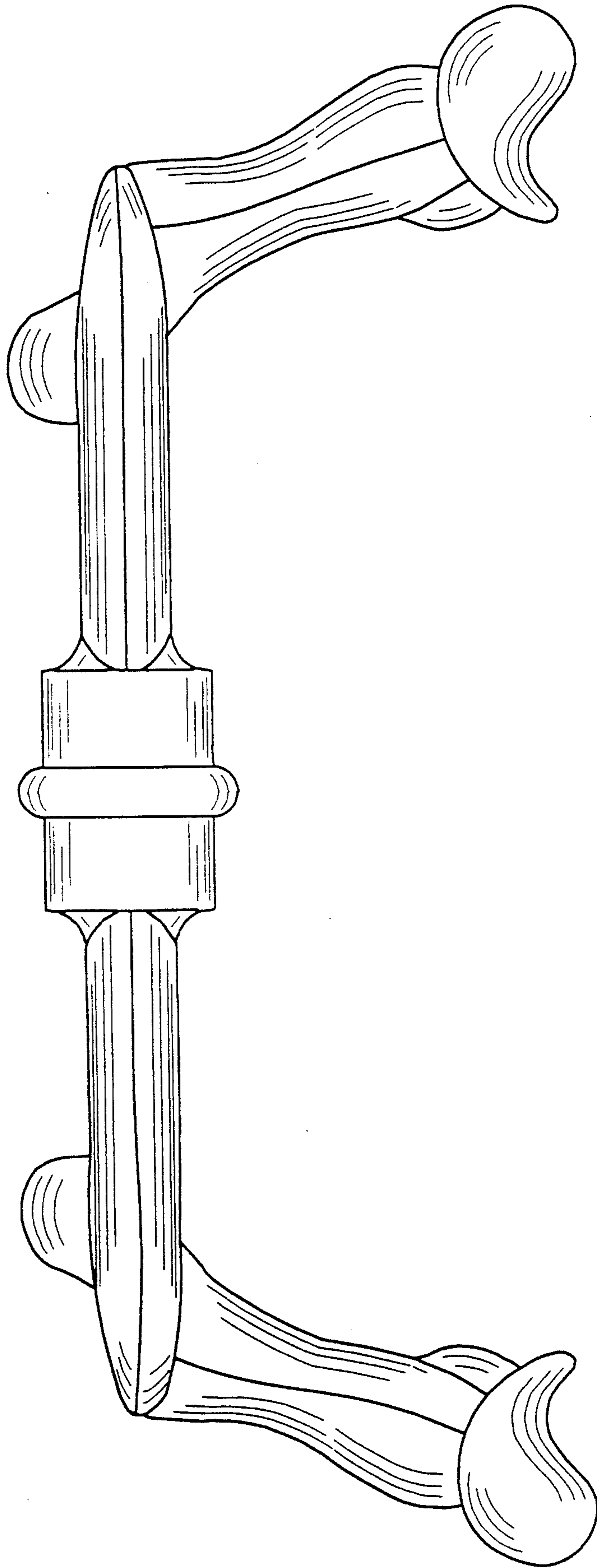


FIG. 3

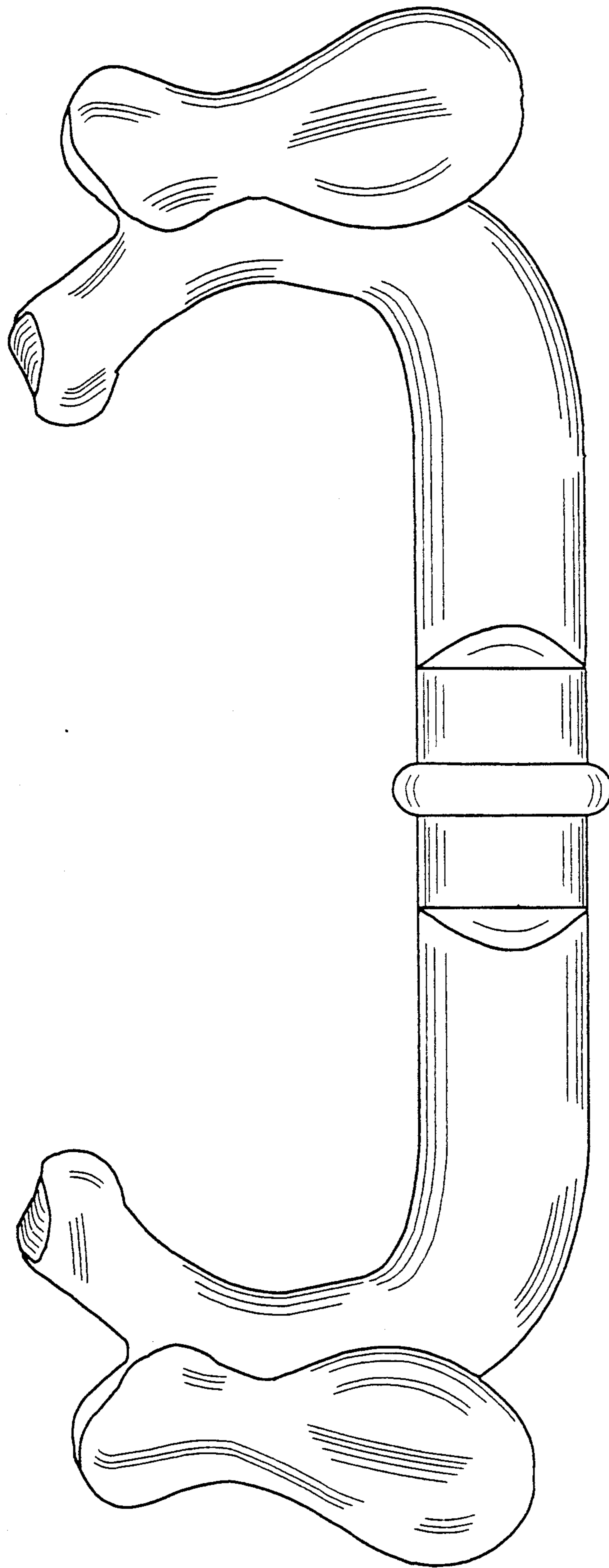


FIG. 4

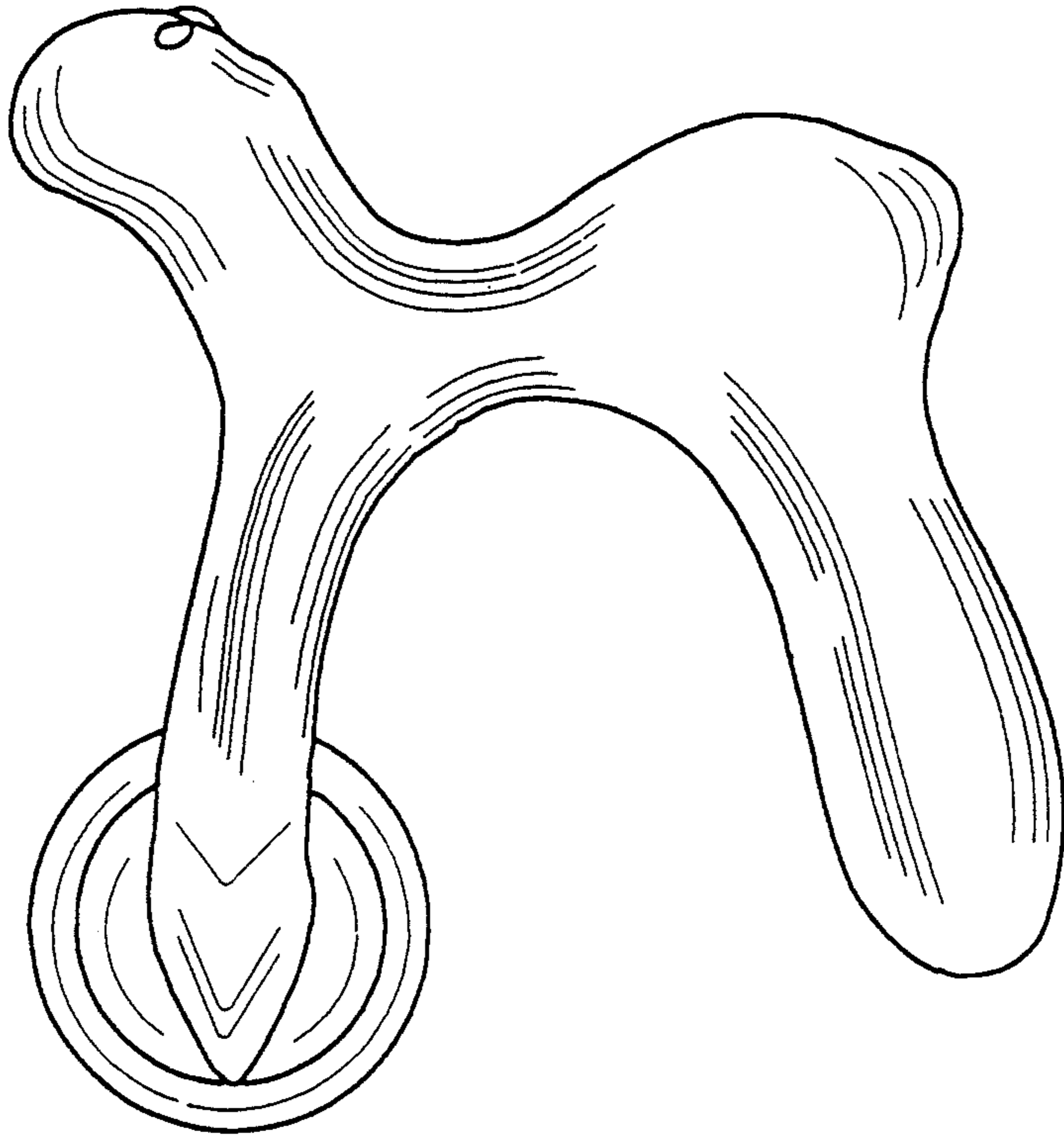


FIG. 6

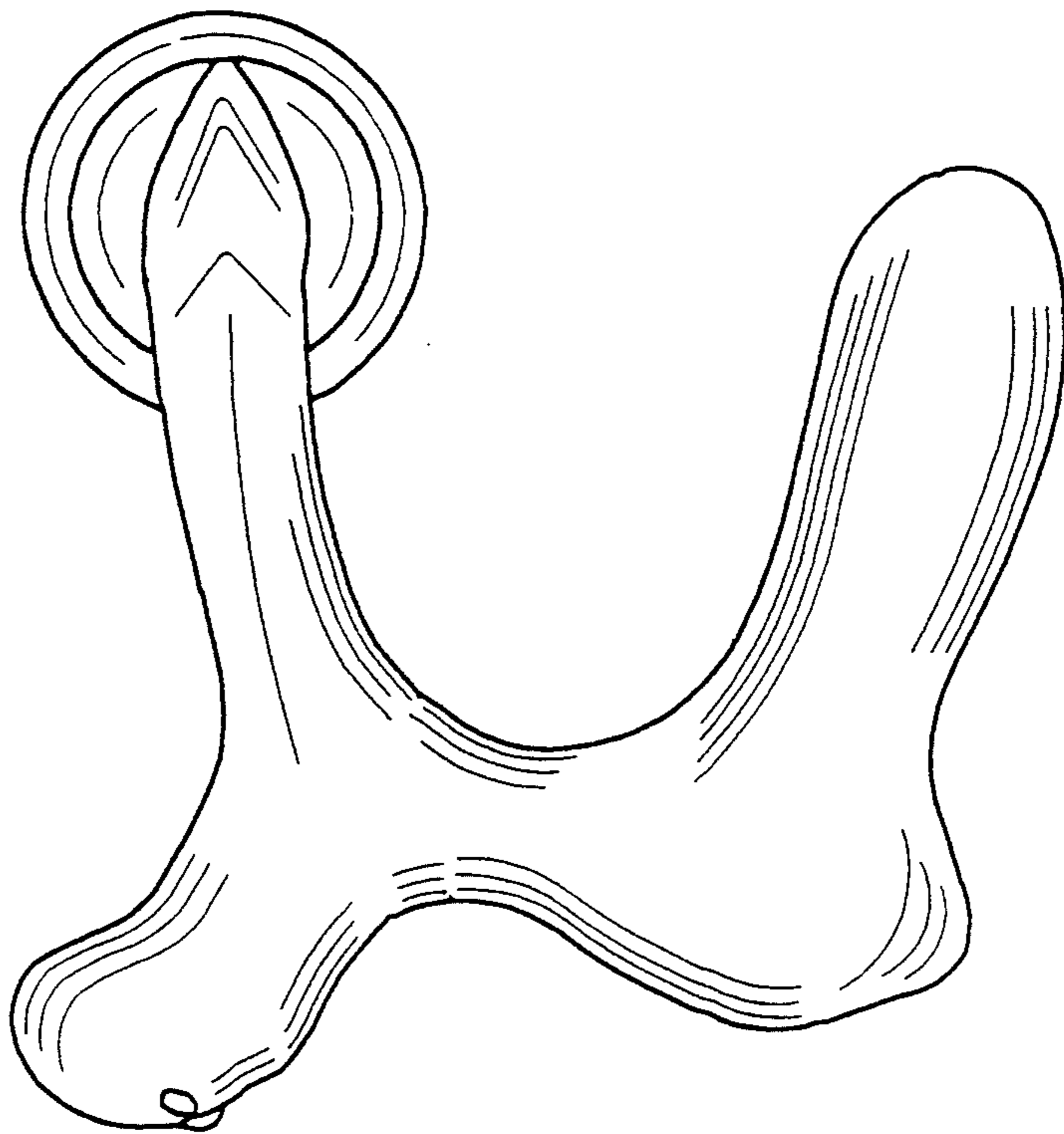


FIG. 5

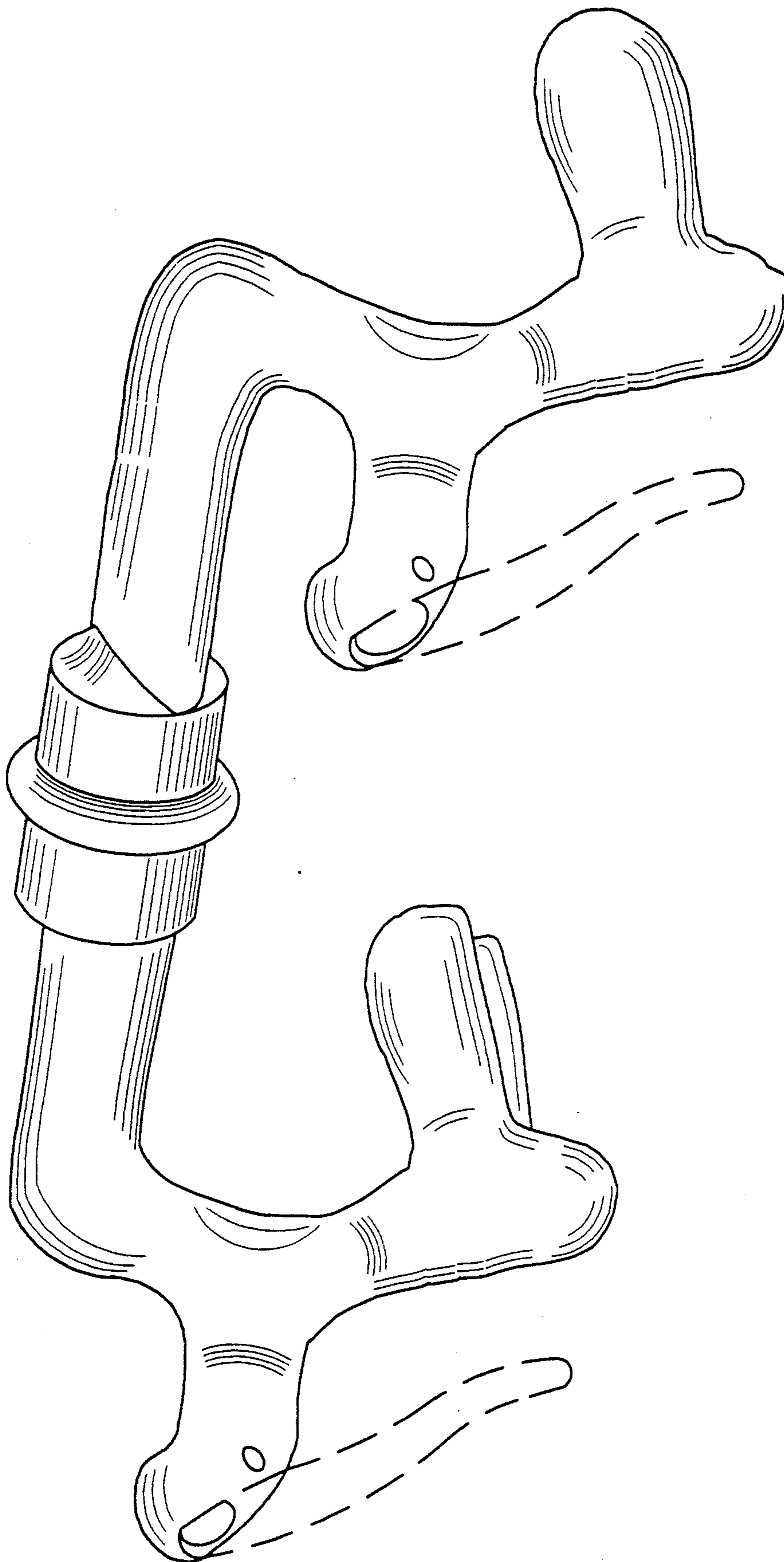


FIG. 7