



US00D346573S

# United States Patent [19]

[11] Patent Number: **Des. 346,573**

Smith, III

[45] Date of Patent: **\*\* May 3, 1994**

[54] **CART STEERING AXLE ASSEMBLY**

[76] Inventor: **John V. Smith, III**, 3000 Lakeshore Blvd., St. Cloud, Fla. 34769

[\*\*] Term: **14 Years**

[21] Appl. No.: **815,354**

[22] Filed: **Dec. 31, 1991**

[52] U.S. Cl. .... **D12/160**

[58] Field of Search ..... 280/63, 42, 442, 490.1; 301/125, 126, 131-135; D12/160, 101, 106; D34/27

2,719,727 10/1955 Witwer ..... D12/106  
 3,685,853 8/1972 Goldsmith ..... 280/656  
 4,261,594 4/1981 Corbett et al. .... 280/656  
 4,666,359 5/1987 Parr ..... 280/63  
 5,054,151 10/1991 Estes, Sr. .... 280/442  
 5,161,814 11/1992 Walker ..... 280/63

*Primary Examiner*—Wallace R. Burke  
*Assistant Examiner*—Melody Brown  
*Attorney, Agent, or Firm*—William M. Hobby, III

## [57] CLAIM

The ornamental design for a cart steering axle assembly, design as shown.

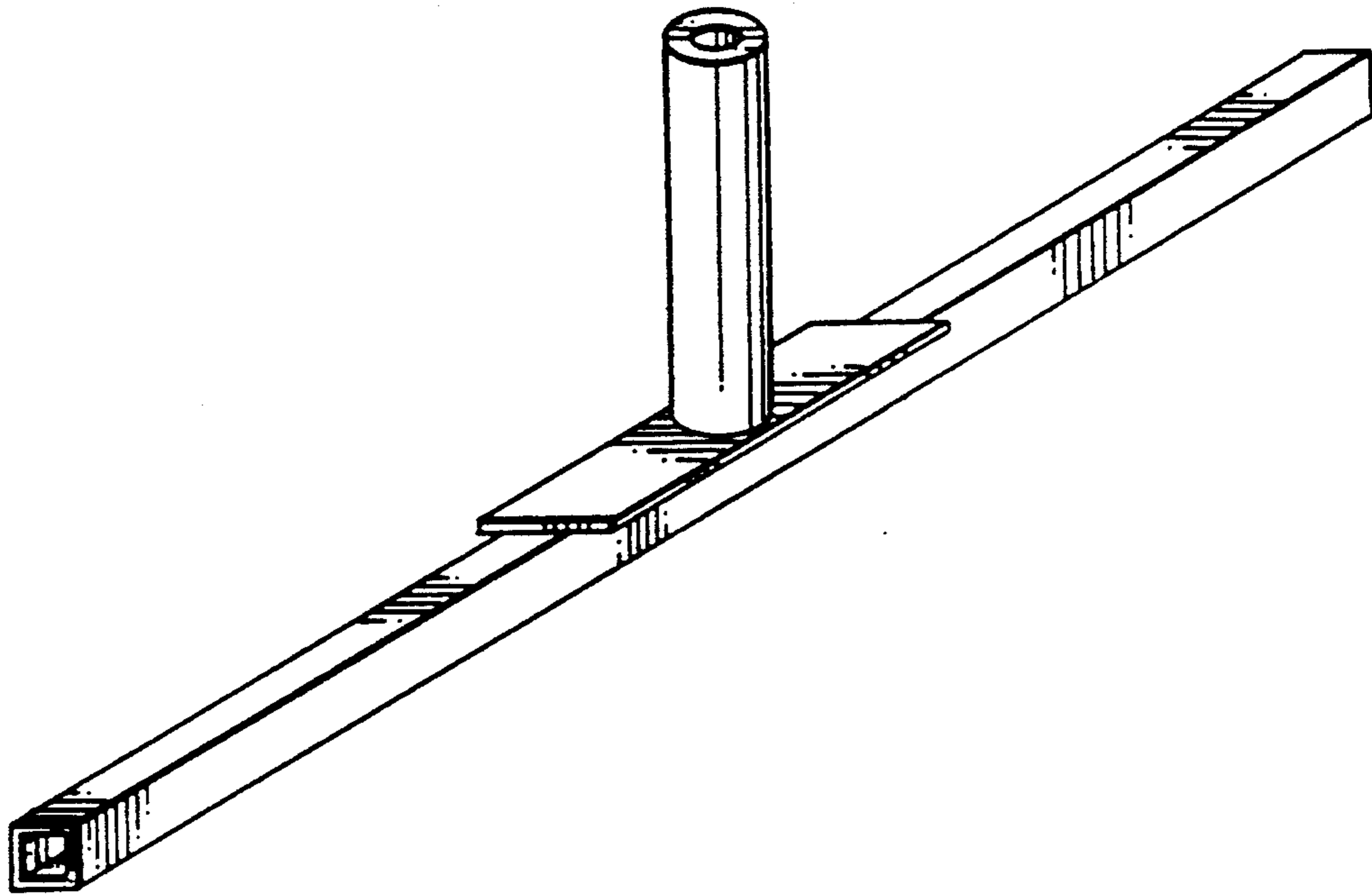
## [56] References Cited

### U.S. PATENT DOCUMENTS

Re. 29,455 10/1977 Slayton ..... 280/63  
 D. 32,178 1/1900 Flewelling ..... D12/160  
 D. 255,230 6/1980 Marti ..... D12/160  
 308,531 11/1884 Therien ..... D12/160  
 2,365,884 12/1944 Kucera ..... 280/63

## DESCRIPTION

FIG. 1 is a front side perspective of my new cart steering axle assembly;  
 FIG. 2 is a rear side elevation;  
 FIG. 3 is a bottom plan view;  
 FIG. 4 is a top plan view; and,  
 FIG. 5 is an end elevation.



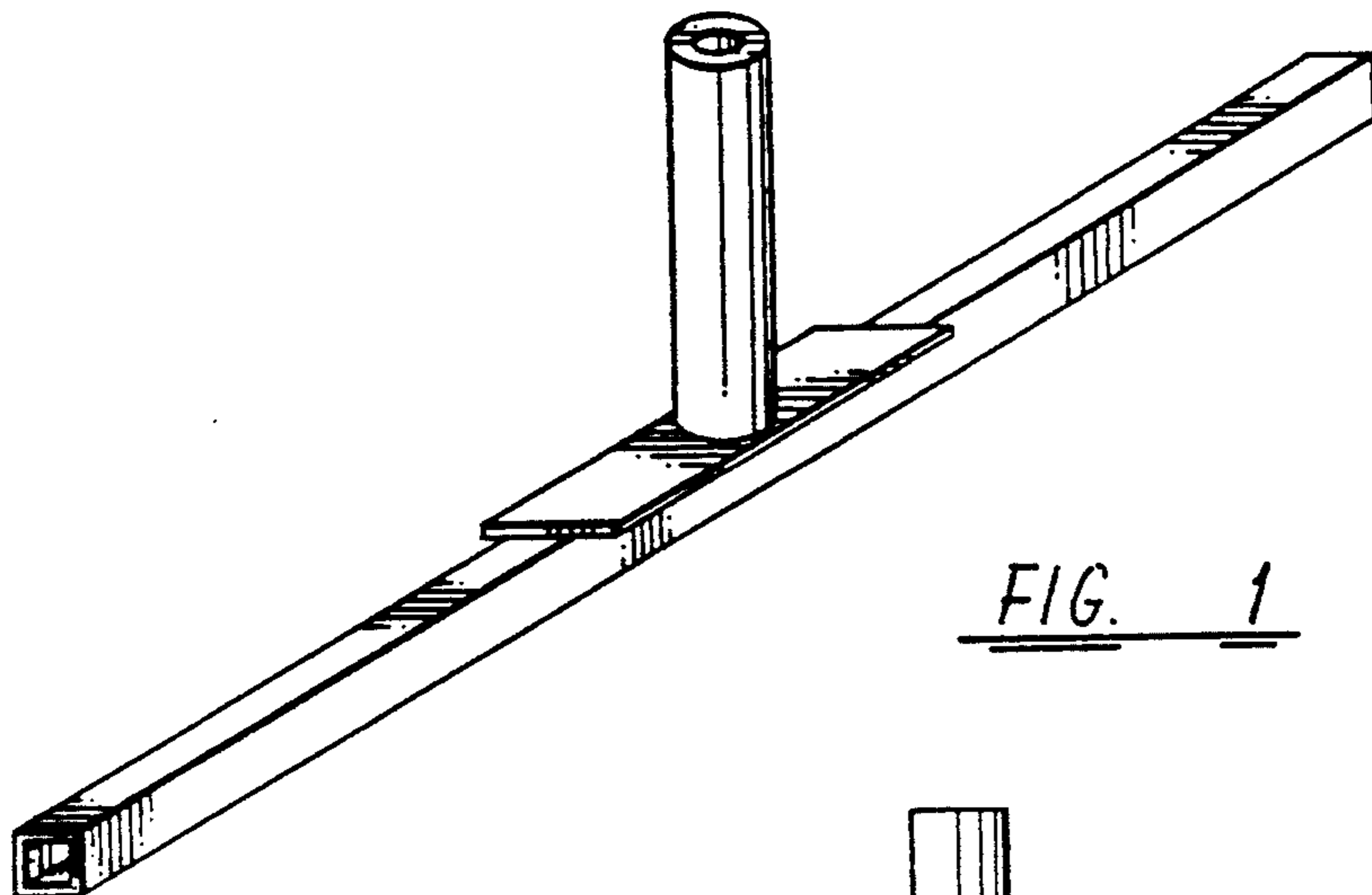


FIG. 1

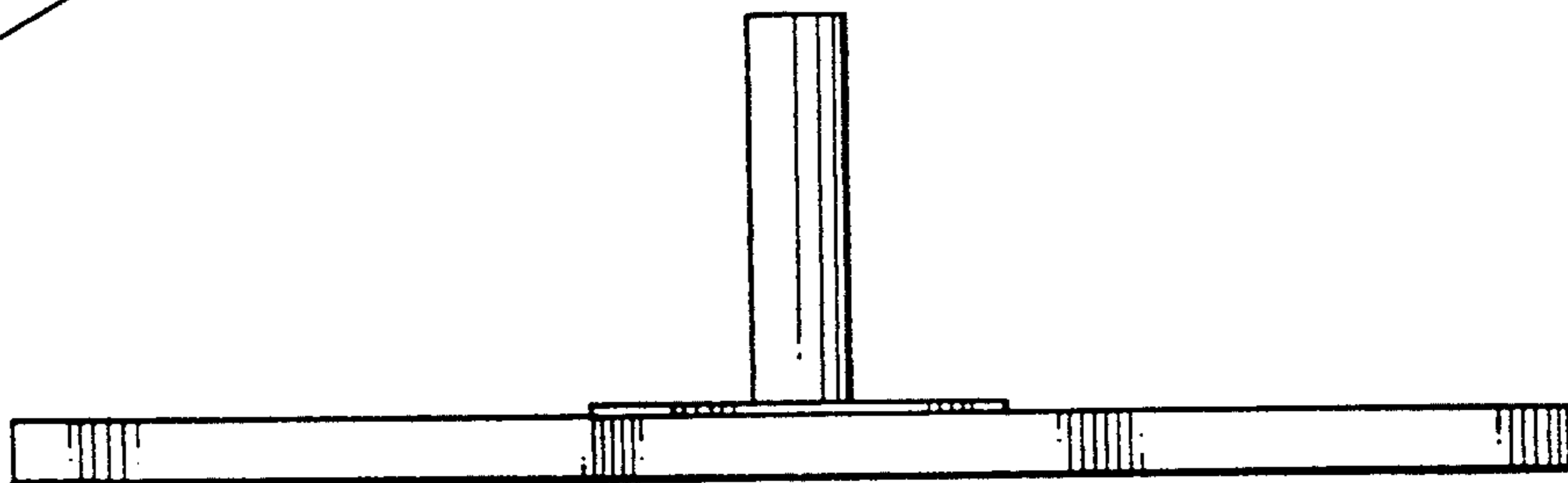


FIG. 2

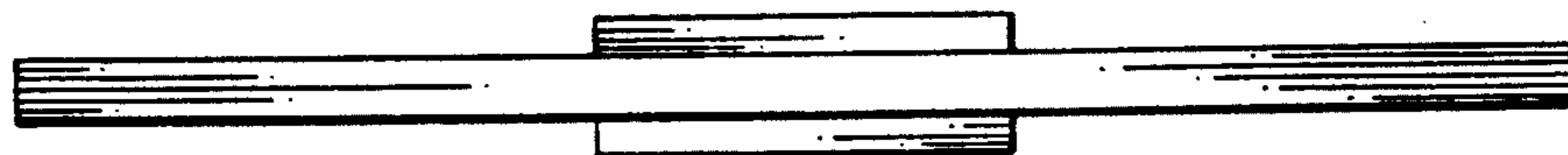


FIG. 3



FIG. 5



FIG. 4