



US00D346570S

United States Patent [19]

[11] Patent Number: **Des. 346,570**

Sacco et al.

[45] Date of Patent: **** May 3, 1994**

[54] **AUTOMOBILE**

[56] **References Cited**

[75] Inventors: **Bruno Sacco; Joseph Gallitzendörfer; Peter Pfeiffer**, all of Sindelfingen, Fed. Rep. of Germany

U.S. PATENT DOCUMENTS

D. 278,992 5/1985 Breitschwerdt et al. D12/92
D. 284,644 7/1986 Breitschwerdt et al. D12/92
D. 325,715 4/1992 Hoernig et al. D12/92

[73] Assignee: **Mercedes-Benz AG**, Stuttgart, Fed. Rep. of Germany

Primary Examiner—James M. Gandy
Attorney, Agent, or Firm—Evenson, McKeown, Edwards & Lenahan

[*] Notice: The portion of the term of this patent subsequent to Apr. 28, 2006 has been disclaimed.

[57] **CLAIM**

The ornamental design for an automobile, as shown and described.

[**] Term: **14 Years**

DESCRIPTION

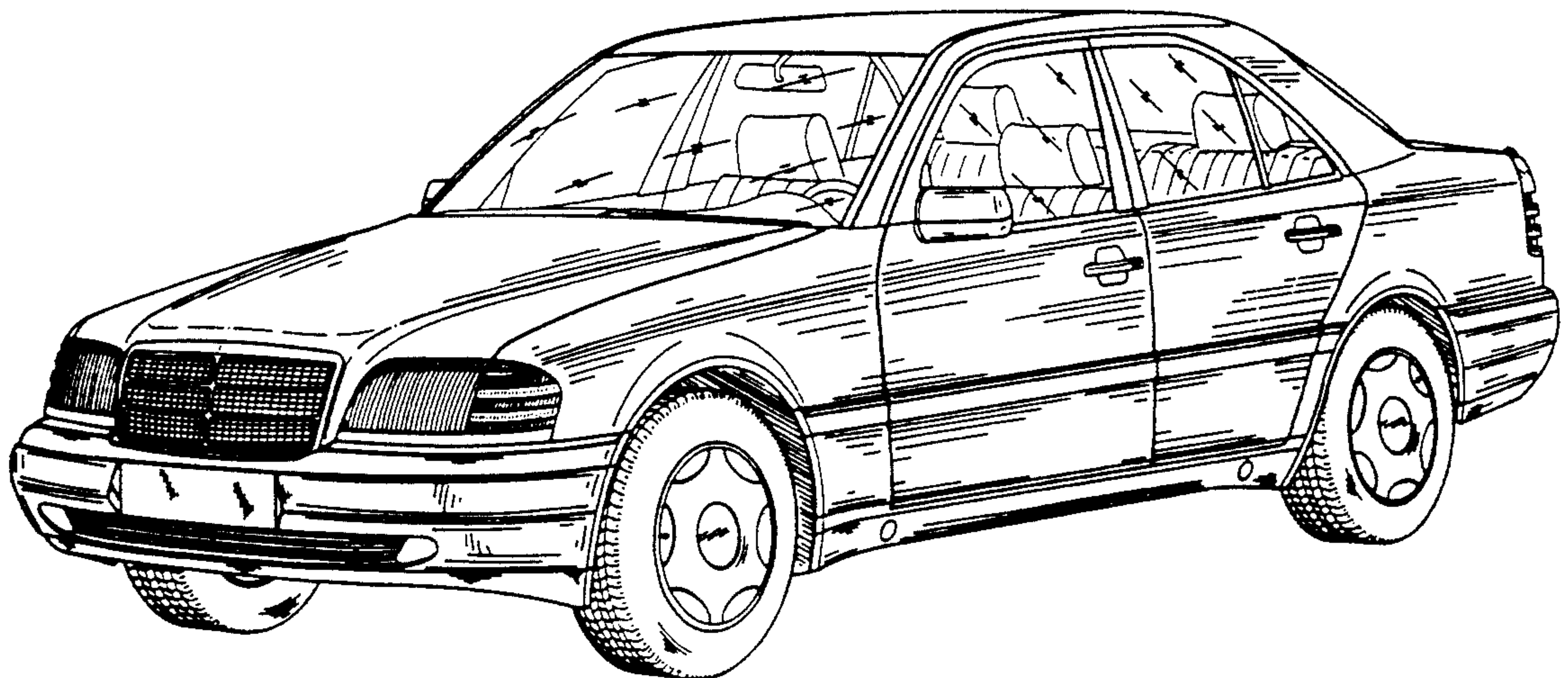
[21] Appl. No.: **710,936**

FIG. 1 is a left side perspective view taken from the front of an automobile embodying our novel design; FIG. 2 is a left side perspective view taken from the rear thereof; FIG. 3 is a left side elevation thereof; FIG. 4 is a front elevation view thereof; FIG. 5 is a rear elevation view thereof; and, FIG. 6 is a top plan view thereof. The right side of the automobile is a mirror image of the left side.

[22] Filed: **Jun. 6, 1991**

[30] Foreign Application Priority Data

Dec. 19, 1990 [DE] Fed. Rep. of Germany 9008367
[52] U.S. Cl. **D12/92**
[58] Field of Search 296/185; D12/92



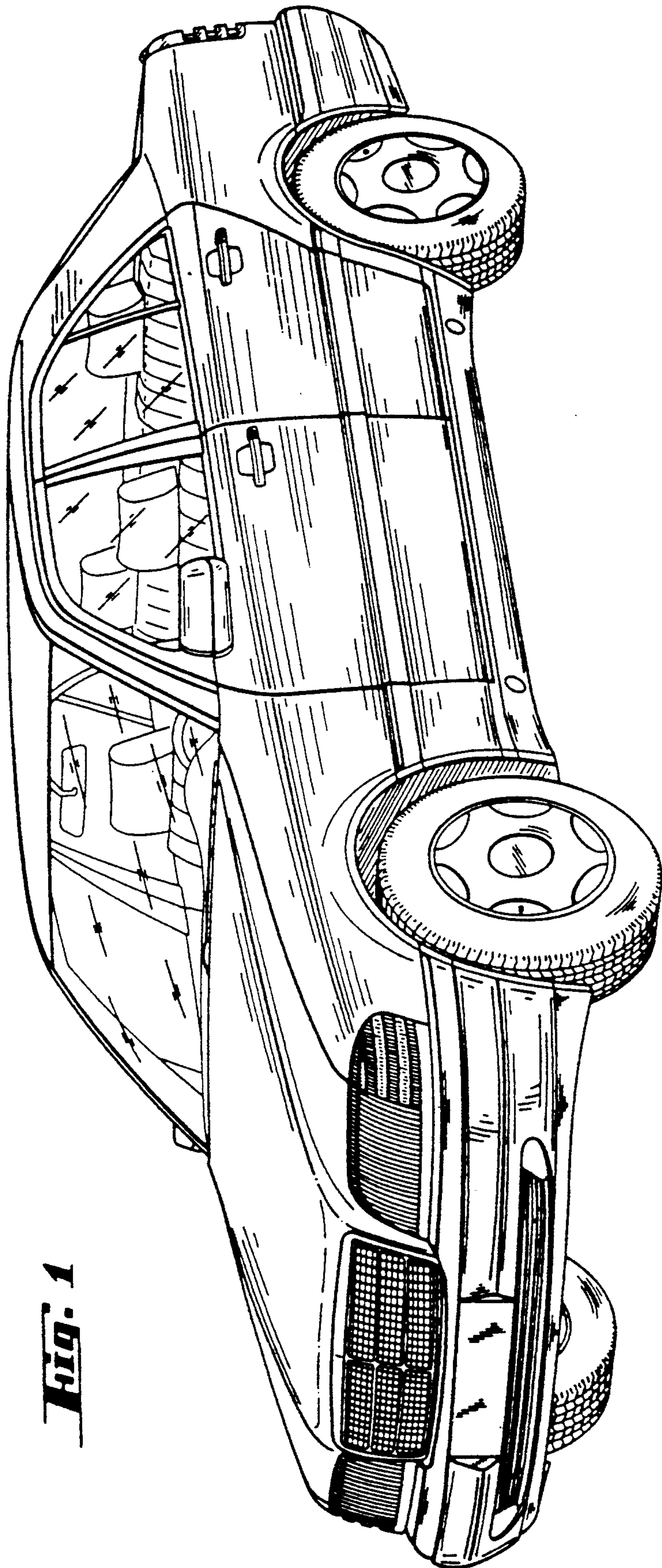


Fig. 1

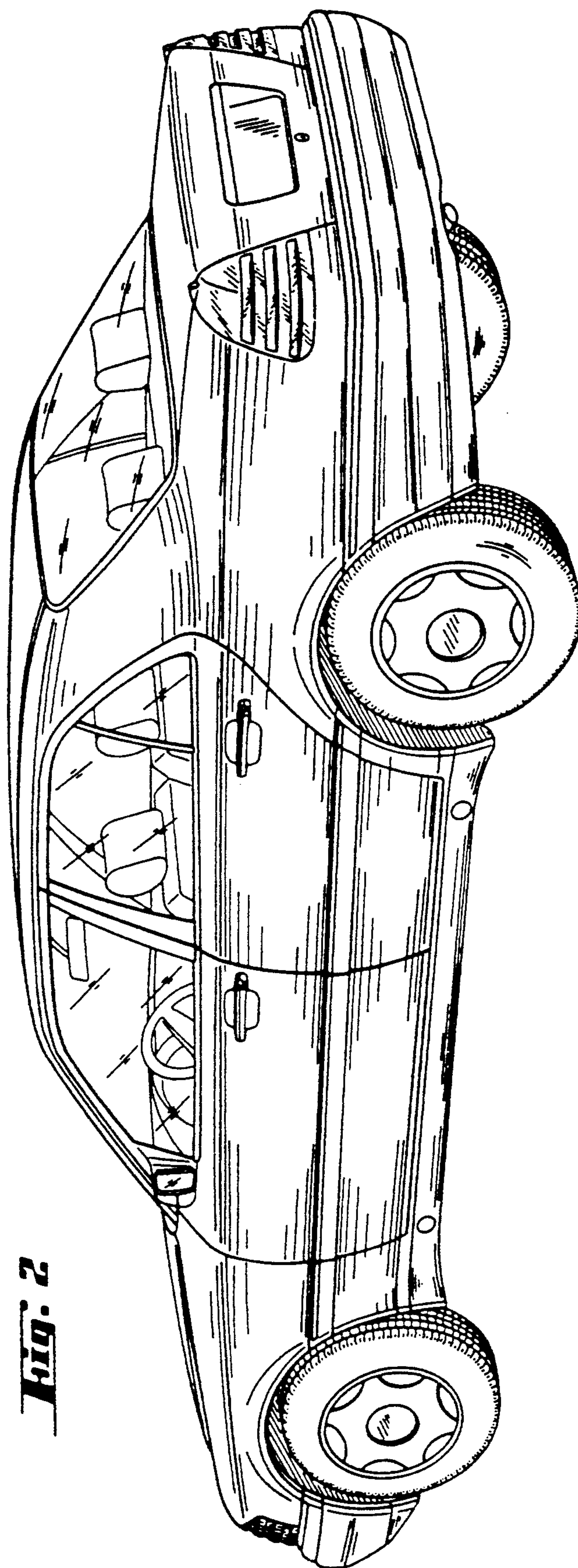


Fig. 2

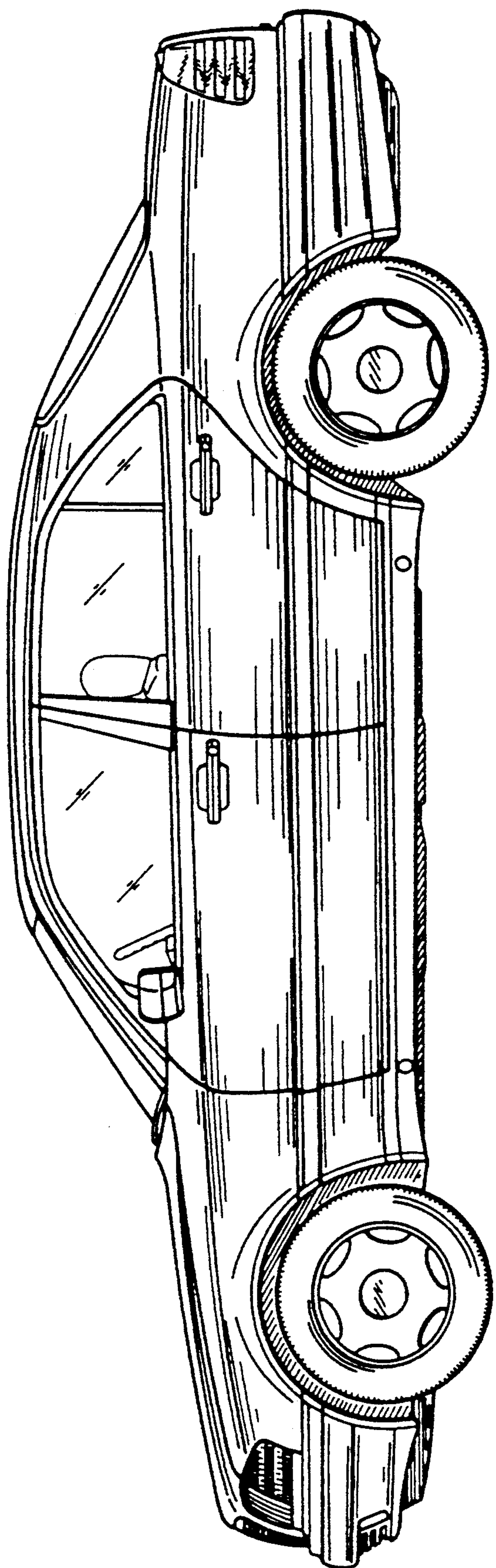


Fig. 3

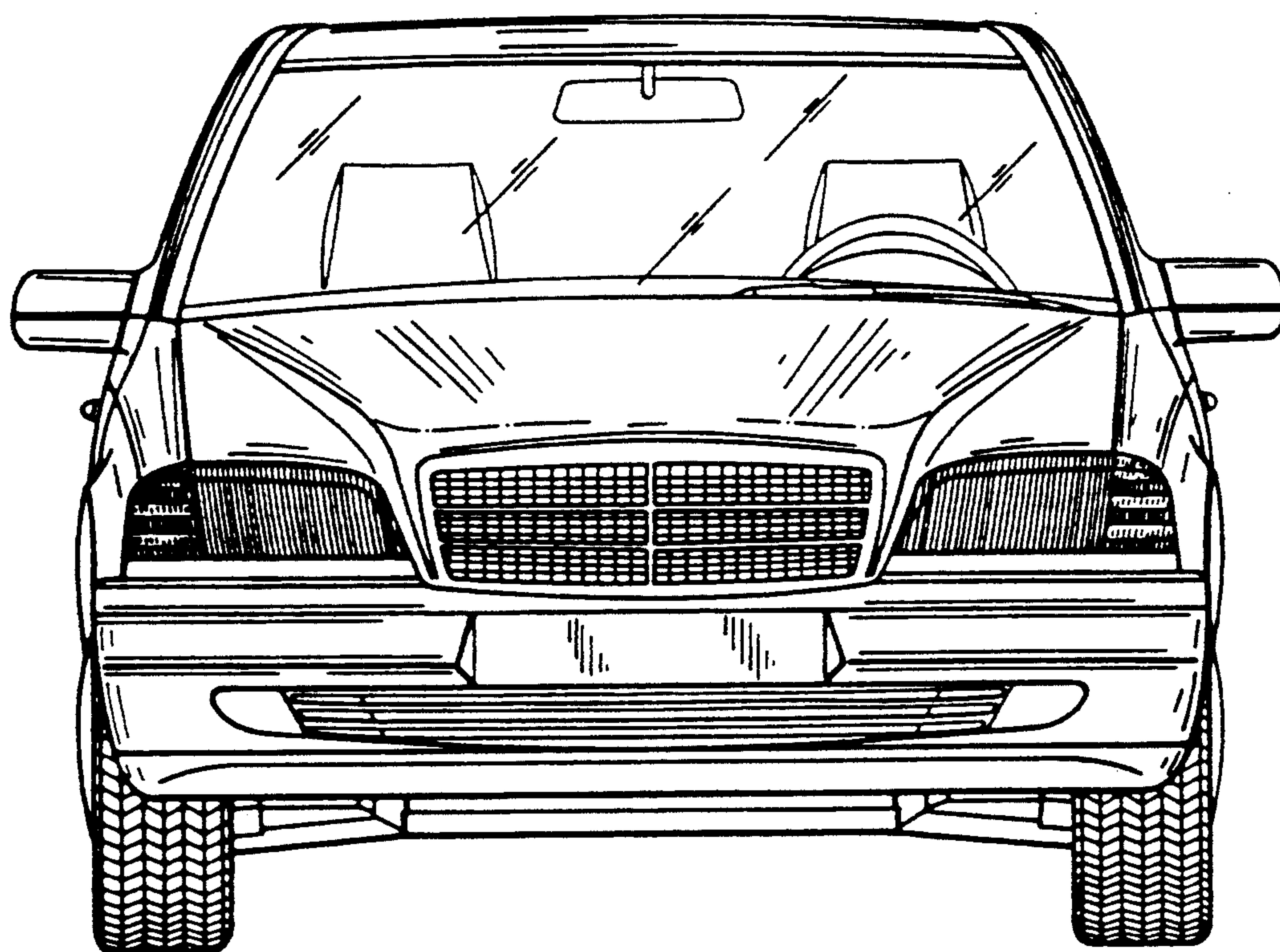


Fig. 4

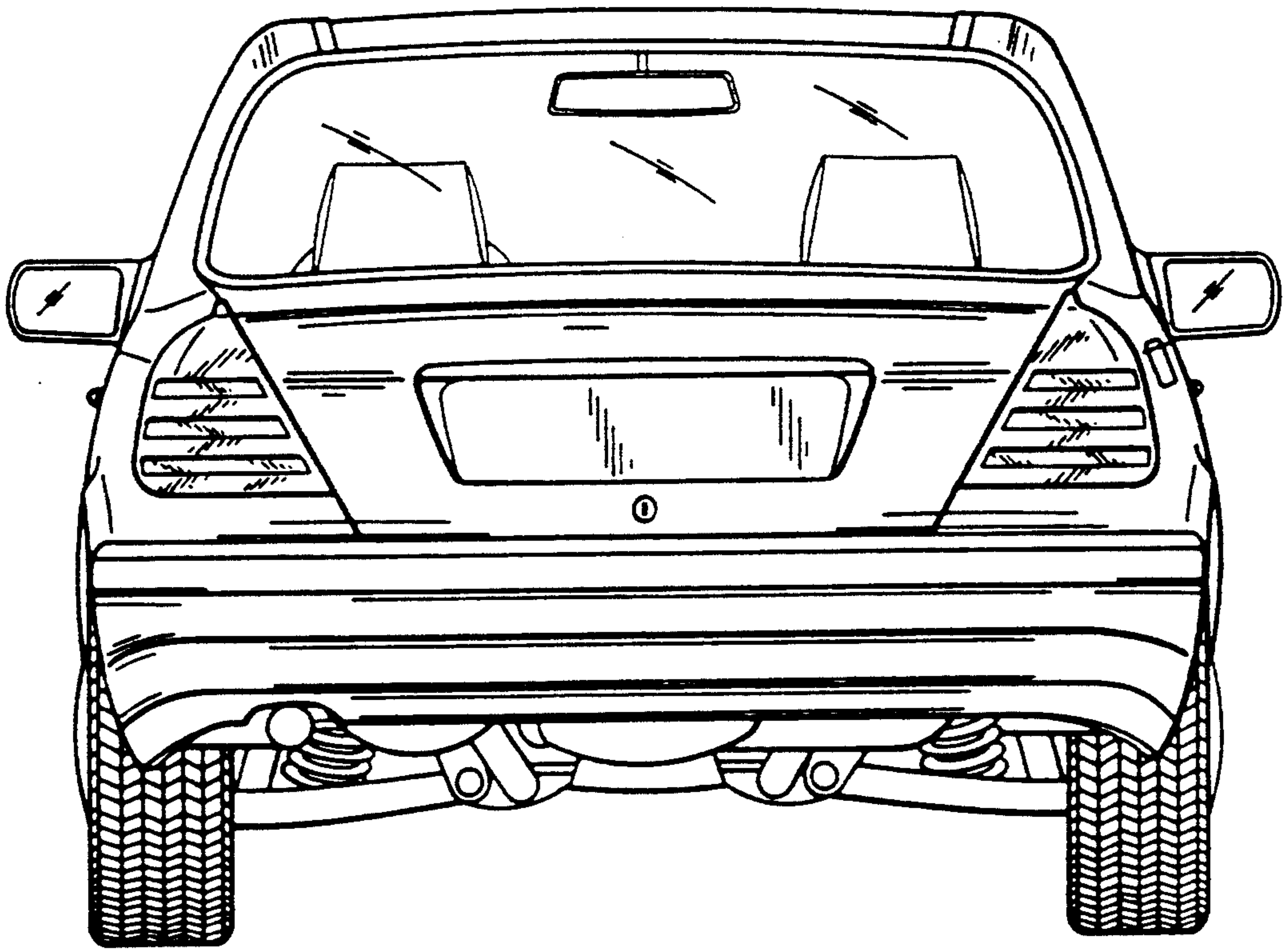


Fig. 5

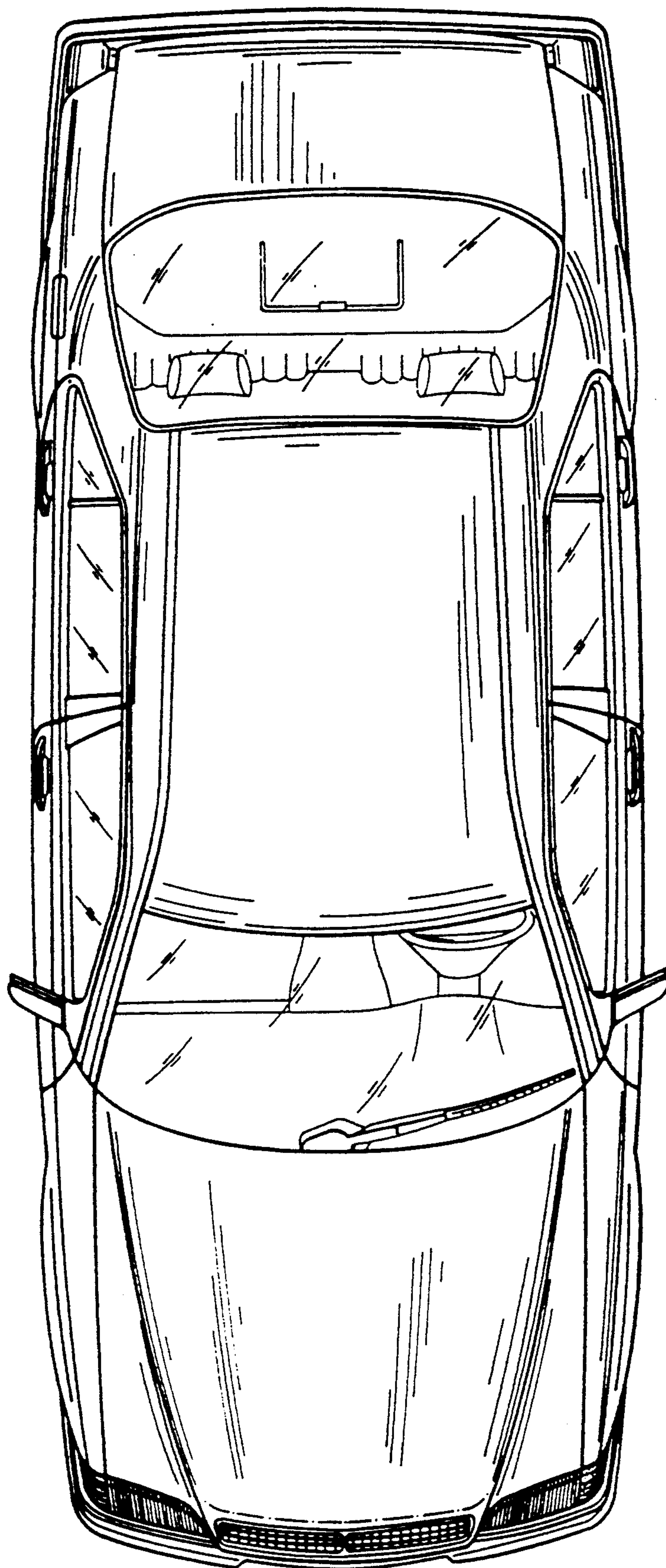


Fig. 6