



US00D346562S

# United States Patent [19]

[11] Patent Number: **Des. 346,562**

Parsons et al.

[45] Date of Patent: **\*\* May 3, 1994**

[54] REFLECTOR

[56]

### References Cited

#### U.S. PATENT DOCUMENTS

|           |         |                |         |
|-----------|---------|----------------|---------|
| 3,800,623 | 4/1974  | Baginski ..... | 359/521 |
| 4,063,798 | 12/1977 | Pawsat .....   | 359/521 |
| 4,264,132 | 4/1981  | Konzorr .....  | 359/521 |

[76] Inventors: **William H. Parsons**, 4205 Kennesaw Dr., Birmingham, Ala. 35213; **Lloyd W. Hillman**, 4301 Chickasaw, Huntsville, Ala. 35801

*Primary Examiner*—Wallace R. Burke  
*Assistant Examiner*—Marcus Jackson  
*Attorney, Agent, or Firm*—Dann, Dorfman, Herrell and Skillman

[\*\*] Term: **14 Years**

[57]

### CLAIM

The ornamental design for a reflector, as shown and described.

[21] Appl. No.: **873,290**

### DESCRIPTION

[22] Filed: **Apr. 23, 1992**

FIG. 1 is a top, front, left hand side perspective view of a reflector showing our new design;

[52] U.S. Cl. .... **D10/111**

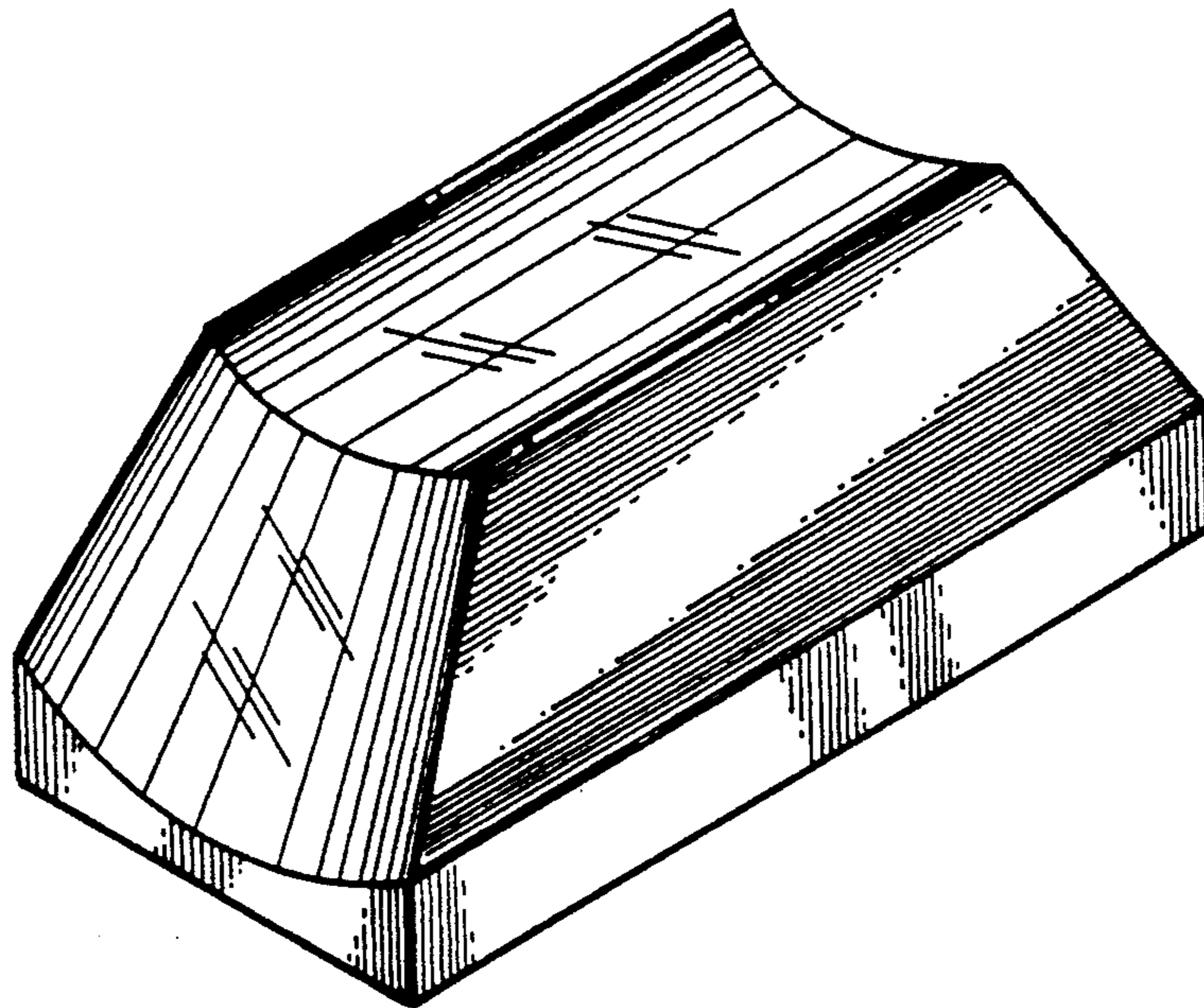
FIG. 2 is a front elevational view thereof;

[58] Field of Search ..... 359/515, 516, 518, 519, 359/520, 521, 523, 528, 529, 531, 532, 533; D10/109, 111, 113

FIG. 3 is a left hand side elevational view thereof;

FIG. 4 is a top plan view thereof; and,

FIG. 5 is a bottom plan view thereof.



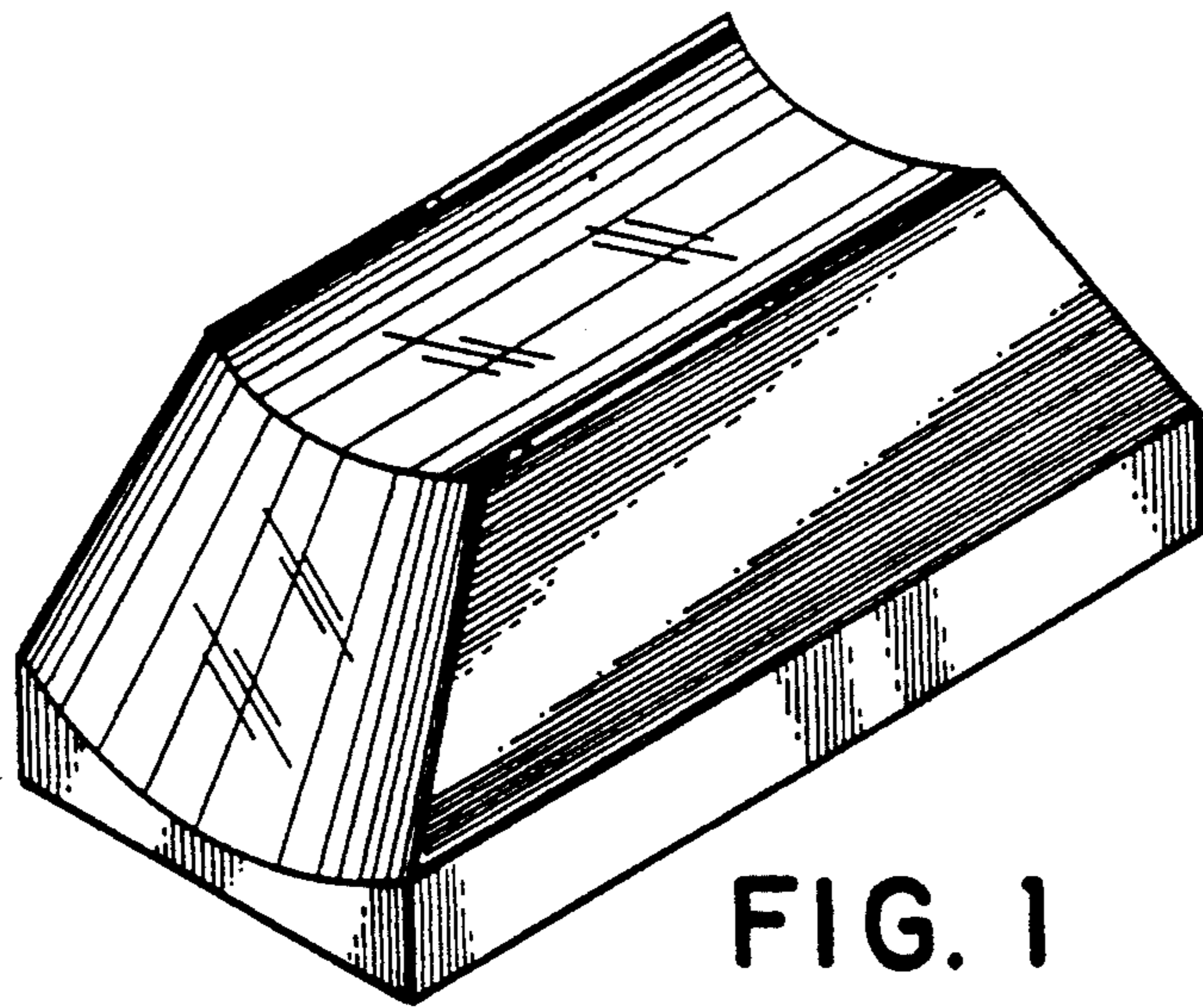


FIG. 1

FIG. 2

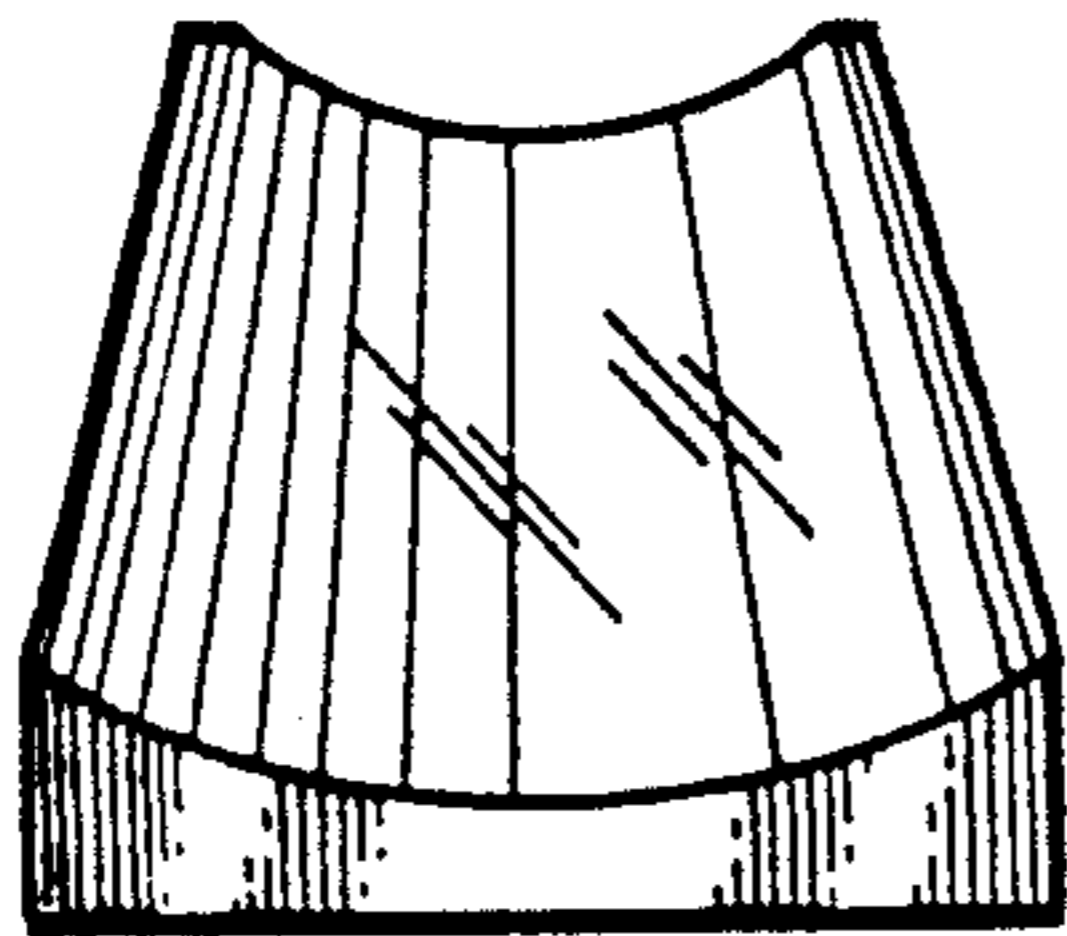


FIG. 3

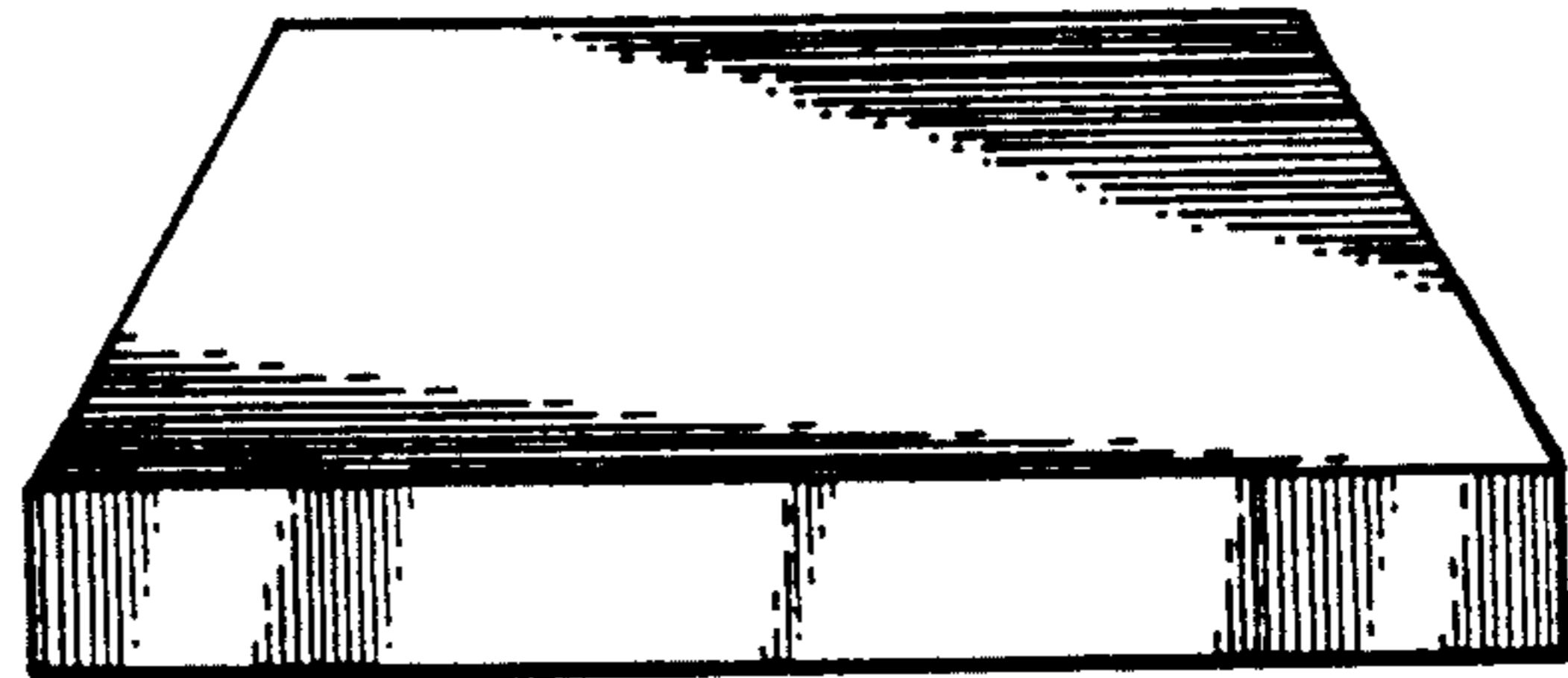


FIG. 4

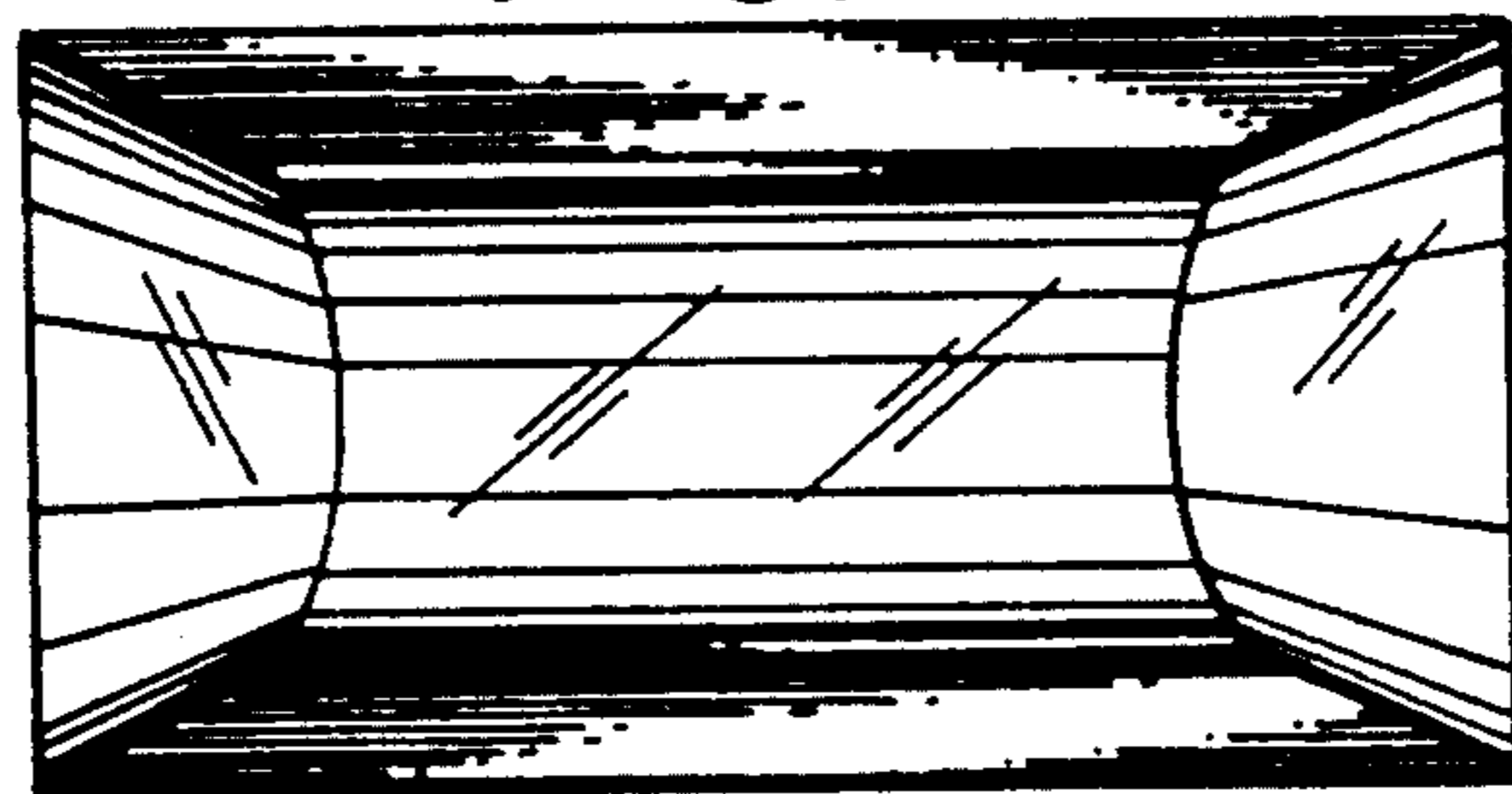


FIG. 5

