



US00D346561S

United States Patent [19]

[11] Patent Number: **Des. 346,561**

Nagai et al.

[45] Date of Patent: **** May 3, 1994**

[54] **RAINFALL SAMPLING APPARATUS**

4,836,018 6/1989 Dispenza 73/170.18 X
5,168,763 12/1992 Stewart 73/864 X

[75] Inventors: **Hiroshi Nagai; Masayuki Ohishi,**
both of Kyoto, Japan

Primary Examiner—Alan P. Douglas
Assistant Examiner—Antoine D. Davis
Attorney, Agent, or Firm—Price, Gess & Ubell

[73] Assignee: **Horiba Ltd.,** Kyoto, Japan

[**] Term: **14 Years**

[57] **CLAIM**

[21] Appl. No.: **1,089**

The ornamental design for a rainfall sampling apparatus, as shown and described.

[22] Filed: **Nov. 2, 1992**

DESCRIPTION

[30] **Foreign Application Priority Data**

Jun. 3, 1992 [JP] Japan 4-16580

[52] U.S. Cl. **D10/96; D10/56;**
D10/101

[58] **Field of Search** 73/170.17, 170.18, 170.19,
73/170.20, 170.21, 170.22, 170.23, 864, 864.51,
864.58, 864.59, 864.91; 116/227; D10/56, 96,
101

FIG. 1 is a front perspective view of a rainfall sampling apparatus showing the new design;
FIG. 2 is a plan view thereof;
FIG. 3 is a bottom view thereof;
FIG. 4 is a front elevational view thereof;
FIG. 5 is a right side elevational view thereof;
FIG. 6 is a left side elevational view thereof;
FIG. 7 is a rear elevational view thereof;
FIG. 8 is a front perspective view with the cap removed for the ease of illustration and the base rotated 90°;
FIG. 9 is a plan view of the bottom with the rotated base; and,
FIG. 10 is a perspective view with the exterior casing removed for the ease of illustration.

[56] **References Cited**

U.S. PATENT DOCUMENTS

4,140,011 2/1979 Krupa et al. 73/170.17
4,233,841 11/1980 Abele 73/170.17
4,476,718 10/1984 Plank et al. 73/170.23

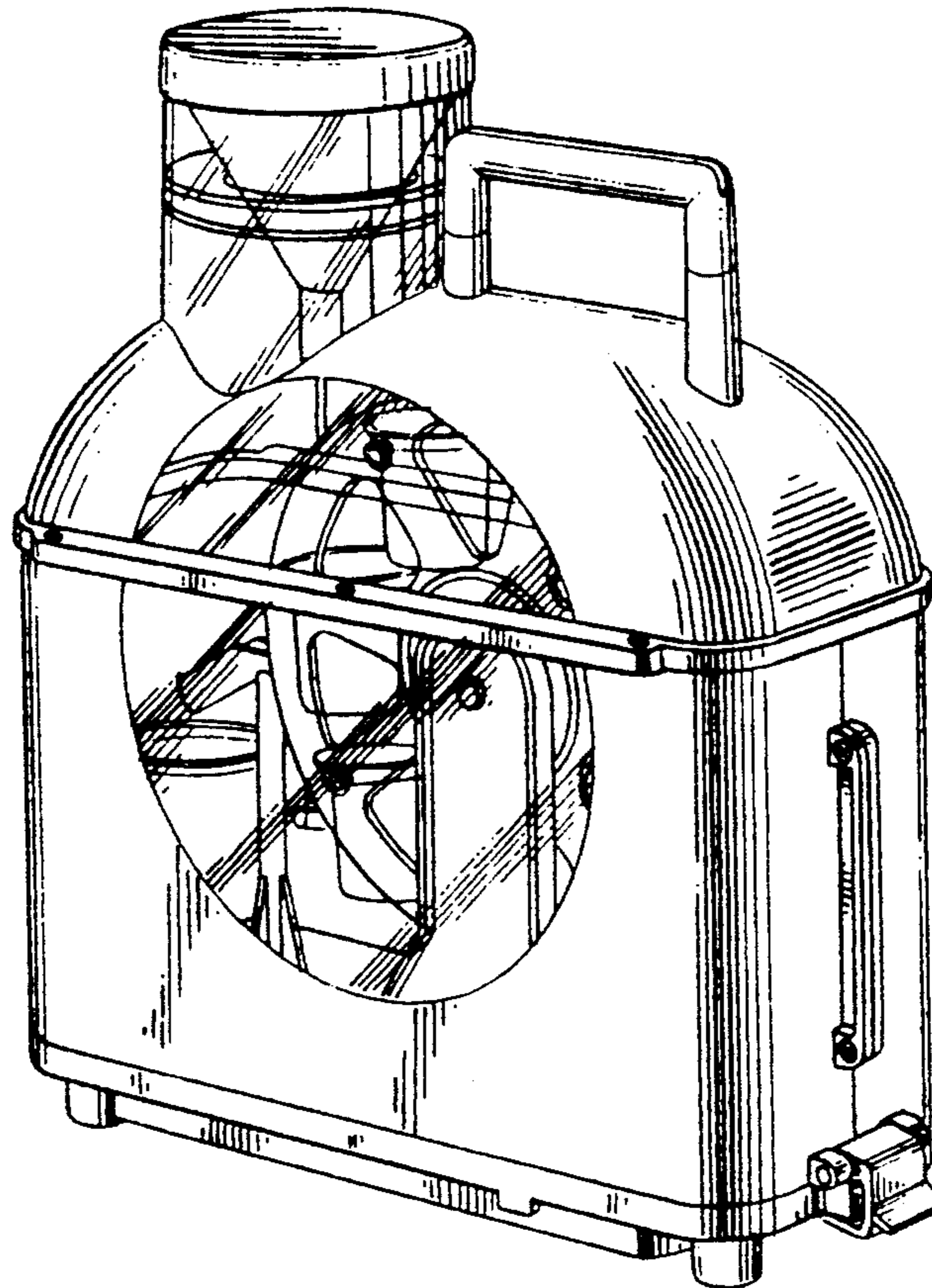


FIG. 1

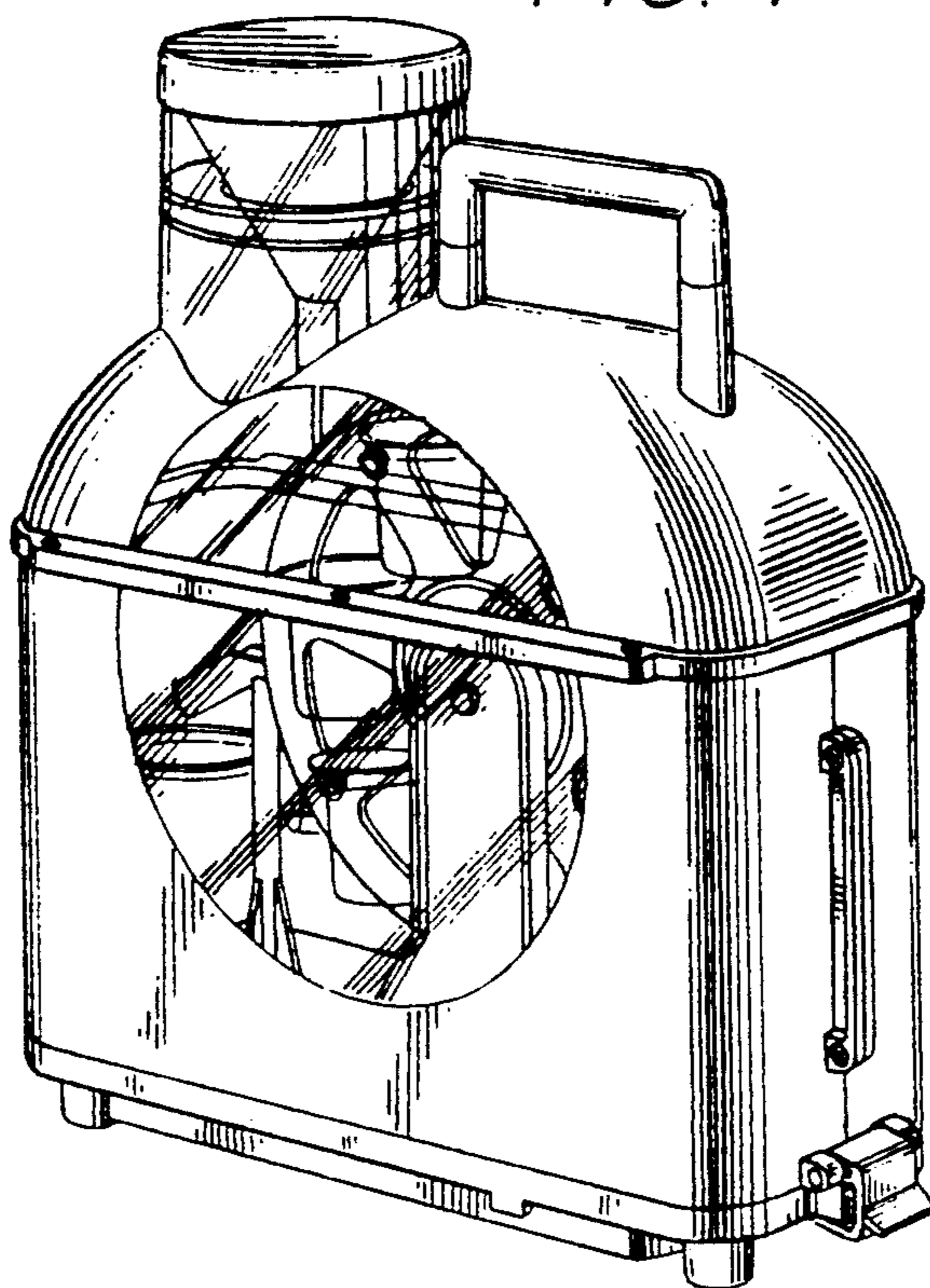


FIG. 2

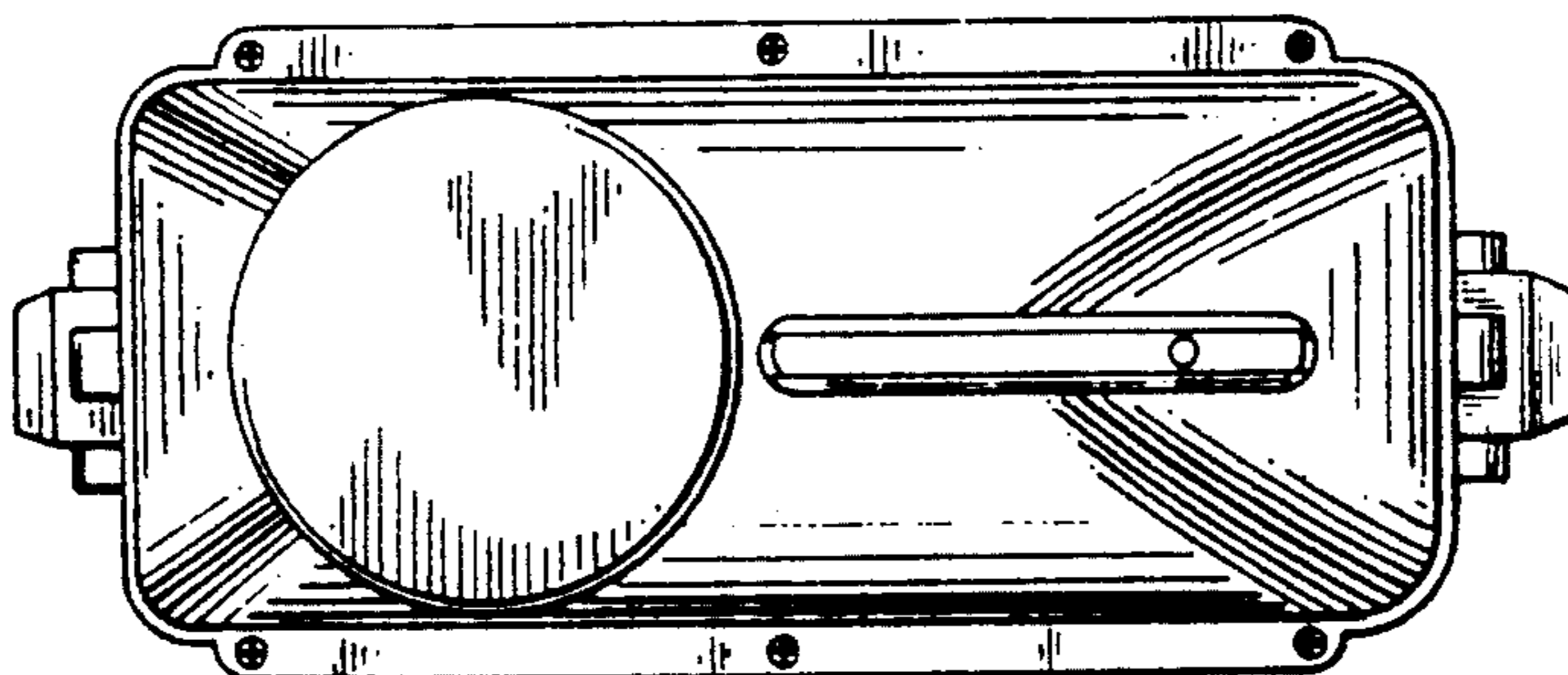


FIG. 3

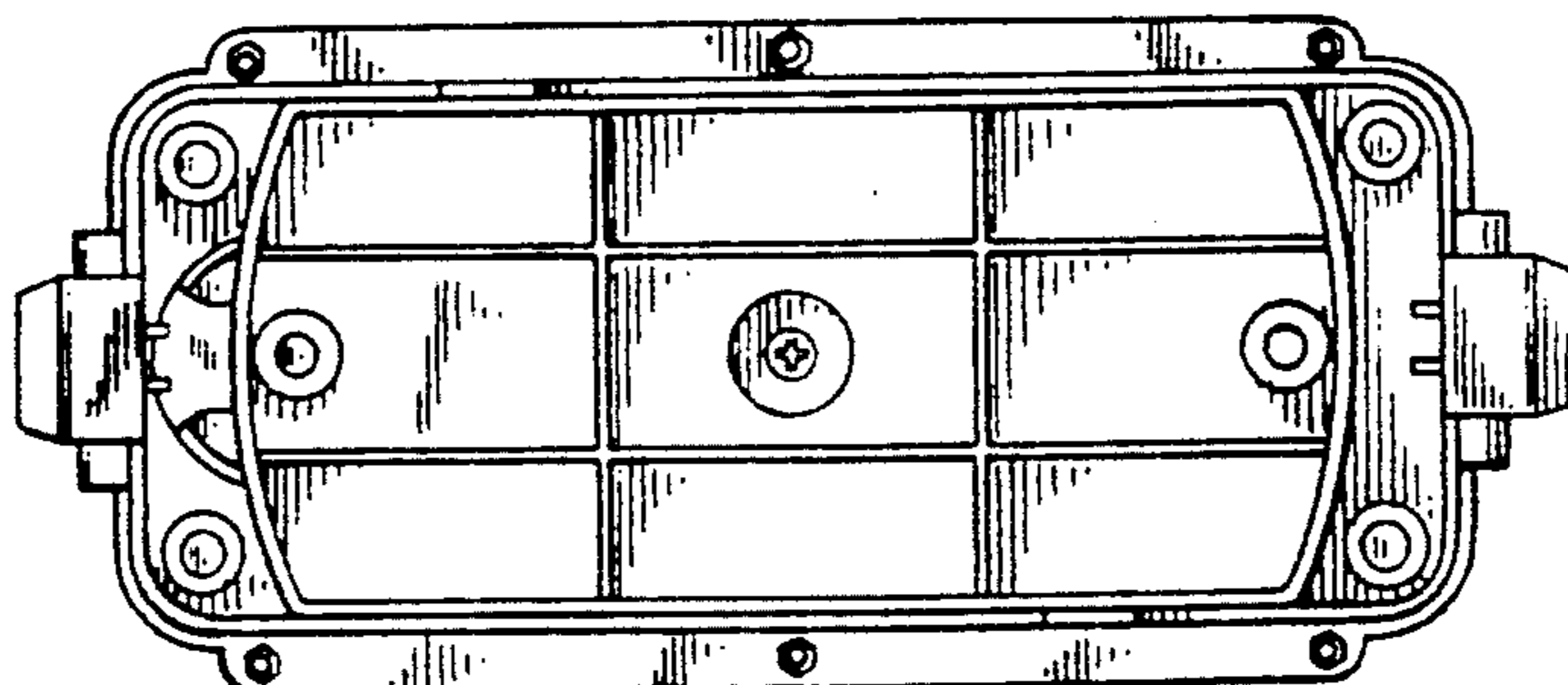


FIG. 6

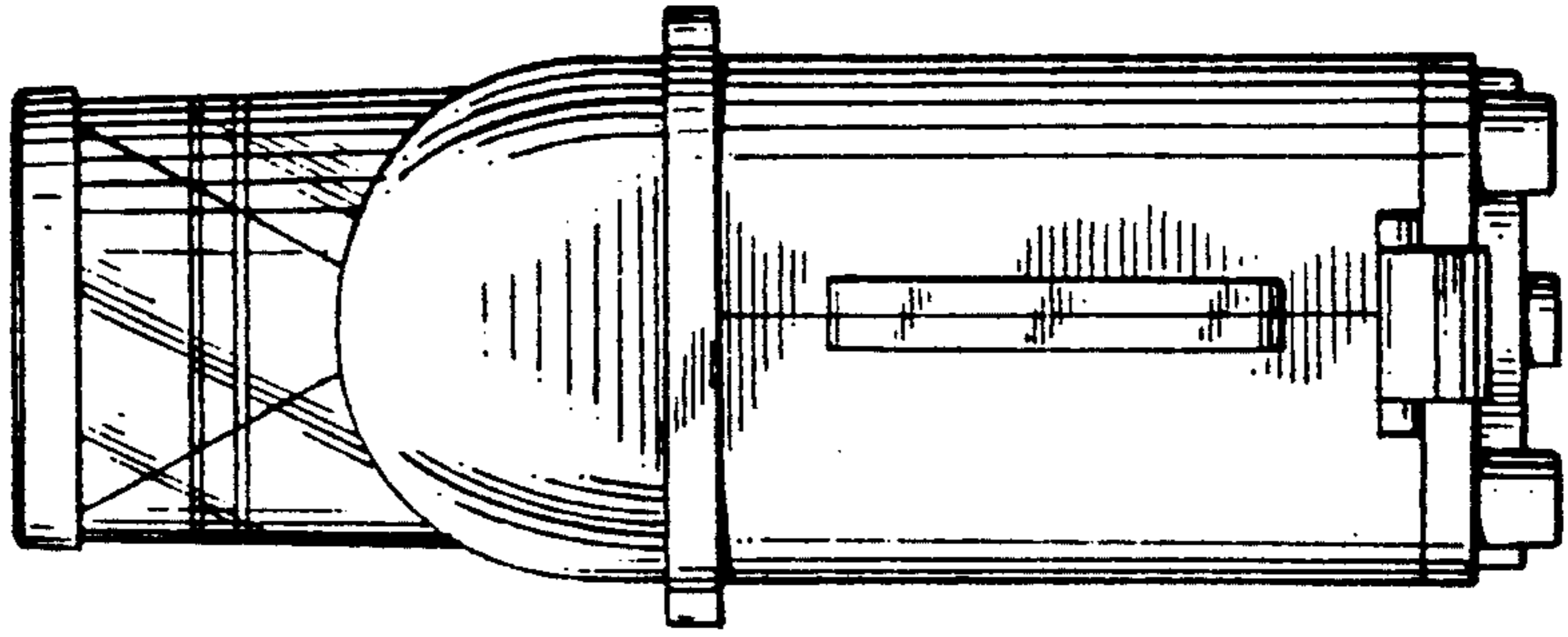


FIG. 5

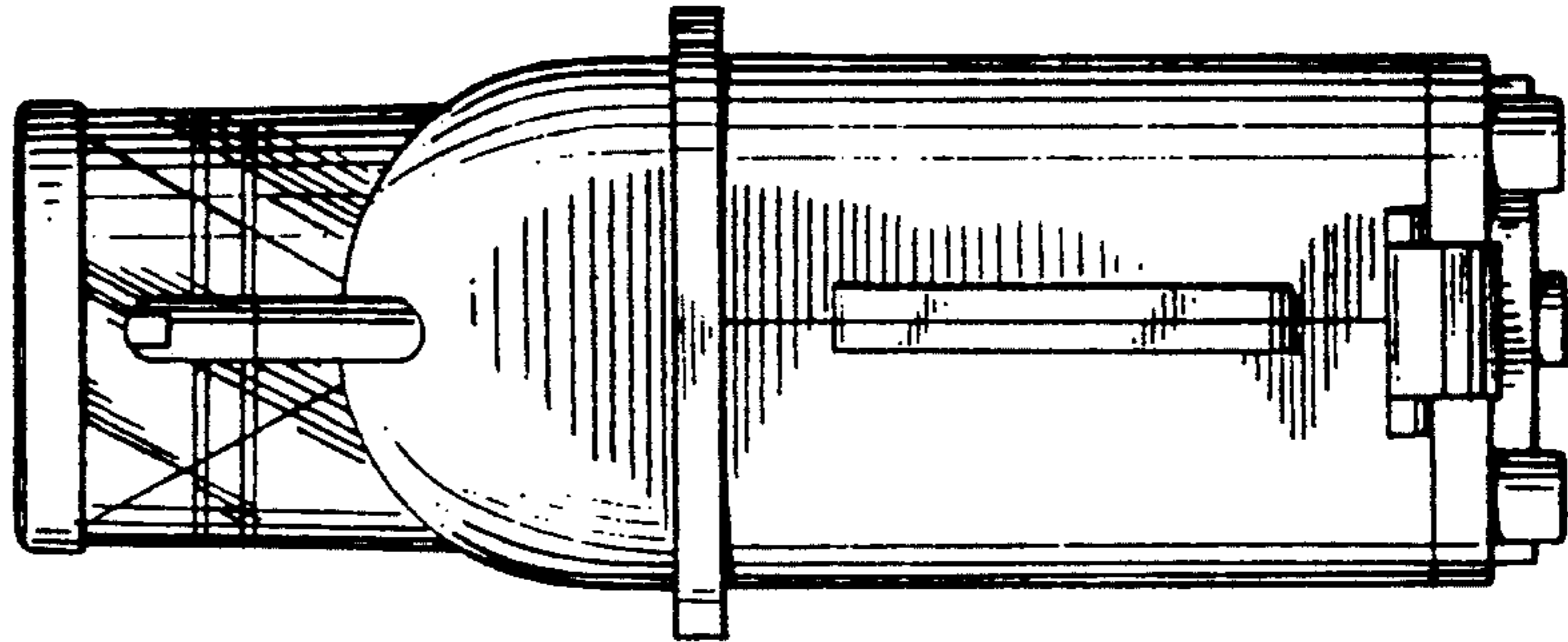


FIG. 4

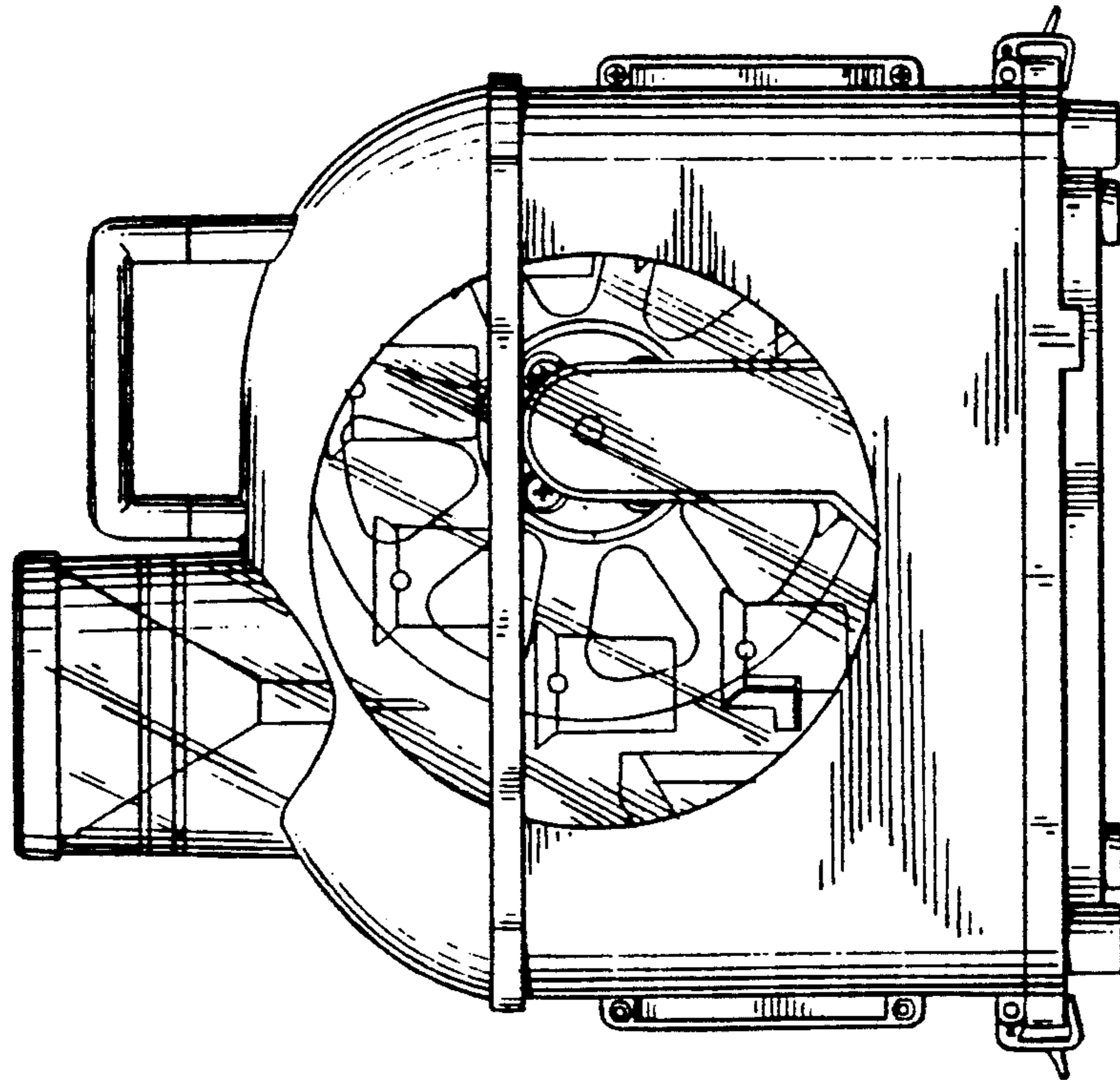


FIG. 8

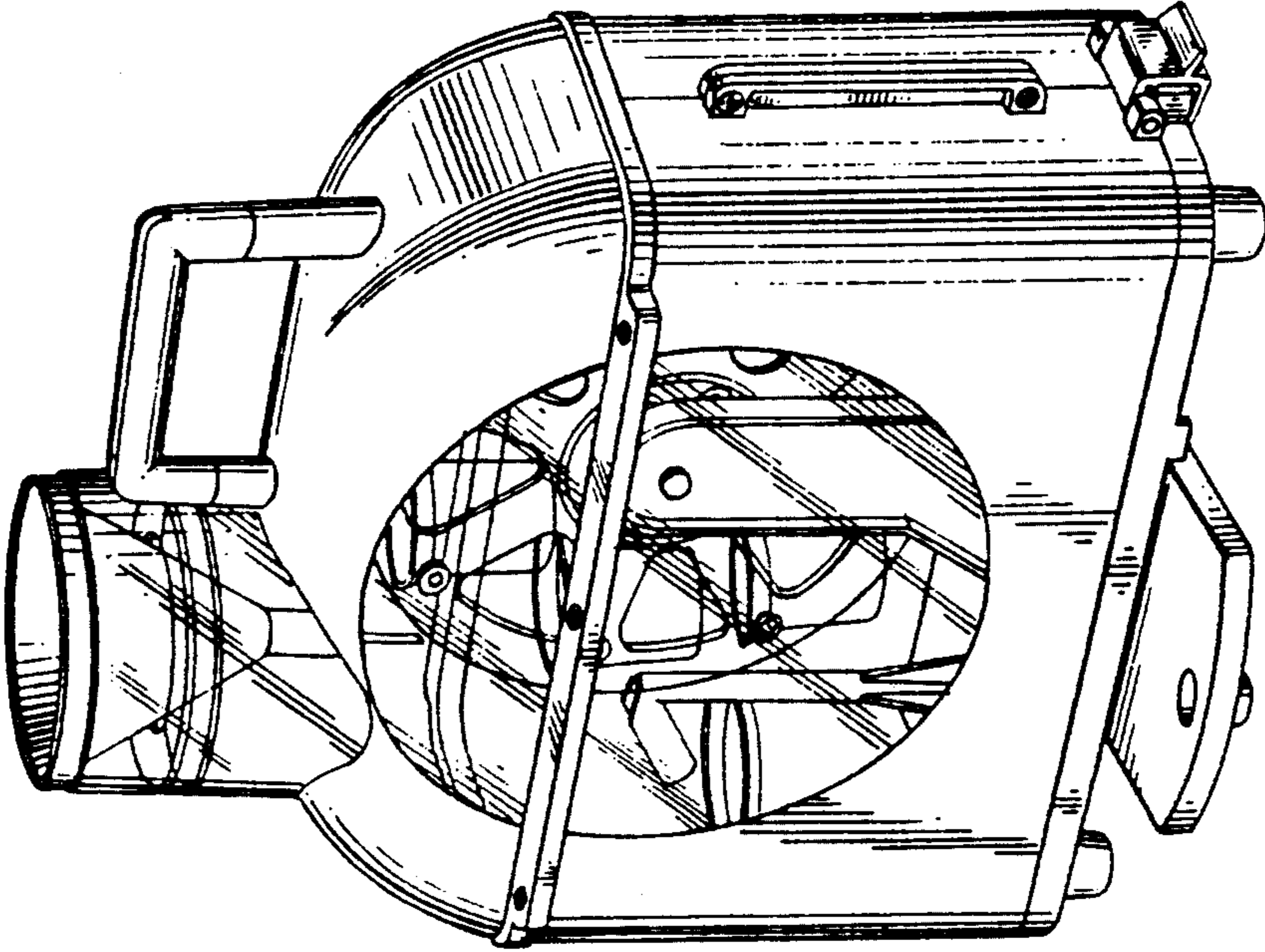


FIG. 7

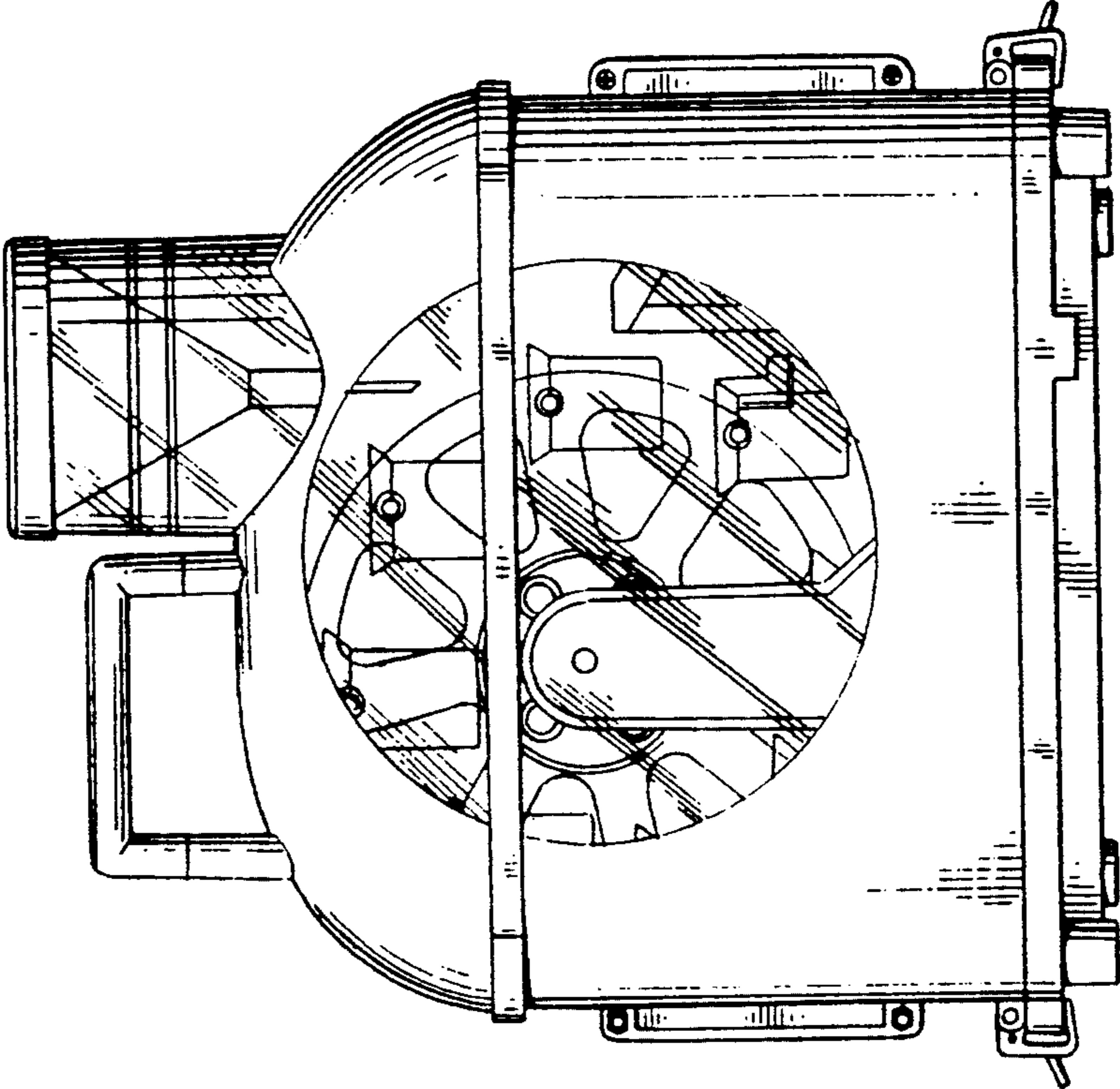


FIG. 9

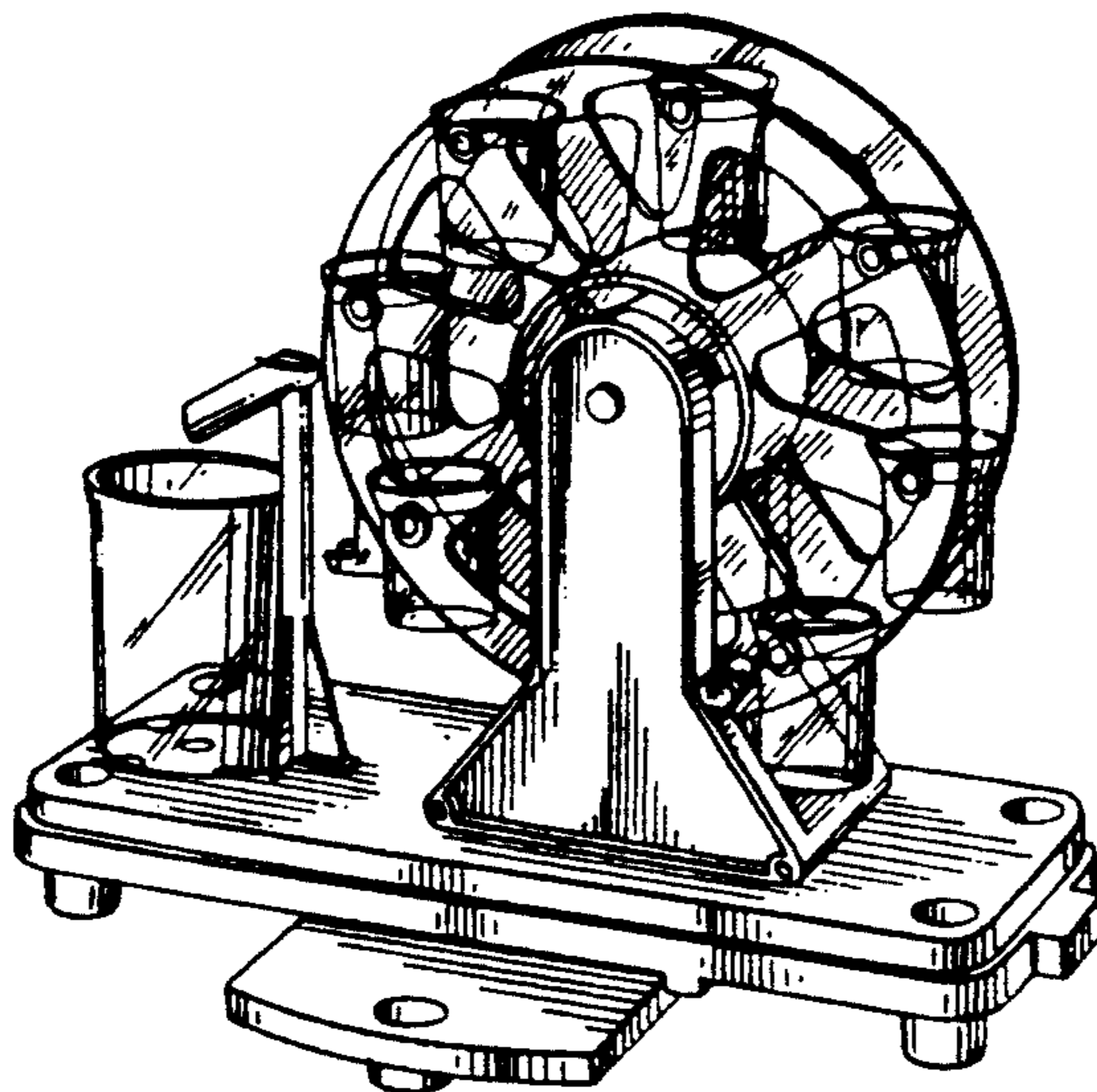
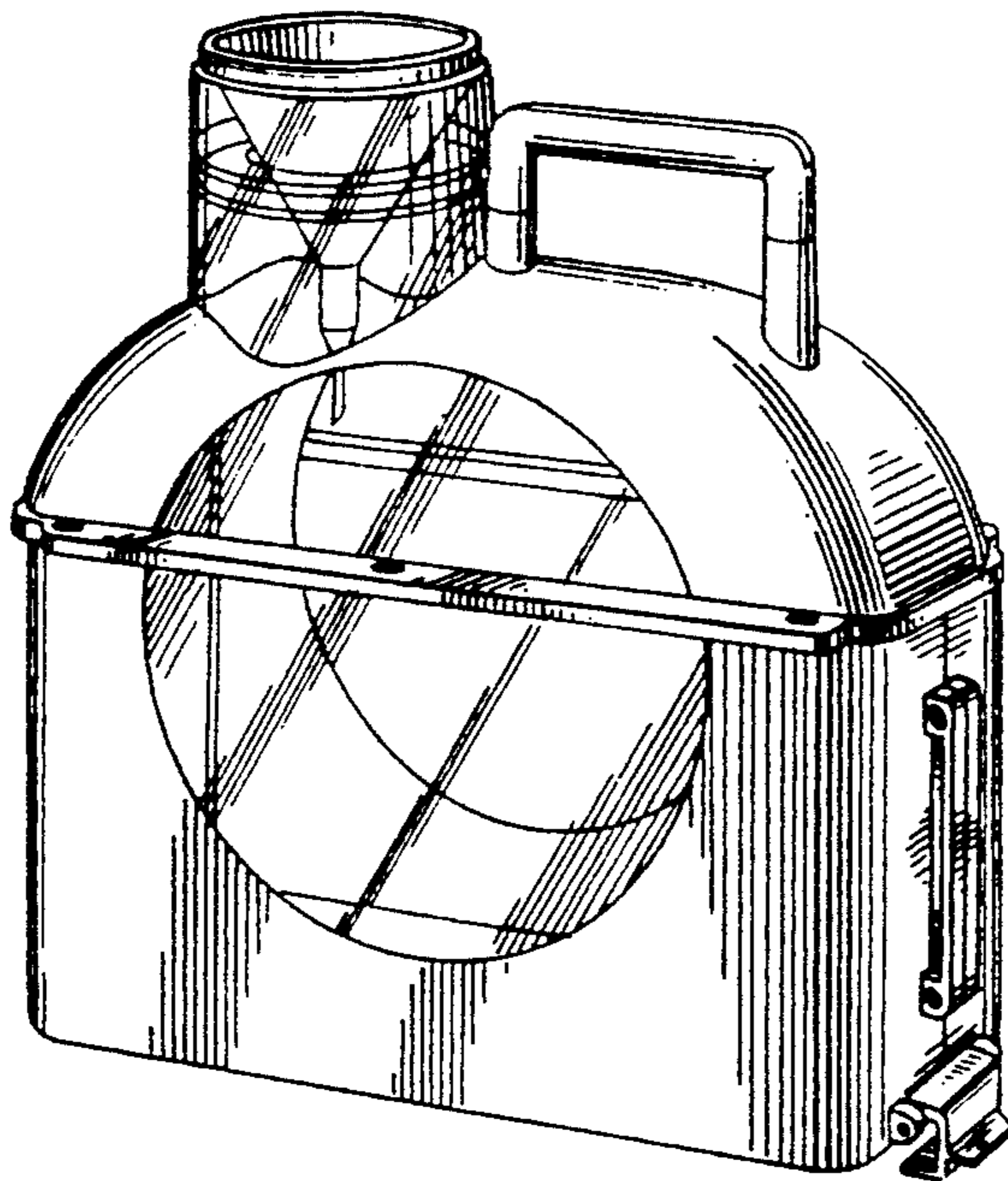
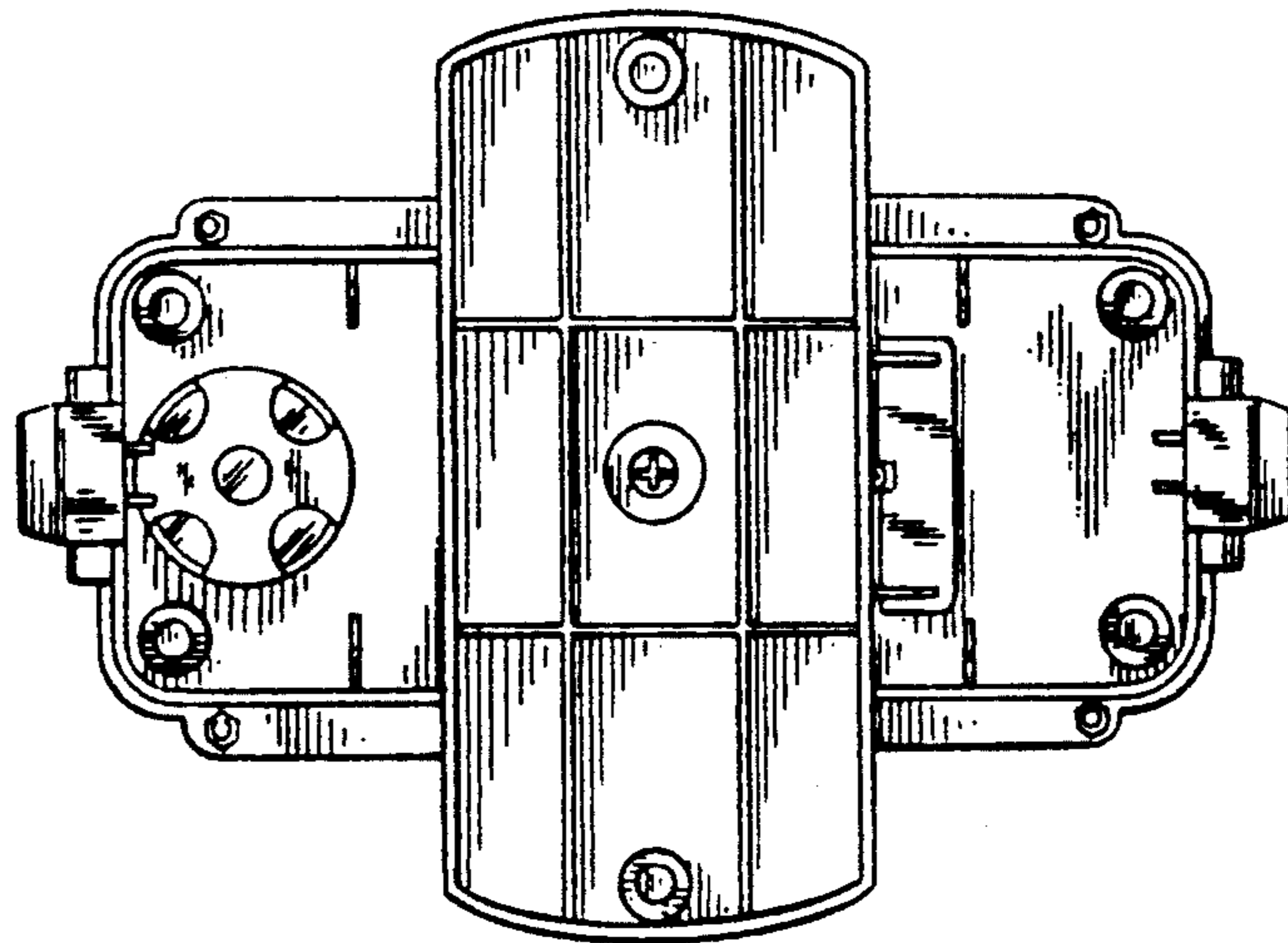


FIG. 10