



US00D346559S

United States Patent [19]

[11] Patent Number: **Des. 346,559**

Nowak

[45] Date of Patent: **** May 3, 1994**

[54] THERMOMETER

2163885A 8/1985 United Kingdom .

[75] Inventor: **Ralph M. Nowak**, Marblehead, Mass.

Primary Examiner—Alan P. Douglas

[73] Assignee: **Kiddie Products, Inc.**, Avon, Mass.

Assistant Examiner—A. D. Davis

[**] Term: **14 Years**

Attorney, Agent, or Firm—Fish & Richardson

[21] Appl. No.: **909,816**

[57] **CLAIM**

The ornamental design for a thermometer, as shown and described.

[22] Filed: **Jul. 7, 1992**

[52] U.S. Cl. **D10/57**

[58] Field of Search **374/170, 208; D10/57**

DESCRIPTION

[56] **References Cited**

U.S. PATENT DOCUMENTS

D. 308,172 5/1990 Ishikawa et al. D10/57
4,718,776 1/1988 Gilland et al. 374/208 X

FOREIGN PATENT DOCUMENTS

1021815 8/1984 United Kingdom .

FIG. 1 is a perspective view of a thermometer showing my new design;

FIG. 2 is a front elevation view thereof;

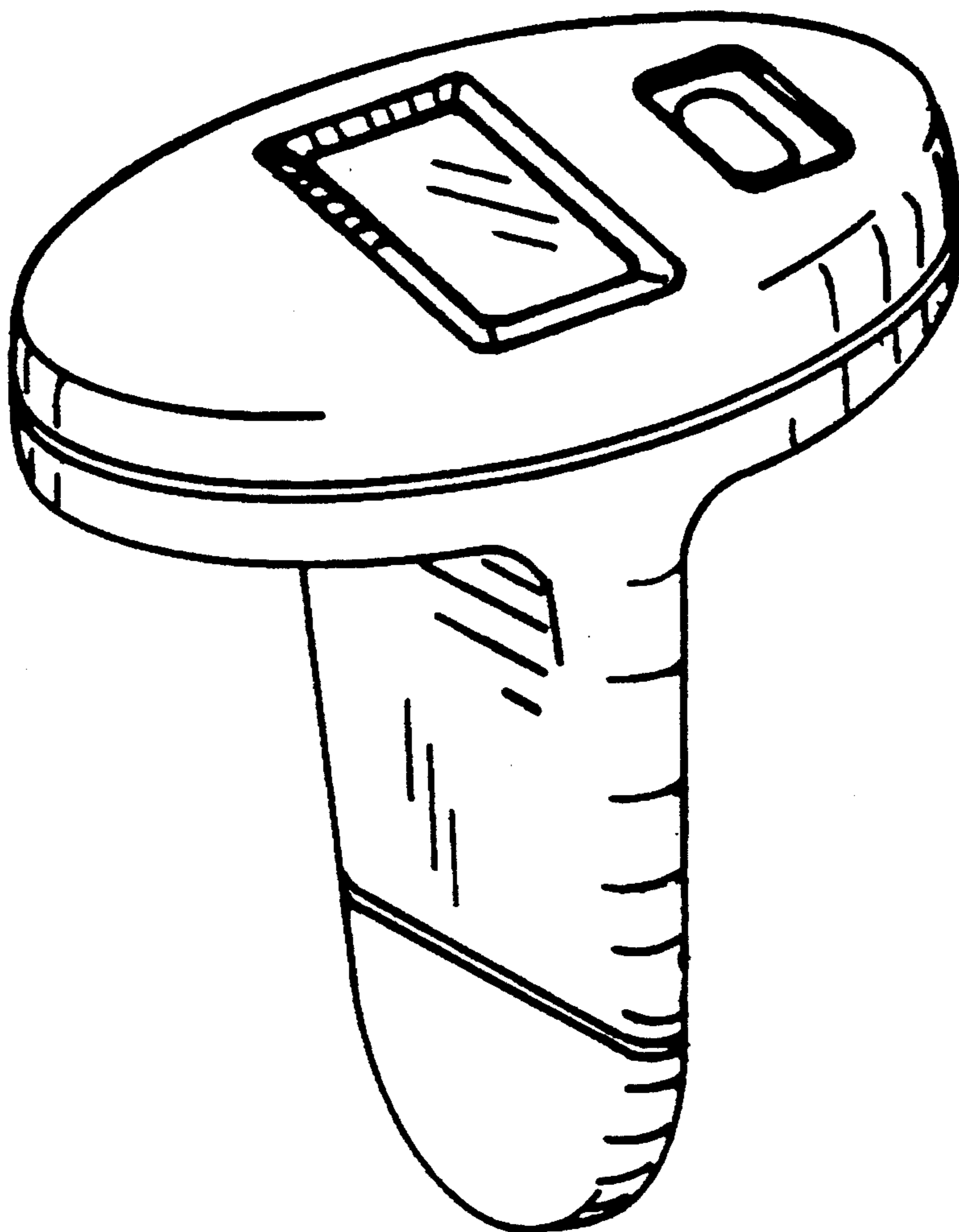
FIG. 3 is a rear elevation view thereof;

FIG. 4 is a side elevation view thereof;

FIG. 5 is a side elevation view thereof, opposite that shown in FIG. 4;

FIG. 6 is a top plan view thereof; and,

FIG. 7 is a bottom plan view thereof.



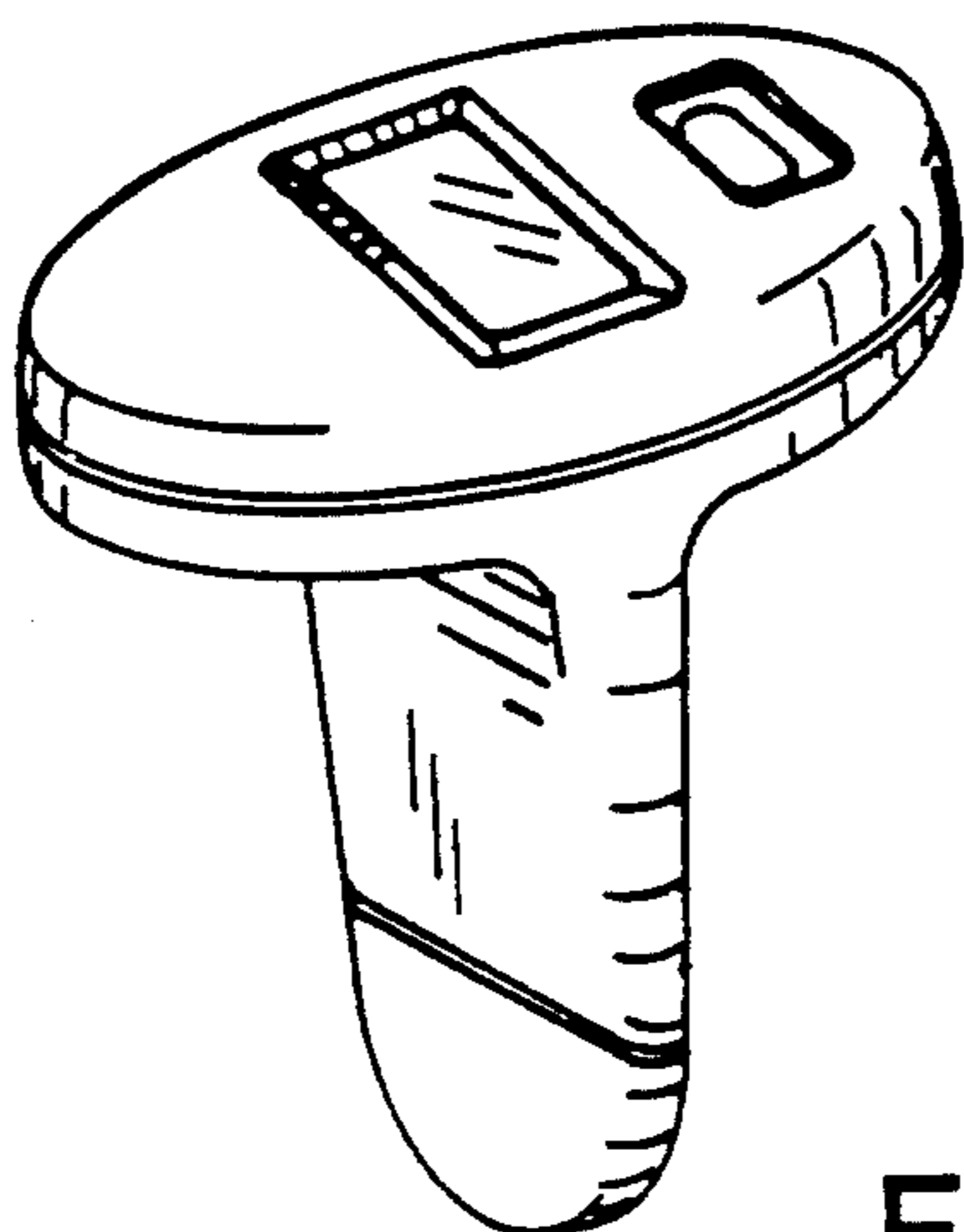


FIG. 1

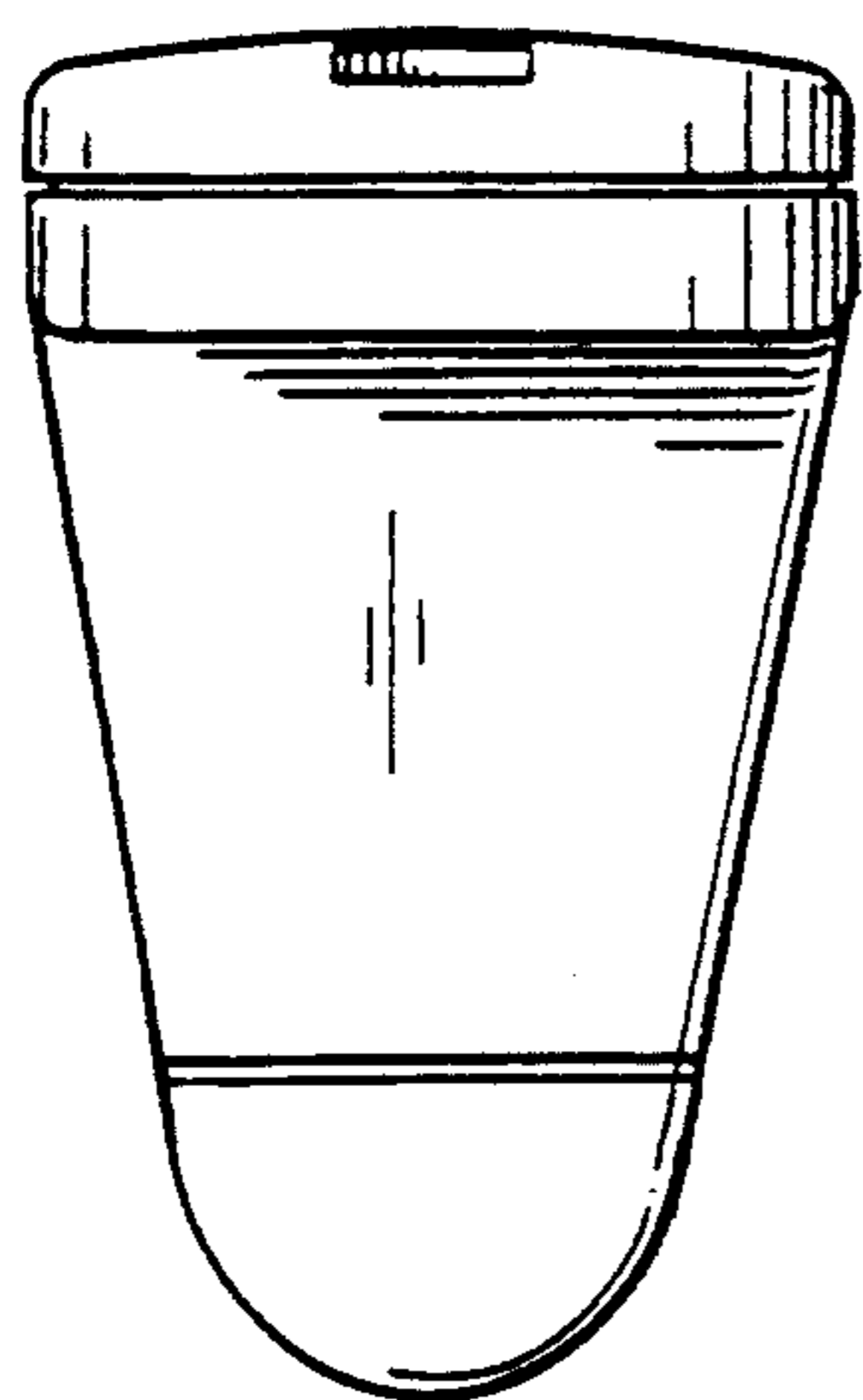


FIG. 2

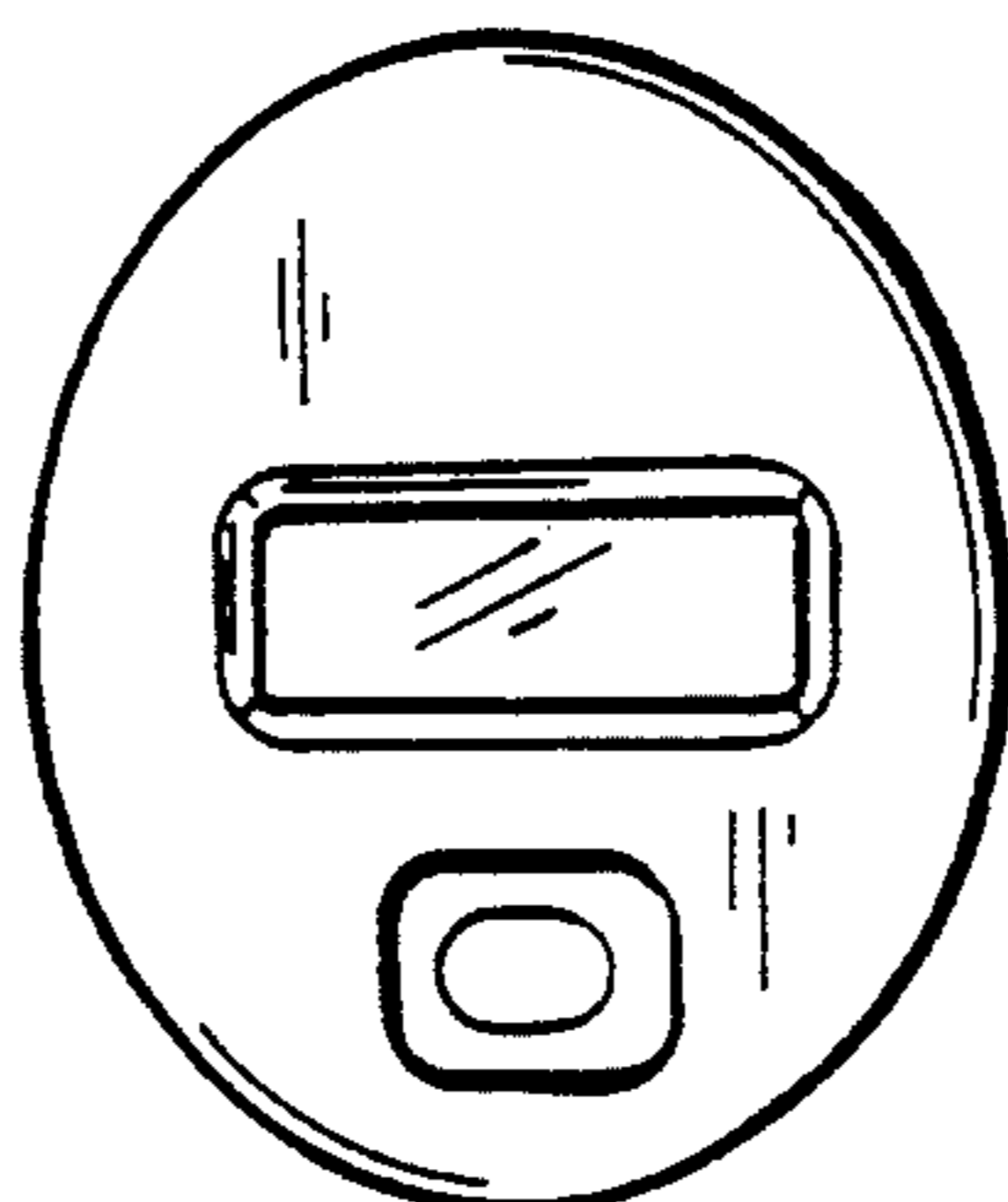


FIG. 6

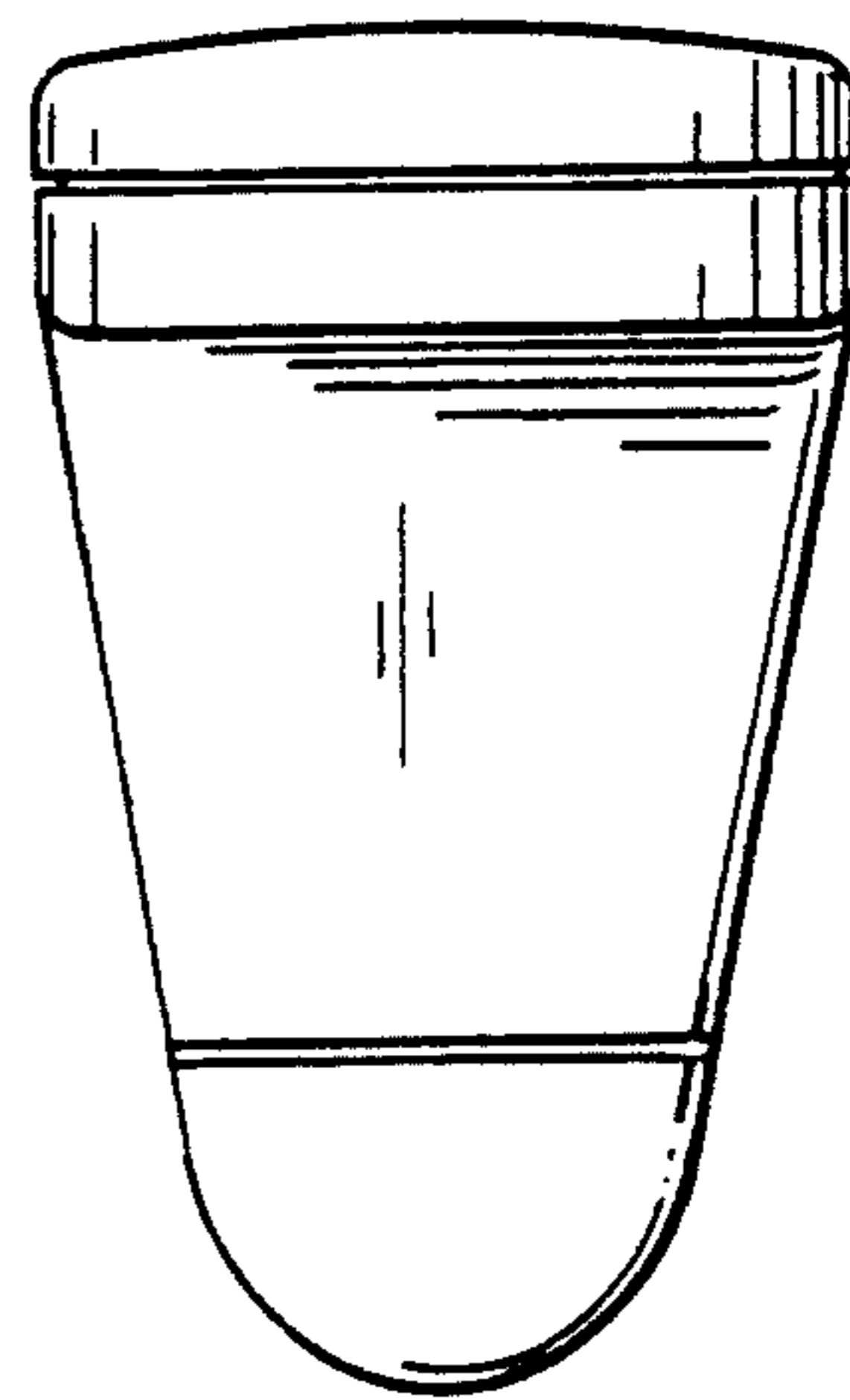


FIG. 3

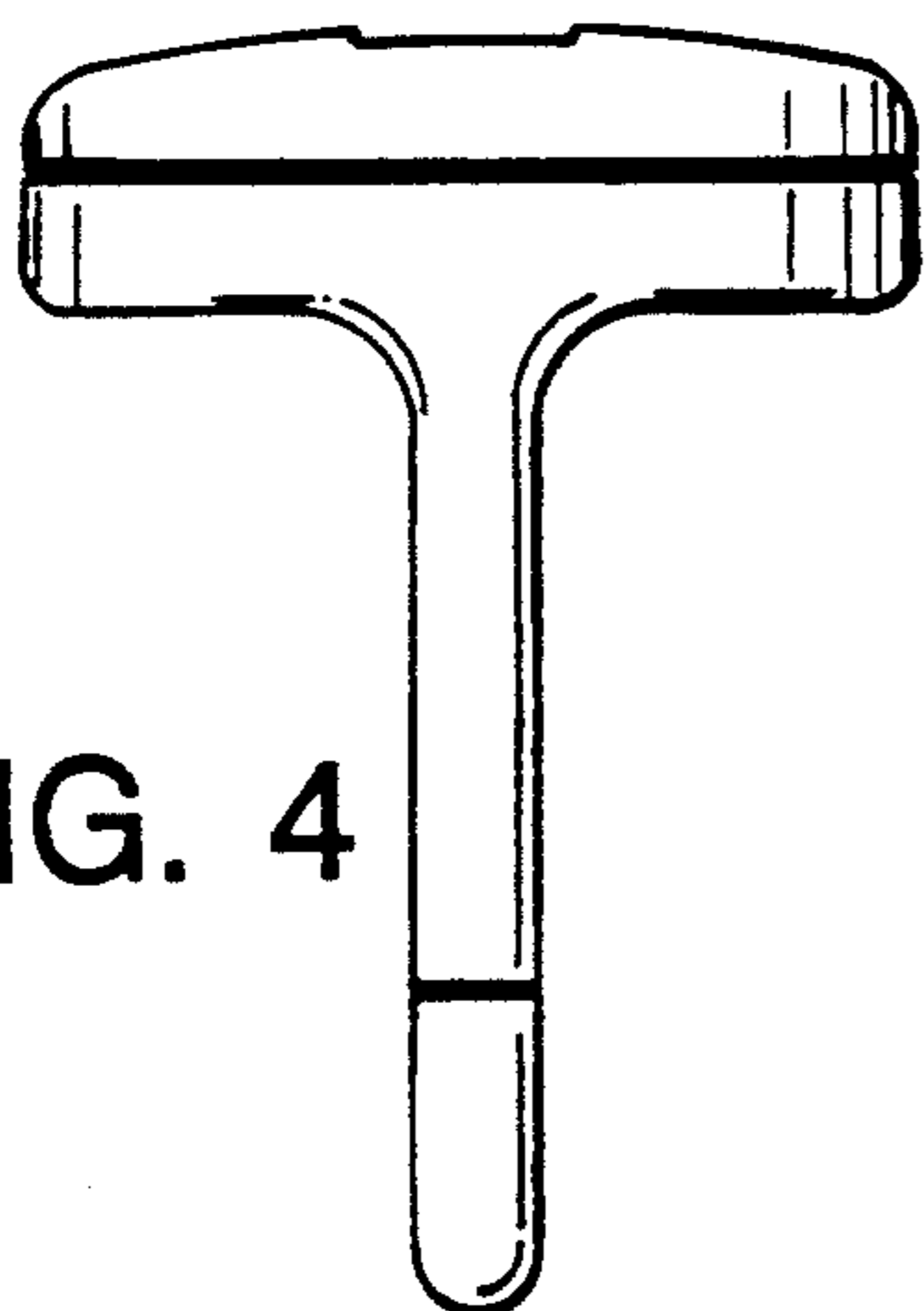


FIG. 4

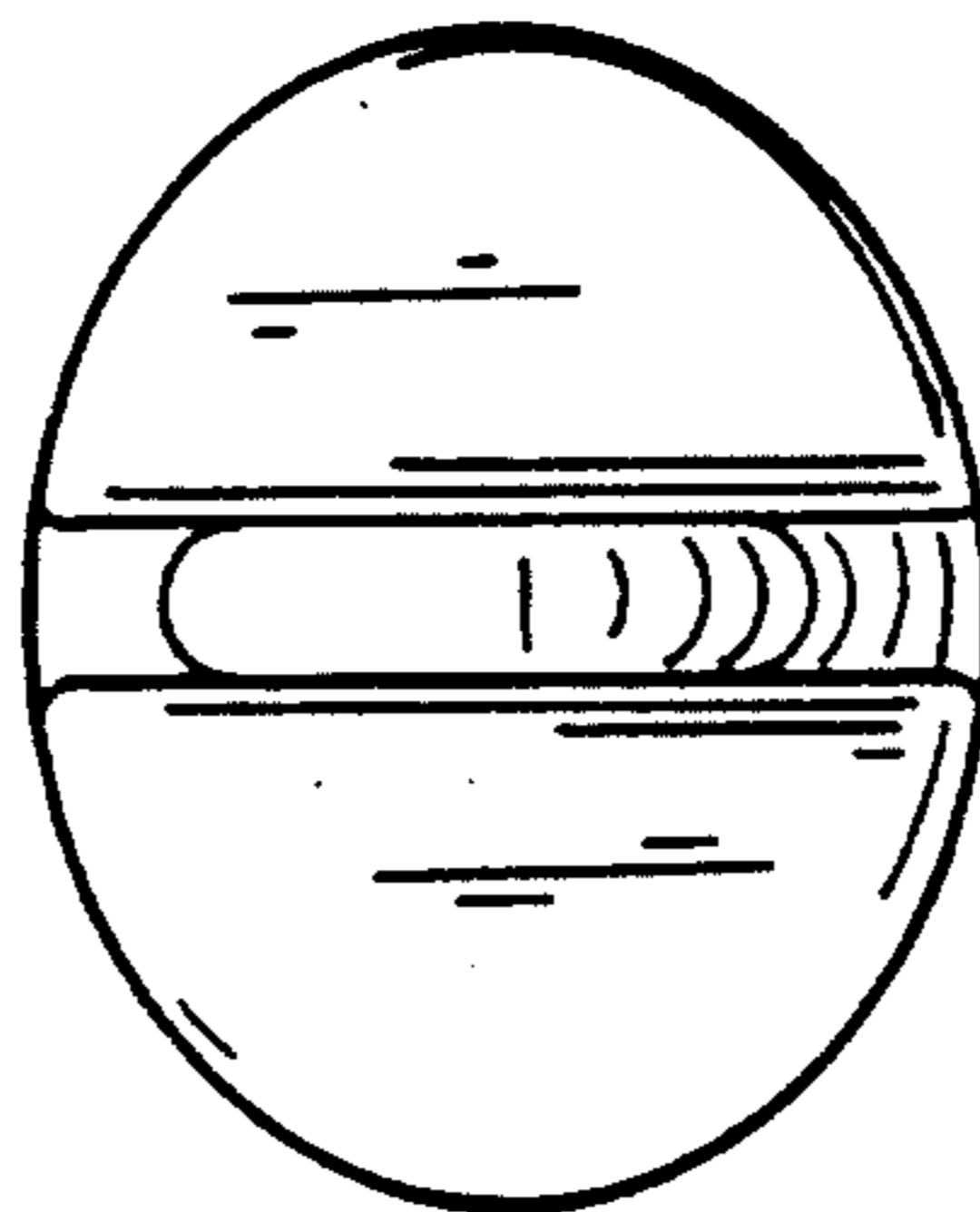


FIG. 7

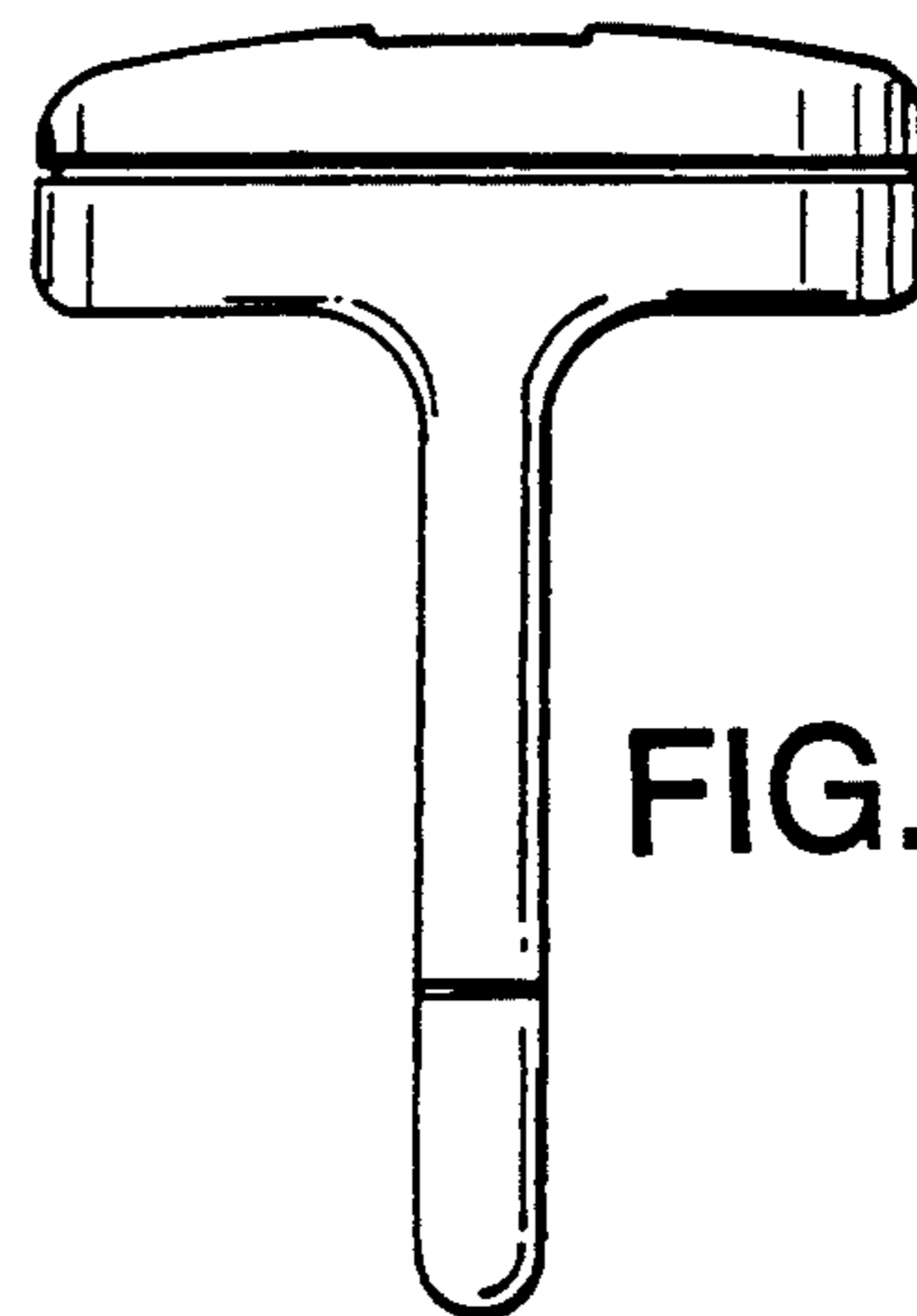


FIG. 5