



US00D346558S

United States Patent [19]

[11] Patent Number: **Des. 346,558**

Hiomori

[45] Date of Patent: **** May 3, 1994**

[54] **COMBINED PORTABLE WATCH AND REEL**

D. 336,435 6/1993 Yusa D10/2
D. 337,952 8/1993 Wolff D10/15 X

[75] Inventor: **Junji Hiomori, Tokyo, Japan**

[73] Assignee: **Hiomori Inc., Tokyo, Japan**

[**] Term: **14 Years**

[21] Appl. No.: **805,813**

[22] Filed: **Dec. 6, 1991**

[30] **Foreign Application Priority Data**

Oct. 2, 1991 [JP] Japan 3-29767

[52] U.S. Cl. **D10/31; D10/38;**
D10/30; D10/40

[58] Field of Search 368/82-84,
368/10, 239-242, 276, 277, 280-282, 285, 318,
322, 323; D10/1-29, 30-39, 40, 122-132

[56] **References Cited**

U.S. PATENT DOCUMENTS

D. 256,560 8/1980 van Eyben D10/37 X
D. 267,785 2/1983 Hewer D10/30
D. 270,714 9/1983 Sang D10/30 X
D. 292,677 11/1987 Jordi D10/31
D. 313,759 1/1991 Nomizu D10/31
D. 320,945 10/1991 Hiles D10/31
D. 323,469 1/1992 Saito D10/2 X
D. 324,827 3/1992 Morishima D10/30
D. 325,876 5/1992 Klepper D10/39 X

OTHER PUBLICATIONS

Hong Kong Enterprise, Jun. 1990, p. 111, see circled watch/clip upper left.

Hong Kong Enterprise, Nov. 1987, p. 147, see circled watch/key chain left center.

Primary Examiner—Nelson C. Holtje
Assistant Examiner—Martie Thompson
Attorney, Agent, or Firm—Dilworth & Barrese

[57] **CLAIM**

The ornamental design for a combined portable watch and reel, as shown and described.

DESCRIPTION

FIG. 1 is a perspective view of a combined portable watch and reel showing my new design; FIG. 2 is a front elevational view; FIG. 3 is a rear elevational view; FIG. 4 is a right side elevational view; FIG. 5 is a left side elevational view; FIG. 6 is a top plan view; FIG. 7 is a bottom plan view; and, FIG. 8 is a perspective view thereof, with the watch member in an extended position. The typical digital display has been shown in an activated condition in FIGS. 1 and 8.

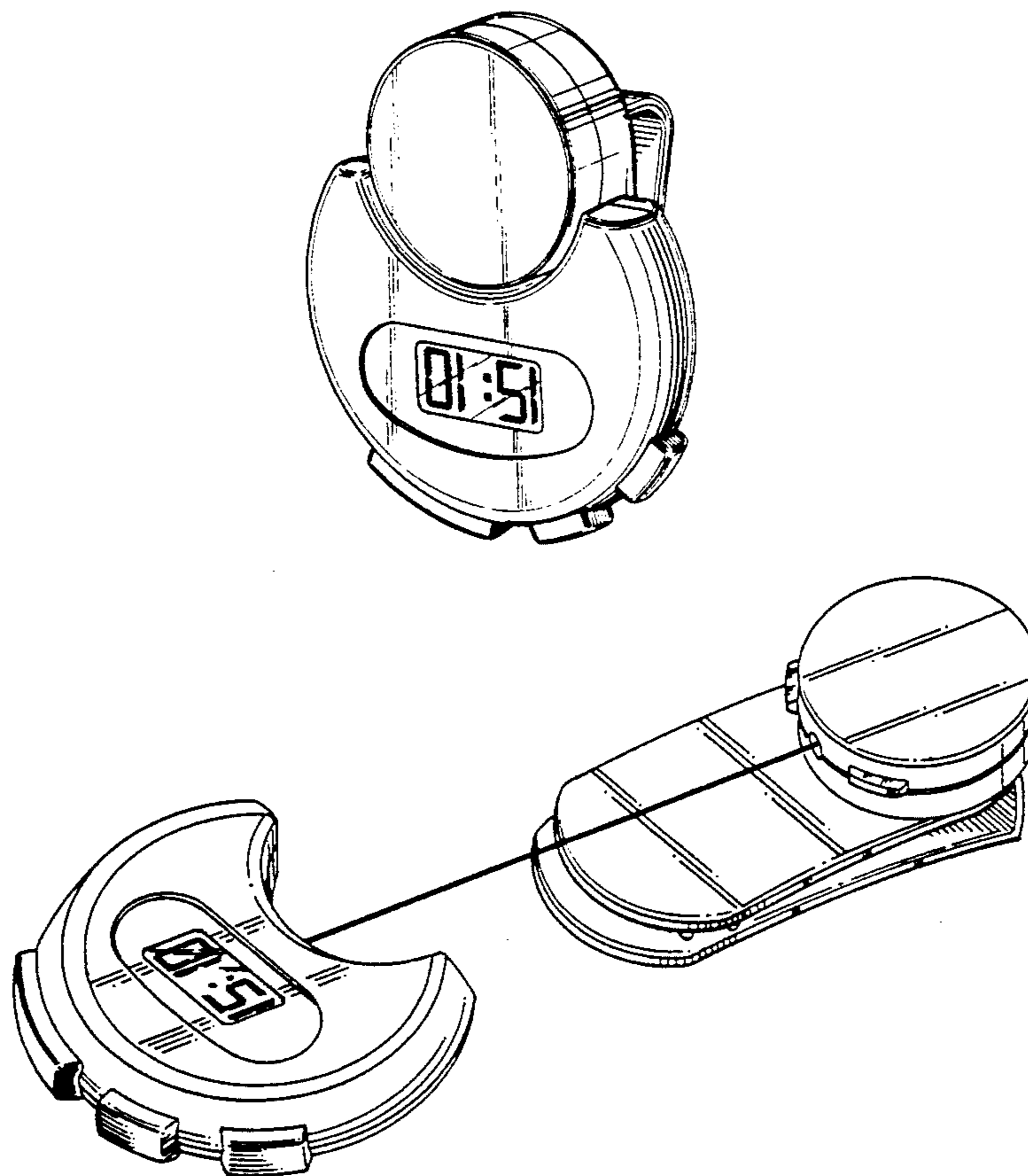


FIG. 1

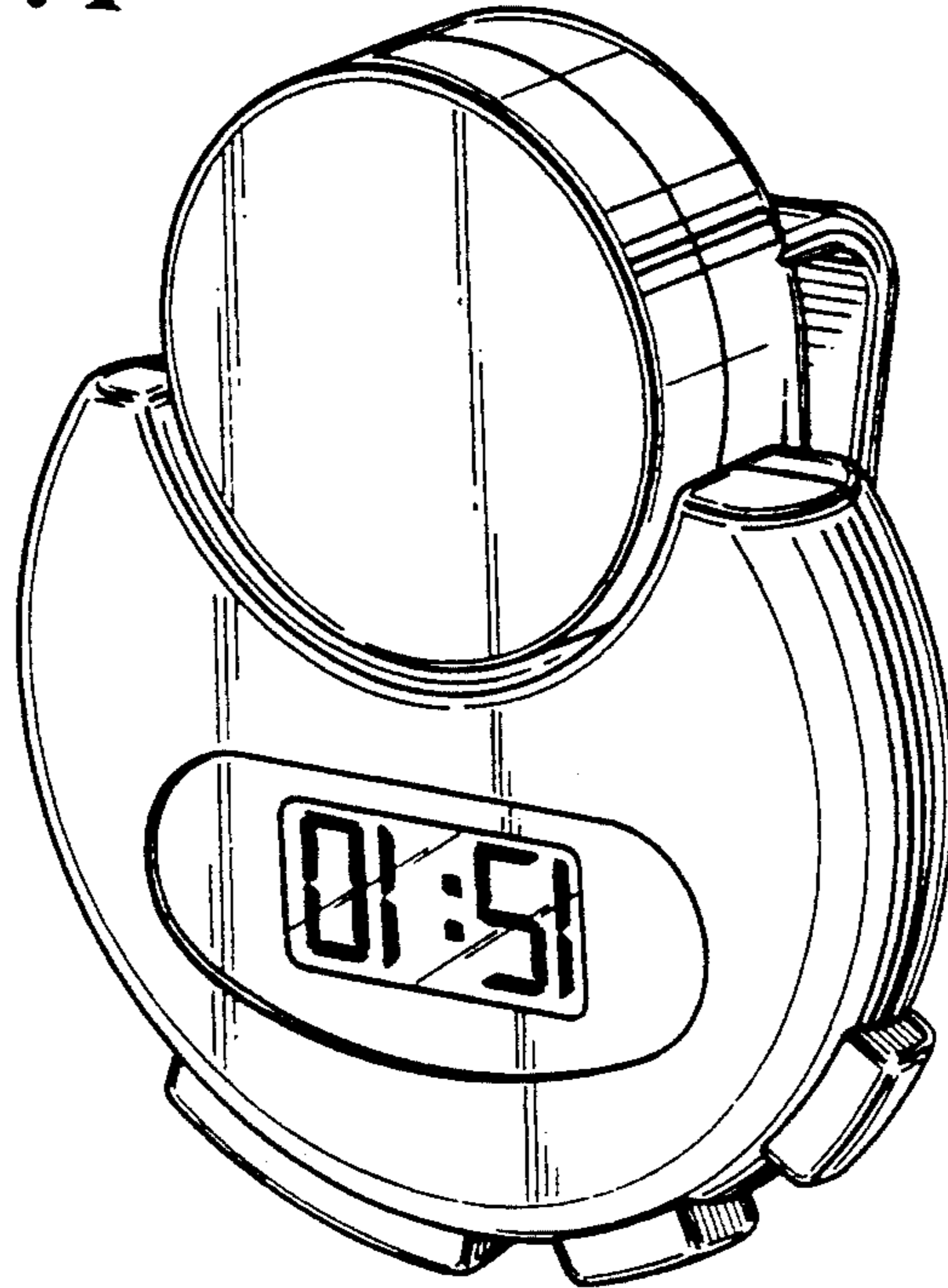


FIG. 2

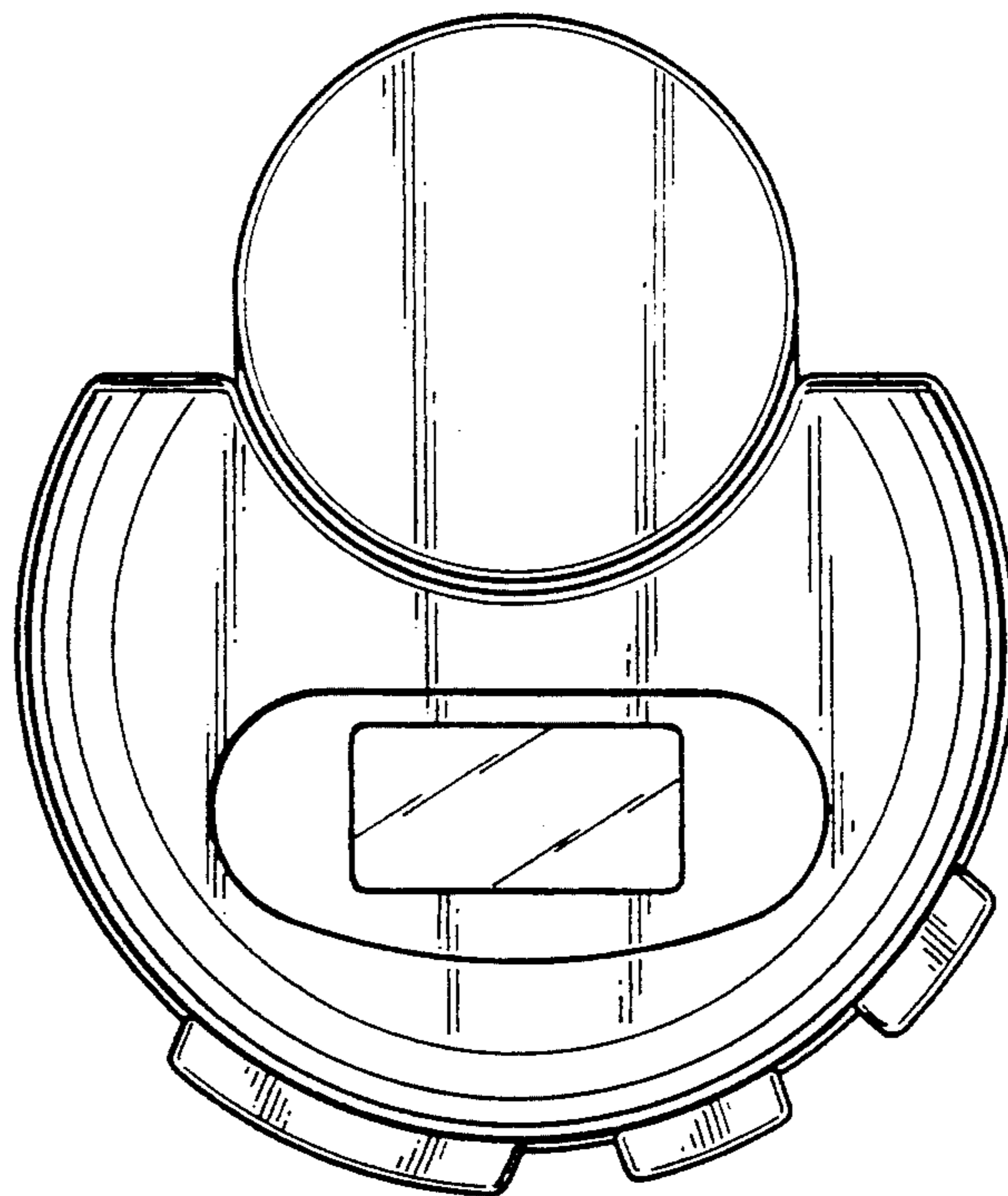


FIG.3

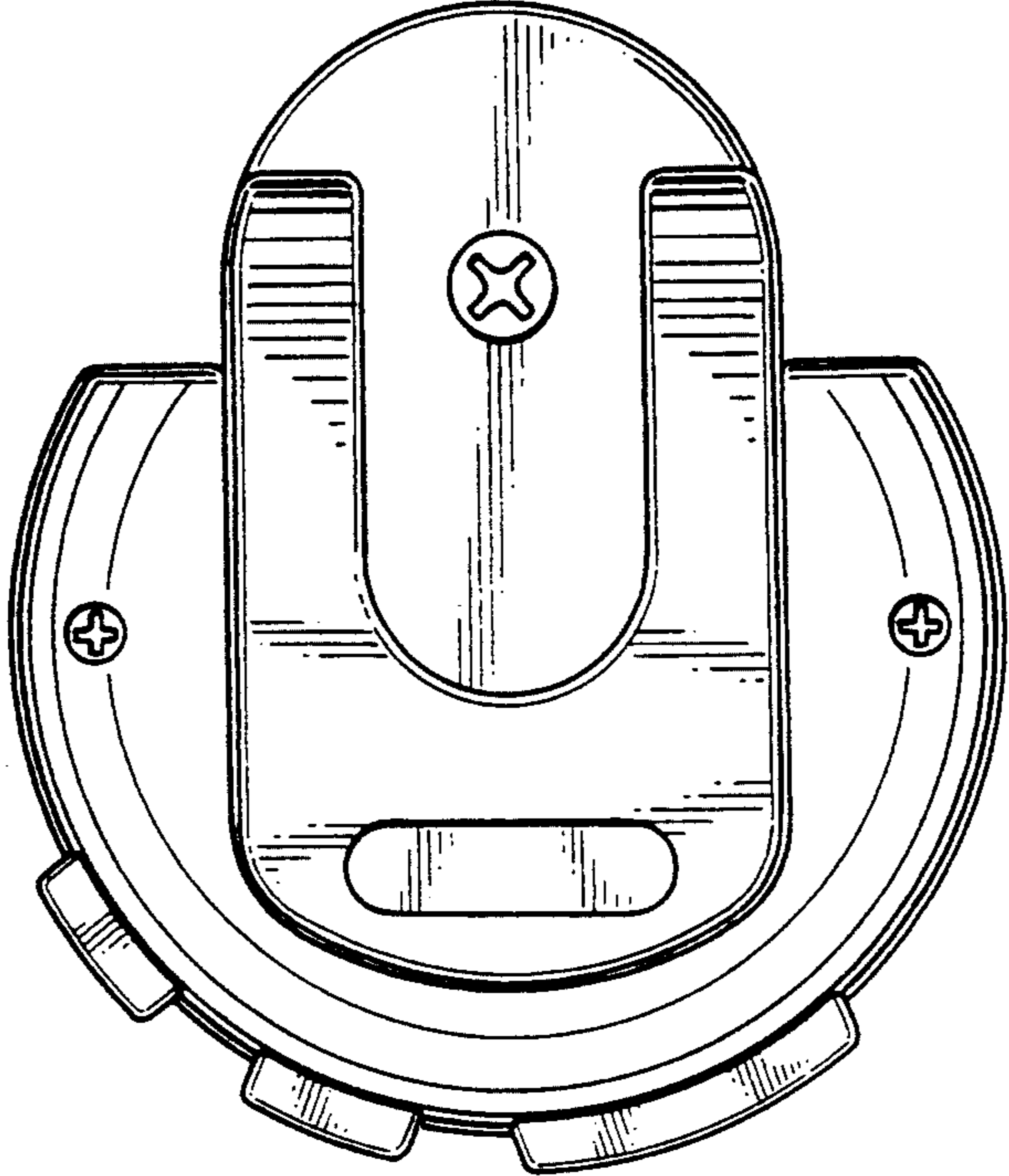


FIG.4

FIG.5

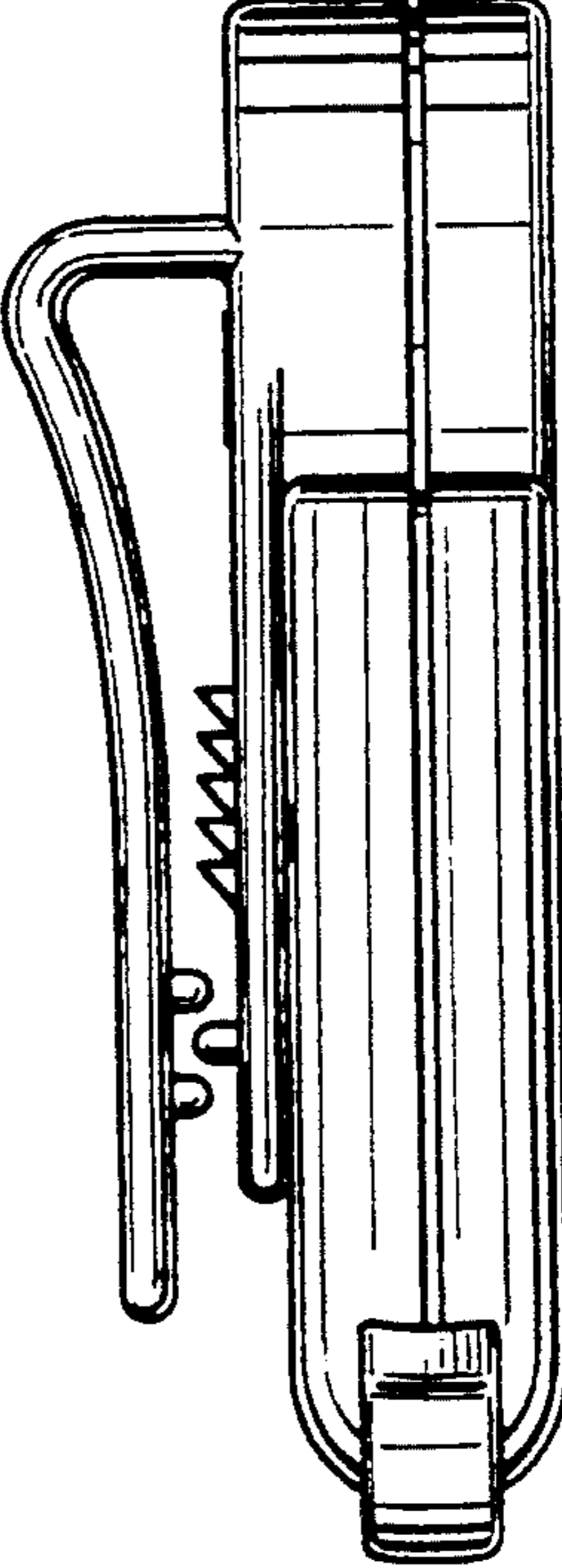
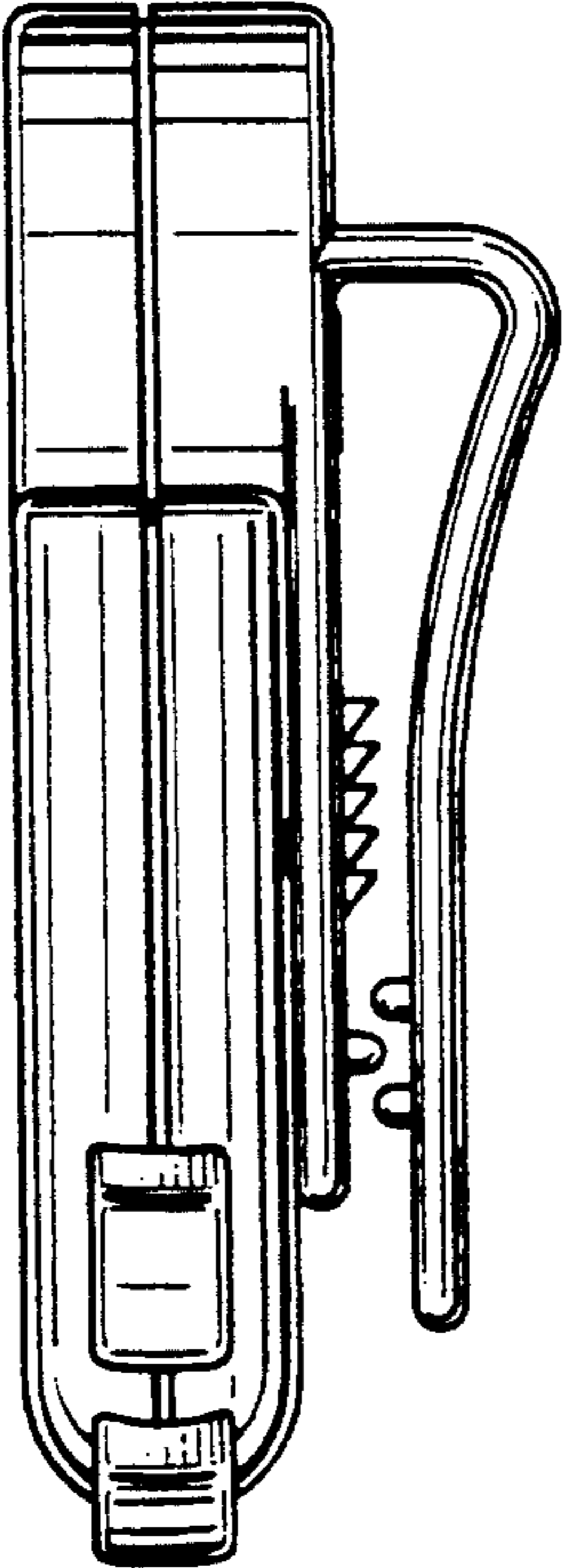


FIG.6

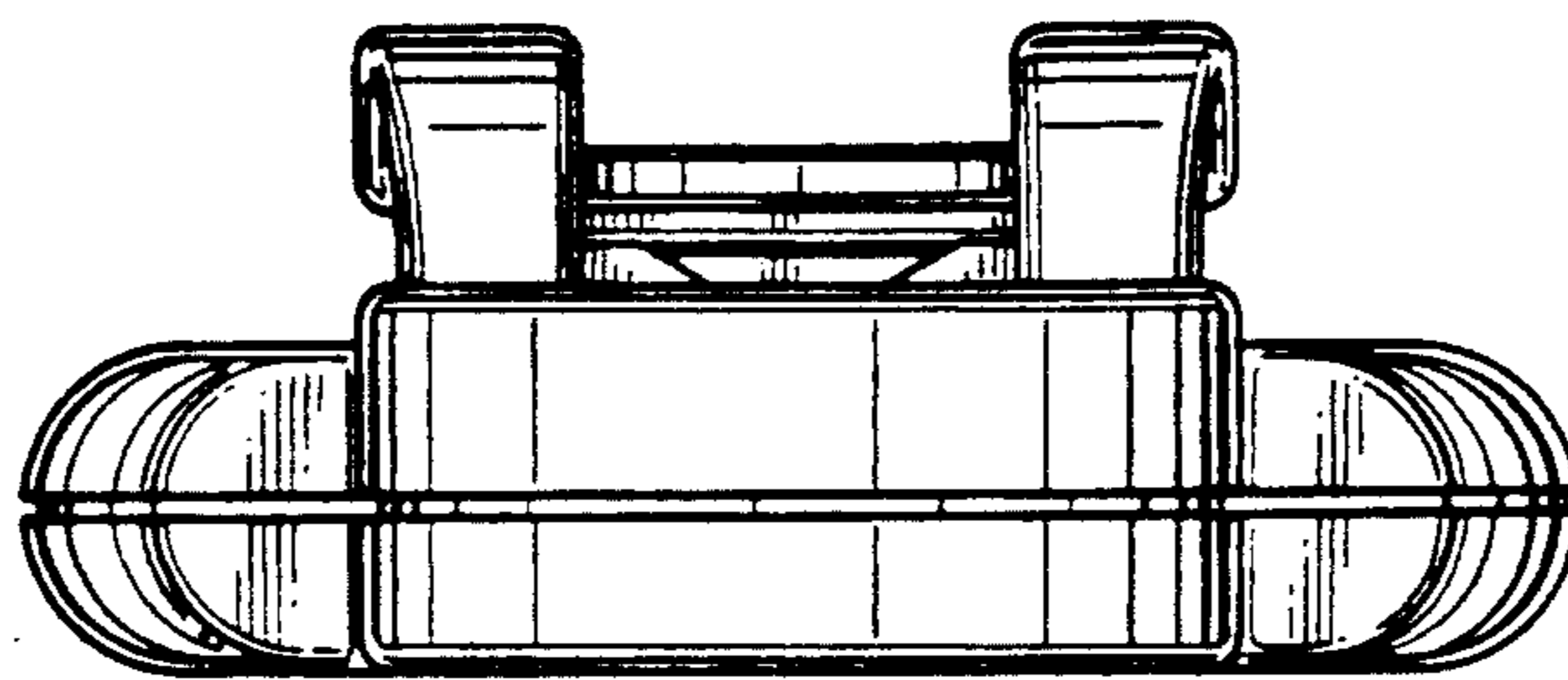
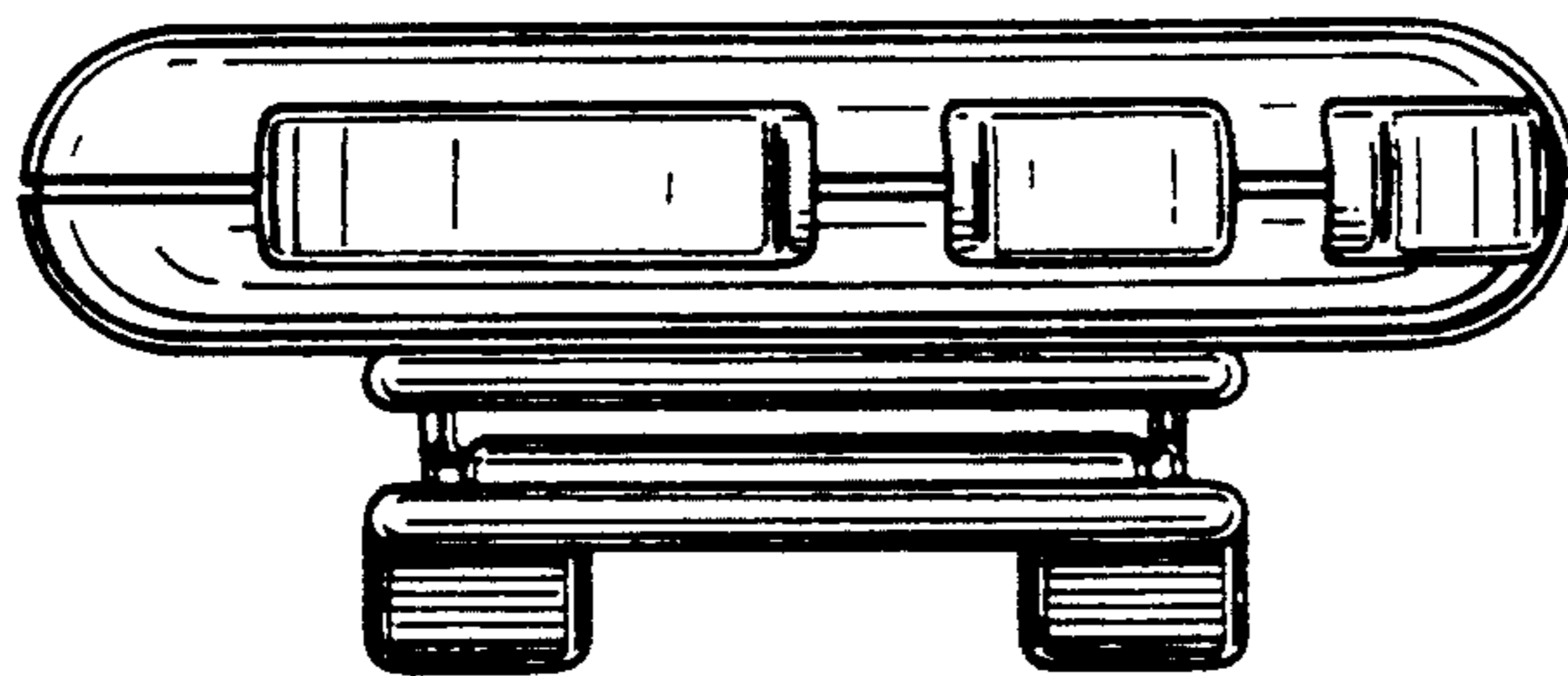


FIG.7



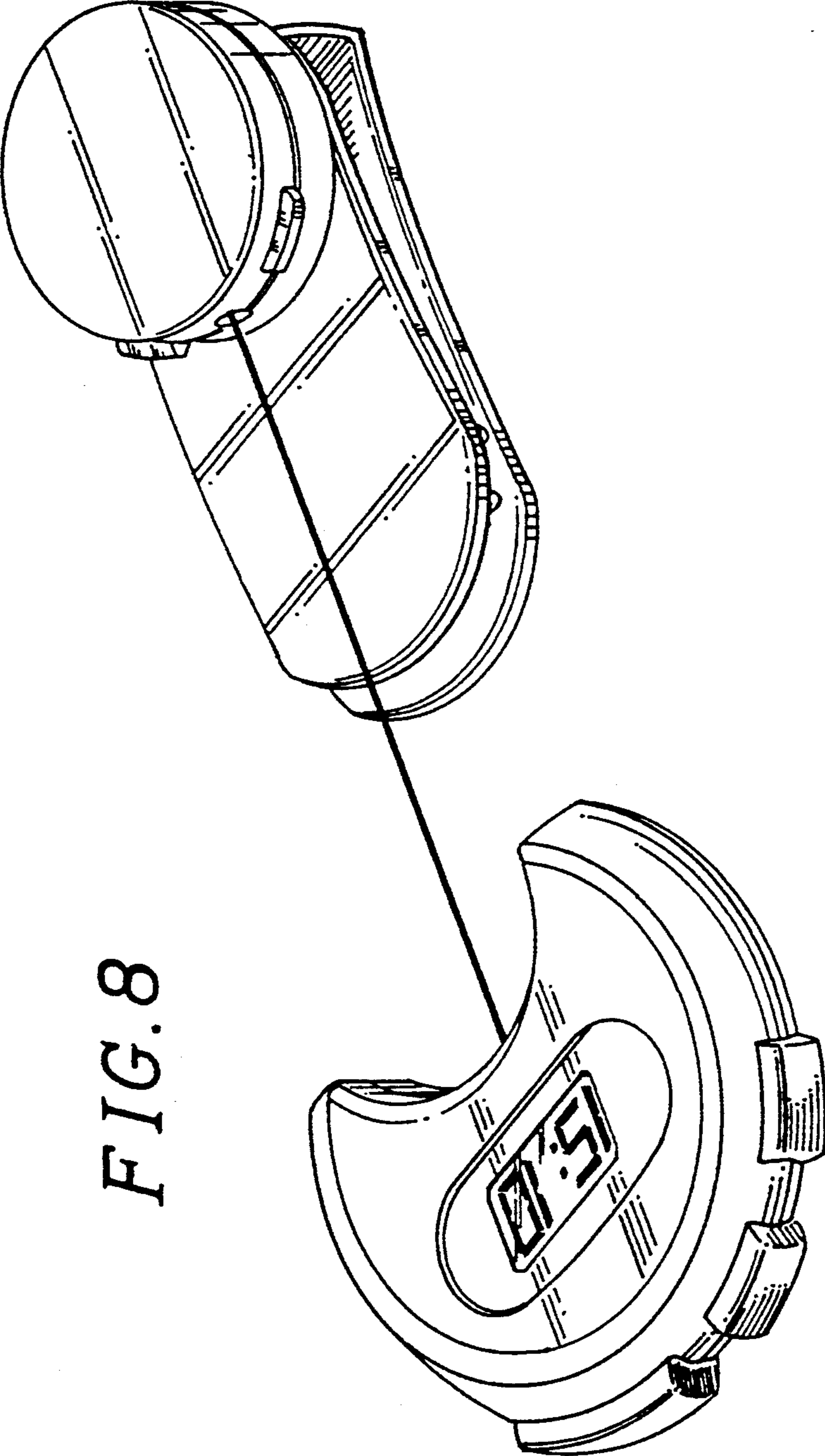


FIG. 8