



US00D346554S

United States Patent [19]

[11] Patent Number: **Des. 346,554**

Krupa

[45] Date of Patent: **** May 3, 1994**

[54] **STORAGE AND DISPLAY CONTAINER FOR FOOD**

4,867,303 9/1989 Beckerman et al. 206/45.32
4,874,083 10/1989 Antoni et al. 206/45.32

[75] Inventor: **Calvin S. Krupa, Plymouth, Minn.**

OTHER PUBLICATIONS

[73] Assignee: **Ultra Pac, Inc., Rogers, Minn.**

D & Cl, Feb. 1982, p. 62, round container.
Restaurants and Institutions, Apr. 1989, p. 194 top right of the page.
Modern Packaging, Nov. 1956, p. 167 as shown.

[**] Term: **14 Years**

Primary Examiner—Prabhakar Deshmukh
Attorney, Agent, or Firm—Haugen and Nikolai

[21] Appl. No.: **5,651**

[22] Filed: **Mar. 8, 1993**

[52] U.S. Cl. **D9/429**

[58] Field of Search D9/428, 429, 424, 425,
D9/418, 341; D7/601, 602, 629, 630, 640, 641;
206/45.31, 45.34, 541, 45.32; 220/4.21, 4.24,
4.25, 556, 662, 669, 675; 229/2.5 R, 902, 906

[57] CLAIM

The ornamental design for the storage and display container for food, as shown and described.

[56] References Cited

U.S. PATENT DOCUMENTS

D. 93,461	10/1934	Vaulchier	D9/429
D. 195,699	7/1963	Bostrom	D9/429
D. 197,310	1/1964	Butzko	D9/429
D. 292,887	11/1987	Schouten	D9/424
D. 306,974	4/1990	Tholstrup	D9/424
3,690,902	9/1972	Dahl	206/45.32 X

DESCRIPTION

FIG. 1 is perspective view of a storage and display container for food showing my new design;
FIG. 2 is a top plan view thereof;
FIG. 3 is a side elevational view thereof;
FIG. 4 is a bottom plan view thereof; and,
FIG. 5 is a side elevational view thereof; roated 90 degrees in either direction from the position shown in FIG. 3.

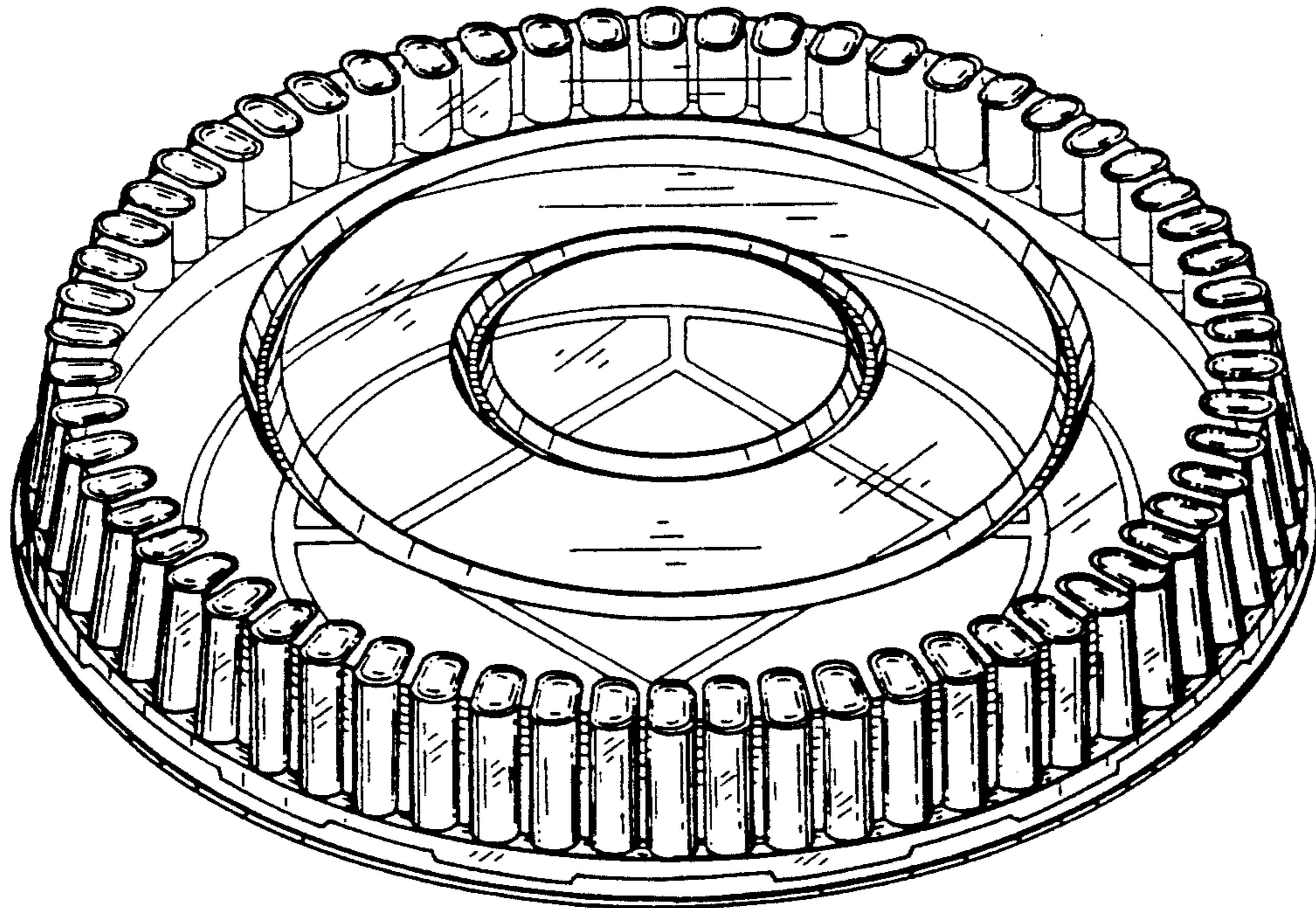


Fig.-1

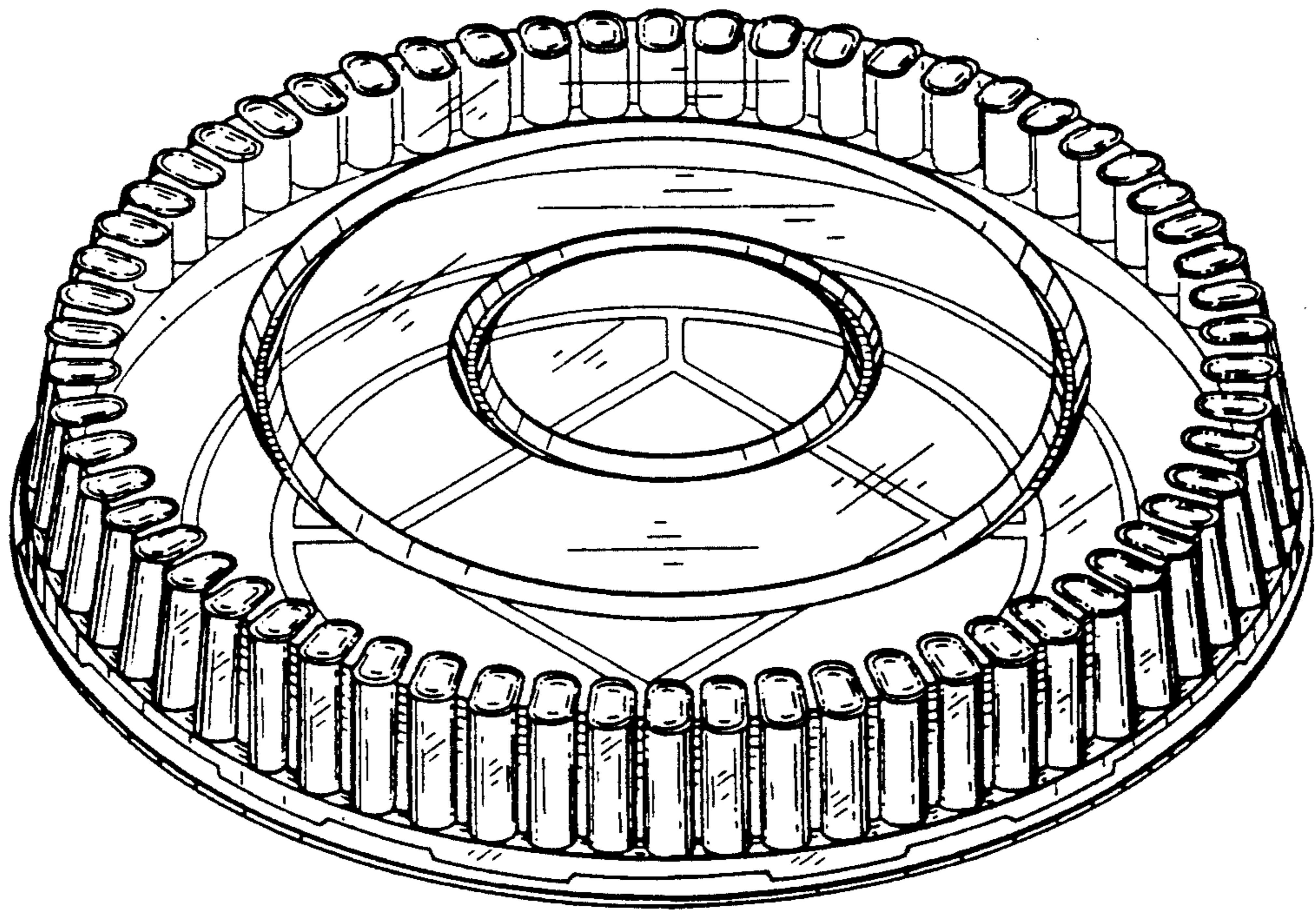


Fig.-2

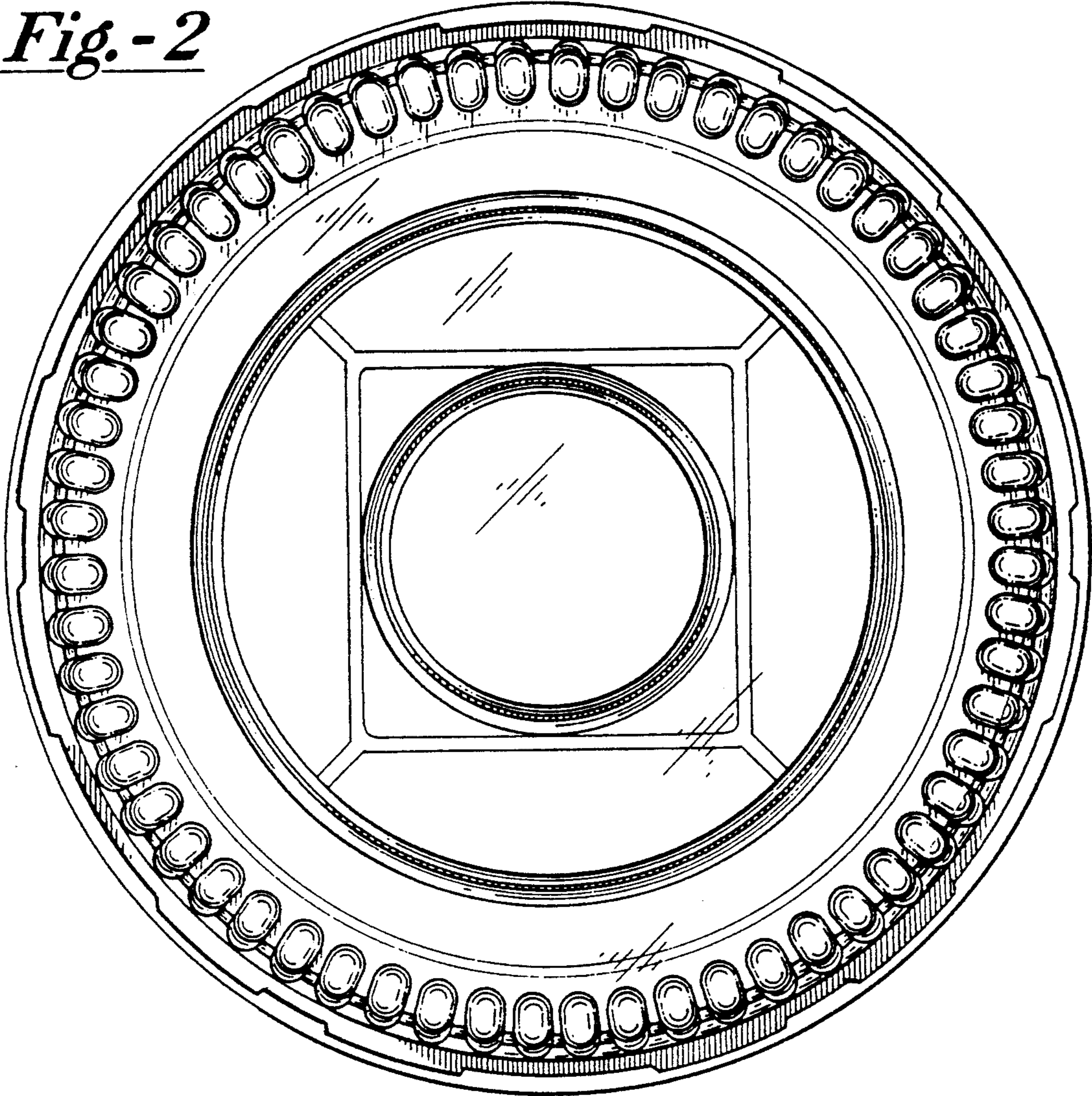


Fig.-3

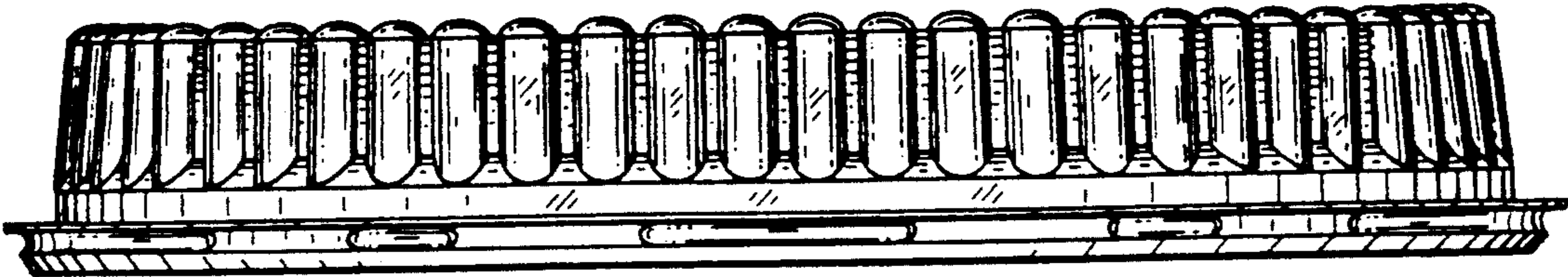


Fig.-4

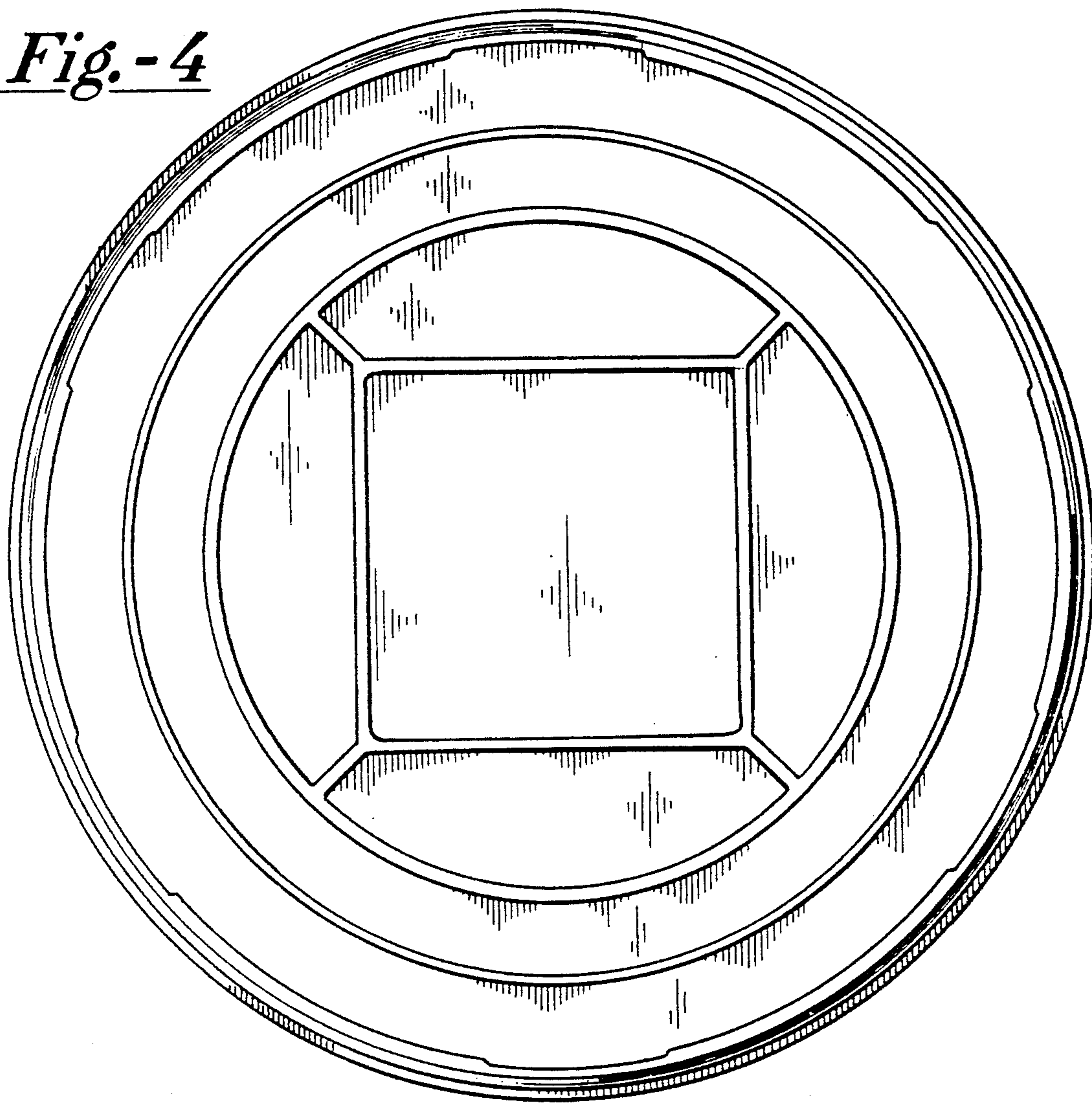


Fig.-5

