



US00D346553S

United States Patent [19]

[11] Patent Number: **Des. 346,553**

Akerlind

[45] Date of Patent: **** May 3, 1994**

[54] **DISPOSABLE PACKAGE**

4,848,648 7/1989 Eisman 229/120.17 X
5,039,003 8/1991 Gordon et al. 209/114 X

[75] Inventor: **Jan Akerlind, Stockholm, Sweden**

FOREIGN PATENT DOCUMENTS

[73] Assignee: **Eson Pac AB, Veddige, Sweden**

2659062 9/1991 France 229/125.29

[**] Term: **14 Years**

Primary Examiner—Bernard Ansher
Assistant Examiner—Prabhakar Deshmukh
Attorney, Agent, or Firm—Jacobson, Price, Holman & Stern

[21] Appl. No.: **778,327**

[22] Filed: **Oct. 21, 1991**

[52] U.S. Cl. **D9/346; D9/431; D9/433**

[57] CLAIM

[58] **Field of Search** D9/431, 430, 414, 346, D9/433, 423; 229/114, 113, 120.17, 125.28, 122, 117.23, 120.08, 120.16, 120.11, 125.26, 125.27, 125.29, 146-148; 206/44 K; D34/43, 44

The ornamental design for a disposable package, as shown and described.

DESCRIPTION

[56] References Cited

U.S. PATENT DOCUMENTS

D. 304,908 12/1989 Natori D9/423
2,591,548 4/1952 Inman 229/120.17
4,232,816 11/1980 Johnson et al. 229/146 X
4,266,713 5/1981 Maroszek 229/146
4,339,668 7/1982 Brauner 229/148 X

FIG. 1 is a top plan view of an unfolded disposable package showing my new design;
FIG. 2 is a perspective view thereof; shown in folded condition;
FIG. 3 is a top plan view thereof;
FIG. 4 is a bottom view thereof;
FIG. 5 is a left side view thereof; and,
FIG. 6 is a right side view thereof.
The dash lines represent fold lines.

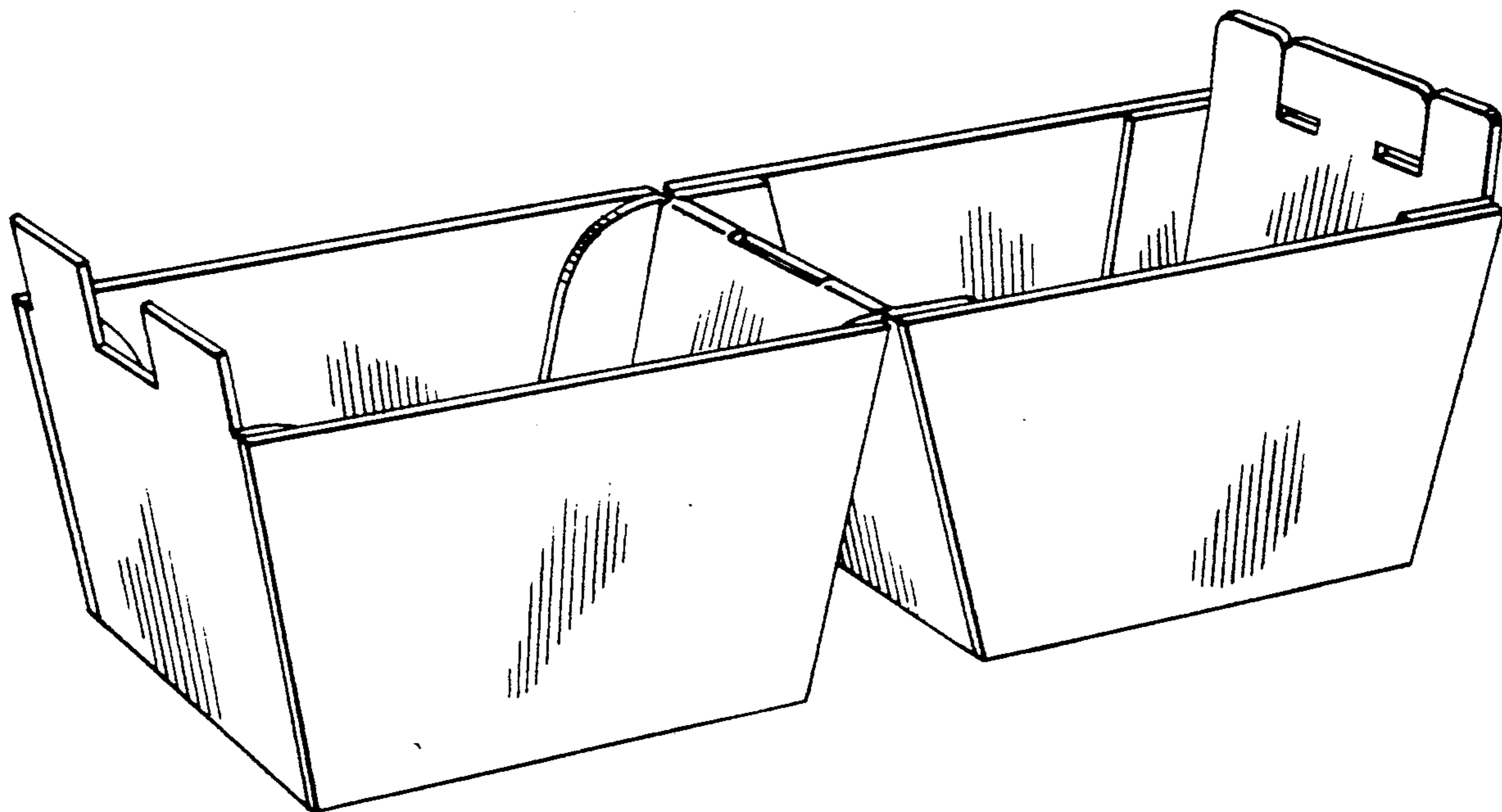


FIG. 1

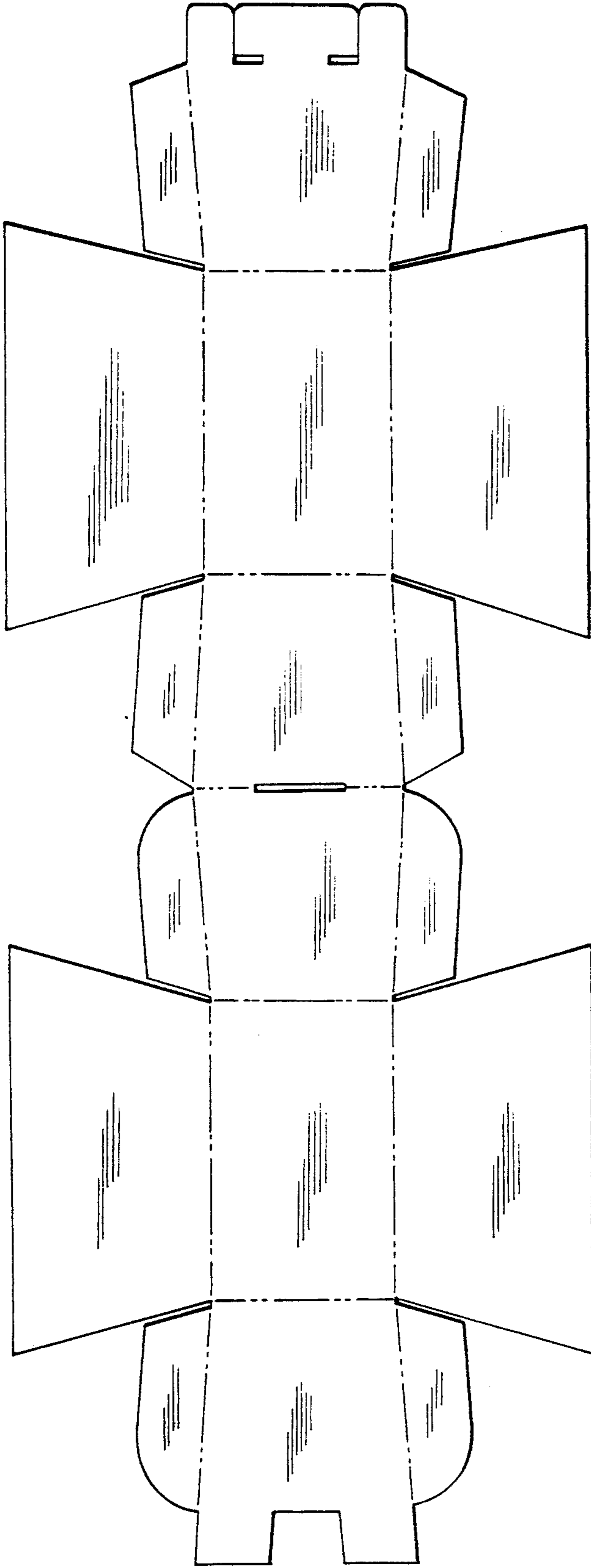


FIG. 6

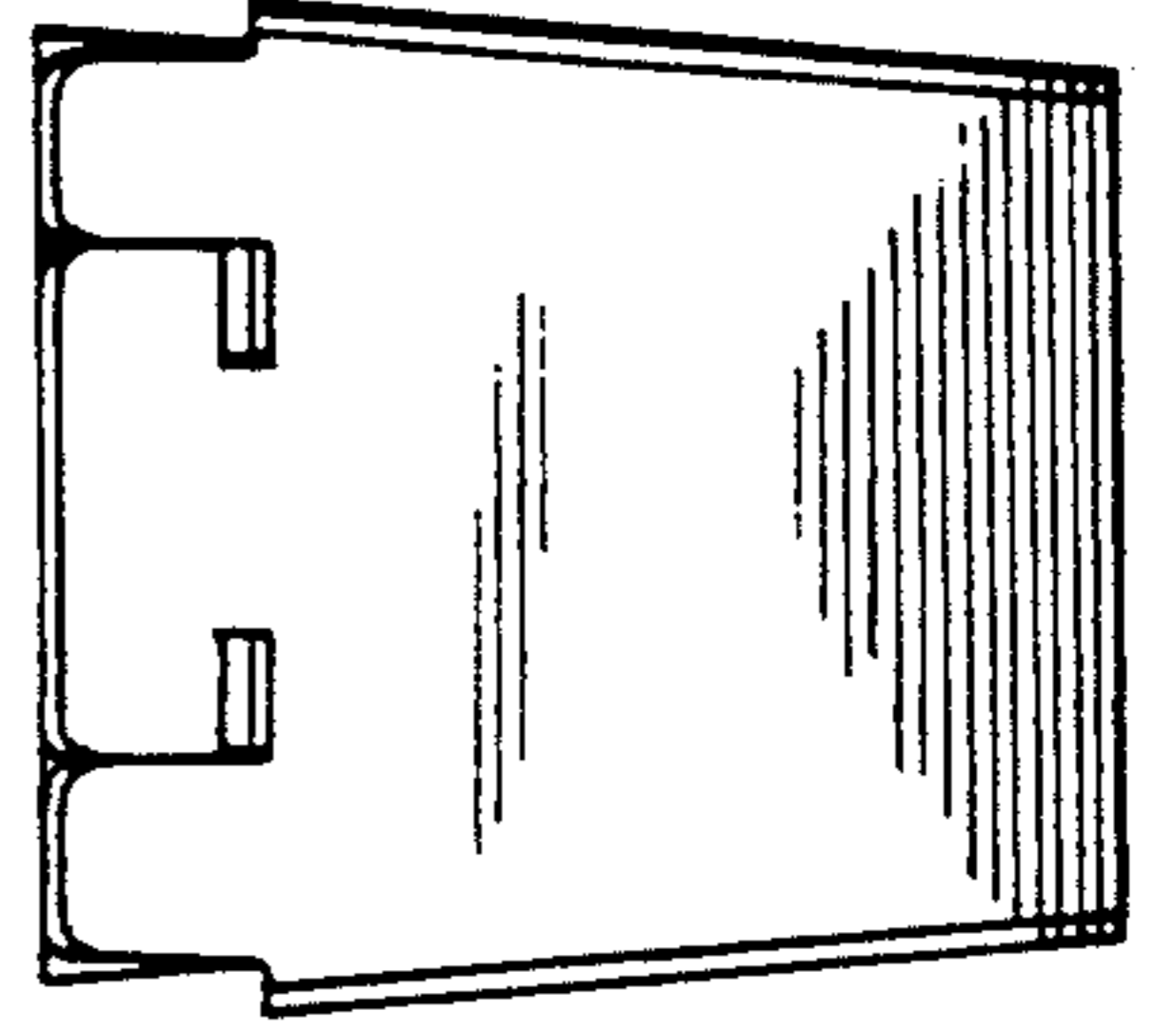


FIG. 5

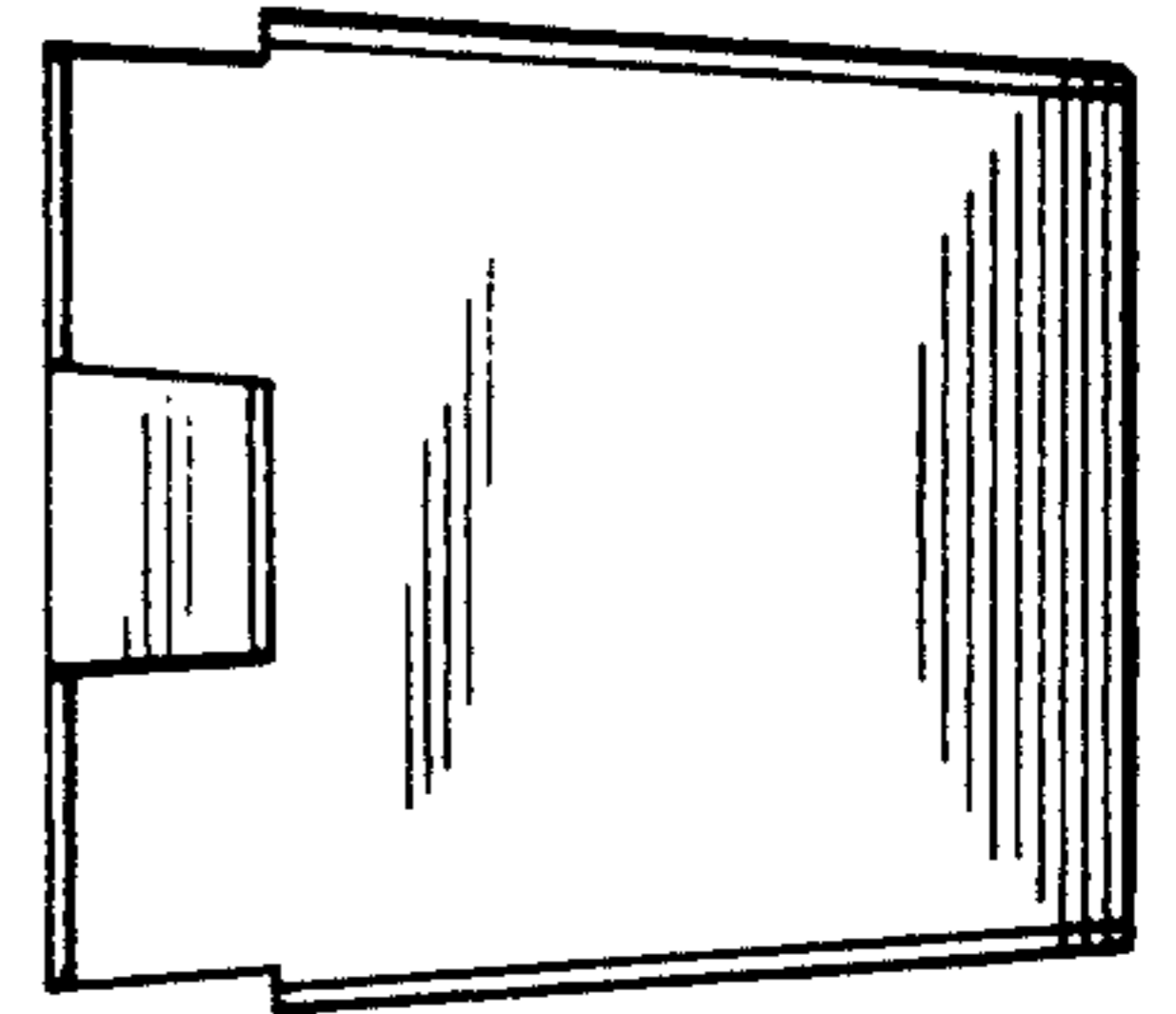


FIG. 2

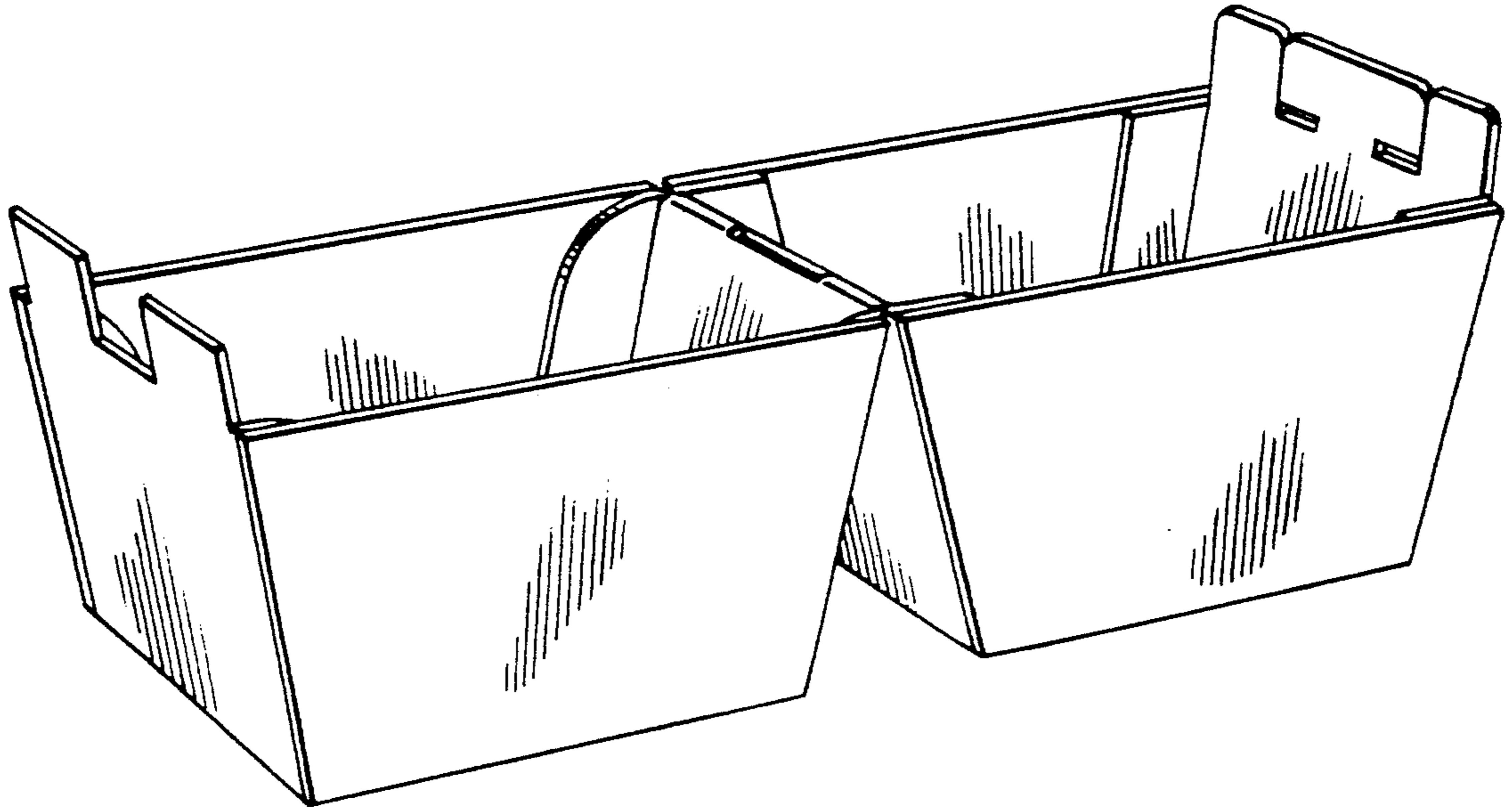


FIG. 3

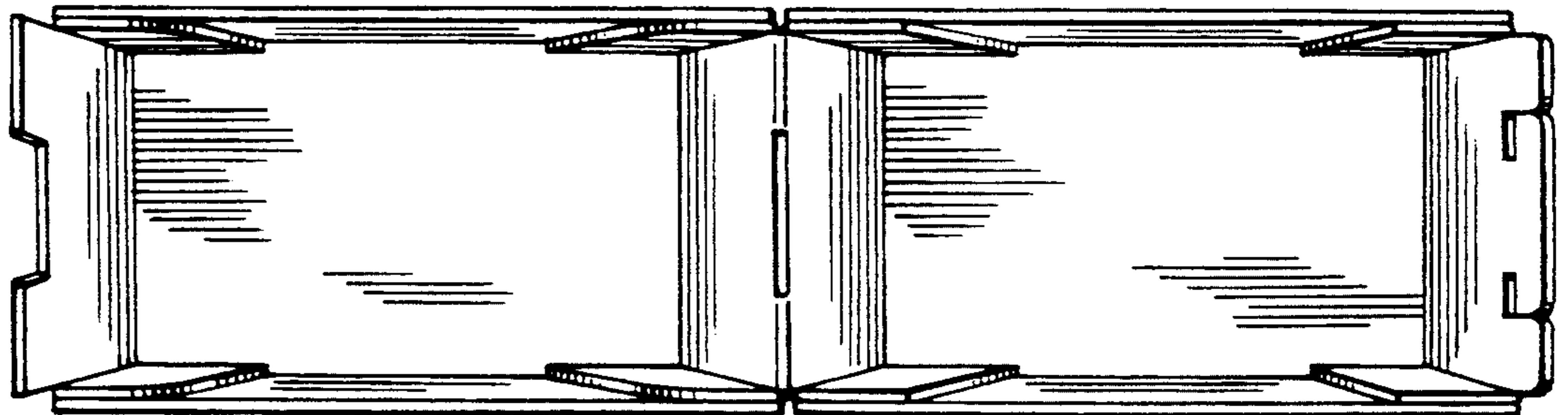


FIG. 4

