



US00D346552S

United States Patent [19]

[11] Patent Number: **Des. 346,552**

Krupa

[45] Date of Patent: **** May 3, 1994**

[54] **FRUIT CLAMSHELL CONTAINER**

5,094,355 3/1992 Clark et al. 220/4.23

[75] Inventor: **Calvin S. Krupa, Plymouth, Minn.**

OTHER PUBLICATIONS

[73] Assignee: **Ultra Pac, Inc., Rogers, Minn.**

Jewelers Circular Keystone, Jun. 1985, p. 49 item #17-4.

[**] Term: **14 Years**

Packaging, Nov. 1986, p. 22, top left of the page.

[21] Appl. No.: **5,991**

Primary Examiner—Prabhakar G. Deshmukh
Attorney, Agent, or Firm—Haugen and Nikolai

[22] Filed: **Mar. 16, 1993**

[52] U.S. Cl. **D9/341**

[57] **CLAIM**

[58] Field of Search D9/341, 347, 418, 420, D9/423, 424; 206/45.31, 45.34, 223, 541, 216; 229/2.5 R, 2.5 EC; 220/4.22, 4.23, 4.24, 4.25, 4.26, 4.27, 500, 556, 521, 23.8, 508

The ornamental design for fruit clamshell container, as shown and described.

DESCRIPTION

[56] **References Cited**

FIG. 1 is a perspective view of a fruit clamshell container showing my new design; FIG. 2 is a top plan view thereof; FIG. 3 is a side elevational view thereof; FIG. 4 is a bottom plan view thereof; FIG. 5 is a second side elevational view taken from a position directly opposite that of FIG. 3; and, FIG. 6 is another side elevational view from a position 90° in either direction from the view of FIG. 5.

U.S. PATENT DOCUMENTS

D. 251,104	2/1979	Sanchez et al.	D9/341 X
D. 255,574	6/1980	Carver	D9/341 X
D. 256,667	9/1980	Congleton	D9/341
3,125,275	3/1964	Ehe	220/23.8 X
3,961,708	6/1976	Von Dohlen et al.	229/2.5 R X
4,244,470	1/1981	Burnham	229/2.5 R X
4,779,794	10/1988	Moore	220/4.25 X

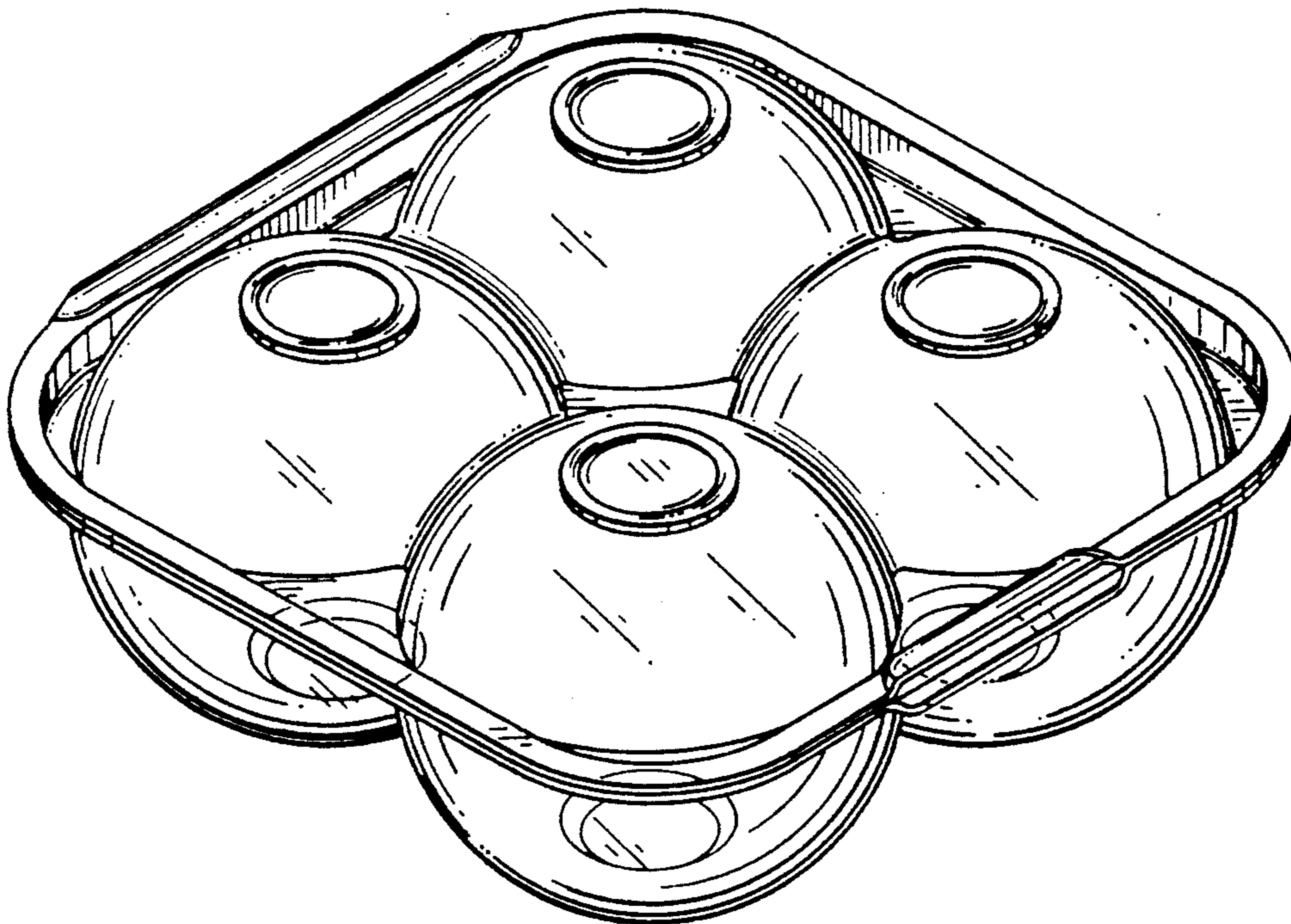
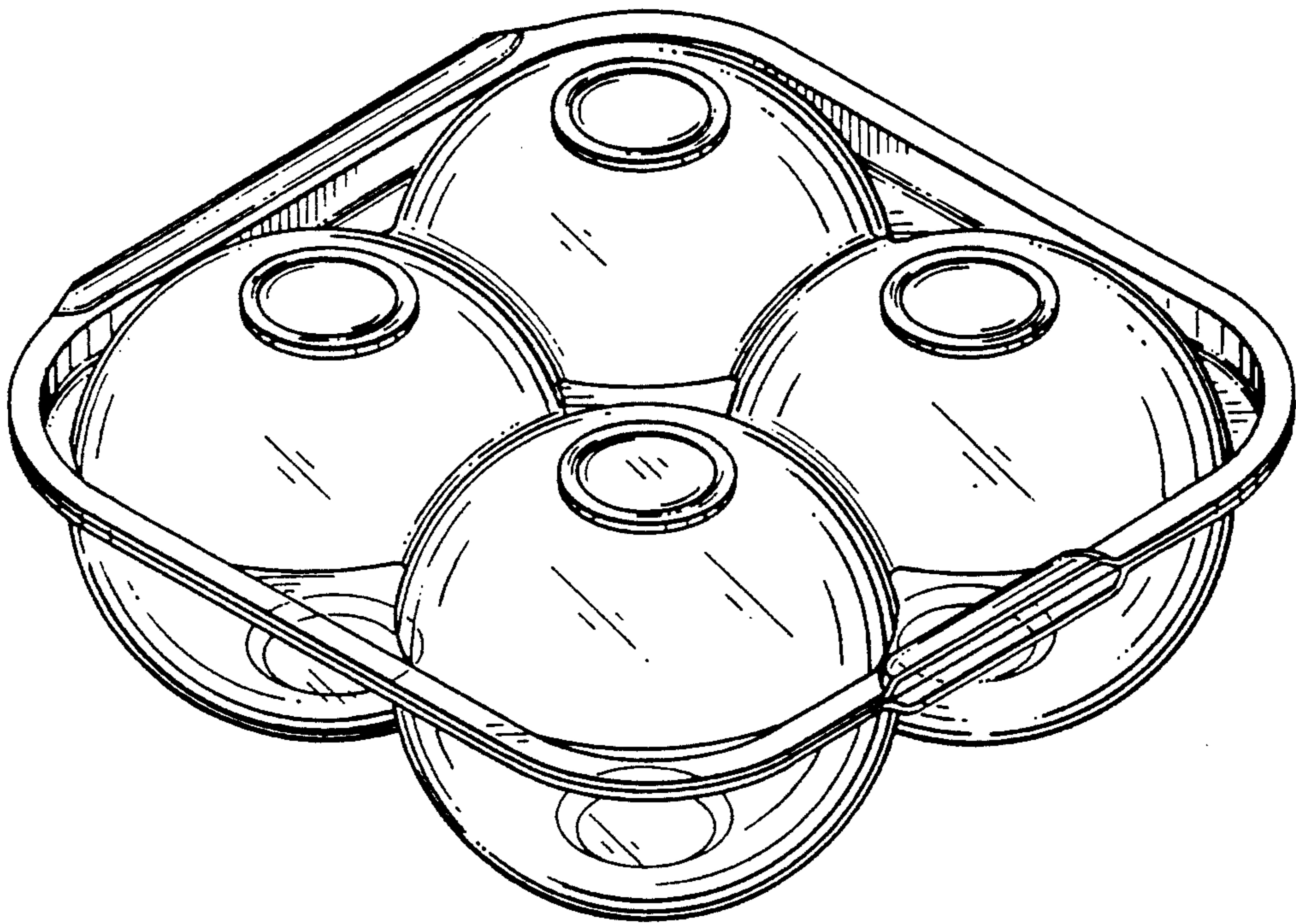


Fig.-1



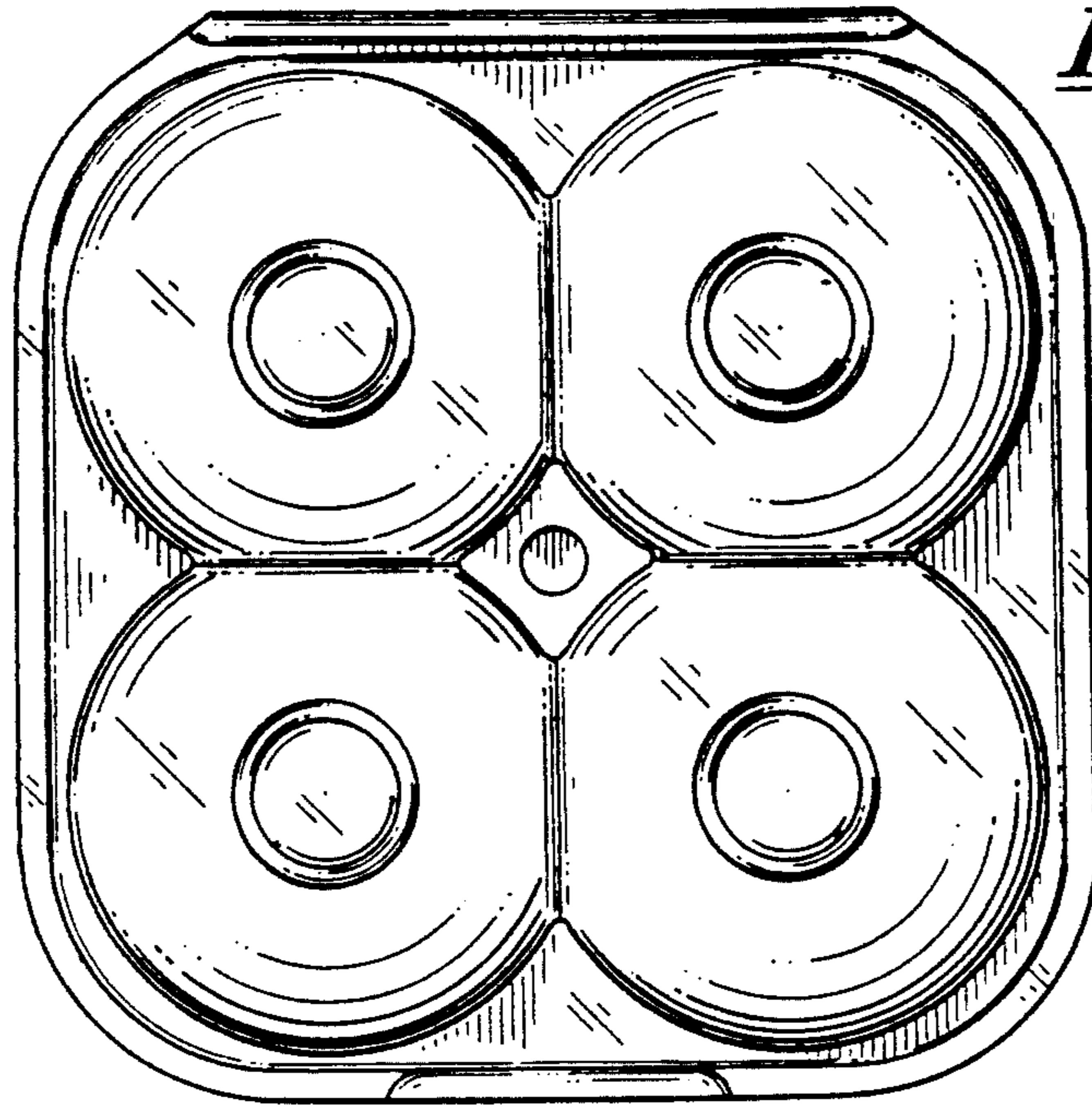


Fig.-2

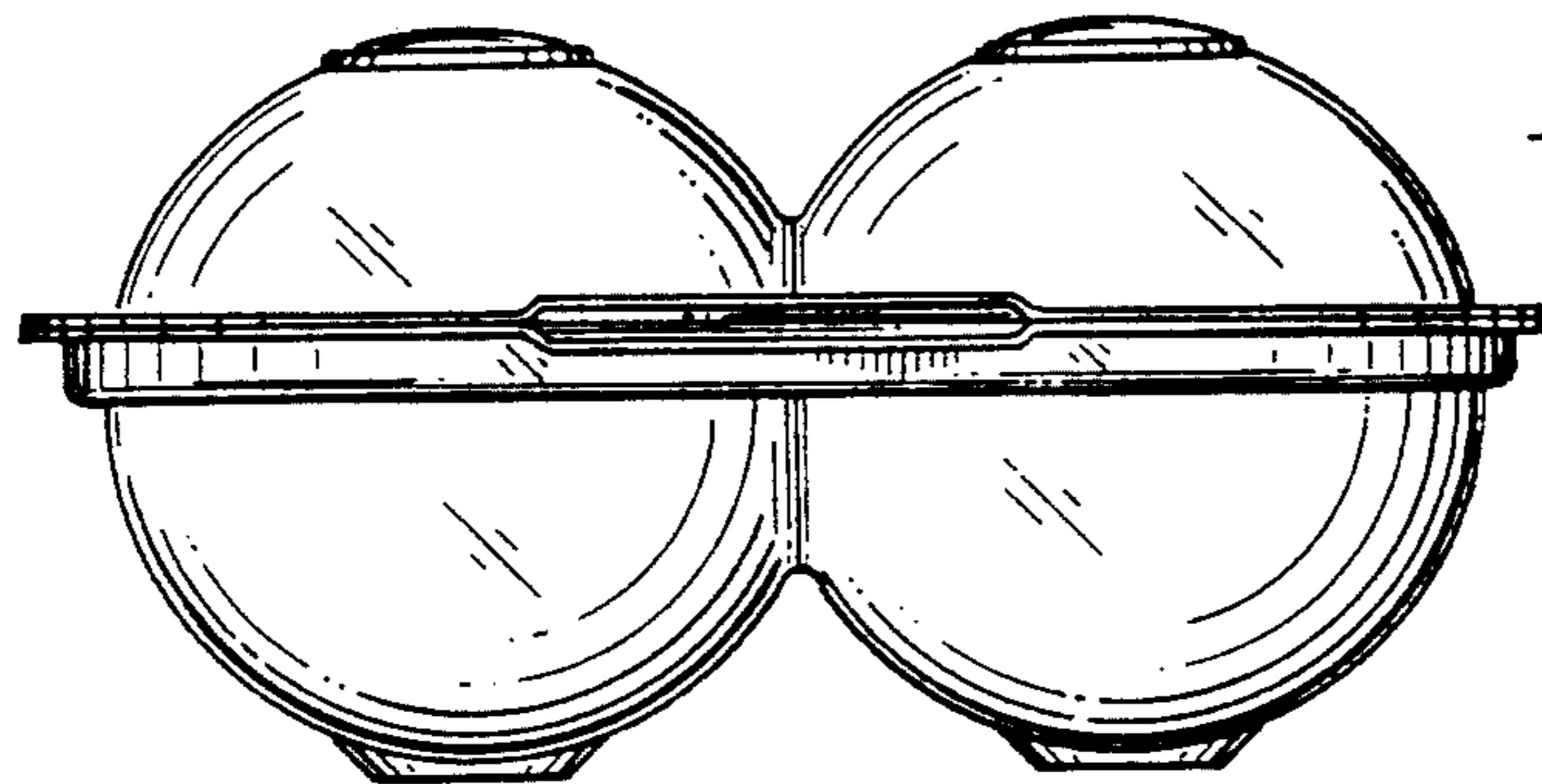


Fig.-3

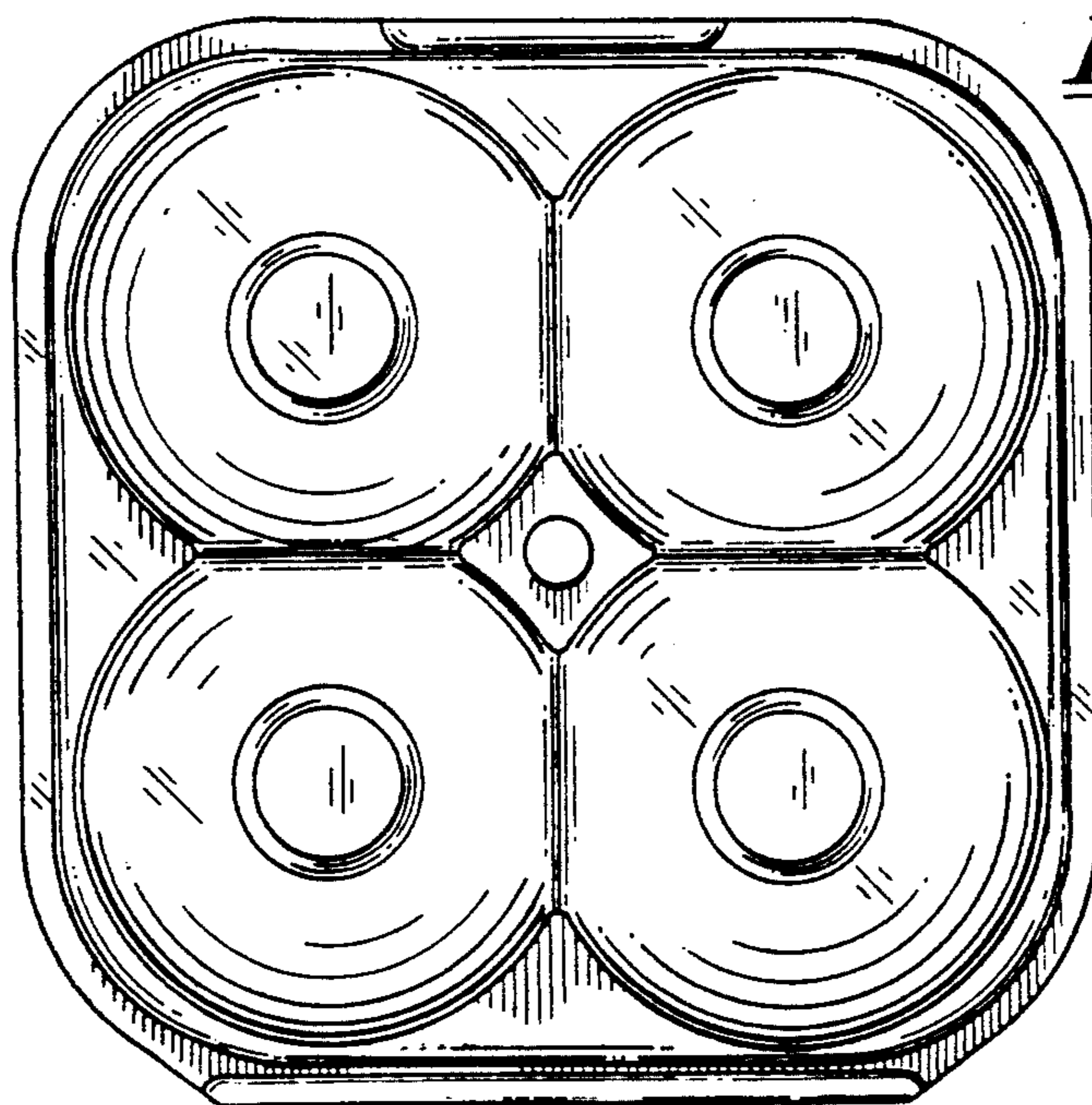


Fig.-4

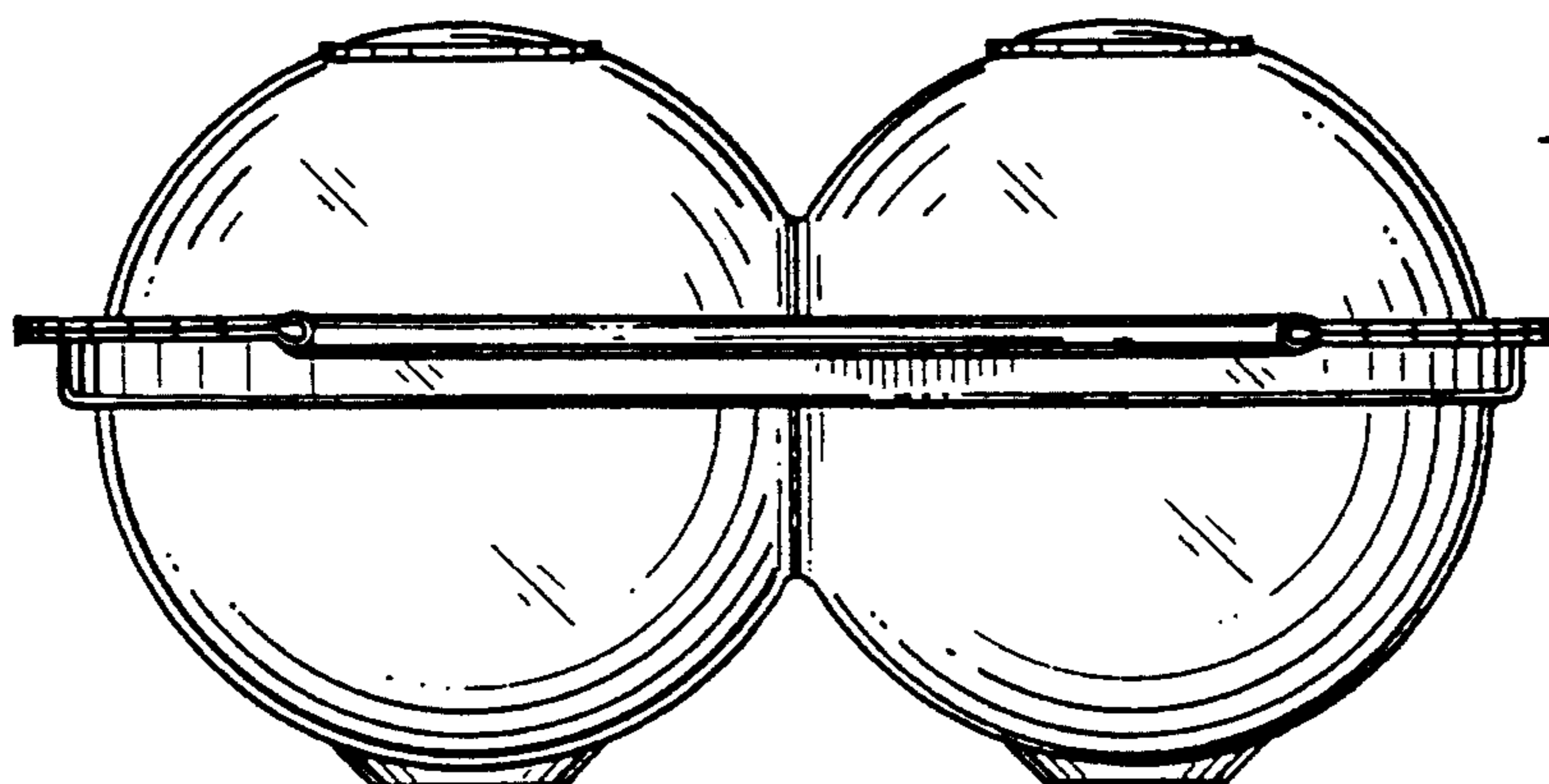


Fig.-5

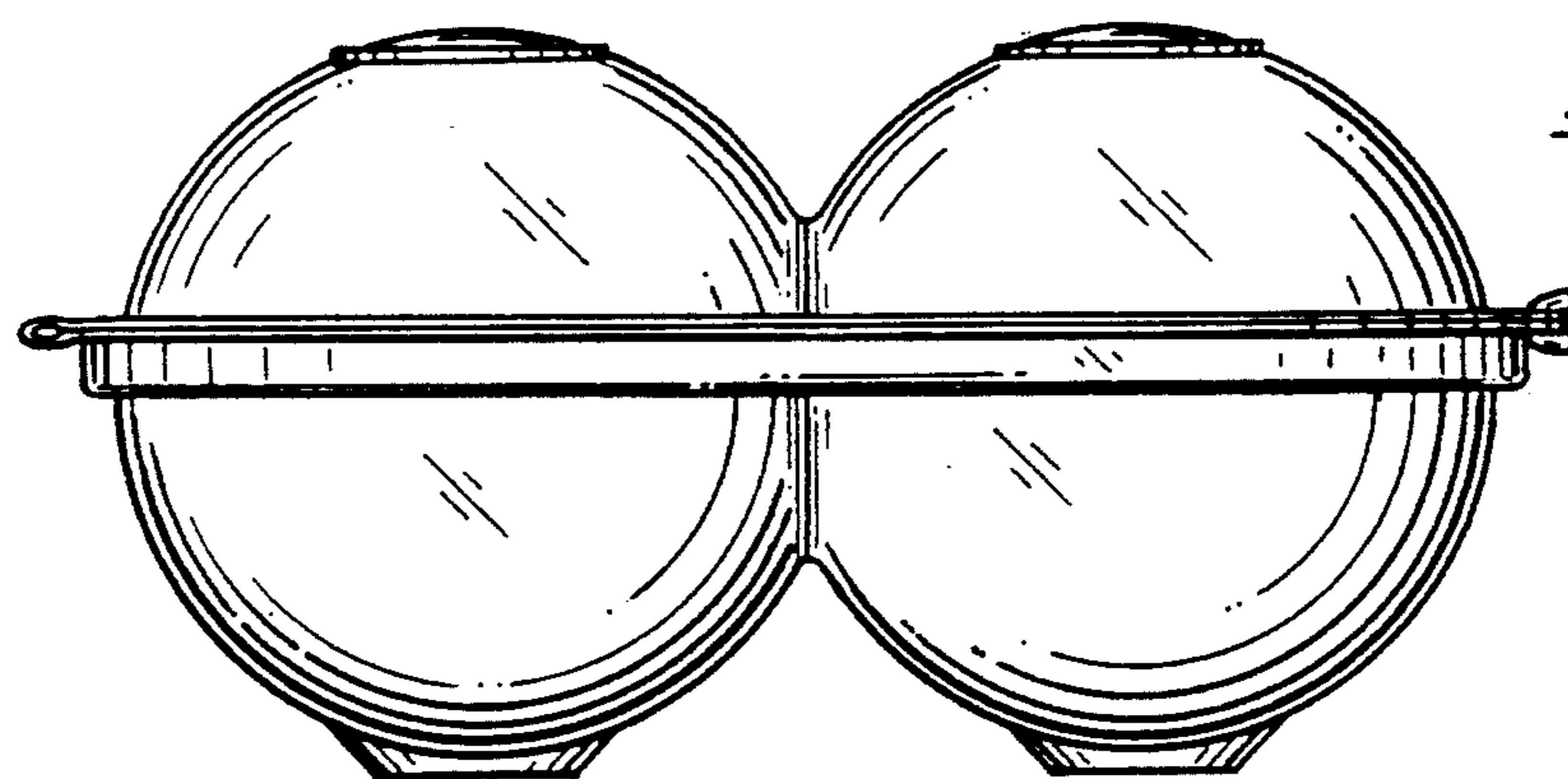


Fig.-6