



US00D346549S

United States Patent [19]
Smith

[11] **Patent Number: Des. 346,549**
[45] **Date of Patent: ** May 3, 1994**

[54] **DISPENSING CONTAINER**

[75] **Inventor: Robert C. Smith, Short Hills, N.J.**
[73] **Assignee: Unette Corporation, Parsippany, N.J.**
[**] **Term: 14 Years**
[21] **Appl. No.: 3,186**

[22] **Filed: Dec. 31, 1992**
[52] **U.S. Cl. D9/306; D9/302**
[58] **Field of Search D9/302, 305, 306, 345; 206/528, 469, 484; 222/107, 215, 474, 475, 527, 541; D24/115-117, 119**

[56] **References Cited**

U.S. PATENT DOCUMENTS

- D. 202,298 9/1965 Pickands D9/345
- D. 205,965 10/1966 Loesser D9/302 X
- D. 210,818 4/1968 Caliman D9/302 X
- D. 212,150 9/1968 Caliman D9/302 X
- D. 267,927 2/1983 Smith D9/302
- D. 278,120 3/1985 Grant et al. .
- D. 286,504 11/1986 Loesser et al. D9/302
- D. 316,668 5/1991 Wortley et al. .
- D. 318,795 8/1991 Christine .
- 3,200,996 8/1965 Picatti .

OTHER PUBLICATIONS

Modern Packaging; Sep. 1953; p. 187.
Packaging; Dec. 1985; p. 60.
Primary Examiner—Bernard Ansher
Assistant Examiner—M. Siegel
Attorney, Agent, or Firm—Mathews, Woodbridge & Collins

[57] **CLAIM**

An ornamental design for a dispensing container, as shown and described.

DESCRIPTION

FIG. 1 is a perspective view of a dispensing container showing my new design;
FIG. 2 is a top plan view thereof;
FIG. 3 is a front elevational view thereof;
FIG. 4 is a left side elevational view thereof;
FIG. 5 is a bottom plan view thereof;
FIG. 6 is a rear elevational view thereof;
FIG. 7 is a right side elevational view thereof;
FIG. 8 is a perspective view of a second embodiment of the dispensing container as FIG. 1;
FIG. 9 is a top plan view of FIG. 8;
FIG. 10 is a front elevational view of FIG. 8;
FIG. 11 is a left side elevational view of FIG. 8;
FIG. 12 is a bottom plan view of FIG. 8;
FIG. 13 is a rear elevational view of FIG. 8; and,
FIG. 14 is a right side elevational view of FIG. 8.

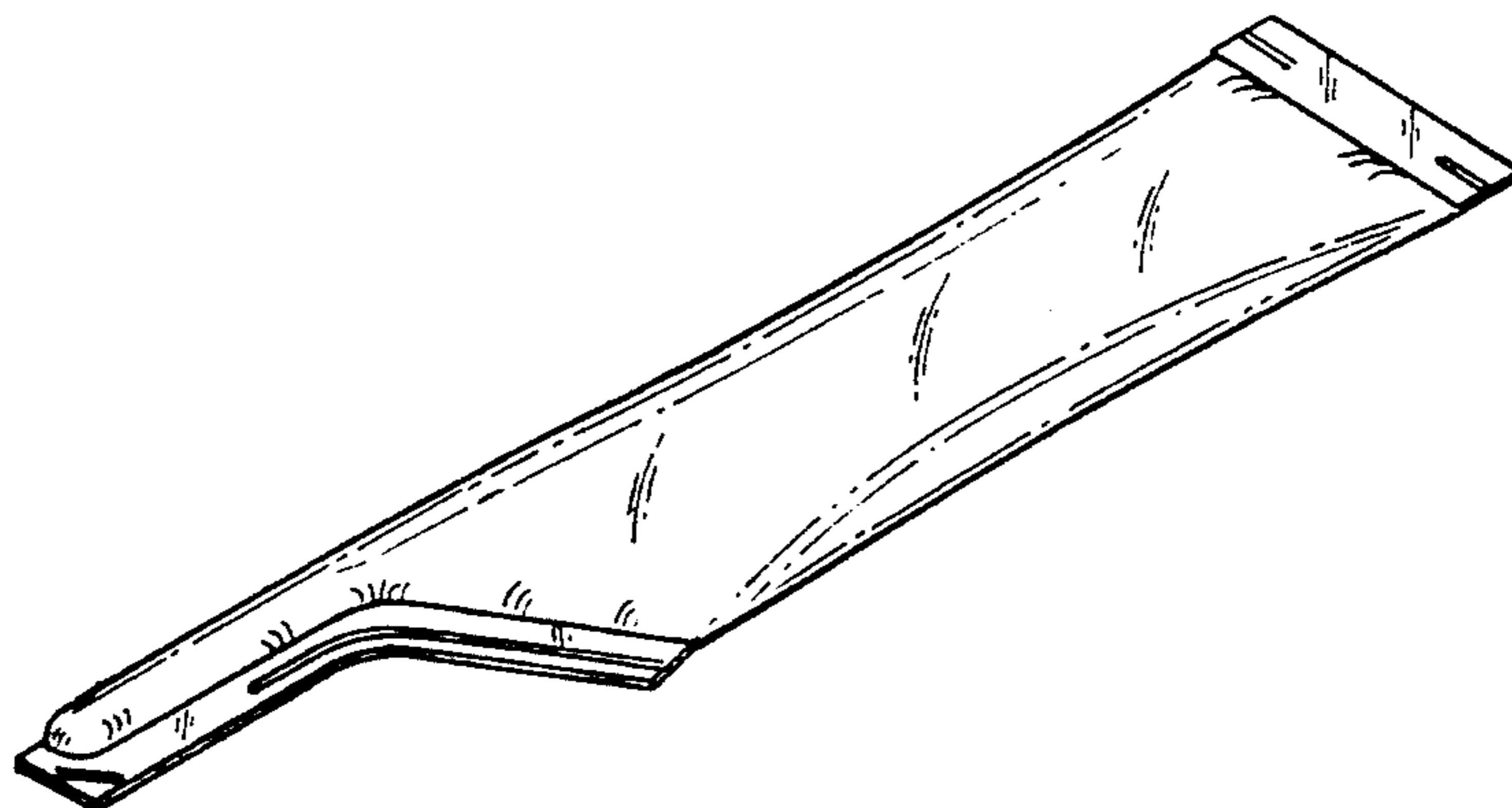


FIG. 1

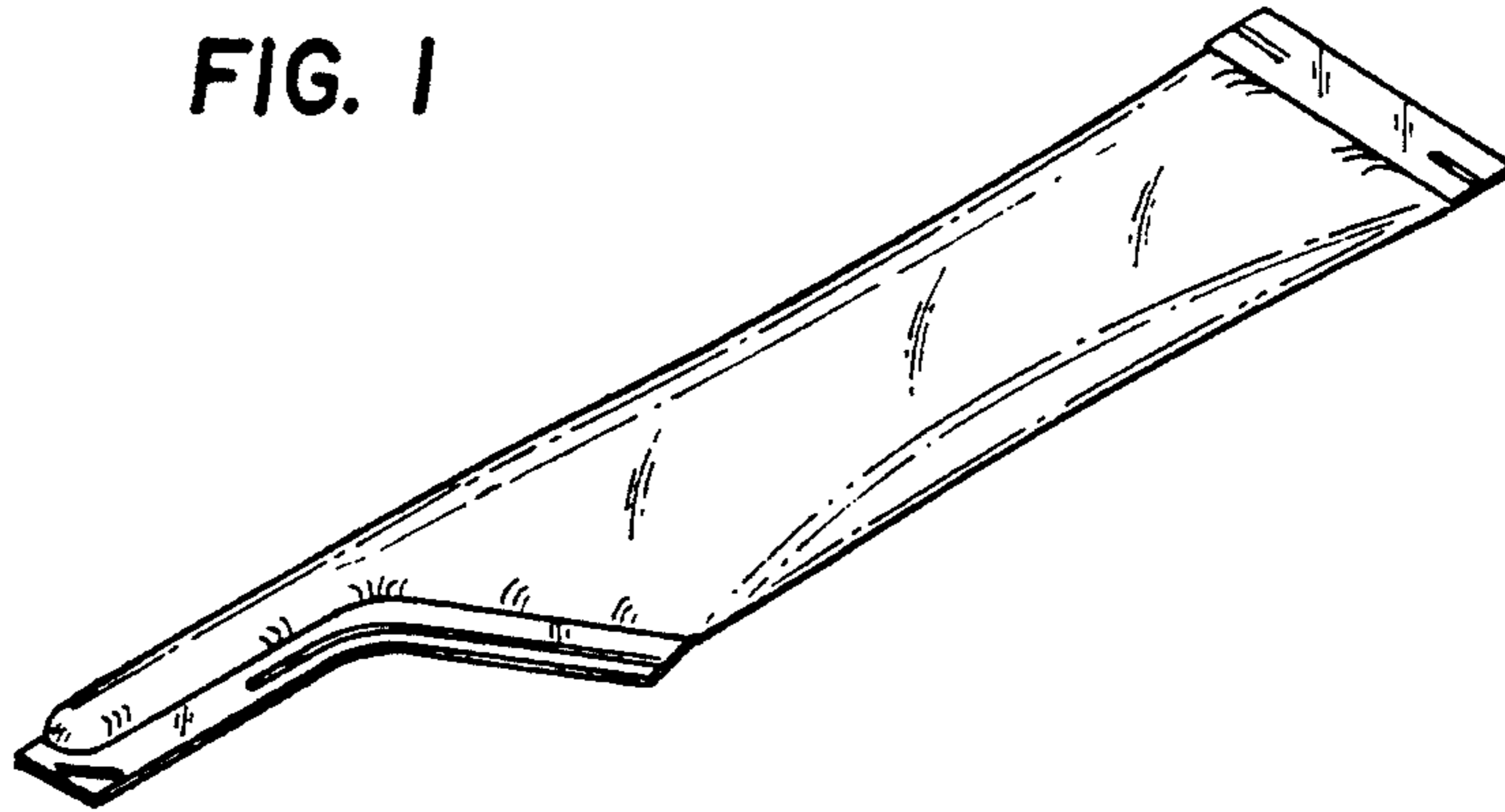


FIG. 2

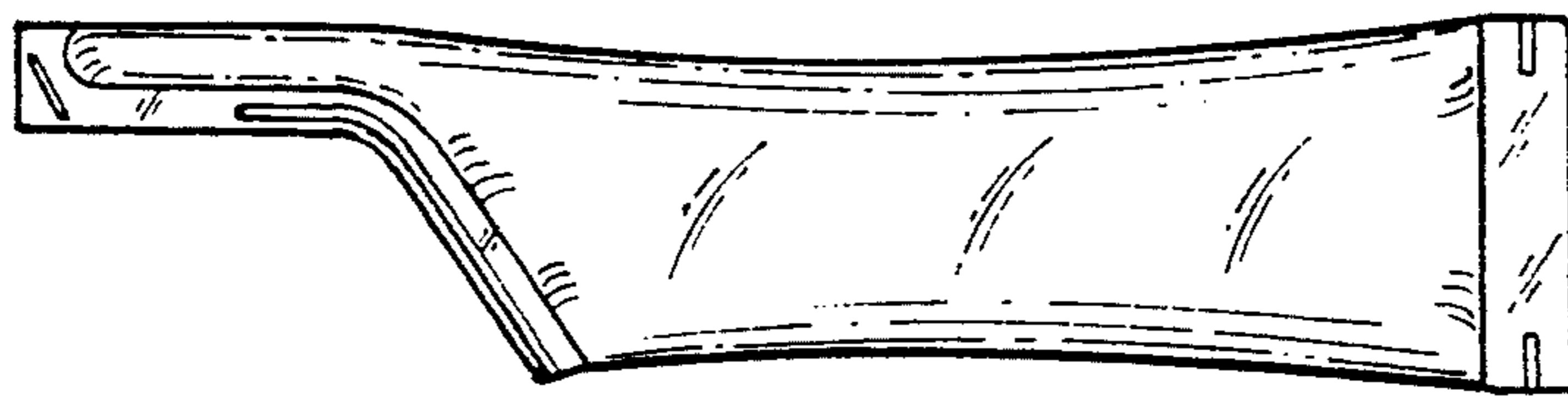


FIG. 3

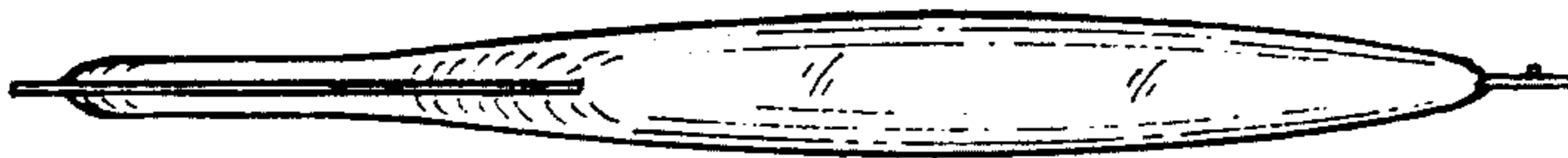


FIG. 4



FIG. 5

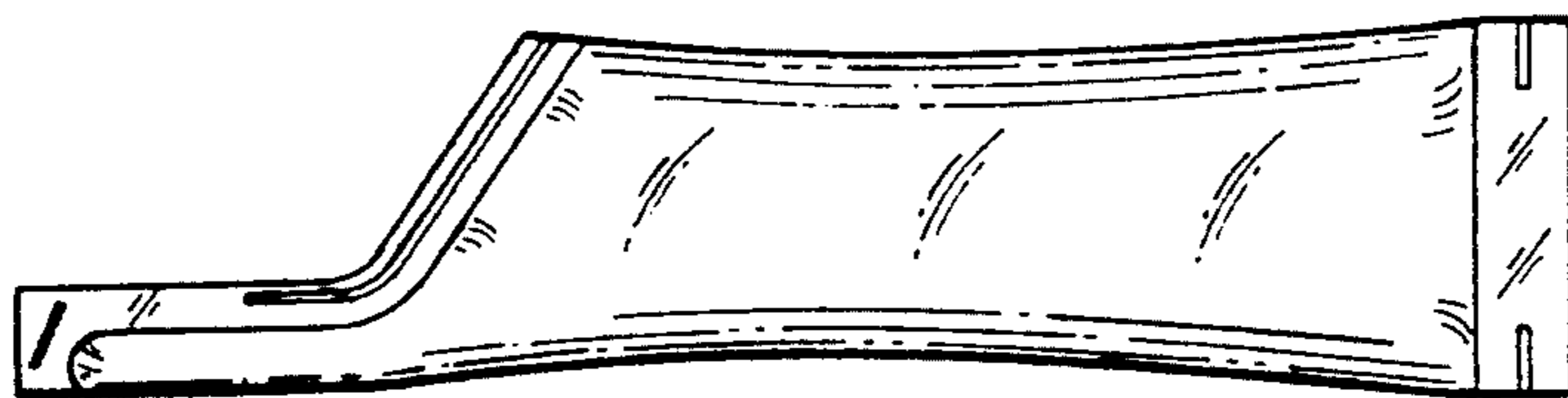


FIG. 6

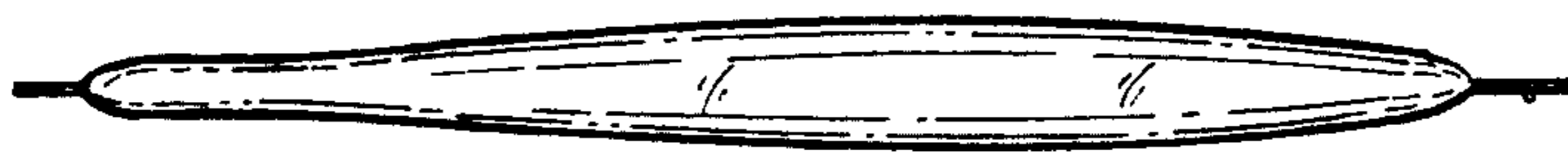


FIG. 7



FIG. 8

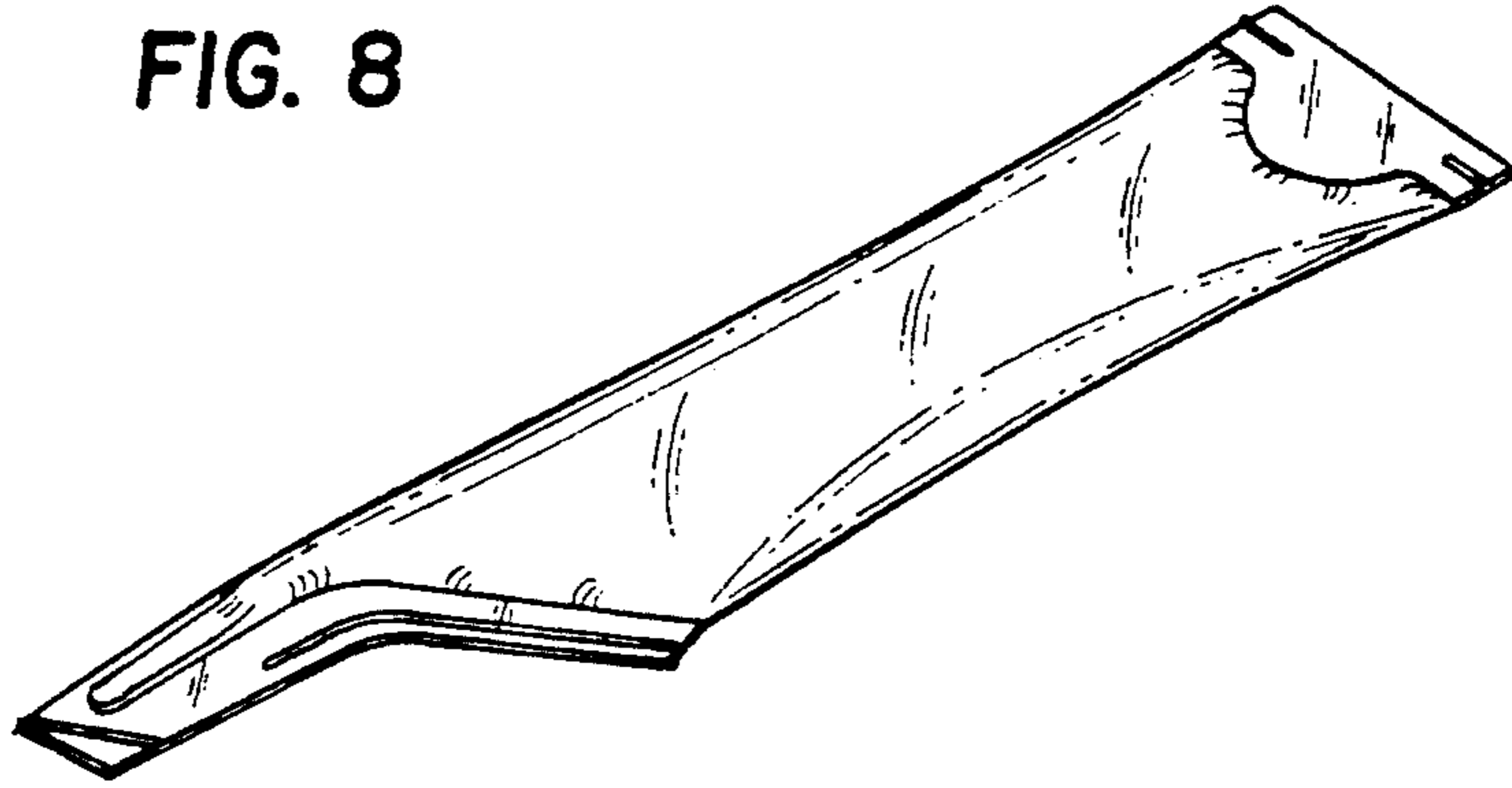


FIG. 9

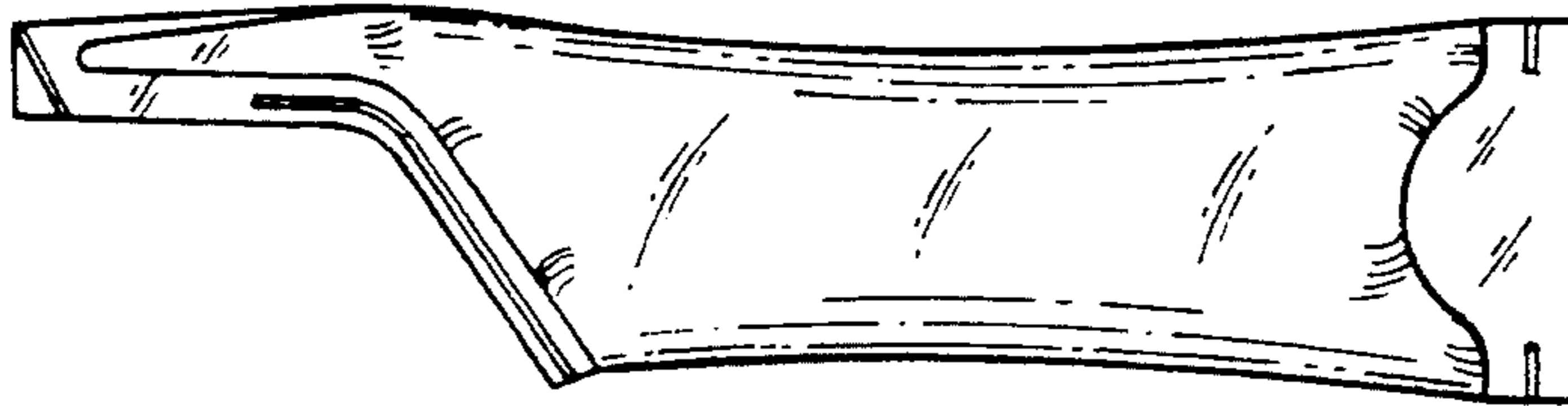


FIG. 10

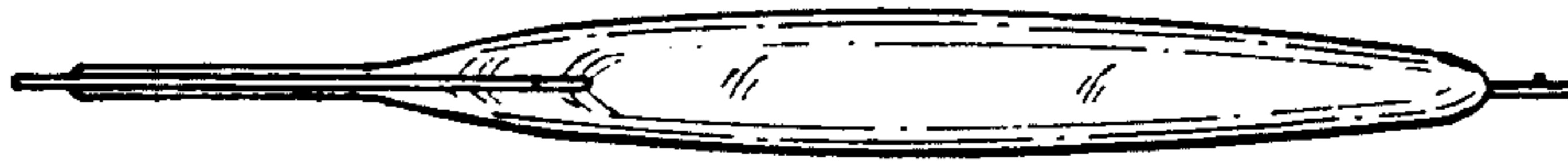


FIG. 11

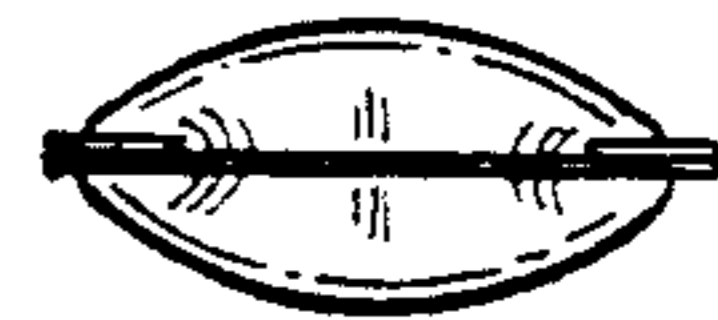


FIG. 12

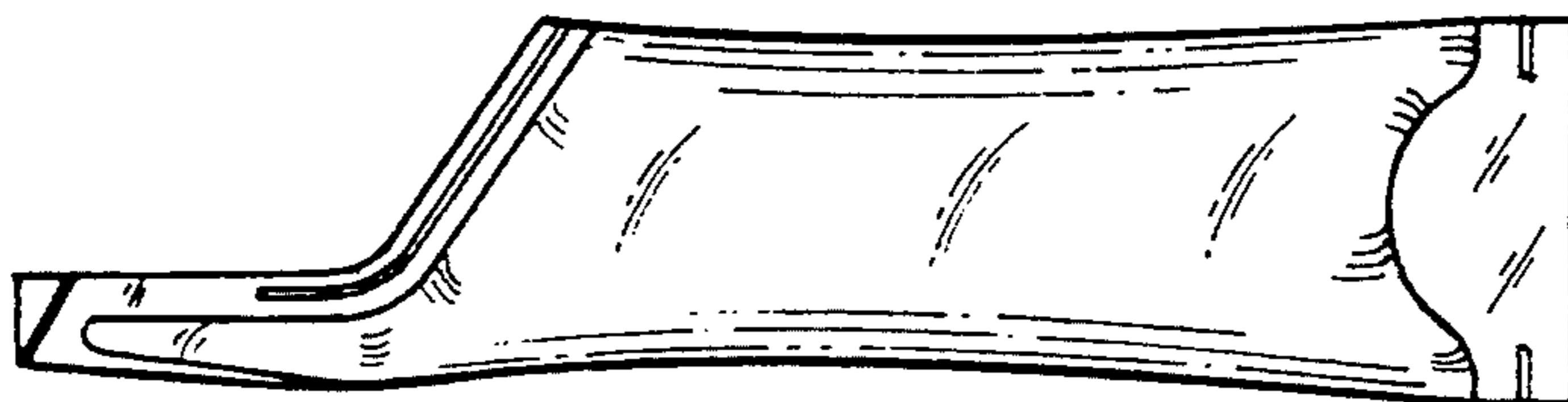


FIG. 13

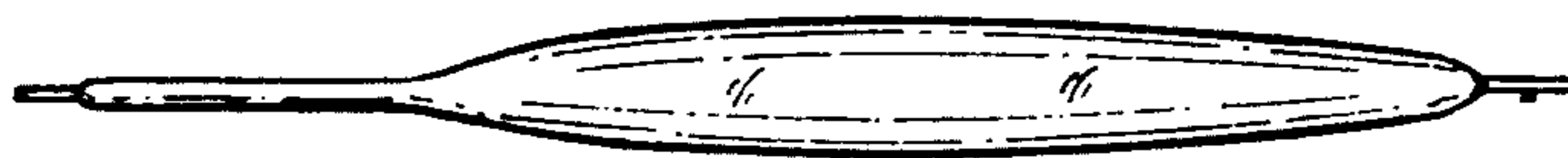


FIG. 14

